



US00D675676S

(12) **United States Design Patent**
Menchine et al.

(10) **Patent No.:** **US D675,676 S**
(45) **Date of Patent:** **** Feb. 5, 2013**

(54) **SPINE REGION OF A BINDER**

(75) Inventors: **Heather Menchine**, Huntington Beach, CA (US); **L. Sean Le**, Yorba Linda, CA (US); **Darren S. Ferris**, Portland, OR (US); **Linda Jensen Brys**, Long Beach, CA (US); **Henry H. Garcia**, Riverside, CA (US)

(73) Assignee: **Avery Dennison Corporation**, Pasadena, CA (US)

(**) Term: **14 Years**

(21) Appl. No.: **29/403,426**

(22) Filed: **Oct. 5, 2011**

Related U.S. Application Data

(63) Continuation-in-part of application No. 29/398,628, filed on Aug. 2, 2011, which is a continuation-in-part of application No. 29/376,742, filed on Oct. 11, 2010, now Pat. No. Des. 649,187.

(51) **LOC (9) Cl.** **19-04**

(52) **U.S. Cl.** **D19/32**

(58) **Field of Classification Search** D19/26-33, D19/75, 78, 86, 88; D3/247, 299, 303; 281/15.1, 281/19.1, 29, 31, 38, 51; 402/73, 79; 229/67.1, 229/67.4

See application file for complete search history.

(56) **References Cited**

U.S. PATENT DOCUMENTS

1,549,599 A	8/1925	Mragodanovitch	
D103,997 S *	4/1937	Mountney	D19/26
D158,869 S	6/1950	Kent	
D312,278 S	11/1990	Moor	
D313,619 S	1/1991	Moor	

(Continued)

OTHER PUBLICATIONS

Design registration dated Sep. 13, 2011 from related Canadian Application No. 139004.

(Continued)

Primary Examiner — T. Chase Nelson

Assistant Examiner — Kathleen M Sims

(74) *Attorney, Agent, or Firm* — Christie, Parker & Hale, LLP

(57) **CLAIM**

We claim the ornamental design for a spine region of a binder, as shown and described.

DESCRIPTION

FIG. 1 is a front perspective view of a spine region of a binder embodying our new design, with the binder in a closed configuration.

FIG. 2 is a back perspective view of the spine region of FIG. 1.

FIG. 3 is a front elevational view of the spine region of FIG. 1.

FIG. 4 is a back elevational view of the spine region of FIG. 1.

FIG. 5 is a top-edge plan view of the spine region of FIG. 1.

FIG. 6 is a bottom-edge plan view of the spine region of FIG. 1.

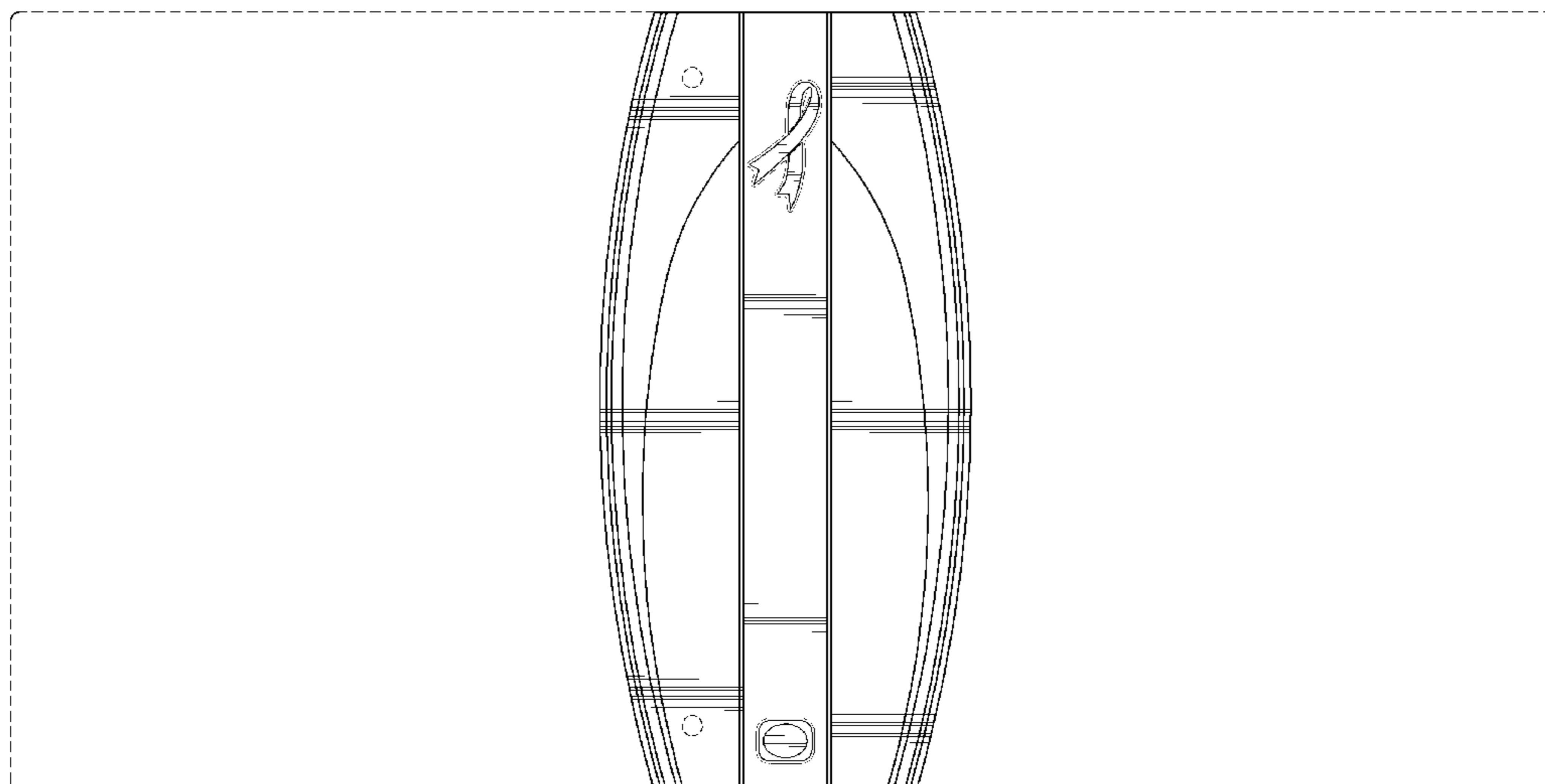
FIG. 7 is a left-side elevational view of the spine region of FIG. 1.

FIG. 8 is a right-side elevational view of the spine region of FIG. 1; and,

FIG. 9 is an elevational view of the outside surface of the spine region of FIG. 1, with the binder in an open configuration.

The dashed lines in the figures are for purposes of illustrating environmental structure that forms no part of the claimed design.

1 Claim, 6 Drawing Sheets



US D675,676 S

Page 2

U.S. PATENT DOCUMENTS

5,015,011 A 5/1991 York
D319,659 S 9/1991 Moor
D333,318 S 2/1993 York
D352,309 S 11/1994 Gresham et al.
D352,604 S 11/1994 Johnson
D406,697 S 3/1999 Moor
D414,801 S 10/1999 Karten et al.
6,030,140 A * 2/2000 Karten et al. 402/73
D424,615 S 5/2000 Wyant
D429,497 S 8/2000 Wyant
D435,591 S 12/2000 Wyant
D459,391 S 6/2002 Huang
6,412,819 B1 7/2002 Paine et al.
D476,682 S 7/2003 Berry et al.
D478,349 S 8/2003 Capaci
D478,623 S 8/2003 Wilburn
D486,854 S 2/2004 Wehmeyer et al.
D493,483 S 7/2004 Wehmeyer et al.
D502,502 S 3/2005 Brann
D504,463 S 4/2005 Wehmeyer
D509,848 S 9/2005 Whittington et al.
D510,949 S 10/2005 Whittington et al.
D569,426 S 5/2008 Stockstill et al.
D570,409 S 6/2008 Smith et al.
D574,889 S 8/2008 Stockstill et al.
D576,673 S 9/2008 Petrie et al.
D577,382 S 9/2008 Stockstill et al.
D577,767 S 9/2008 Stockstill et al.
D584,049 S 1/2009 Uzelac
D586,390 S 2/2009 Stockstill et al.
D588,635 S 3/2009 Stockstill et al.
D591,343 S 4/2009 Hussey et al.

D594,057 S 6/2009 Hussey et al.
D606,585 S 12/2009 Lapsker
D618,277 S 6/2010 Baker et al.
7,762,589 B2 7/2010 Hough et al.
D656,189 S * 3/2012 DeCarlo D19/27

OTHER PUBLICATIONS

Notice of allowance dated Dec. 29, 2011 from related Canadian Application No. 139004.
CPA and amendment dated Aug. 20, 2012 from related U.S. Appl. No. 29/398,628.
Petition decision dated Oct. 4, 2011 from U.S. Appl. No. 29/376,742.
Notice of allowance dated Dec. 29, 2011 from U.S. Appl. No. 29/398,628.
Notice of allowance dated May 10, 2012 from U.S. Appl. No. 29/398,628.
Office Action dated May 22, 2012 from Canadian Patent Application No. 144240.
Notice of allowance dated May 2, 2011 from prior U.S. Appl. No. 29/376,742.
Notice of abandonment dated Aug. 17, 2011 from prior U.S. Appl. No. 29/376,742.
Petition to revive dated Aug. 26, 2011 from prior U.S. Appl. No. 29/376,742.
Office action dated Feb. 21, 2011 from related Canadian Application No. 139004.
Amendment dated Jun. 16, 2011 from related Canadian Application No. 139004.

* cited by examiner

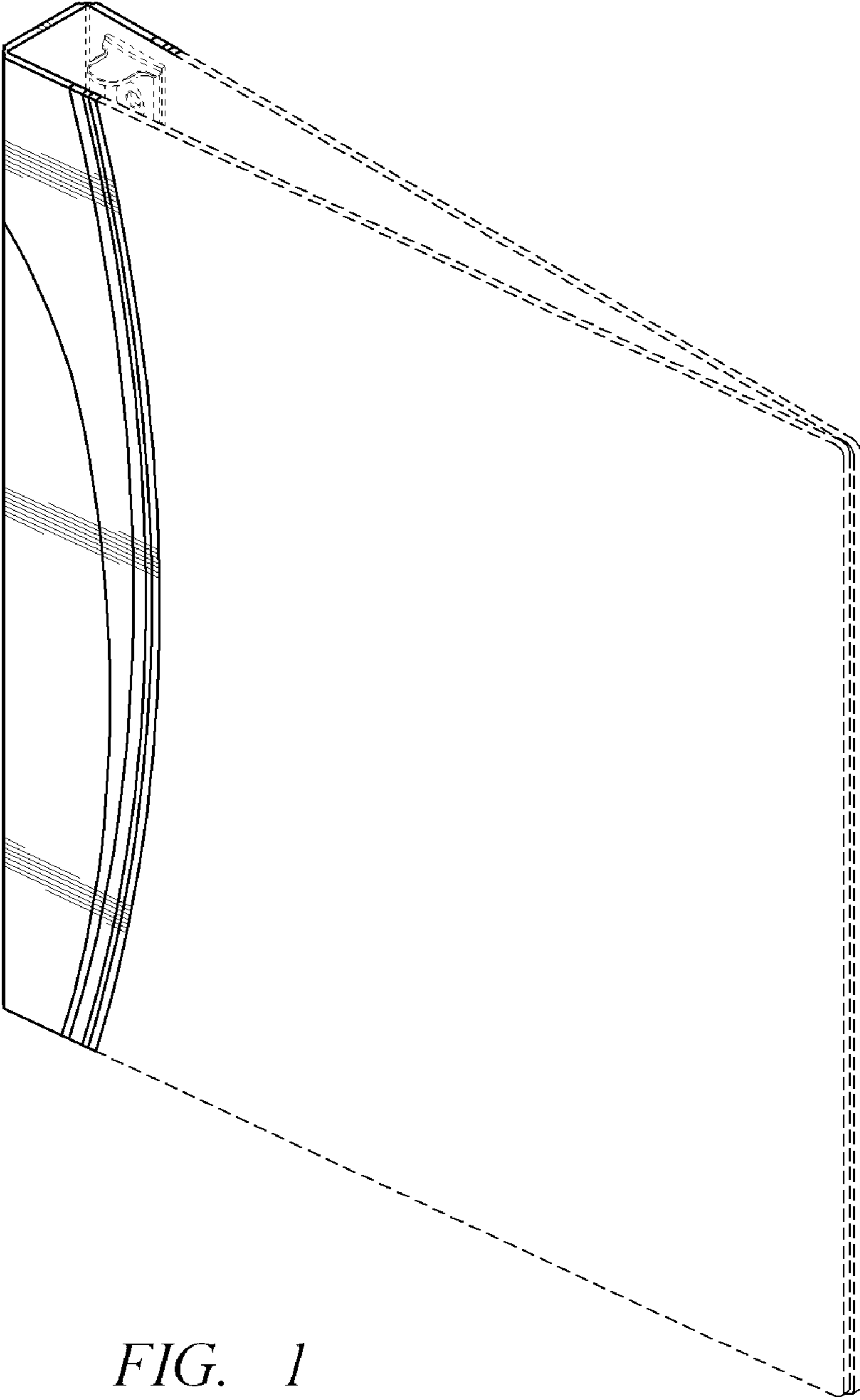


FIG. 1

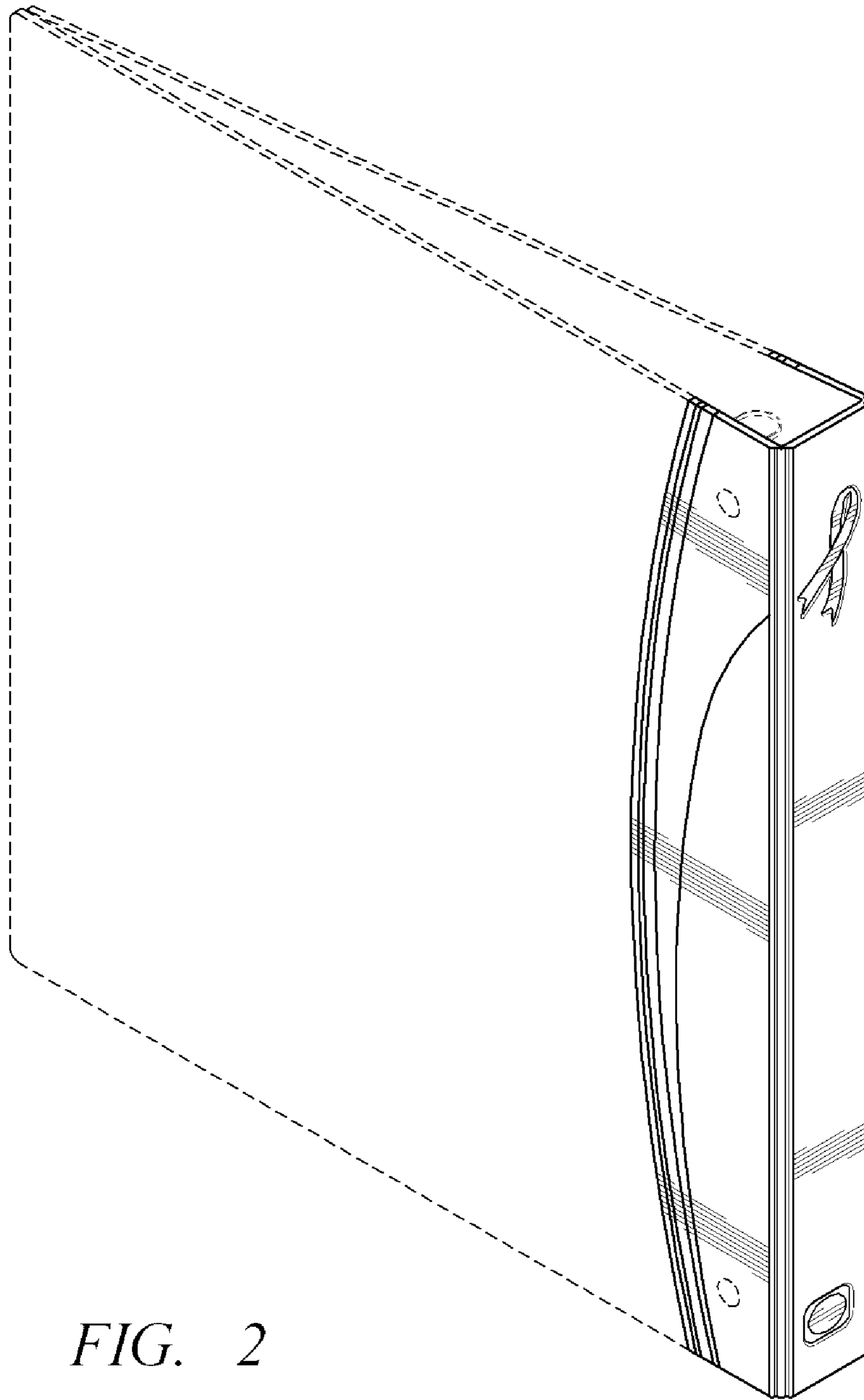


FIG. 2

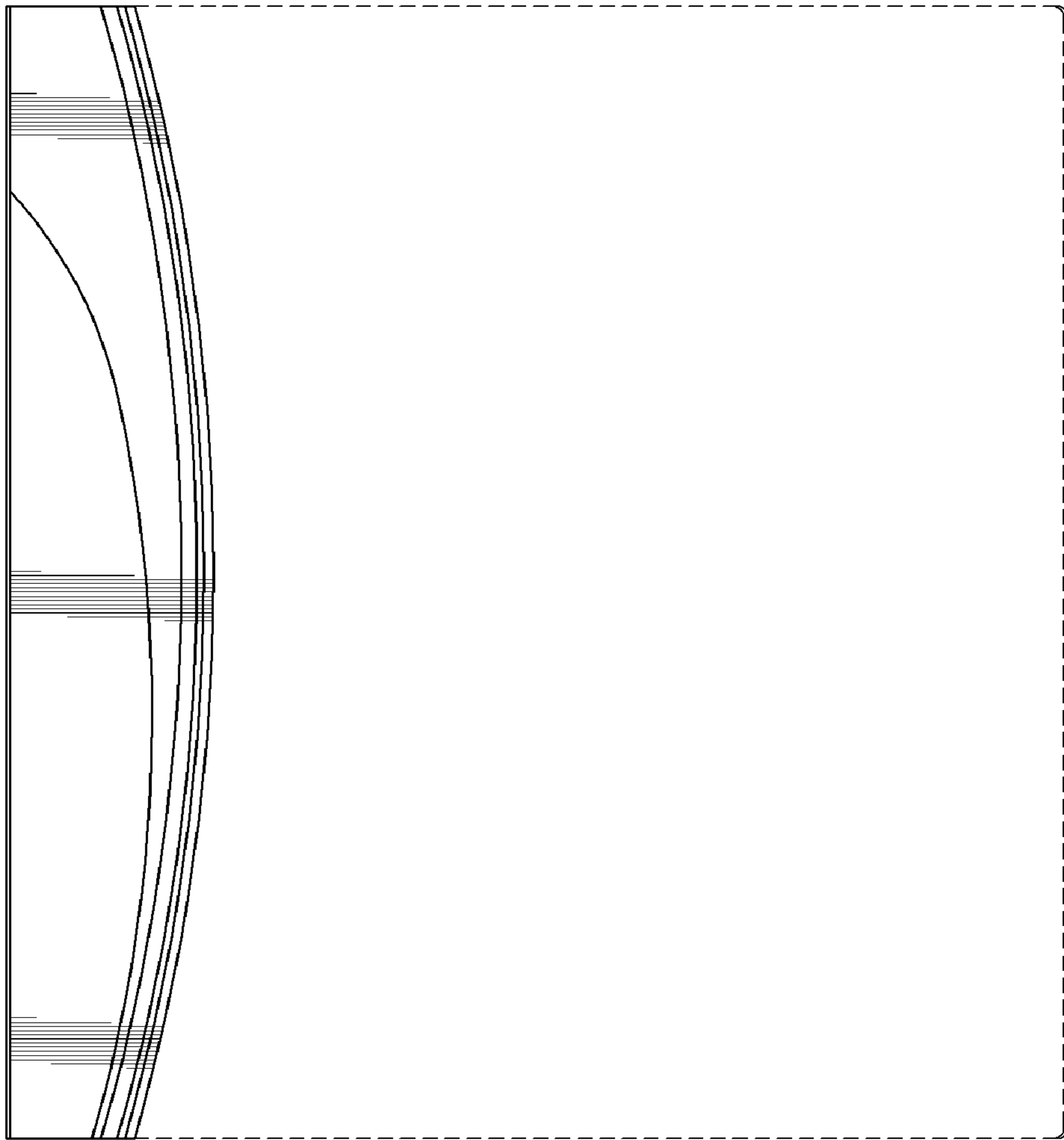


FIG. 3

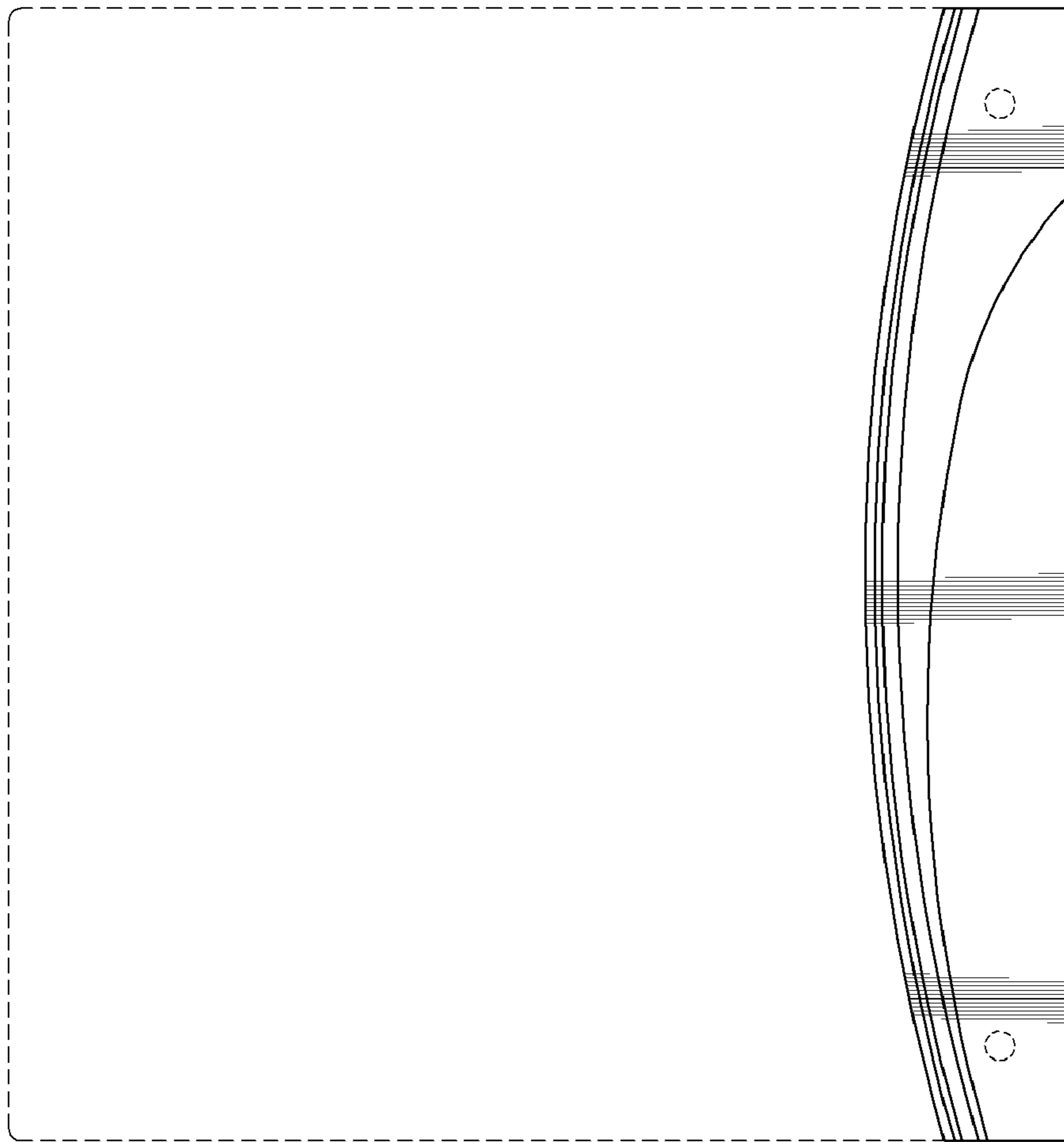


FIG. 4

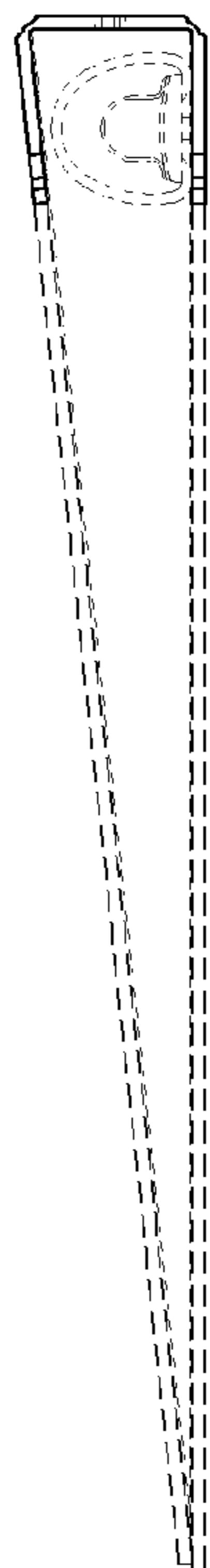


FIG. 5

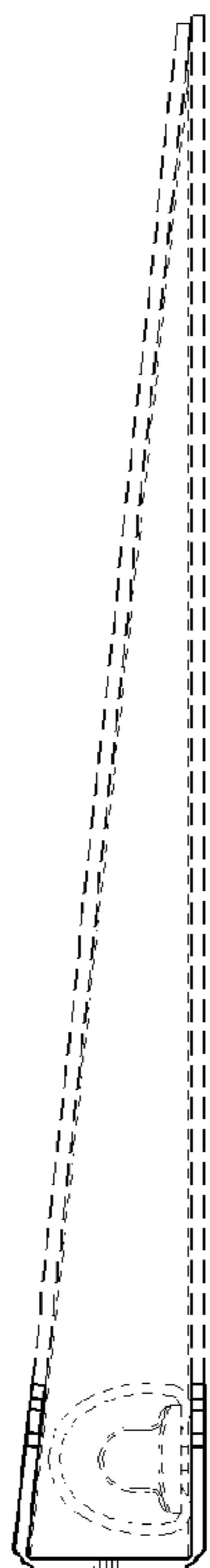


FIG. 6

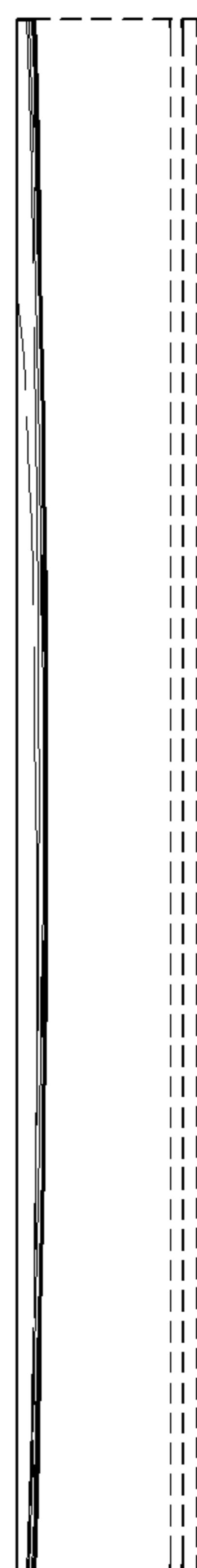


FIG. 7

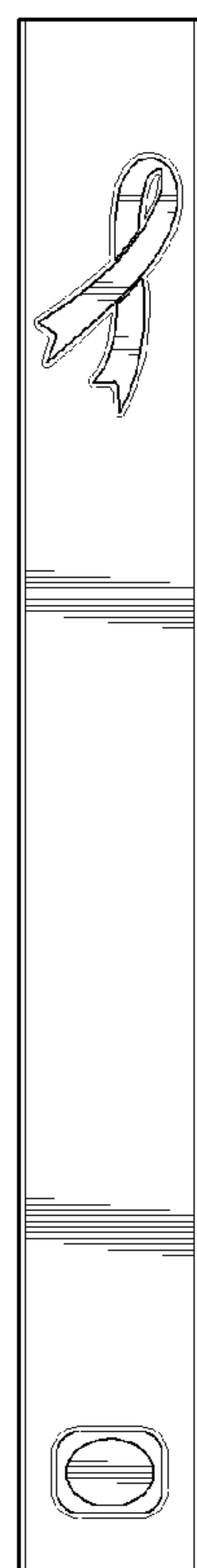


FIG. 8

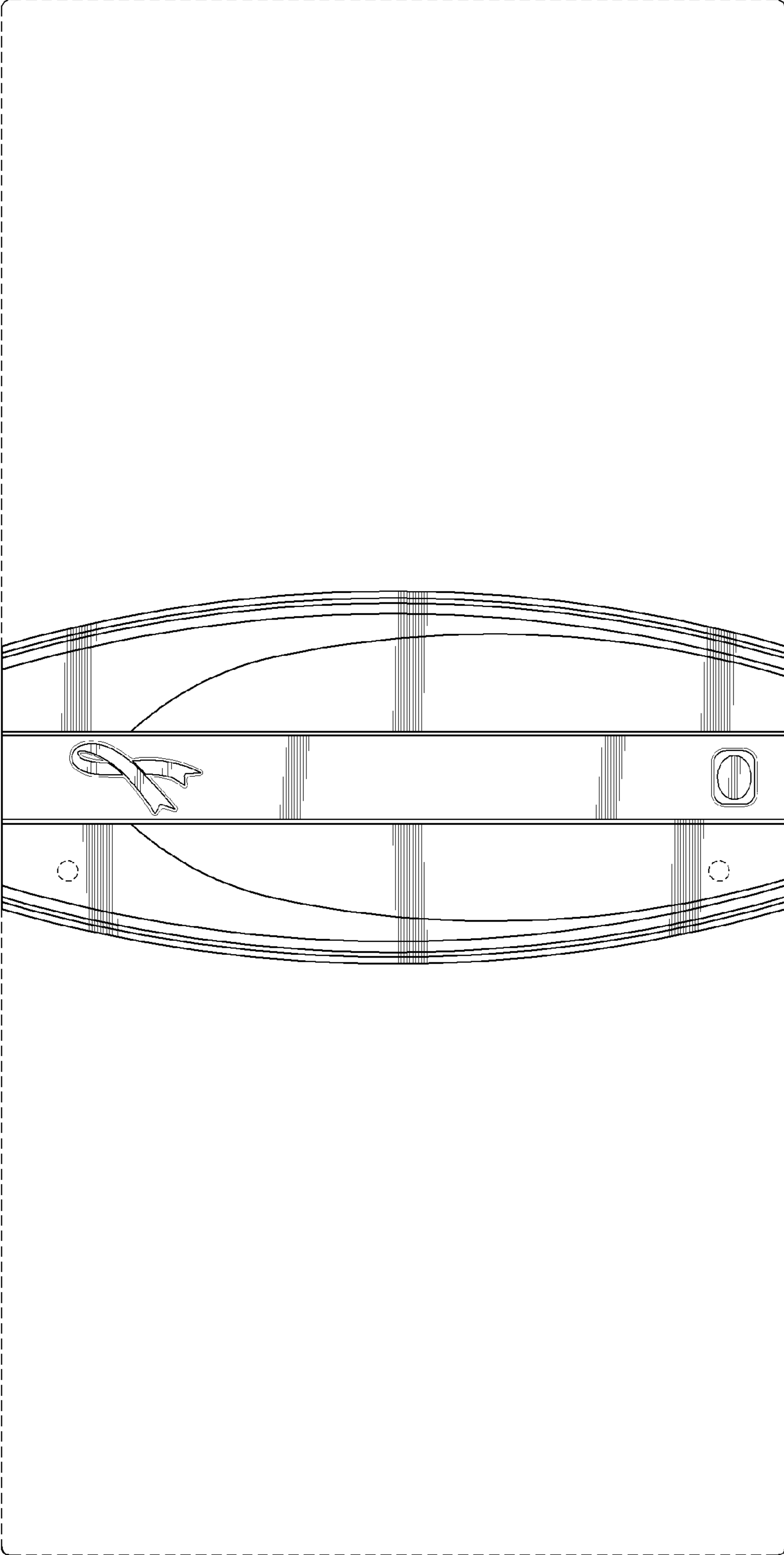


FIG. 9