



US00D675670S

(12) **United States Design Patent**
Fuchs

(10) **Patent No.:** **US D675,670 S**
(45) **Date of Patent:** **** Feb. 5, 2013**

(54) **EYEGLASSES**

(75) Inventor: **Gerhard Fuchs**, Kauns (AT)

(73) Assignee: **Silhouette International Schmied AG**,
Linz (AT)

(**) Term: **14 Years**

(21) Appl. No.: **29/385,496**

(22) Filed: **Feb. 15, 2011**

(30) **Foreign Application Priority Data**

Nov. 23, 2010 (EM) 001784786

(51) **LOC (9) Cl.** **16-06**

(52) **U.S. Cl.** **D16/335; D16/315**

(58) **Field of Classification Search** D16/101,
D16/300-342, 900; D29/109-110; D24/110.2;
351/41, 44, 51-52, 62, 158, 92, 103-123,
351/140, 153, 45-46; 2/426-432, 447-449,
2/441, 434-437, 13, 15; D21/483, 659-661;
D14/372

See application file for complete search history.

(56) **References Cited**

U.S. PATENT DOCUMENTS

5,367,344 A * 11/1994 Fuchs 351/41
6,296,355 B1 * 10/2001 Rittmann 351/111
6,729,725 B1 * 5/2004 Cheng 351/110
D533,579 S * 12/2006 Raile D16/316
D536,023 S * 1/2007 Park D16/315

D554,176 S * 10/2007 Elmore D16/316
D556,819 S 12/2007 Fuchs
D567,838 S 4/2008 Fuchs
D567,839 S 4/2008 Fuchs
D572,293 S * 7/2008 Cheng D16/315
D577,377 S 9/2008 Fuchs
D590,005 S 4/2009 Fuchs
D602,975 S 10/2009 Fuchs
2003/0025871 A1 * 2/2003 Masunaga 351/110
2003/0071962 A1 * 4/2003 Nishihara 351/110
2004/0223114 A1 * 11/2004 Park 351/110

* cited by examiner

Primary Examiner — Raphael Barkai

(74) *Attorney, Agent, or Firm* — Alston & Bird LLP

(57) **CLAIM**

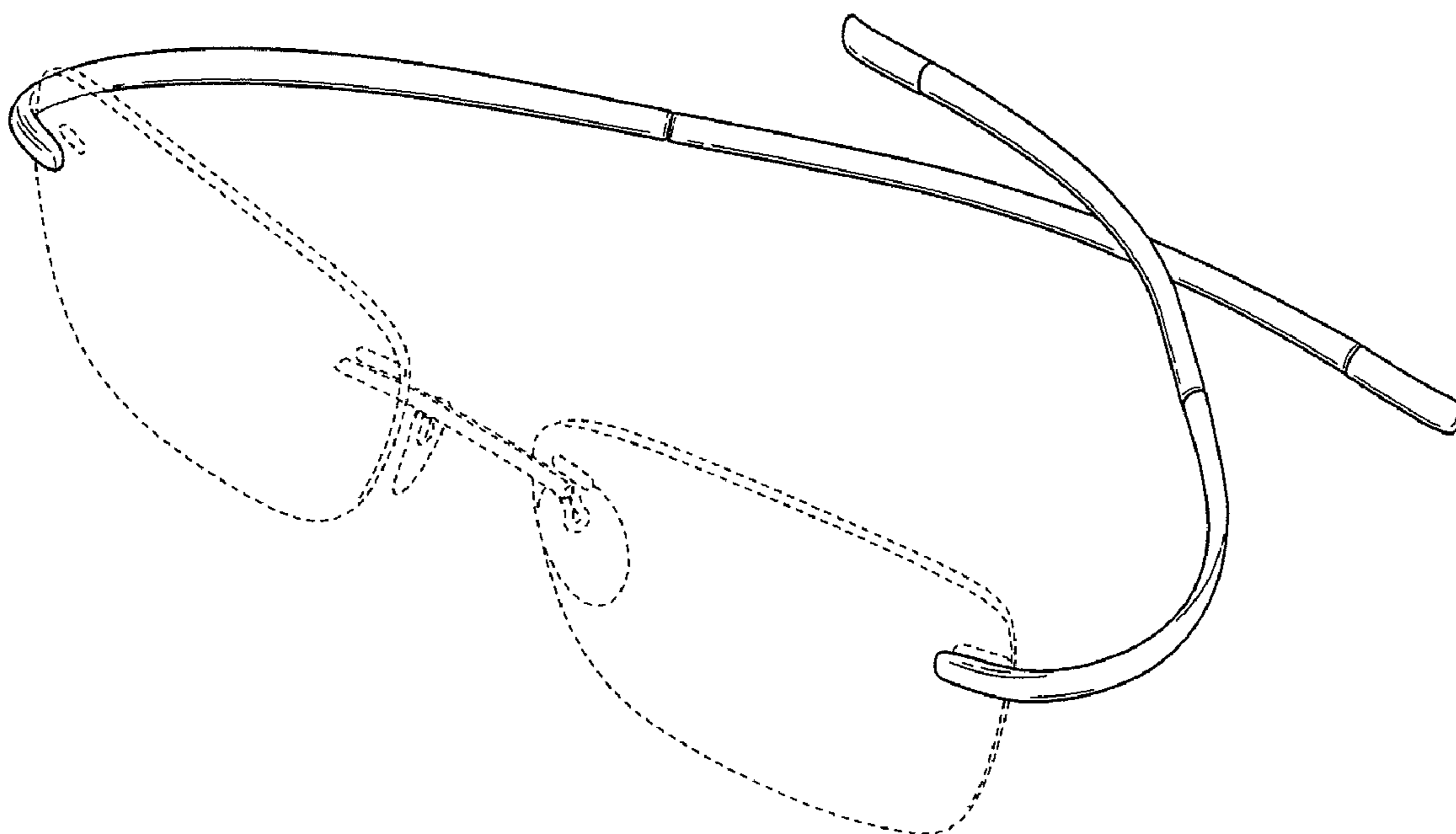
I claim the ornamental design for eyeglasses, as shown and described.

DESCRIPTION

FIG. 1 is a perspective view of eyeglasses showing my new design;
FIG. 2 is a front elevation view thereof;
FIG. 3 is a rear elevation view thereof;
FIG. 4 is a top plan view thereof;
FIG. 5 is a bottom plan view thereof;
FIG. 6 is a left side elevation view thereof; and,
FIG. 7 is side elevation cross-section view thereof taken along line 7-7 in FIG. 4.

The broken lines are directed to environment and are for illustrative purposes only. The broken lines form no part of the claimed design.

1 Claim, 6 Drawing Sheets



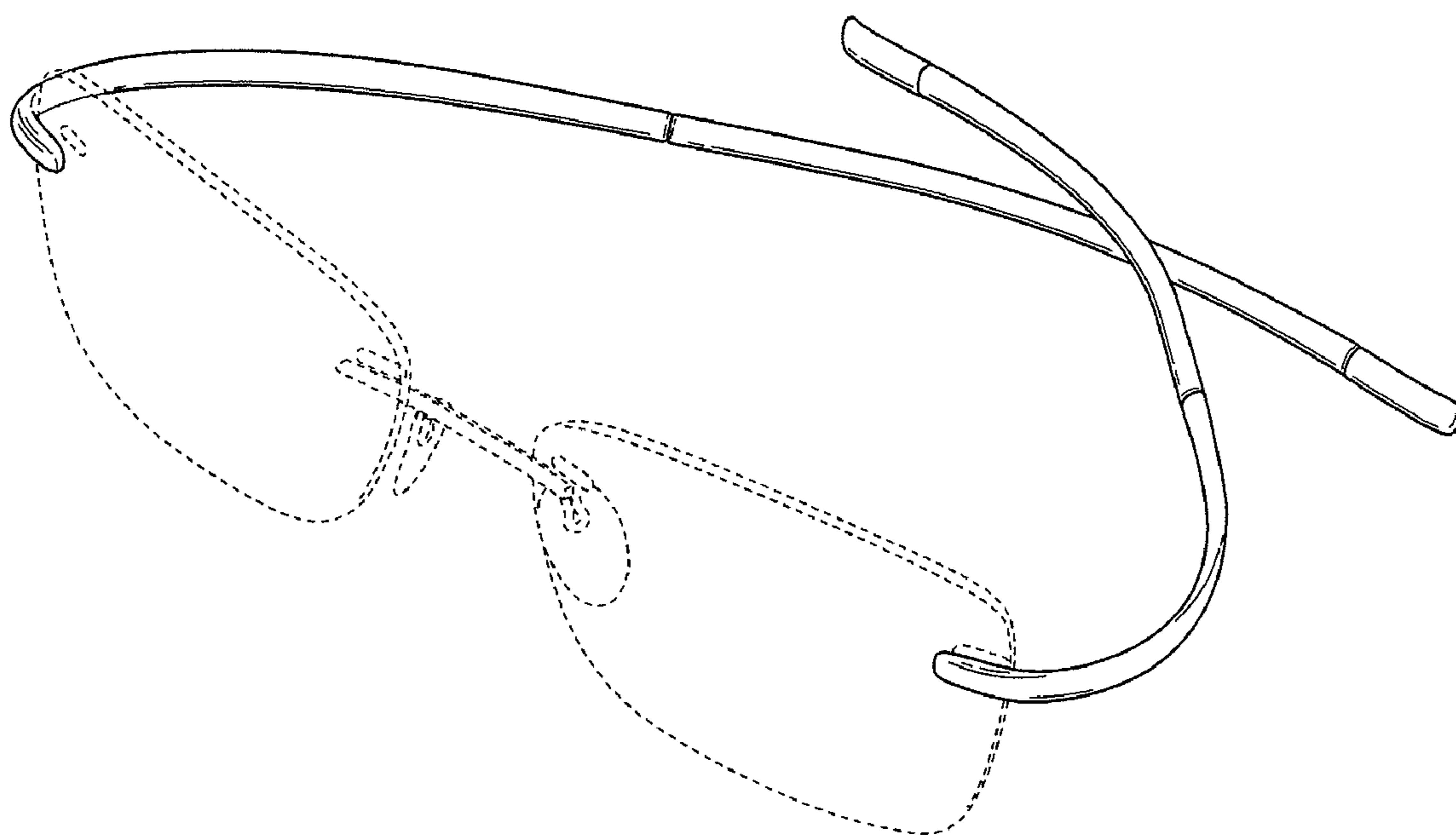


FIG. 1

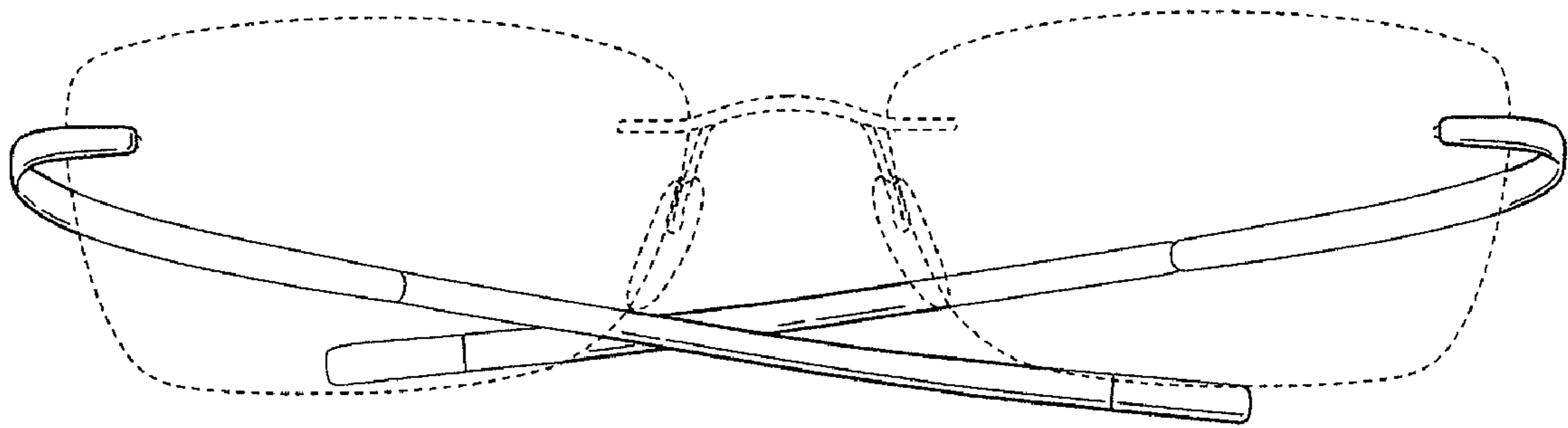


FIG. 2

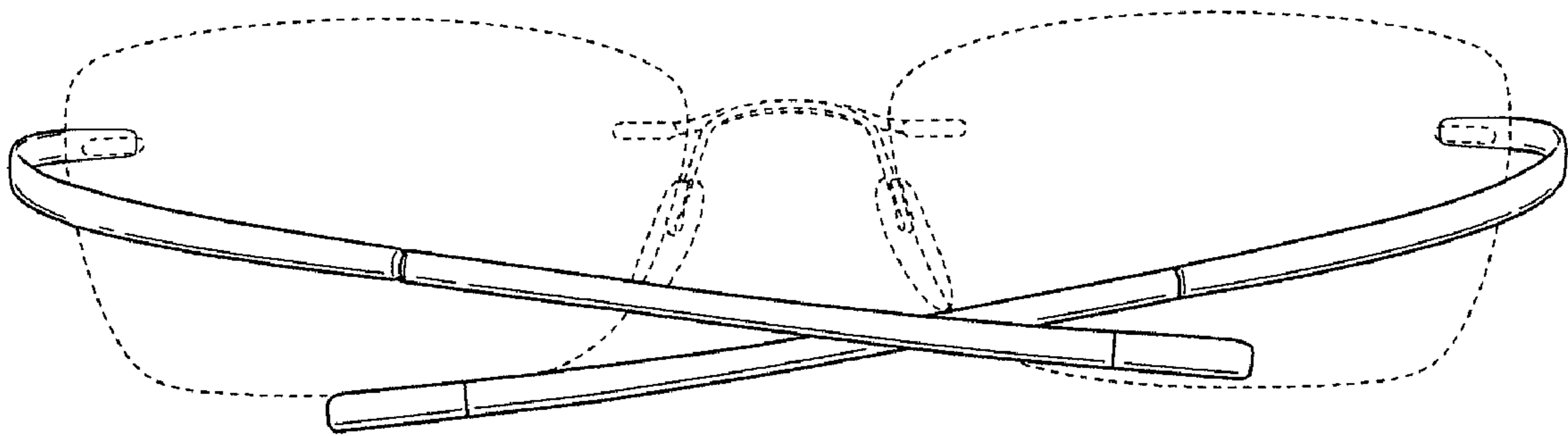


FIG. 3

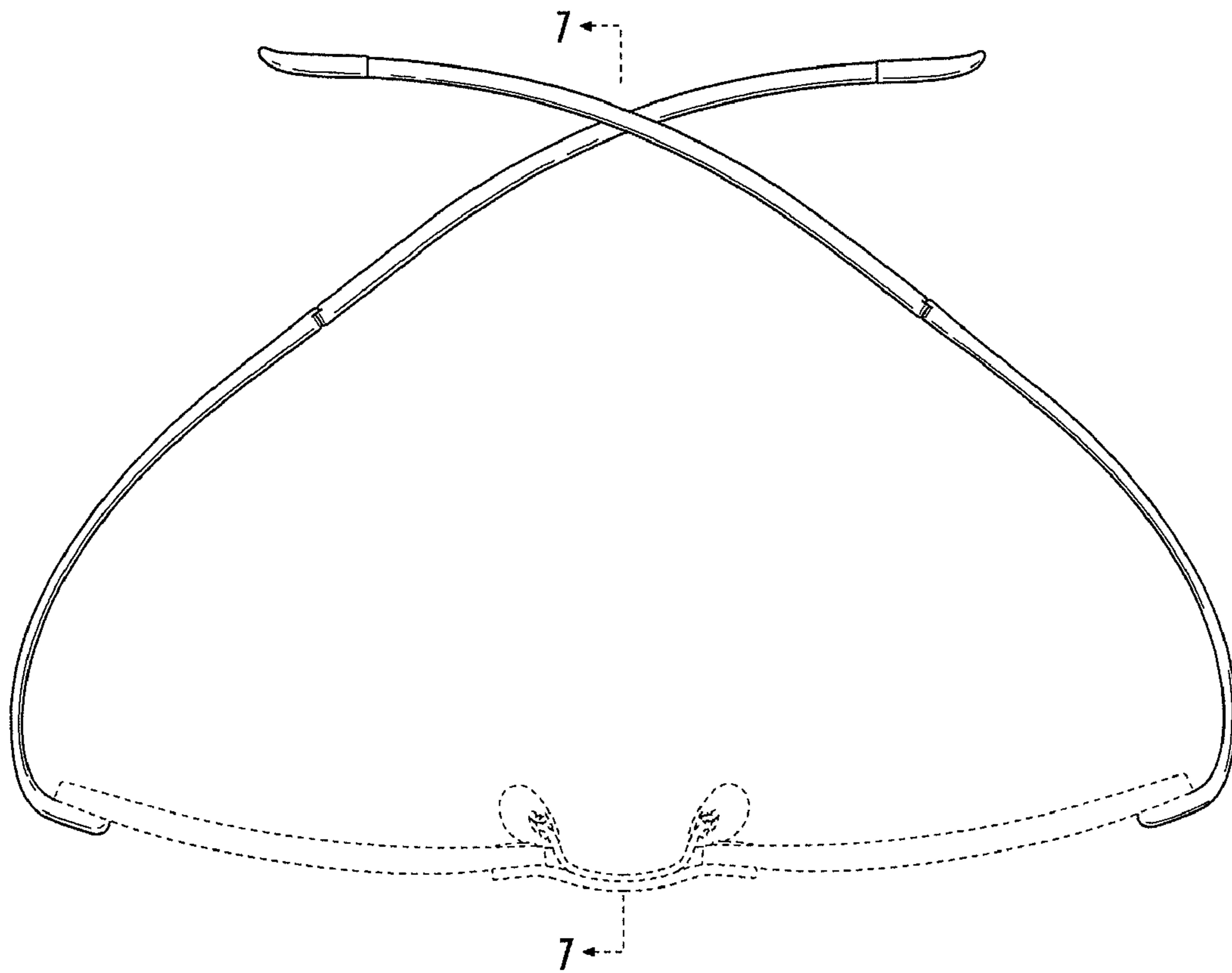


FIG. 4

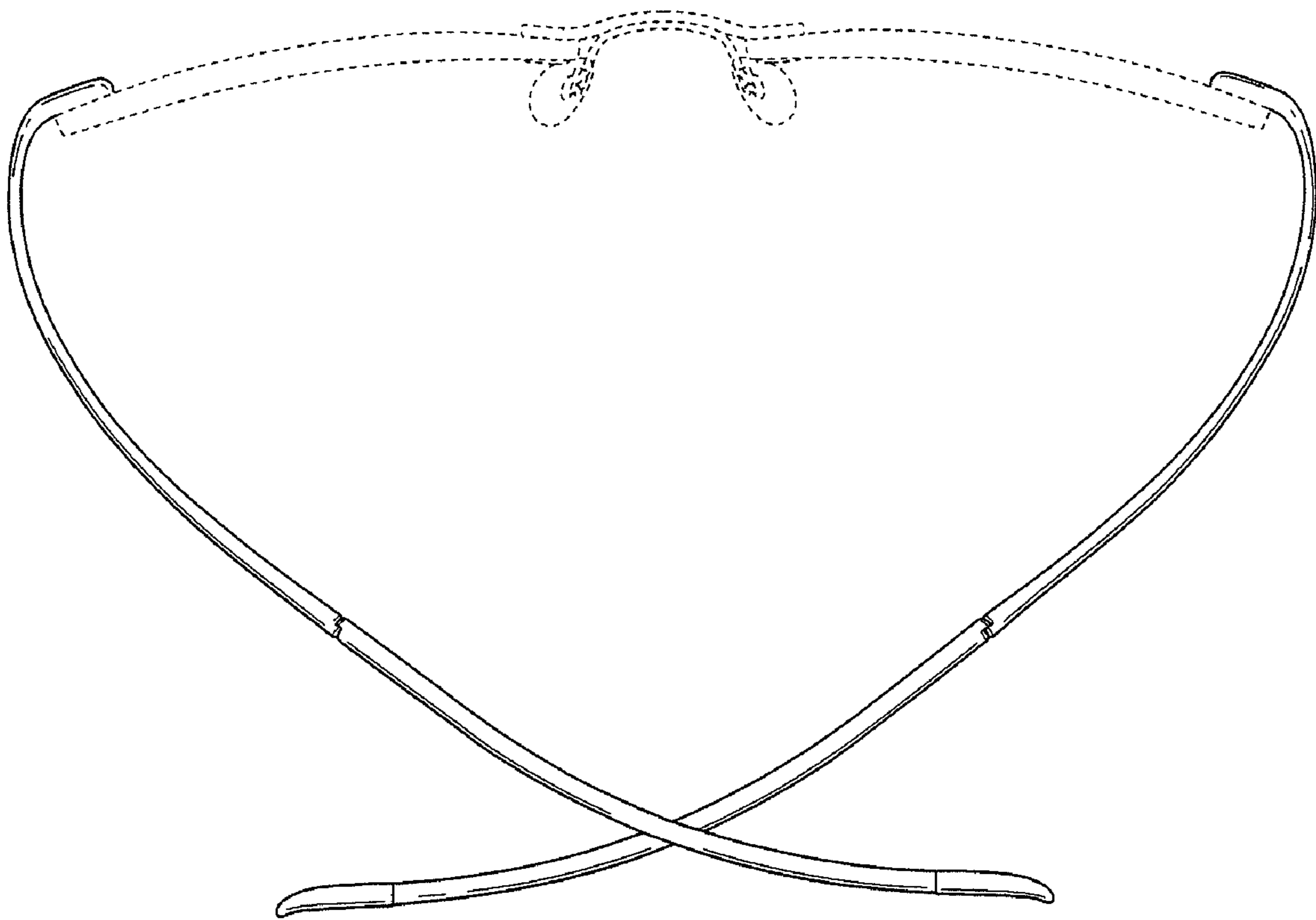


FIG. 5

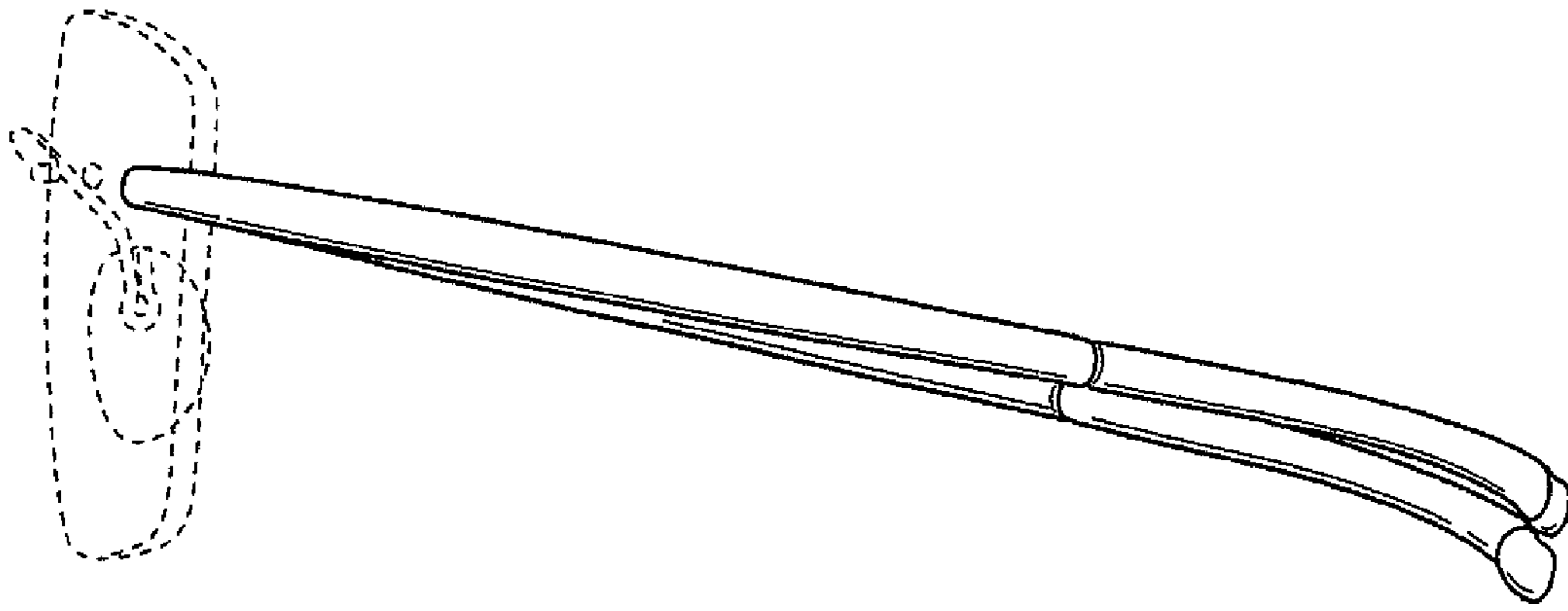


FIG. 6

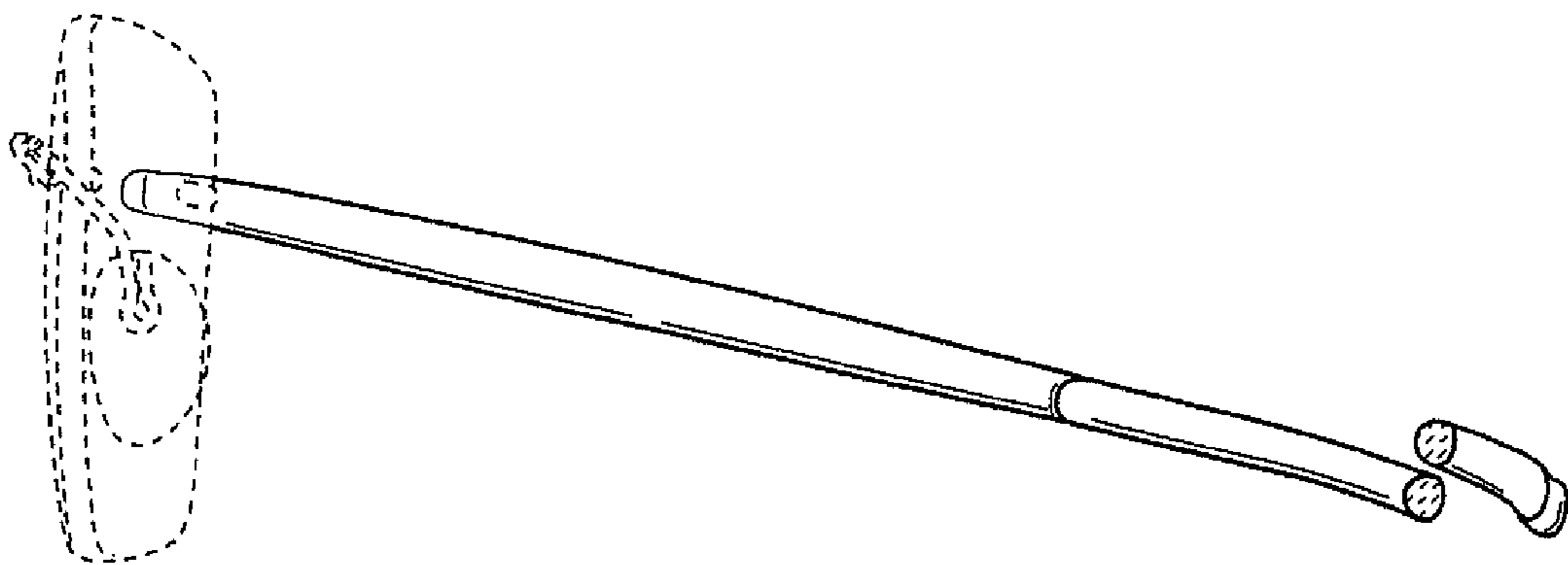


FIG. 7