



US00D675669S

(12) **United States Design Patent**  
**Johnson et al.**

(10) **Patent No.:** **US D675,669 S**

(45) **Date of Patent:** **\*\* Feb. 5, 2013**

- (54) **EYEGLOSS TEMPLE ASSEMBLY**
  - (75) Inventors: **Lewis Page Johnson**, Lebanon, OH (US); **Sidney Meade Harrison, Jr.**, Chester, VA (US)
  - (73) Assignee: **Temple Options, LLC**, Chester, VA (US)
  - (\*\*) Term: **14 Years**
  - (21) Appl. No.: **29/384,091**
  - (22) Filed: **Jan. 26, 2011**
  - (51) **LOC (9) Cl.** ..... **16-06**
  - (52) **U.S. Cl.** ..... **D16/335**
  - (58) **Field of Classification Search** ..... D16/101, D16/300-342; D29/109-110; D24/110.2; 351/41, 44, 51-52, 62, 158, 92, 103-123, 351/140, 153, 45-46; 2/426-432, 447-449, 2/441, 434-437, 13, 15; D21/483, 659-661; D14/372
- See application file for complete search history.

(56) **References Cited**

U.S. PATENT DOCUMENTS

4,527,291	A *	7/1985	Nussbickl	.....	2/450
6,076,927	A *	6/2000	Owens	.....	351/118
6,353,965	B1 *	3/2002	Lo	.....	16/228
6,393,609	B1 *	5/2002	Simmons, Sr.	.....	2/13
6,910,767	B2 *	6/2005	Froissard	.....	351/44
7,210,777	B2 *	5/2007	Canavan et al.	.....	351/103
D553,177	S *	10/2007	Chen	.....	D16/326
7,461,936	B2	12/2008	Jannard		
7,512,414	B2	3/2009	Jannard		

D591,329	S *	4/2009	Wang	.....	D16/315
7,530,688	B2 *	5/2009	Grogan et al.	.....	351/52
7,658,492	B2 *	2/2010	Siu	.....	351/110
7,677,721	B2 *	3/2010	Siu	.....	351/52
7,677,723	B2	3/2010	Howell		
7,682,018	B2	3/2010	Jannard		
D617,826	S *	6/2010	Waters	.....	D16/309
D633,131	S *	2/2011	Seo et al.	.....	D16/326

\* cited by examiner

*Primary Examiner* — Raphael Barkai  
*Assistant Examiner* — Randall Gholson

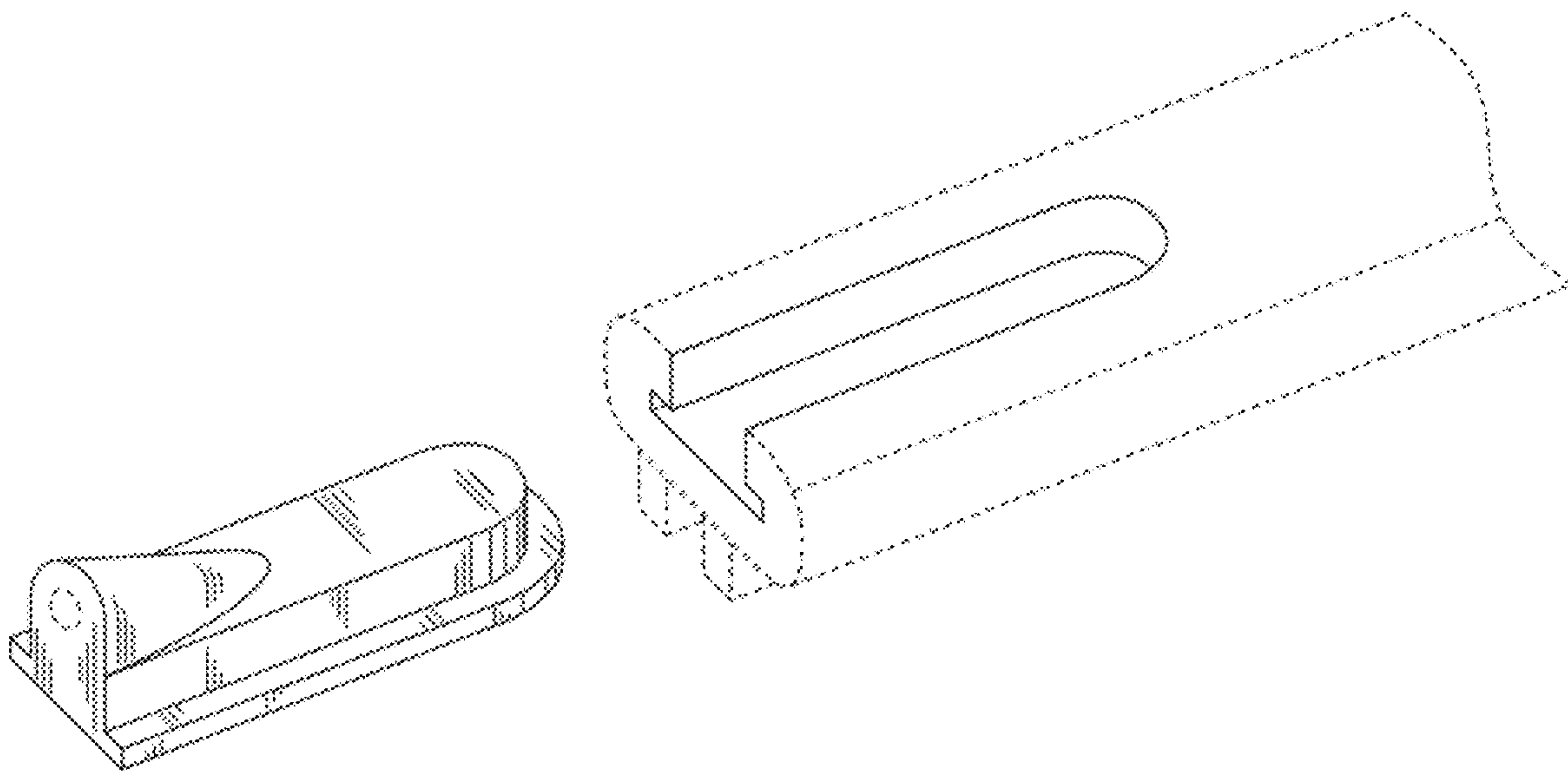
(57) **CLAIM**

An eyeglass temple assembly, as shown and described.

**DESCRIPTION**

FIG. 1 illustrates a perspective view of an eyeglass temple assembly, including an temple cavity and a coffin; FIG. 2 illustrates a side view of the coffin; FIG. 3 illustrates an other side view of the coffin; FIG. 4 illustrates a rear view of the coffin; FIG. 5 illustrates a front view of the coffin; FIG. 6 illustrates a top view of the coffin; FIG. 7 illustrates a bottom view of the coffin; FIG. 8 illustrates a perspective view of the eyeglass temple assembly on a left side of a pair of eyeglasses; and, FIG. 9 illustrates a perspective view of the eyeglass temple assembly on a right side of a pair of eyeglasses. The eyeglass temple assembly is shown separately in FIG. 1 for ease of illustration. The broken lines showing various internal and external eyeglass elements are for illustrative purposes only and form no part of the claimed design.

**1 Claim, 4 Drawing Sheets**



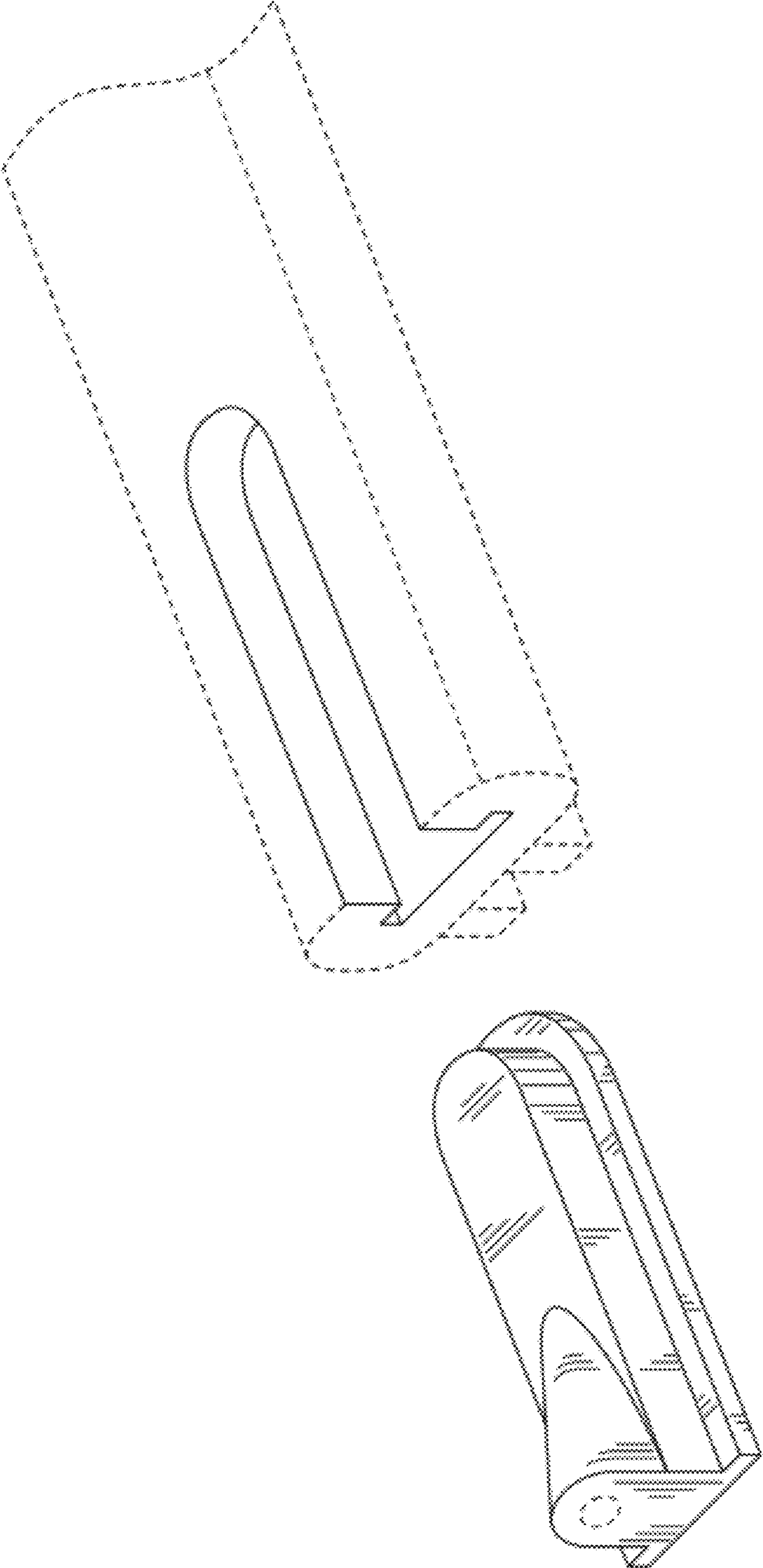


FIG. 1

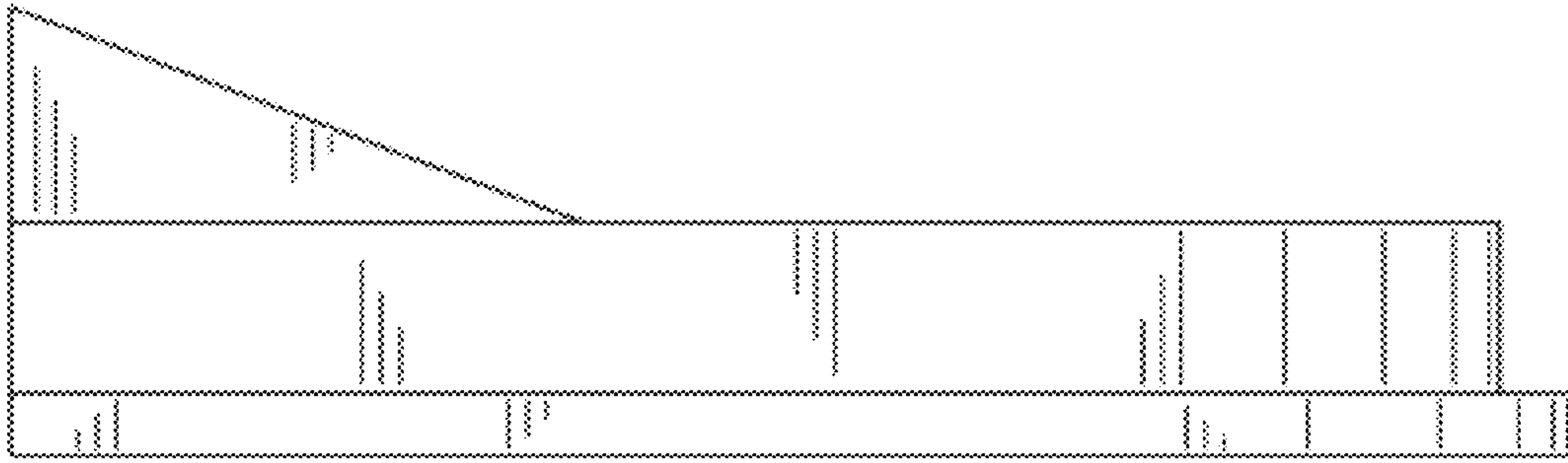


FIG. 2

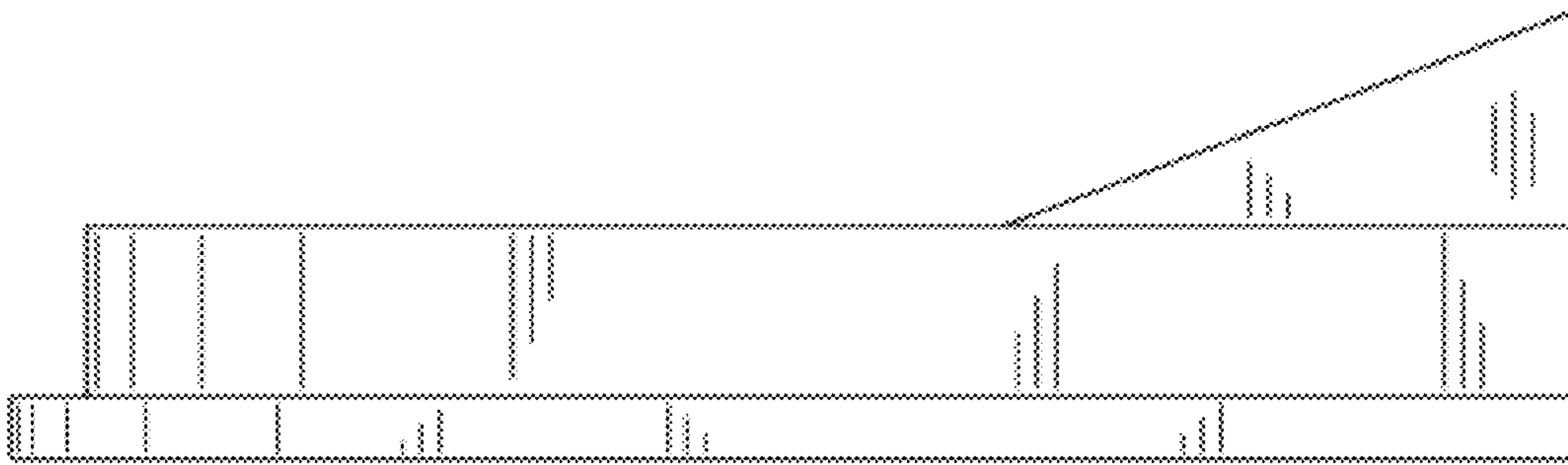


FIG. 3

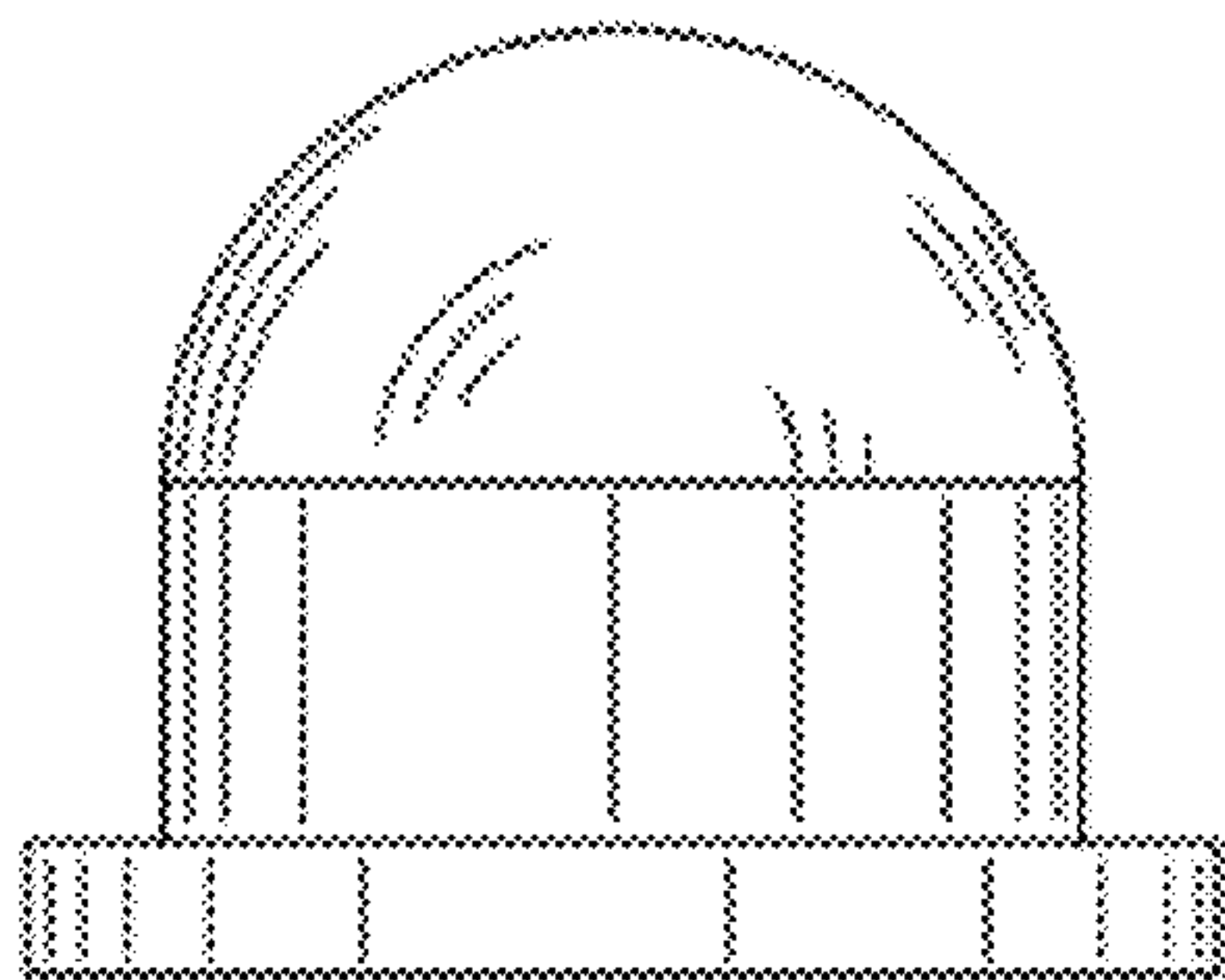


FIG. 4

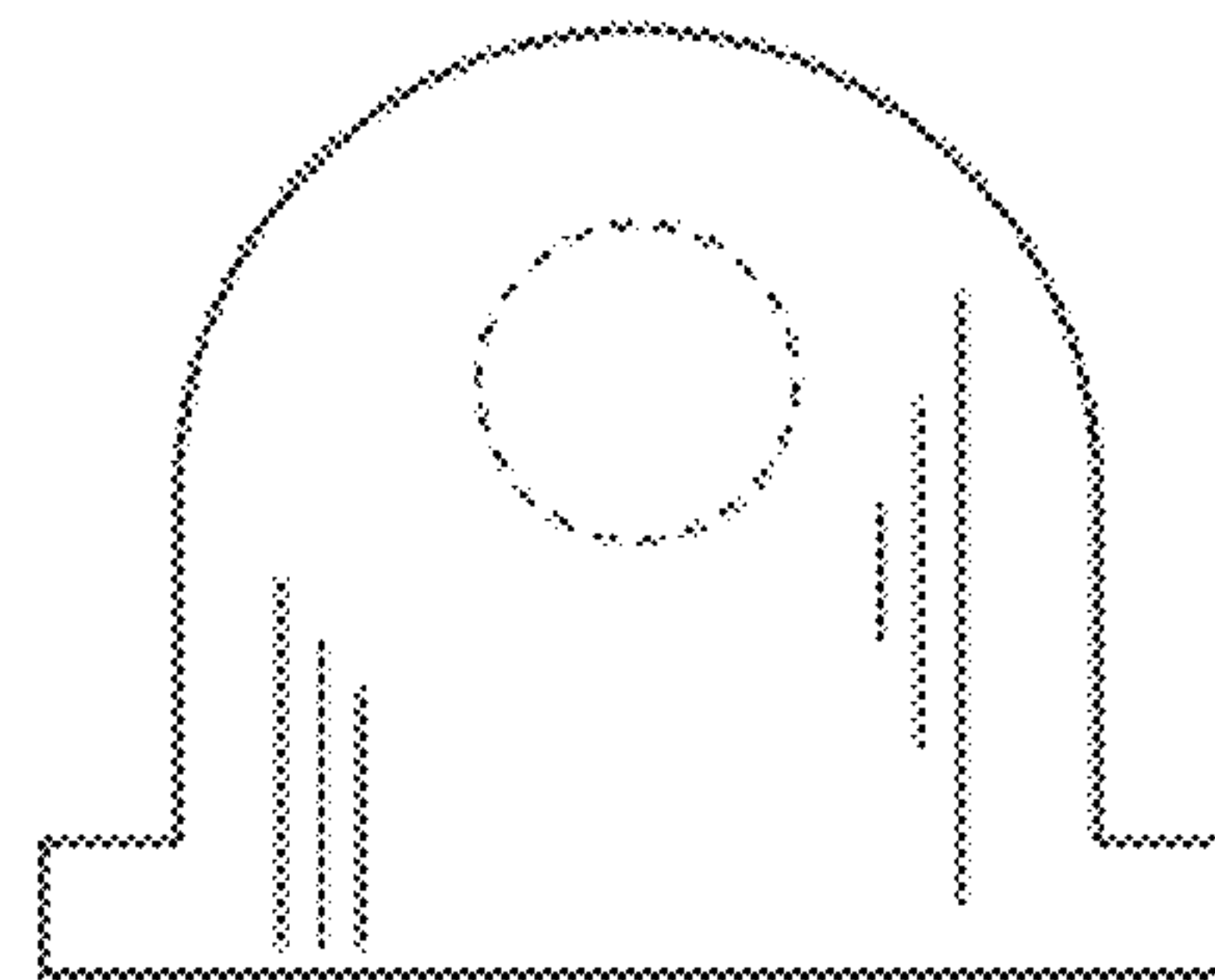


FIG. 5

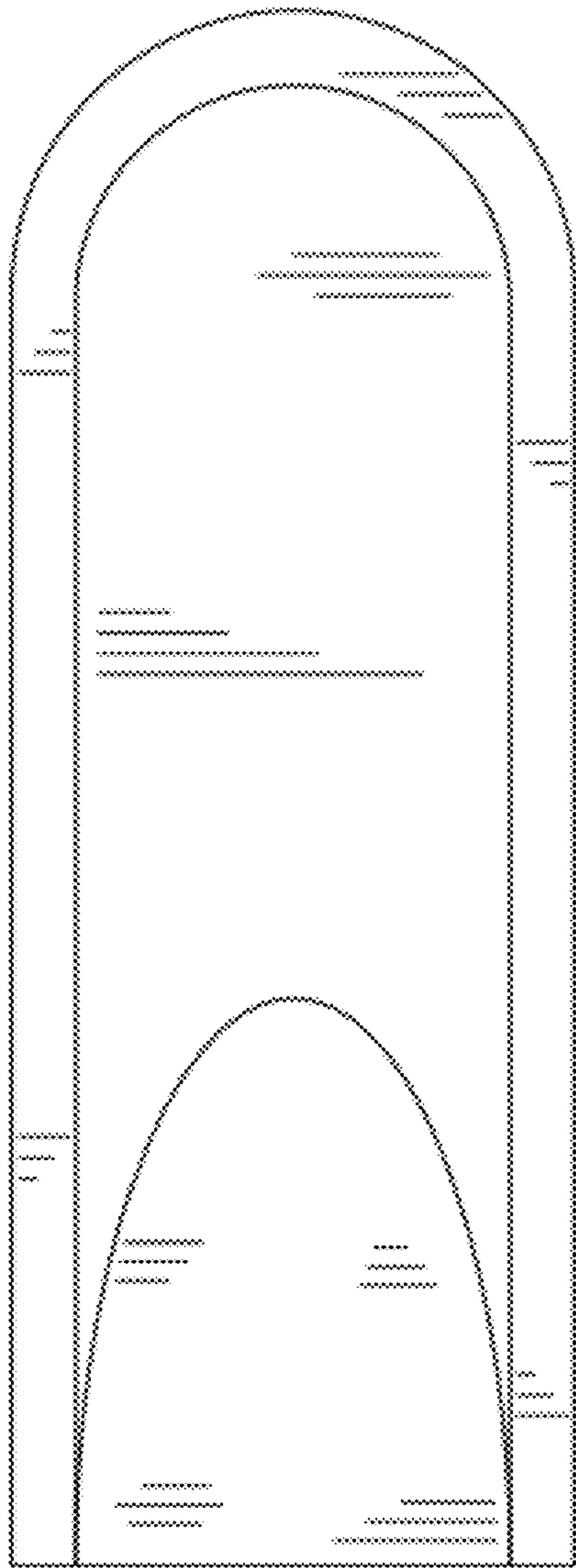


FIG. 6

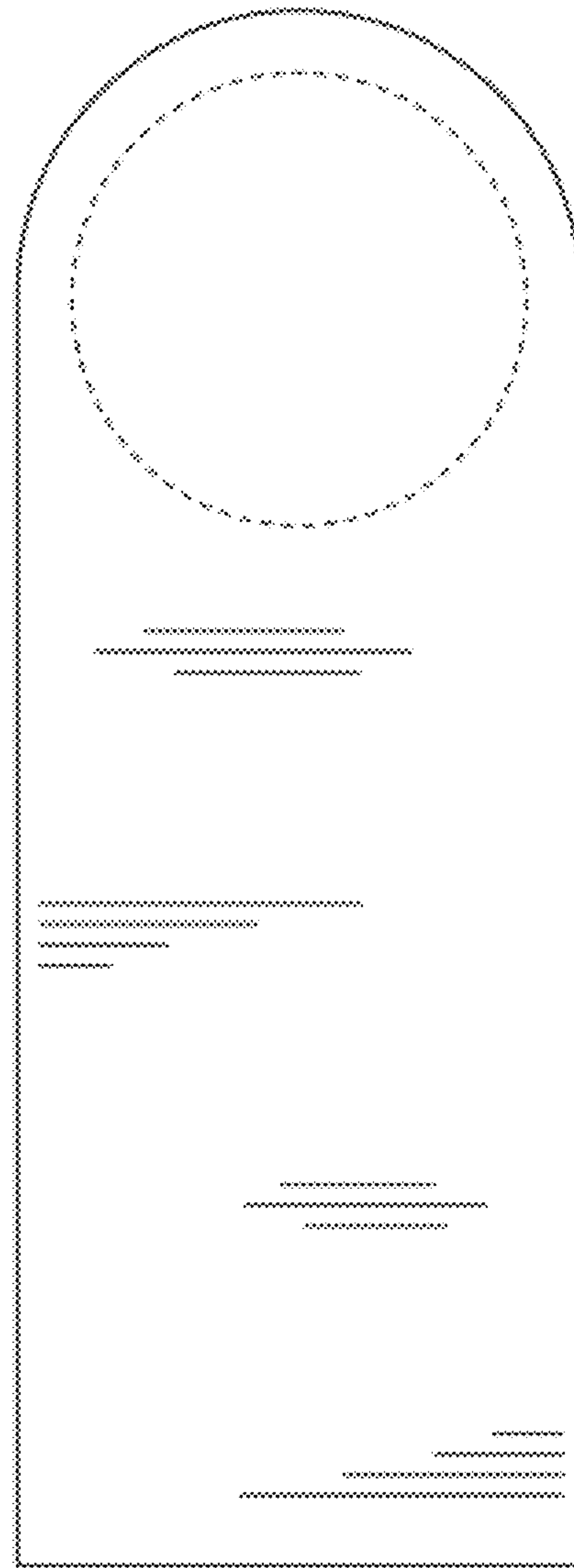


FIG. 7



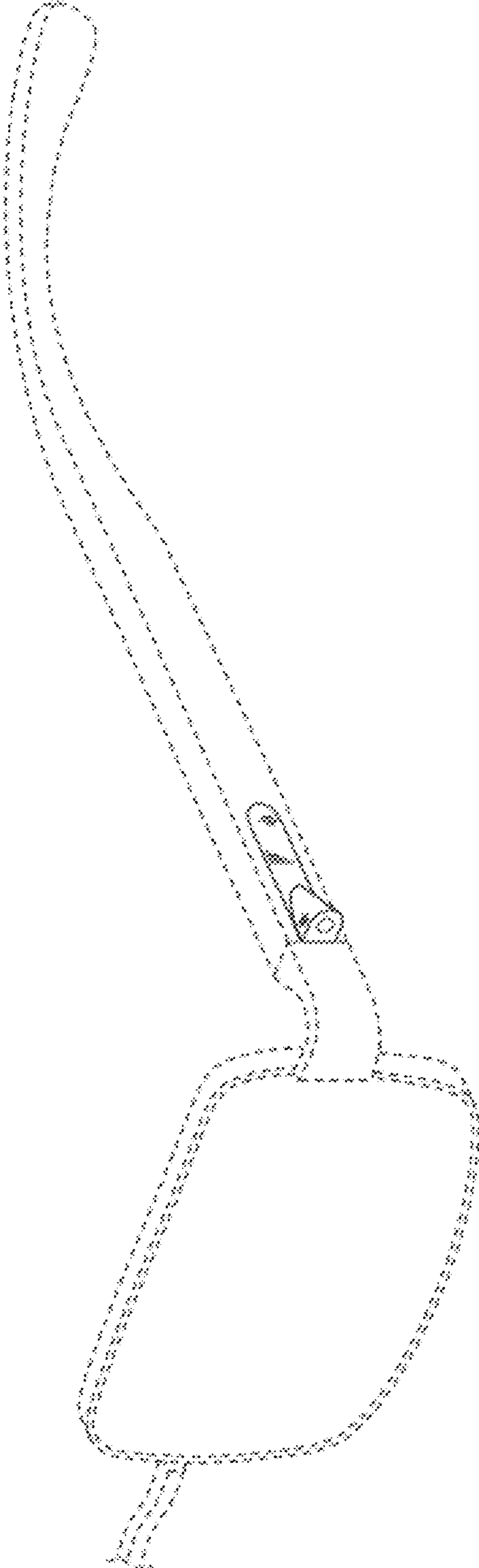


FIG. 8

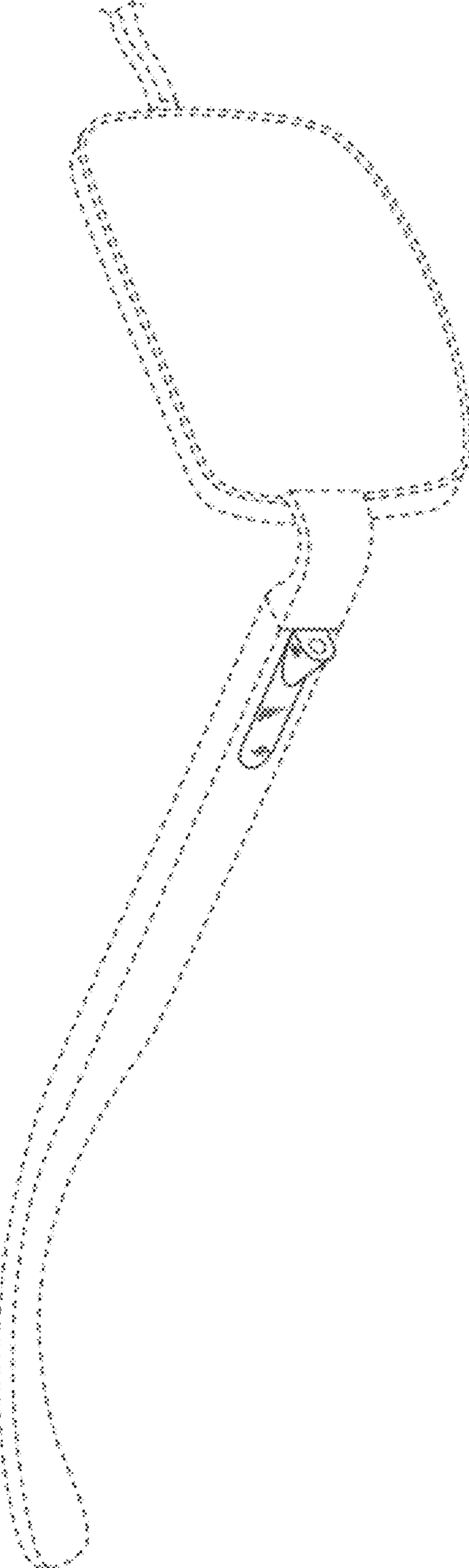


FIG. 9