



US00D675668S

(12) **United States Design Patent**
Johnson et al.

(10) **Patent No.:** **US D675,668 S**

(45) **Date of Patent:** **** Feb. 5, 2013**

- (54) **EYEGLASS TEMPLE ASSEMBLY**
- (75) Inventors: **Lewis Page Johnson**, Lebanon, OH (US); **Sidney Meade Harrison, Jr.**, Chester, VA (US)
- (73) Assignee: **Temple Options, LLC**, Chester, VA (US)
- (**) Term: **14 Years**
- (21) Appl. No.: **29/384,090**
- (22) Filed: **Jan. 26, 2011**
- (51) **LOC (9) Cl.** **16-06**
- (52) **U.S. Cl.** **D16/335**
- (58) **Field of Classification Search** D16/101, D16/300-342; D29/109-110; D24/110.2; 351/41, 44, 51-52, 62, 158, 92, 103-123, 351/140, 153, 45-46; 2/426-432, 447-449, 2/441, 434-437, 13, 15; D21/483, 659-661; D14/372

See application file for complete search history.

(56) **References Cited**

U.S. PATENT DOCUMENTS

6,381,807	B1 *	5/2002	Hsu	16/228
6,390,620	B1 *	5/2002	Montalban	351/114
6,393,609	B1 *	5/2002	Simmons, Sr.	2/13
6,543,896	B1 *	4/2003	Huang	351/120
7,108,372	B2 *	9/2006	Li	351/153
7,172,279	B1 *	2/2007	Sohn	351/44
7,407,282	B1 *	8/2008	Chen	351/118
7,461,936	B2	12/2008	Jannard	
7,512,414	B2	3/2009	Jannard	

7,625,082	B2 *	12/2009	Kawanishi	351/120
7,625,083	B2 *	12/2009	Fukuoka	351/153
7,677,723	B2	3/2010	Howell	
7,682,018	B2	3/2010	Jannard	
D634,348	S *	3/2011	Suzuki	D16/309
7,946,705	B1 *	5/2011	Hsu	351/158
7,997,724	B1 *	8/2011	Hsu	351/158
2006/0268217	A1 *	11/2006	Teng	351/41

* cited by examiner

Primary Examiner — Raphael Barkai
Assistant Examiner — Randall Gholson

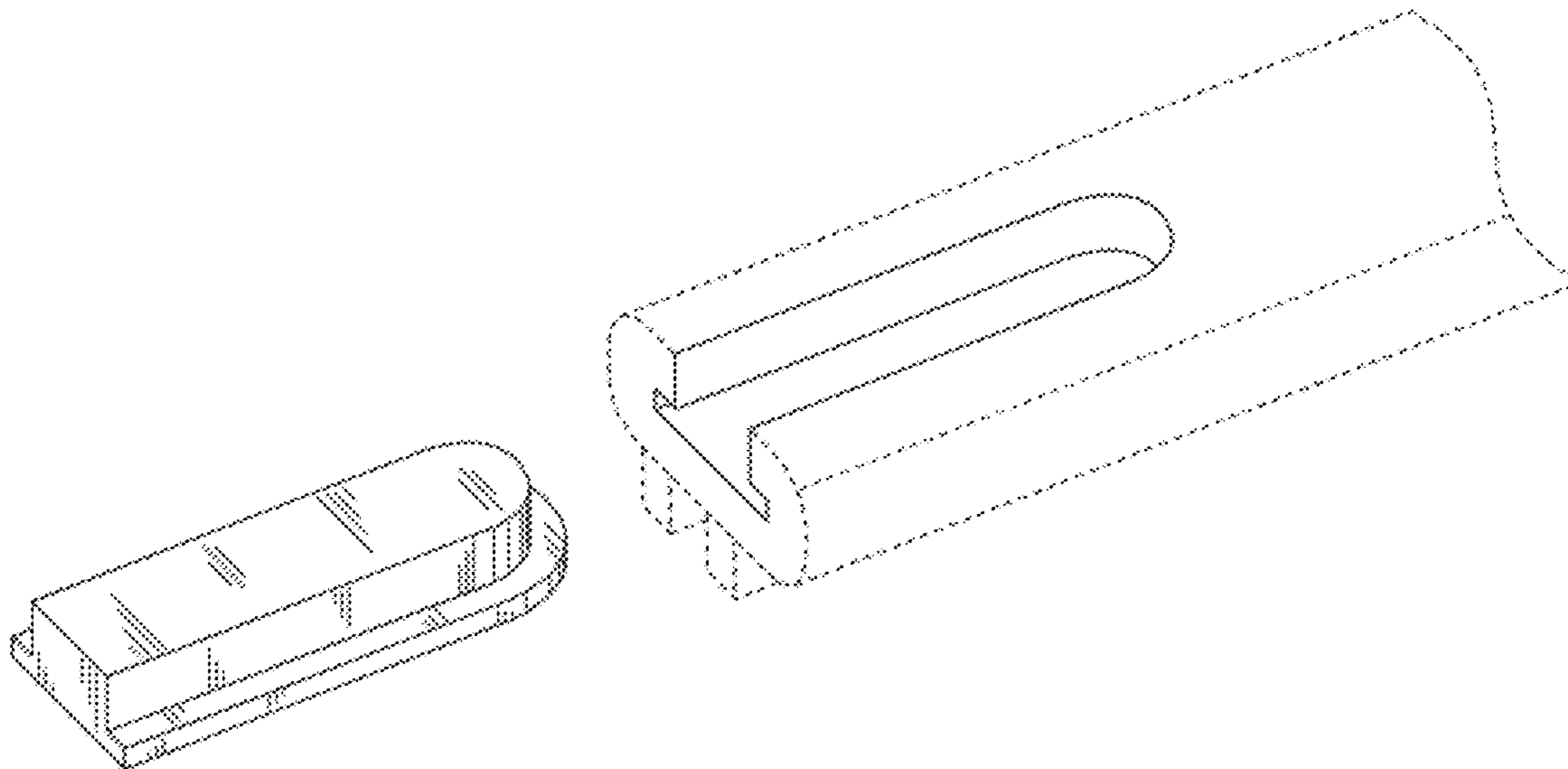
(57) **CLAIM**

An eyeglass temple assembly, as shown and described.

DESCRIPTION

FIG. 1 illustrates a perspective view of an eyeglass temple assembly, including an temple cavity and a coffin; FIG. 2 illustrates a side view of the coffin; FIG. 3 illustrates an other side view of the coffin; FIG. 4 illustrates a rear view of the coffin; FIG. 5 illustrates a front view of the coffin; FIG. 6 illustrates a top view of the coffin; FIG. 7 illustrates a bottom view of the coffin; FIG. 8 illustrates a perspective view of the eyeglass temple assembly on a left side of a pair of eyeglasses; and, FIG. 9 illustrates a perspective view of the eyeglass temple assembly on a right side of a pair of eyeglasses. The eyeglass temple assembly is shown separately in FIG. 1 for ease of illustration. The broken lines showing various internal and external eyeglass elements are for illustrative purposes only and form no part of the claimed design.

1 Claim, 4 Drawing Sheets



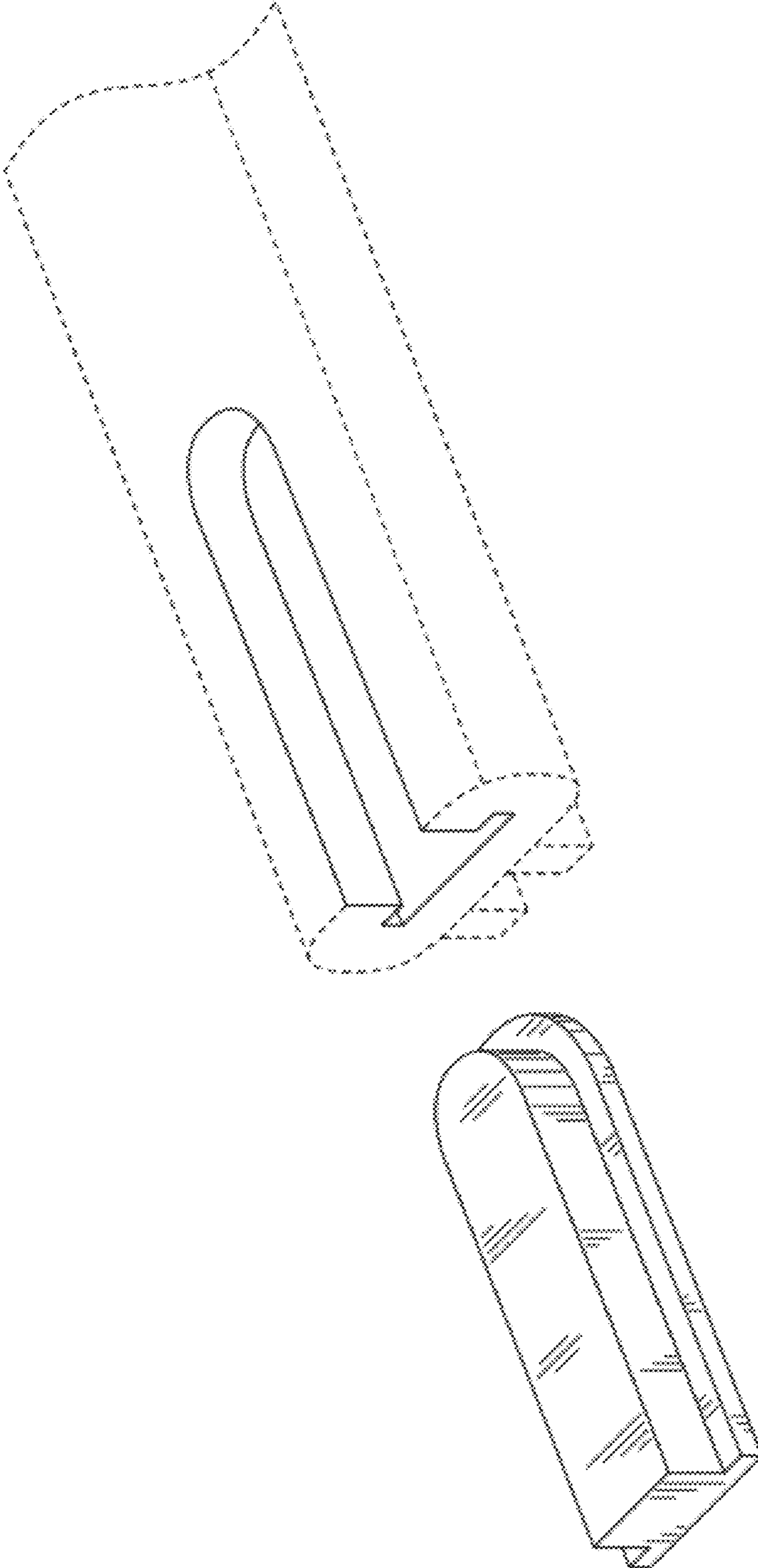


FIG. 1

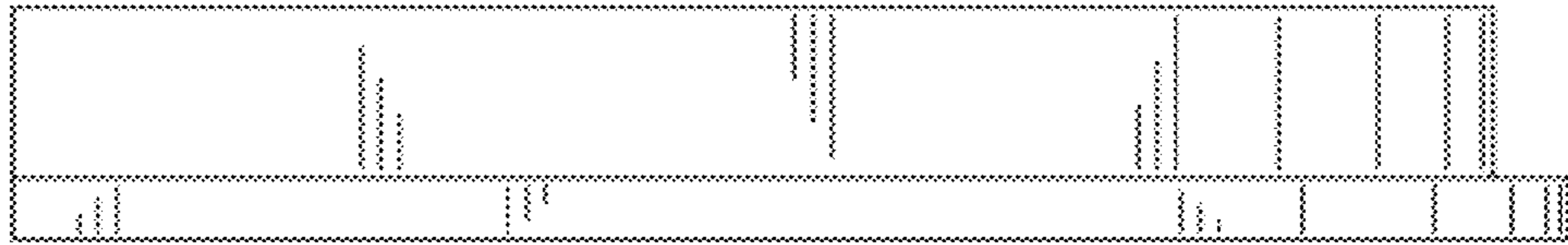


FIG. 2

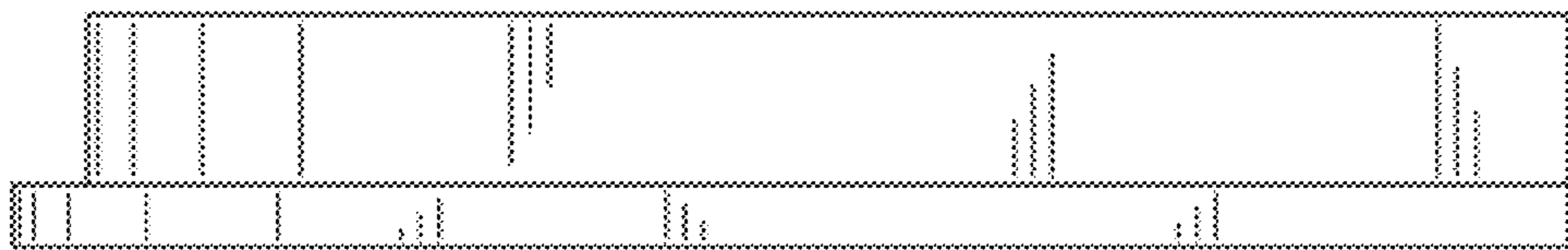


FIG. 3

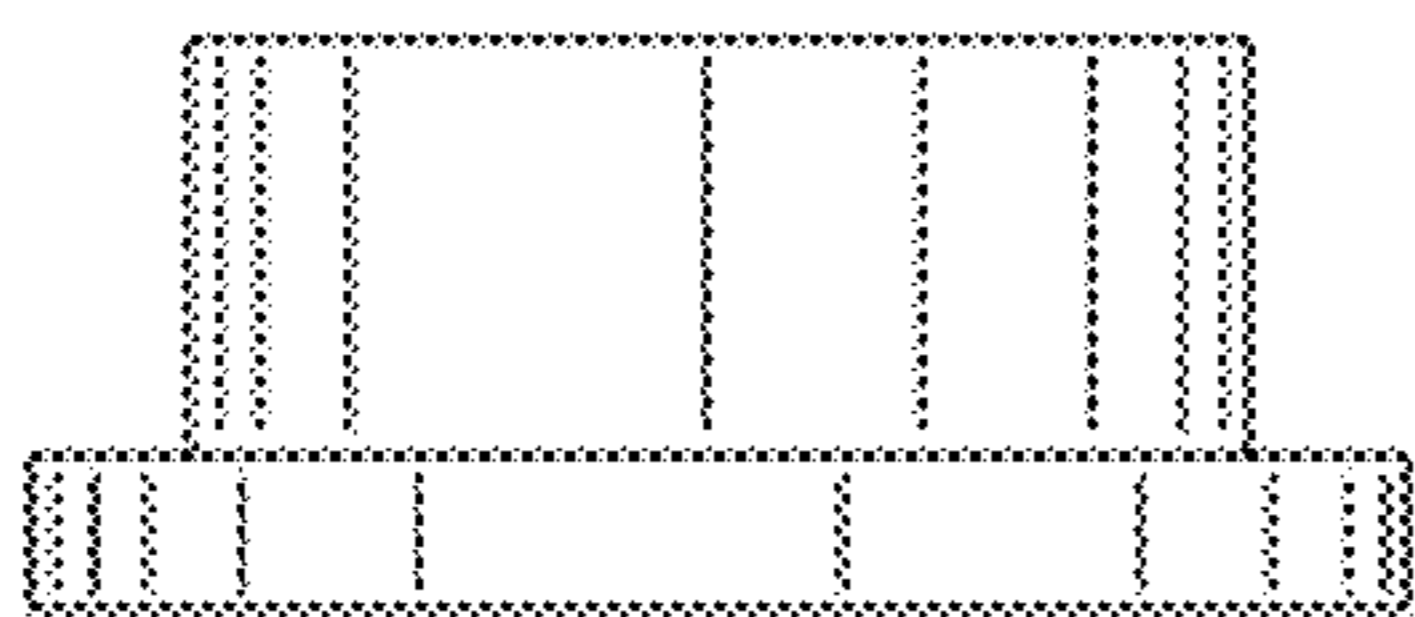


FIG. 4



FIG. 5

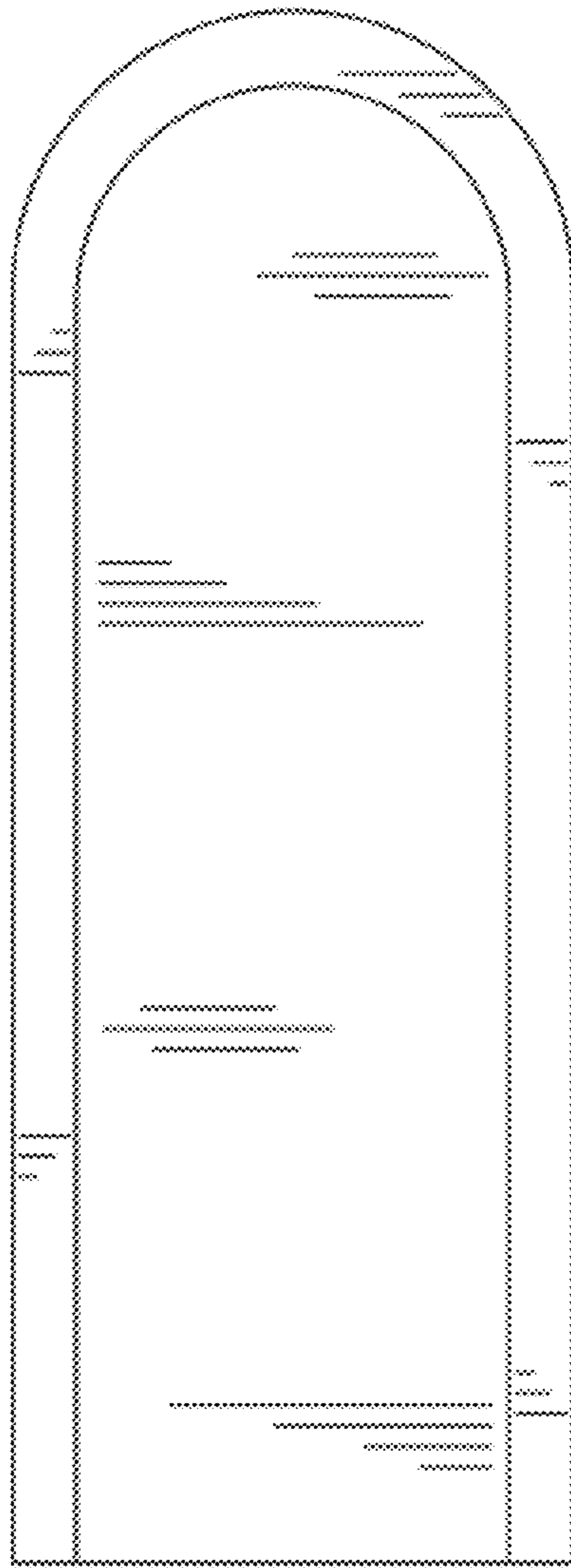


FIG. 6

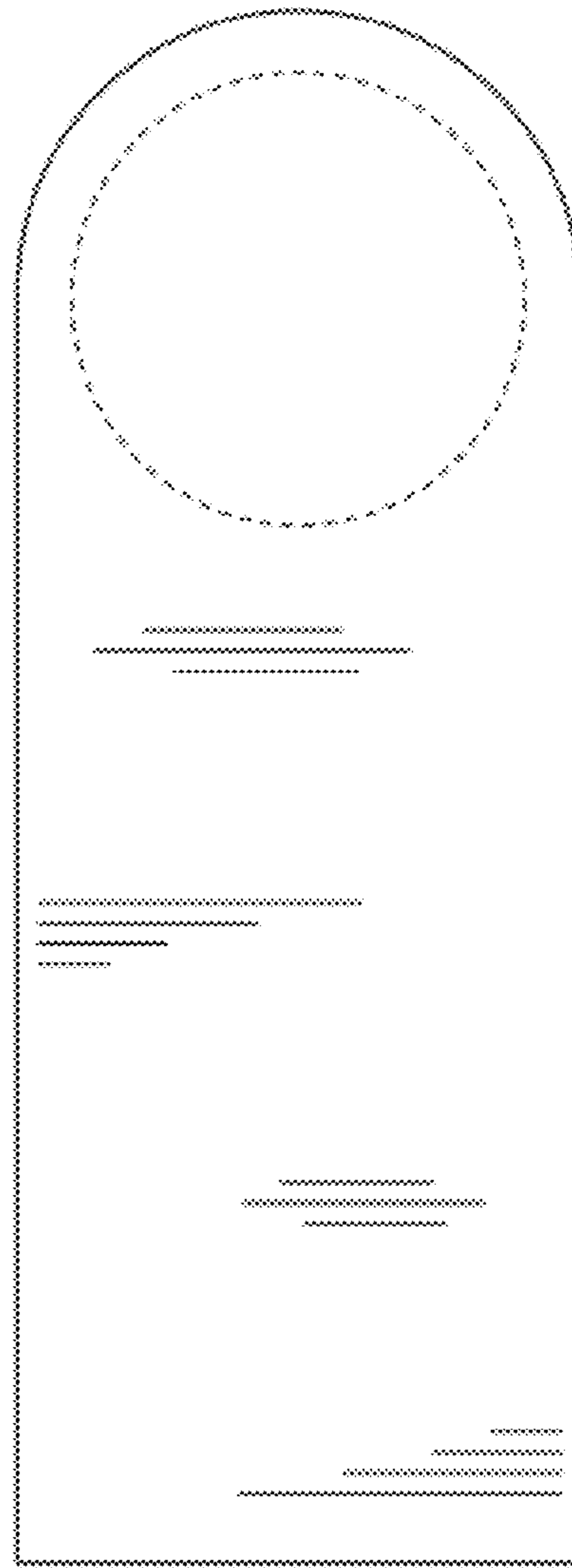


FIG. 7

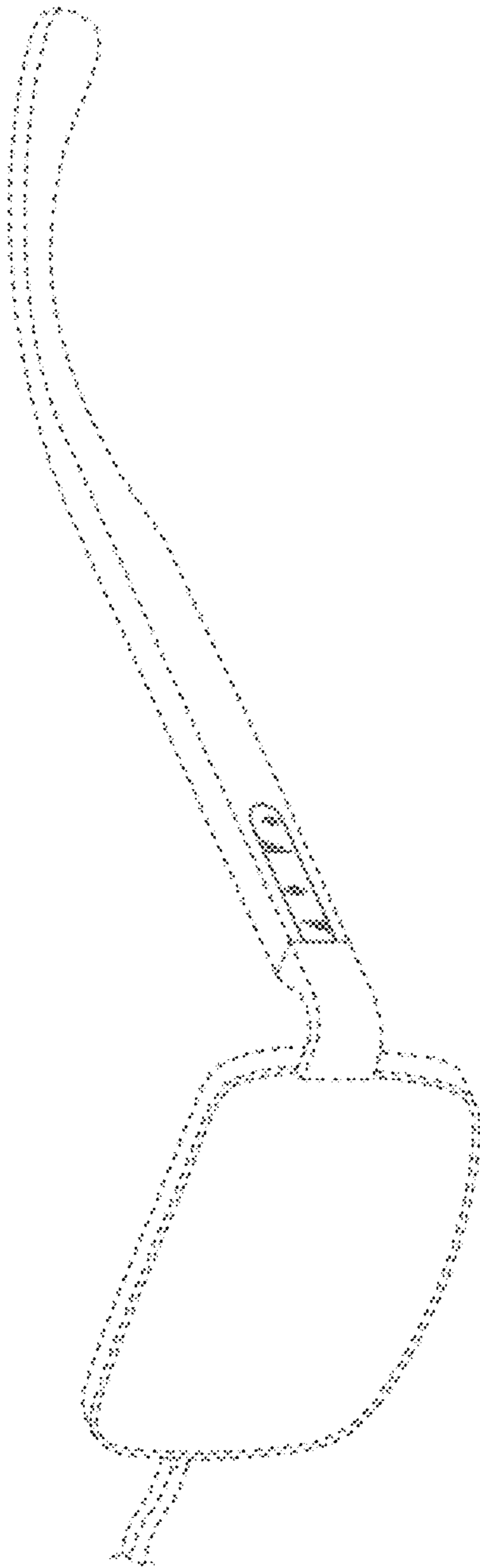


FIG. 8

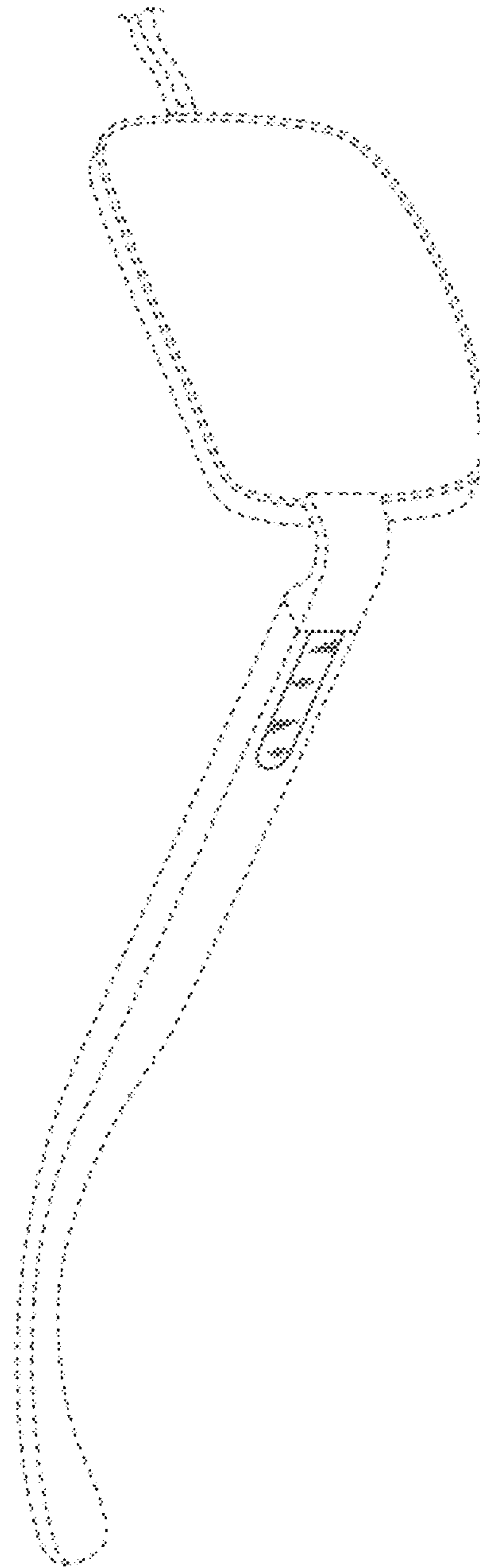


FIG. 9