



US00D675661S

(12) **United States Design Patent**
Jannard et al.

(10) **Patent No.:** **US D675,661 S**

(45) **Date of Patent:** **** Feb. 5, 2013**

(54) **CAMERA COMPONENT**

D631,081 S * 1/2011 Richter D16/242
D649,576 S * 11/2011 Jannard et al. D16/242
D656,533 S * 3/2012 Dordick D16/242

(75) Inventors: **James H. Jannard**, Las Vegas, NV
(US); **Matthew Gene Tremblay**, Laguna
Beach, CA (US); **Peter Jarred Land**,
Lake Forest, CA (US)

* cited by examiner

Primary Examiner — Raphael Barkai
Assistant Examiner — Randall Gholson

(73) Assignee: **Red.com, Inc.**, Irvine, CA (US)

(74) *Attorney, Agent, or Firm* — Gregory K. Nelson

(**) Term: **14 Years**

(21) Appl. No.: **29/374,829**

(57) **CLAIM**

The ornamental design for a camera component, as shown
and described.

(22) Filed: **Oct. 11, 2011**

Related U.S. Application Data

DESCRIPTION

(62) Division of application No. 29/348,409, filed on Dec.
30, 2009, now Pat. No. Des. 649,576.

(51) **LOC (9) Cl.** **14-05**

(52) **U.S. Cl.** **D16/242**

(58) **Field of Classification Search** D16/237,
D16/242, 244, 245; 248/176.1, 176.3, 177.1,
248/185.1, 187.1; 352/243; 396/419, 428
See application file for complete search history.

FIG. 1 is a perspective view of the camera component of the
present invention;
FIG. 2 is a top plan view of the camera component of FIG. 1;
FIG. 3 is a bottom plan view of the camera component of FIG.
1;
FIG. 4 is a left-side elevational view of the camera component
of FIG. 1;
FIG. 5 is a right-side elevational view of the camera compo-
nent of FIG. 1;
FIG. 6 is a front elevational view of the camera component of
FIG. 1; and,
FIG. 7 is a bottom plan view of the camera component of FIG.
1.

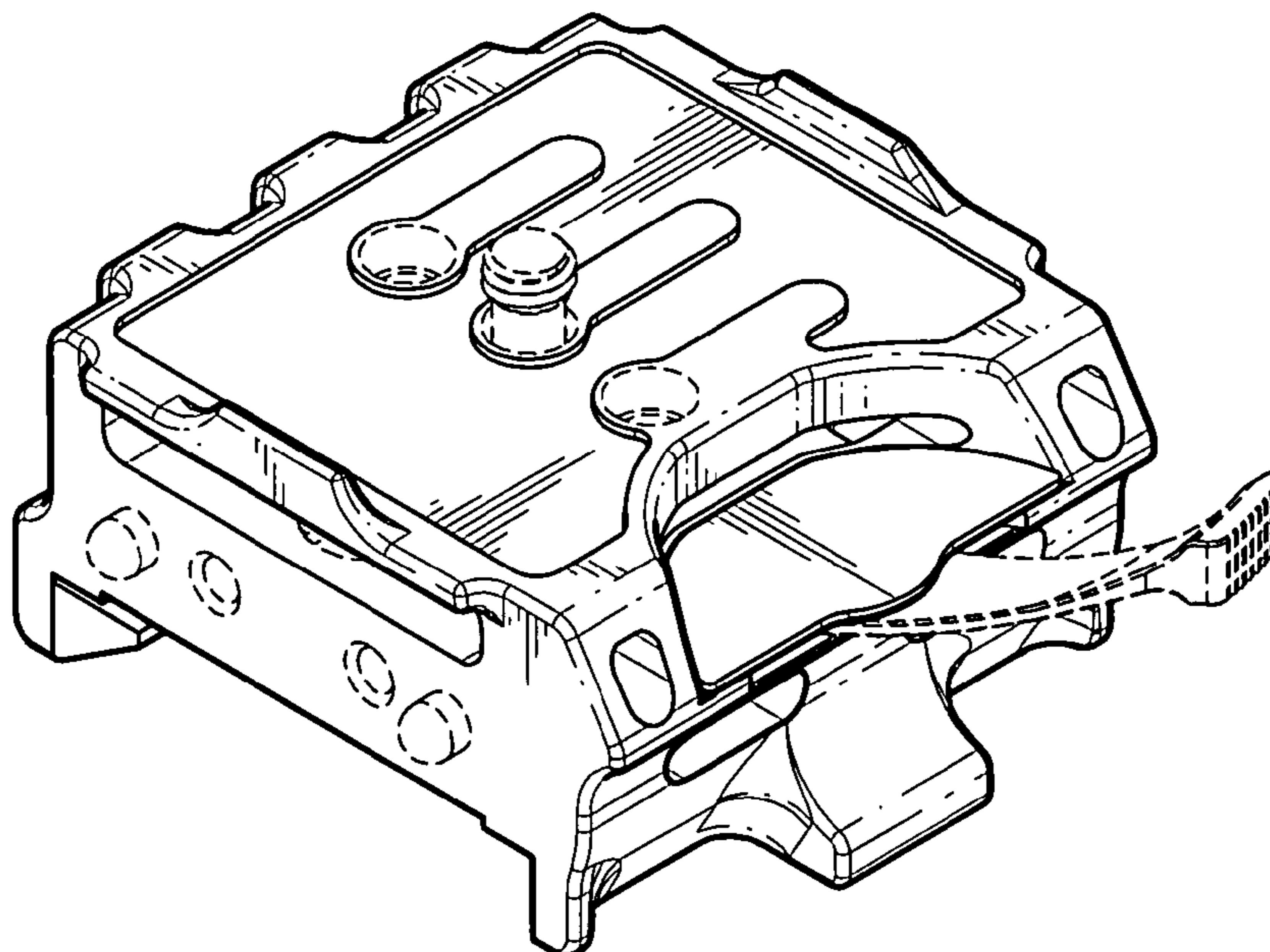
The broken line showing on the drawing disclosure is for
illustrative purposes only and forms no part of the claimed
design.

(56) **References Cited**

U.S. PATENT DOCUMENTS

D292,982 S * 12/1987 Nakatani D16/245
5,429,332 A 7/1995 Ishikawa
D399,230 S 10/1998 Tenne
6,196,504 B1 * 3/2001 Lemke 248/187.1
D483,789 S 12/2003 Dordick
D602,974 S * 10/2009 Zen D16/245
D604,352 S * 11/2009 Carlesso D16/245

1 Claim, 5 Drawing Sheets



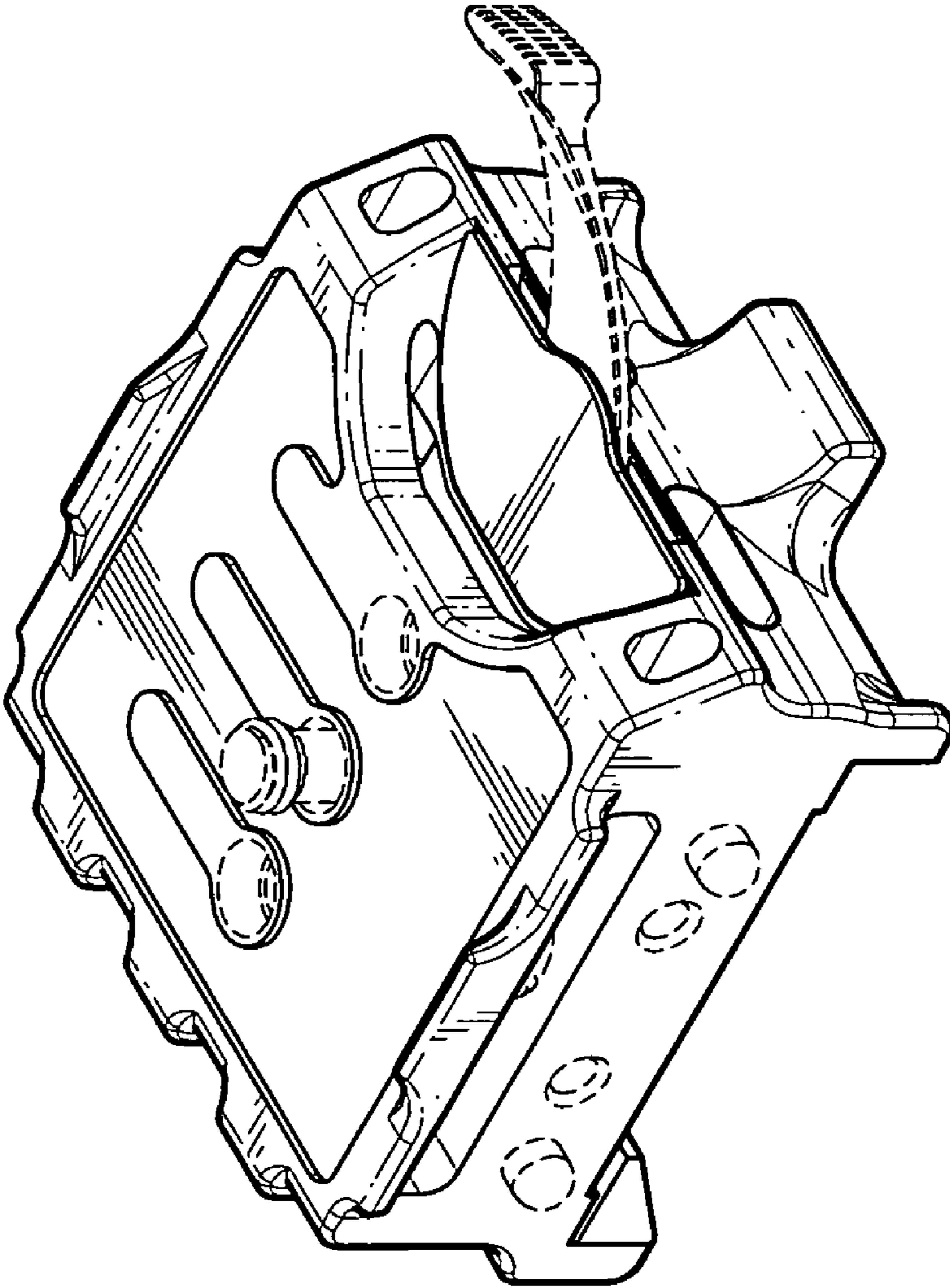


FIG. 1

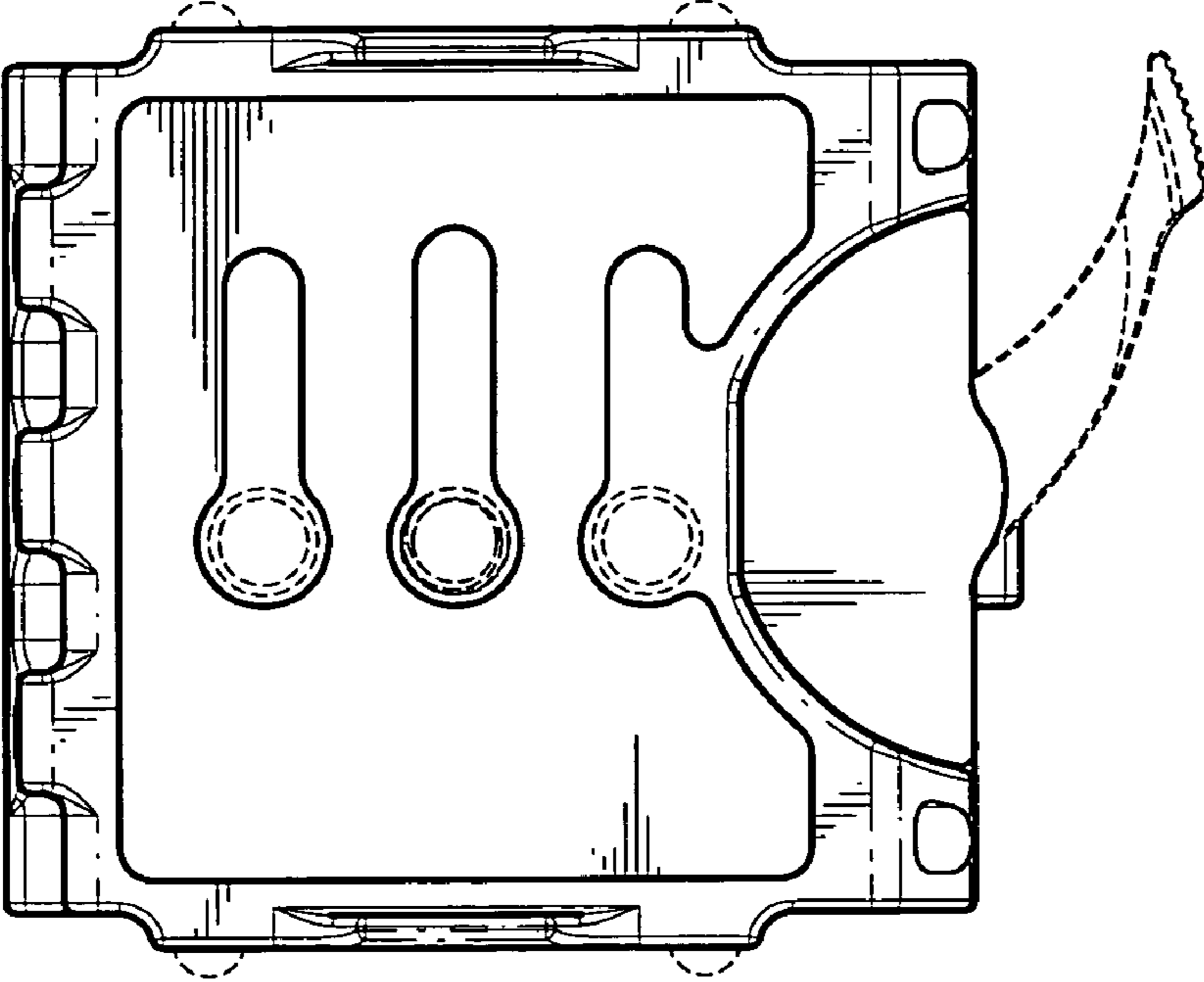


FIG. 2

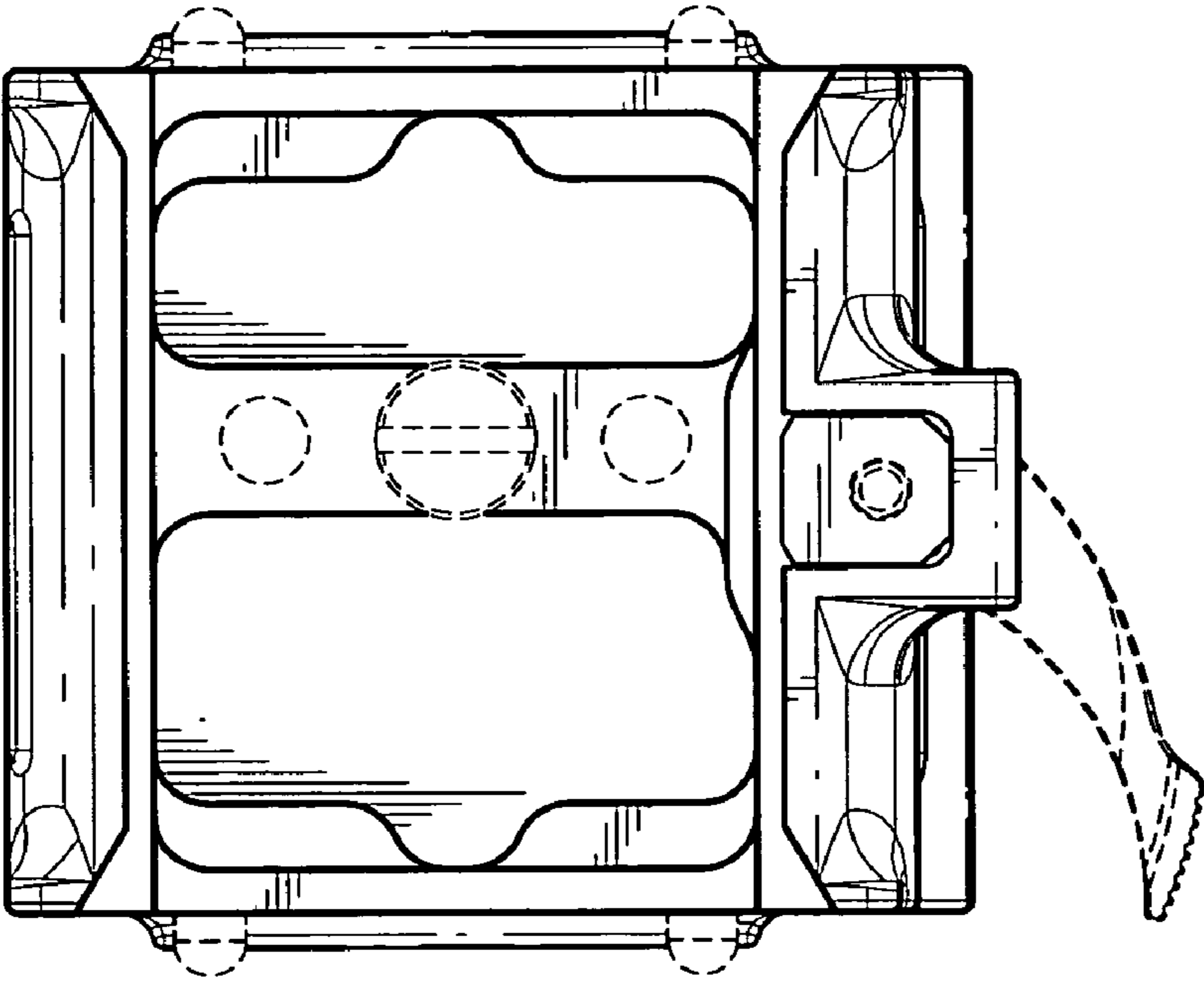


FIG. 3

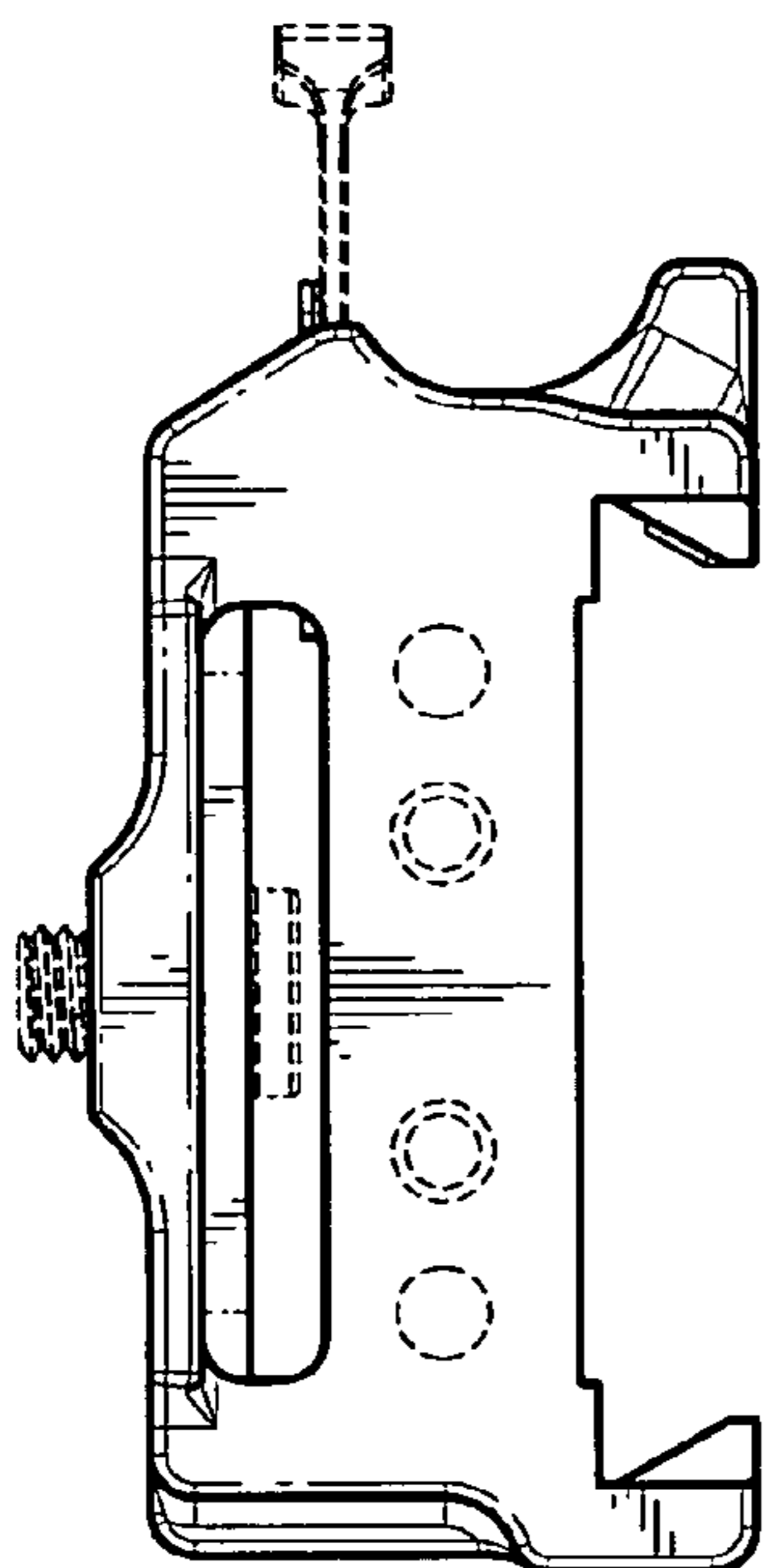


FIG. 4

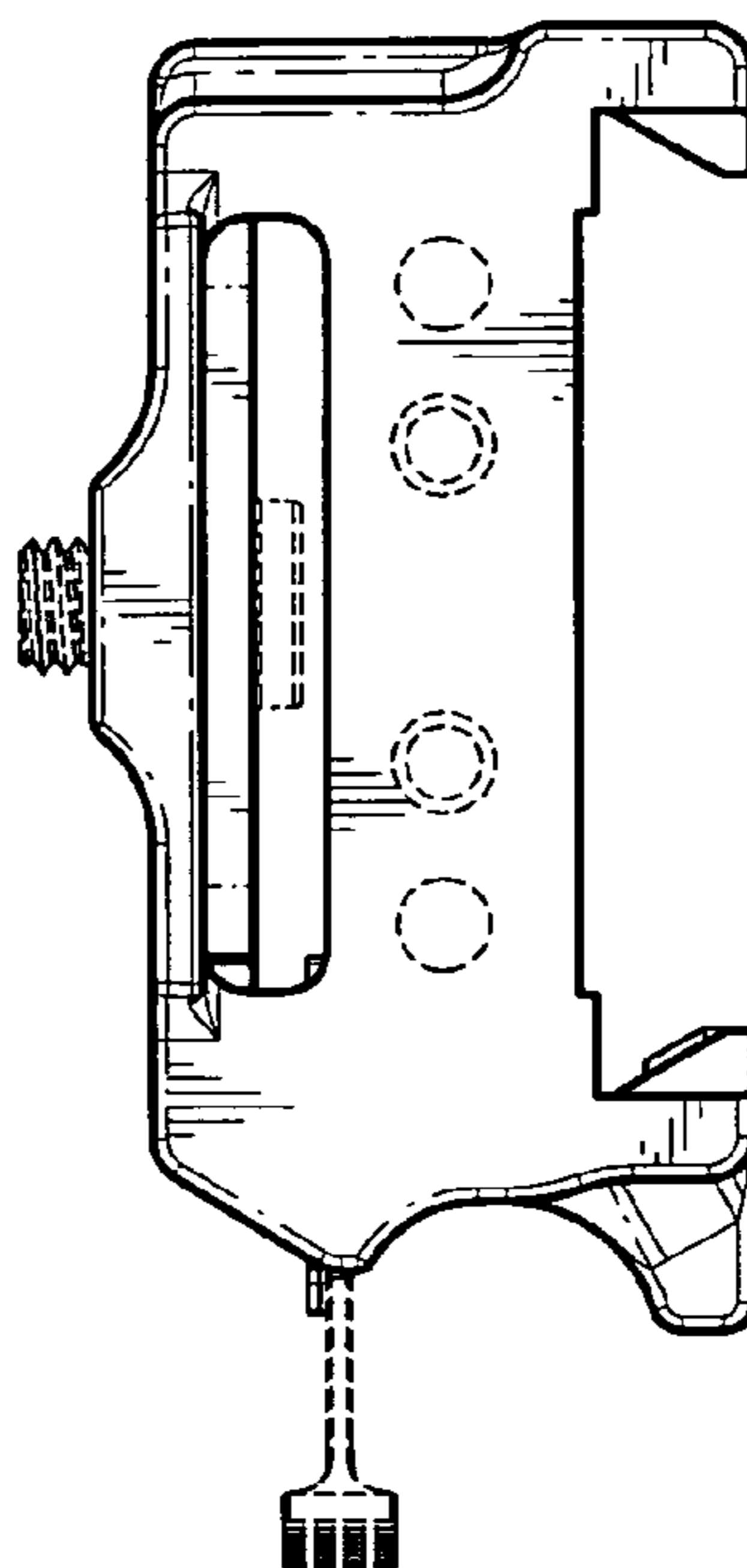


FIG. 5

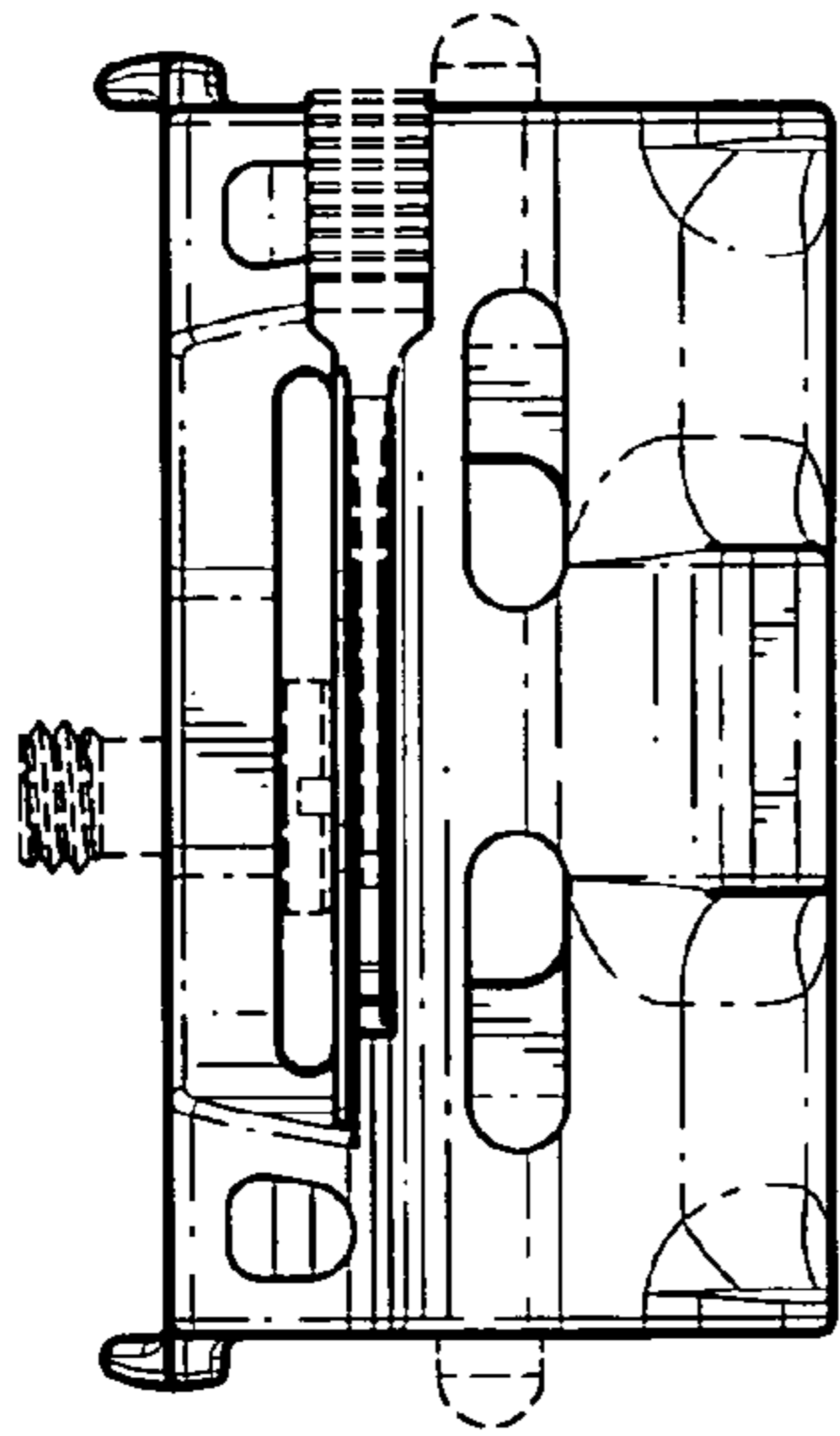


FIG. 6

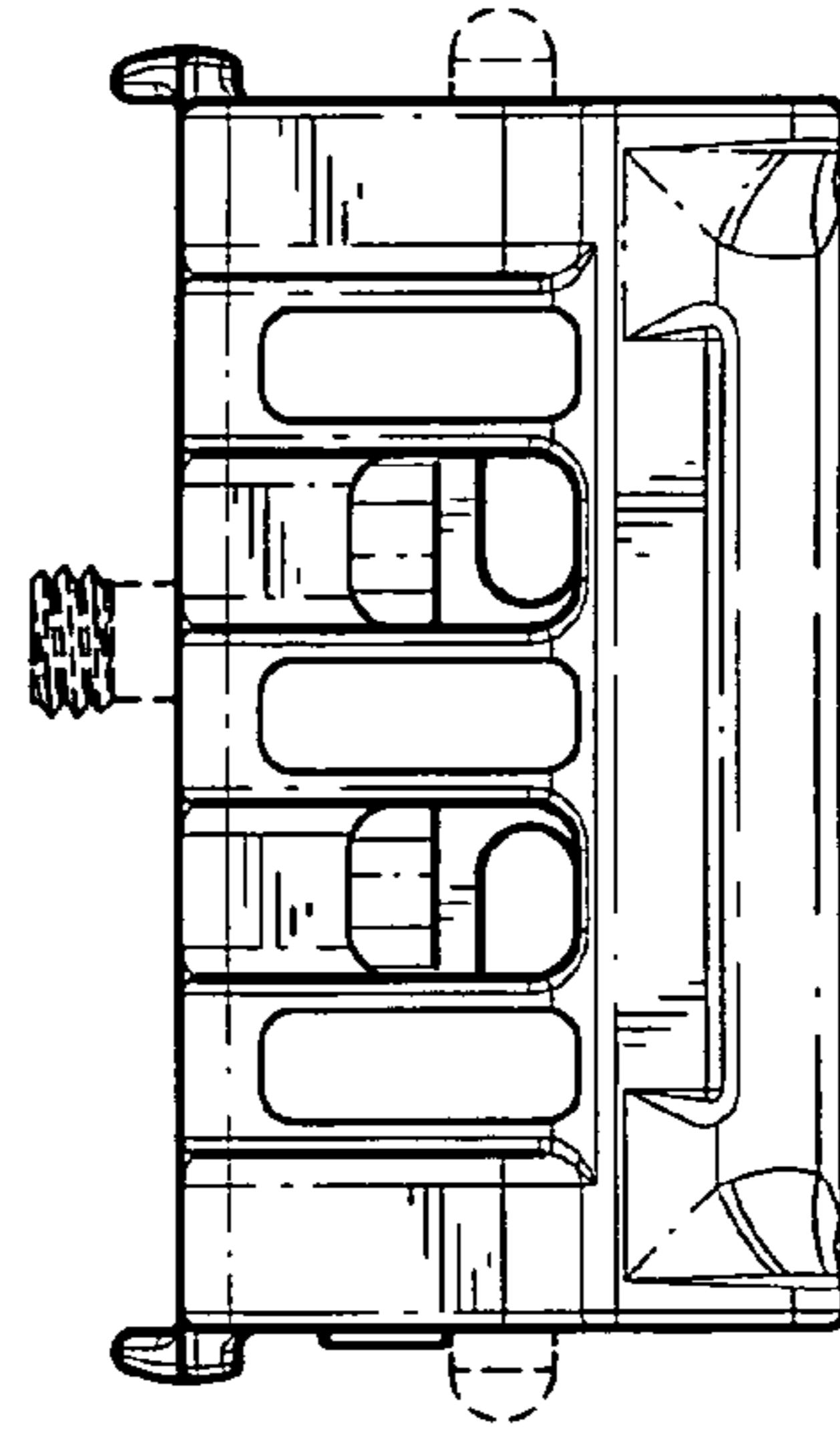


FIG. 7