



US00D675660S

(12) **United States Design Patent**  
**Su**

(10) **Patent No.:** **US D675,660 S**

(45) **Date of Patent:** **\*\* Feb. 5, 2013**

(54) **WEB CAM**

(75) Inventor: **Chun-Yi Su**, New Taipei (TW)

(73) Assignee: **Hon Hai Precision Industry Co., Ltd.**,  
New Taipei (TW)

(\*\*) Term: **14 Years**

(21) Appl. No.: **29/412,799**

(22) Filed: **Feb. 8, 2012**

(51) **LOC (9) Cl.** ..... **16-01**

(52) **U.S. Cl.** ..... **D16/202; D16/242**

(58) **Field of Classification Search** ..... D16/200,  
D16/202, 203, 208, 218, 242; 248/187.1;  
348/373-375; 396/419, 535, 540, 541  
See application file for complete search history.

(56) **References Cited**

**U.S. PATENT DOCUMENTS**

D600,730 S \* 9/2009 Su ..... D16/202  
7,775,486 B2 \* 8/2010 Depay et al. .... 348/373  
D629,031 S \* 12/2010 Su et al. .... D16/202

D631,079 S \* 1/2011 Tzeng ..... D16/202  
D641,388 S \* 7/2011 Shih et al. .... D16/202  
D662,532 S \* 6/2012 Chang ..... D16/202  
D665,441 S \* 8/2012 McManigal ..... D16/218  
D669,111 S \* 10/2012 Ravi et al. .... D16/218

\* cited by examiner

*Primary Examiner* — Adir Aronovich

(74) *Attorney, Agent, or Firm* — Altis Law Group, Inc.

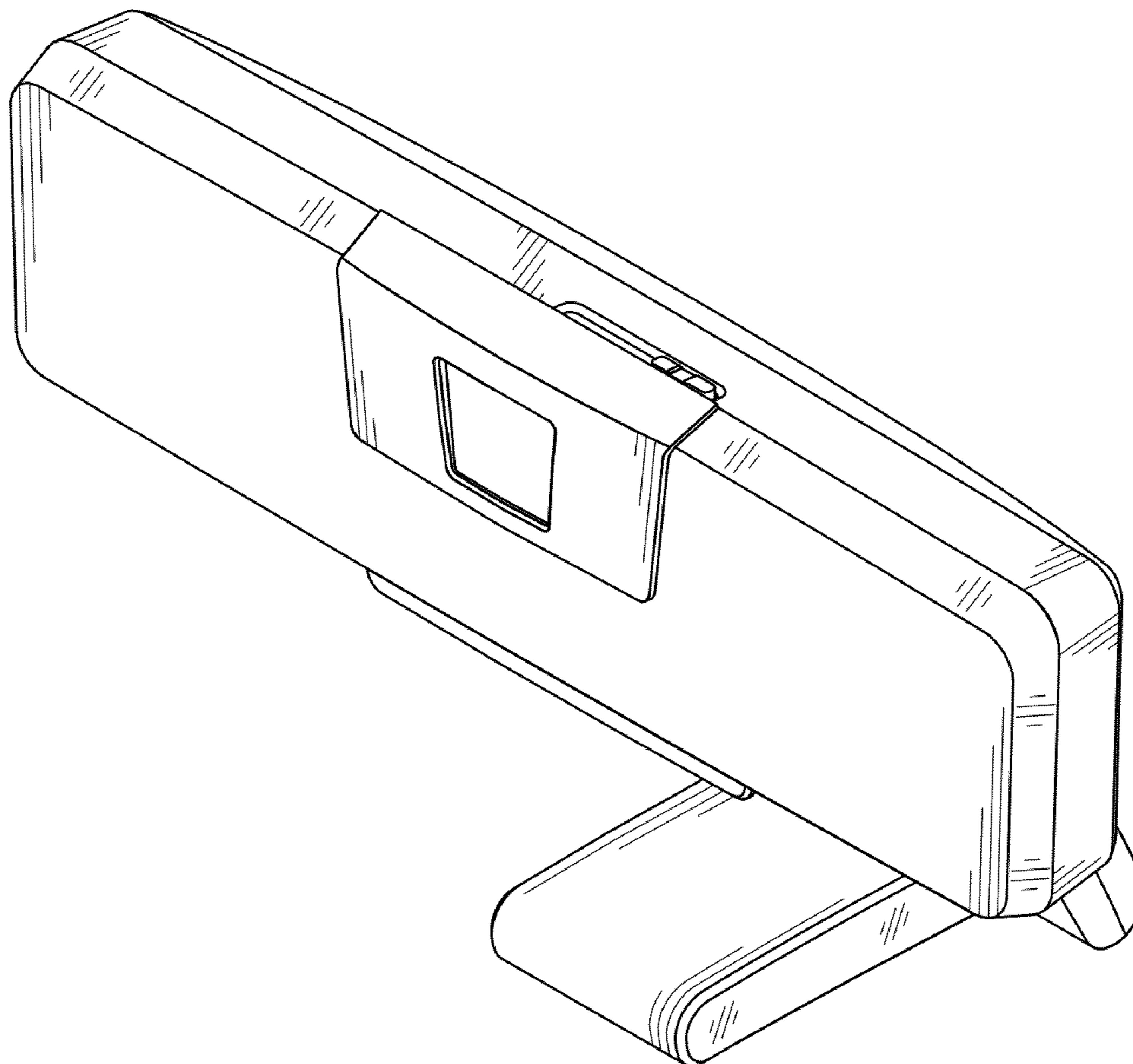
(57) **CLAIM**

The ornamental design for a web cam, as shown and described.

**DESCRIPTION**

FIG. 1 is a front and right perspective view of a web cam showing my new design;  
FIG. 2 is a right side elevational view thereof;  
FIG. 3 is a left side elevational view thereof;  
FIG. 4 is front elevational view thereof;  
FIG. 5 is rear elevational view thereof.  
FIG. 6 is a top plan view thereof; and,  
FIG. 7 is a bottom plan view thereof.

**1 Claim, 7 Drawing Sheets**



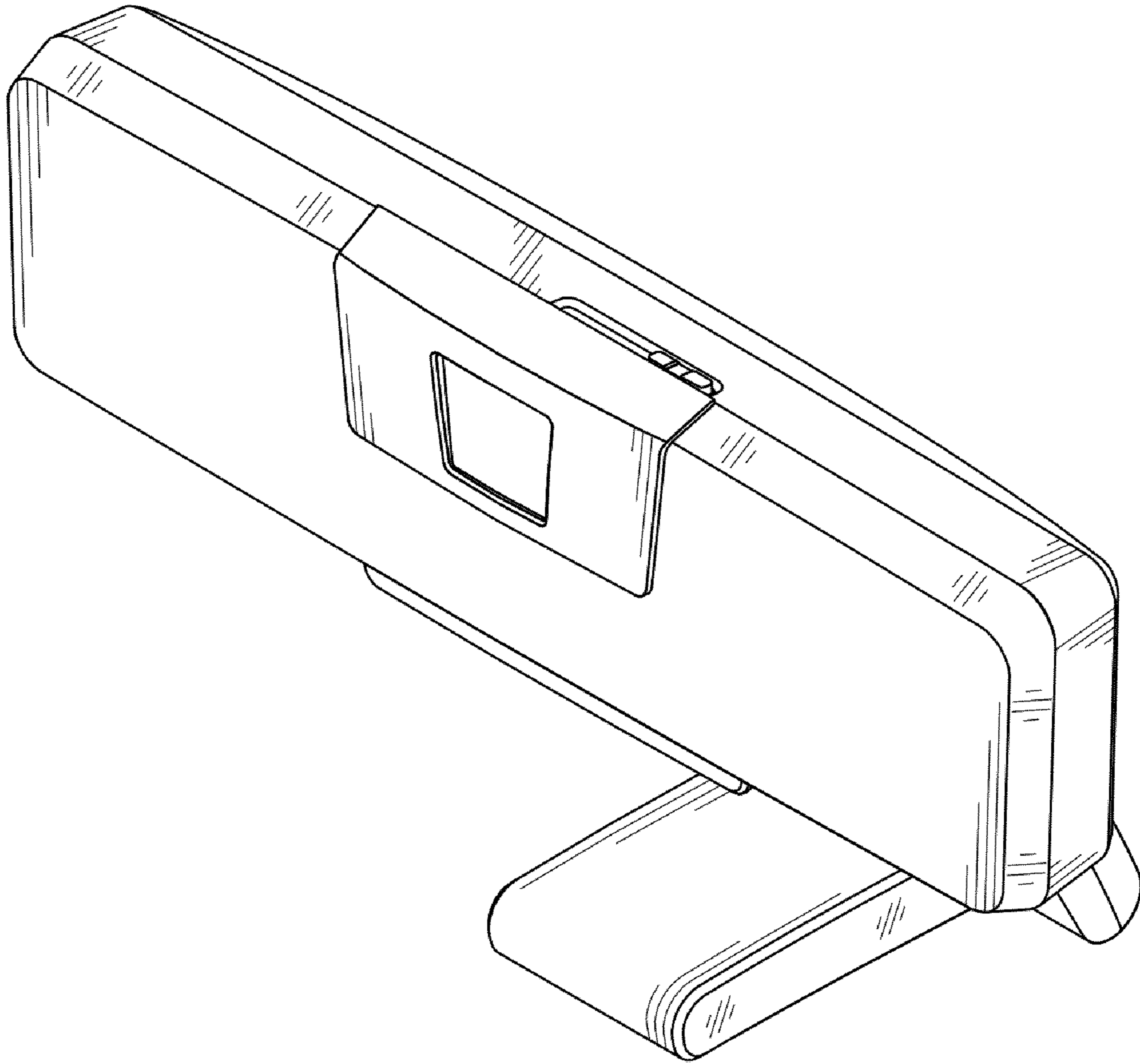


FIG. 1

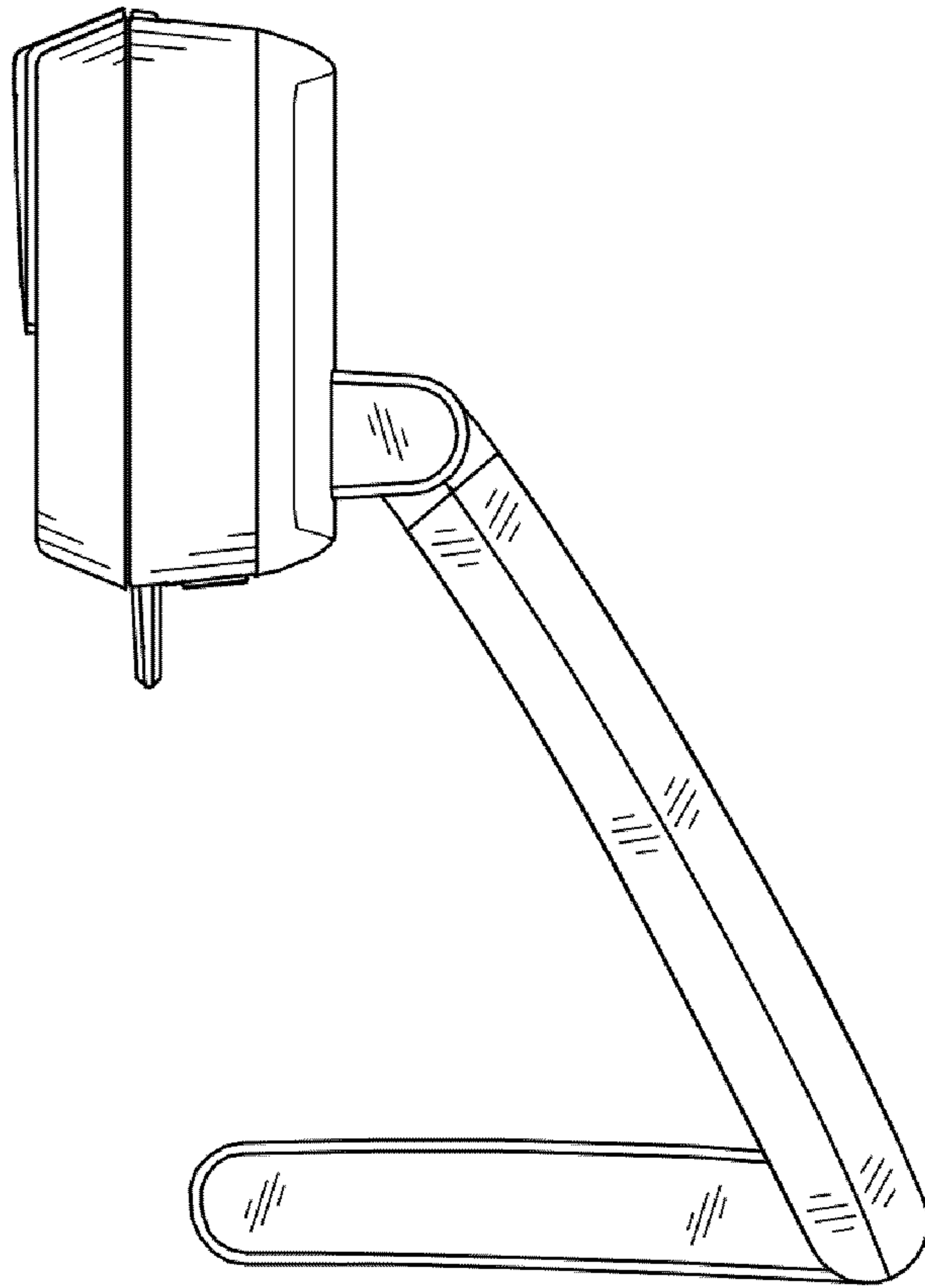


FIG. 2

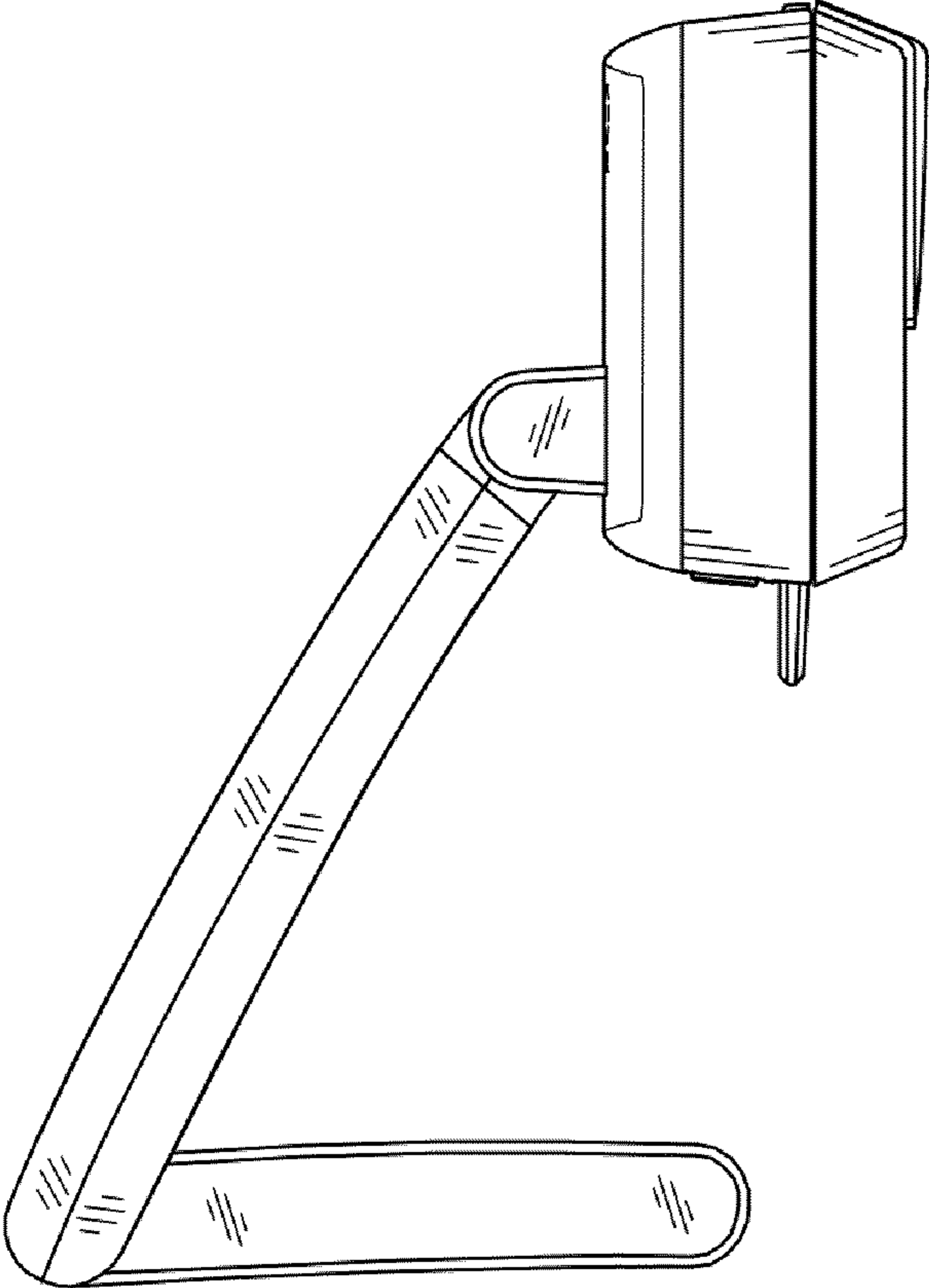


FIG. 3

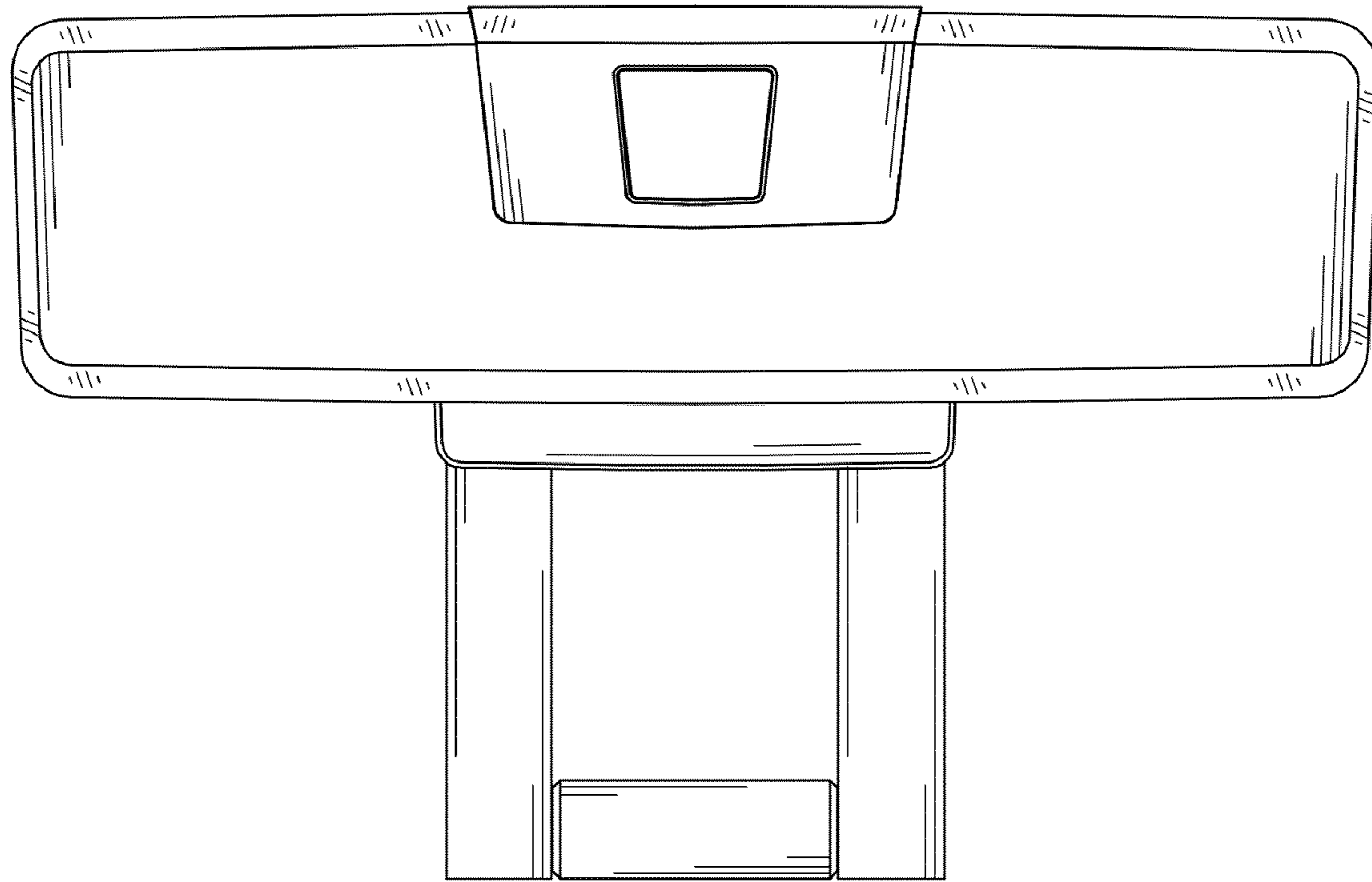


FIG. 4

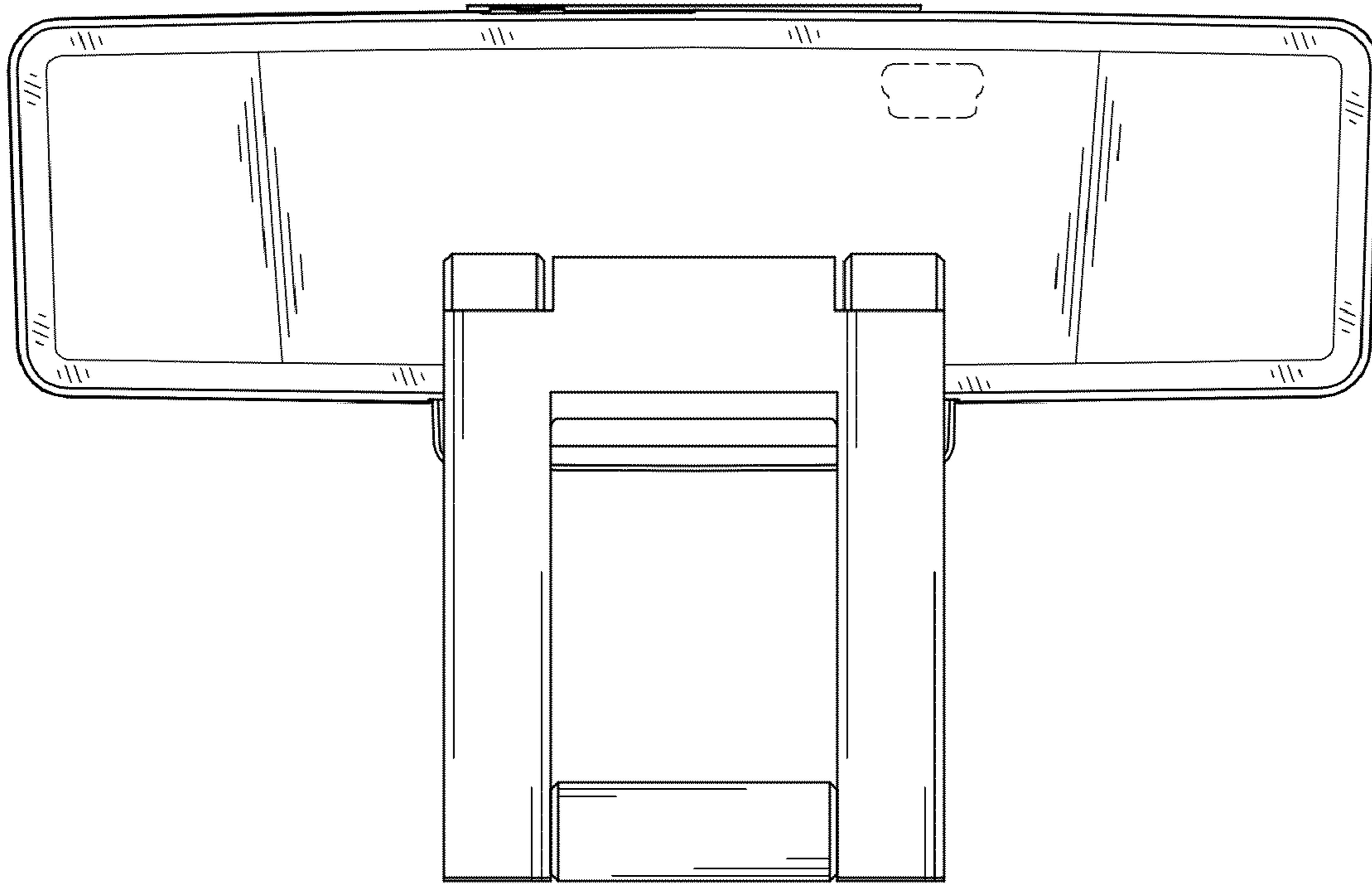


FIG. 5

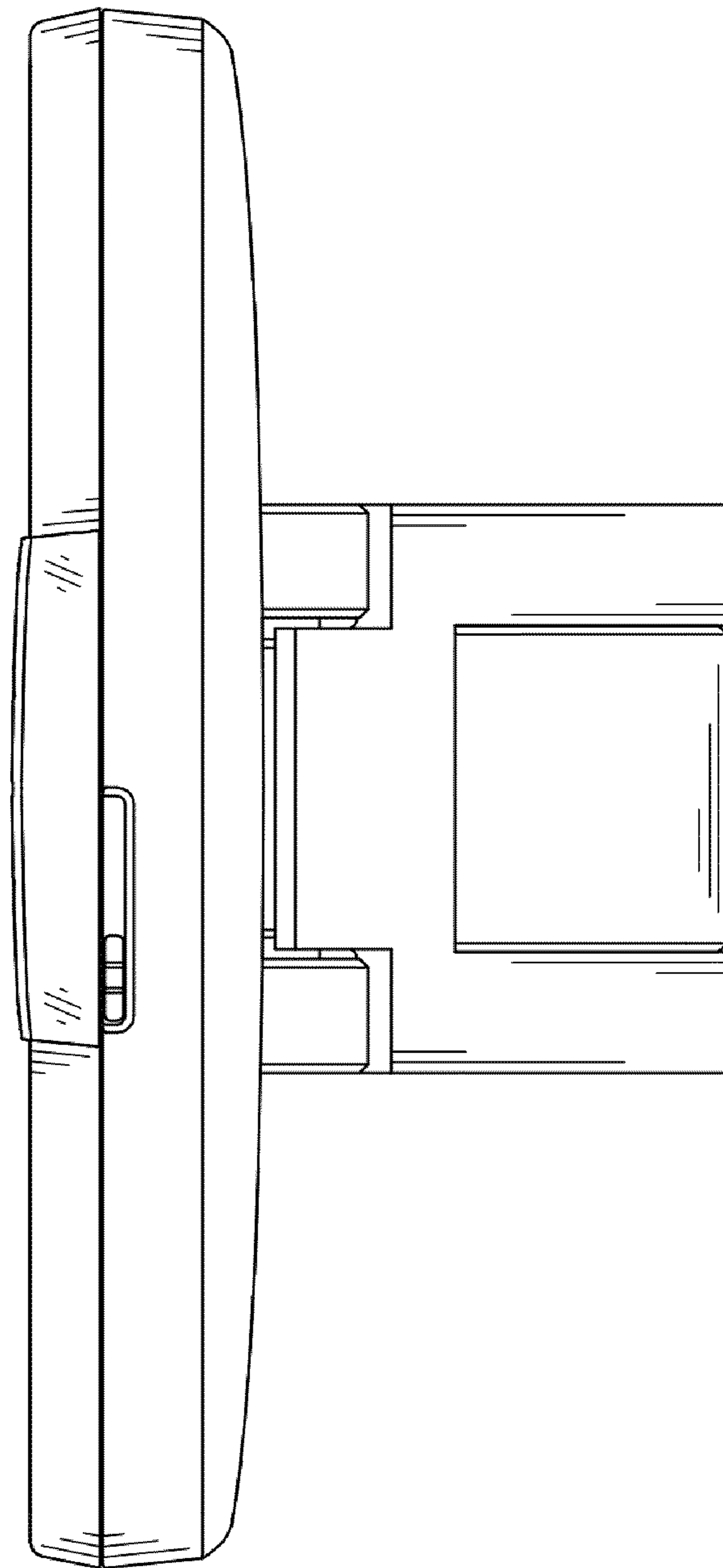


FIG. 6

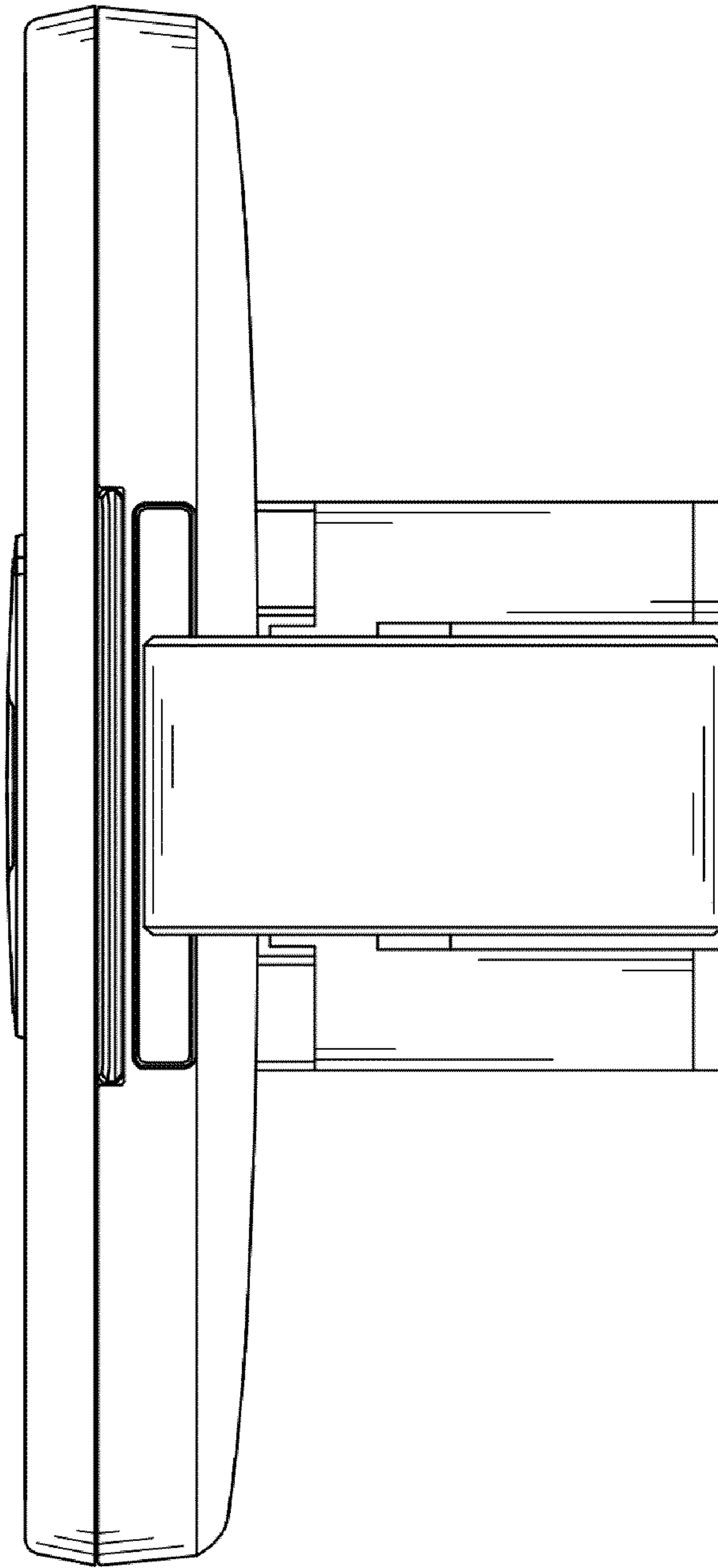


FIG. 7