



US00D675658S

(12) **United States Design Patent**
Apothéloz

(10) **Patent No.:** **US D675,658 S**

(45) **Date of Patent:** **** Feb. 5, 2013**

(54) **BASE FOR A STEREO MICROSCOPE**

(75) **Inventor:** **Christophe Apothéloz, Zurich (CH)**

(73) **Assignee:** **Leica Microsystems (Schweiz) AG, Heerbrugg (CH)**

(**) **Term:** **14 Years**

(21) **Appl. No.:** **29/410,769**

(22) **Filed:** **Jan. 12, 2012**

(30) **Foreign Application Priority Data**

Jul. 13, 2011 (EM) 001890849-0001

(51) **LOC (9) Cl.** **16-06**

(52) **U.S. Cl.** **D16/131**

(58) **Field of Classification Search** D16/130,
D16/131, 136; 359/393, 376, 389, 462, 388,
359/390

See application file for complete search history.

(56) **References Cited**

U.S. PATENT DOCUMENTS

D260,402 S *	8/1981	Hodgson	D16/131
4,284,327 A *	8/1981	Kraft et al.	359/388
D291,702 S *	9/1987	Kahute	D16/131
4,863,252 A *	9/1989	McCarthy et al.	359/376
5,991,005 A *	11/1999	Horikawa et al.	355/53
D459,744 S *	7/2002	Apothéloz	D16/131

D498,247 S *	11/2004	Suzuki et al.	D16/131
D540,835 S *	4/2007	Apothéloz	D16/131
D546,357 S *	7/2007	Apothéloz	D16/135
D611,972 S *	3/2010	Apothéloz	D16/131

* cited by examiner

Primary Examiner — Paula Greene

(74) *Attorney, Agent, or Firm* — Crowell & Moring LLP

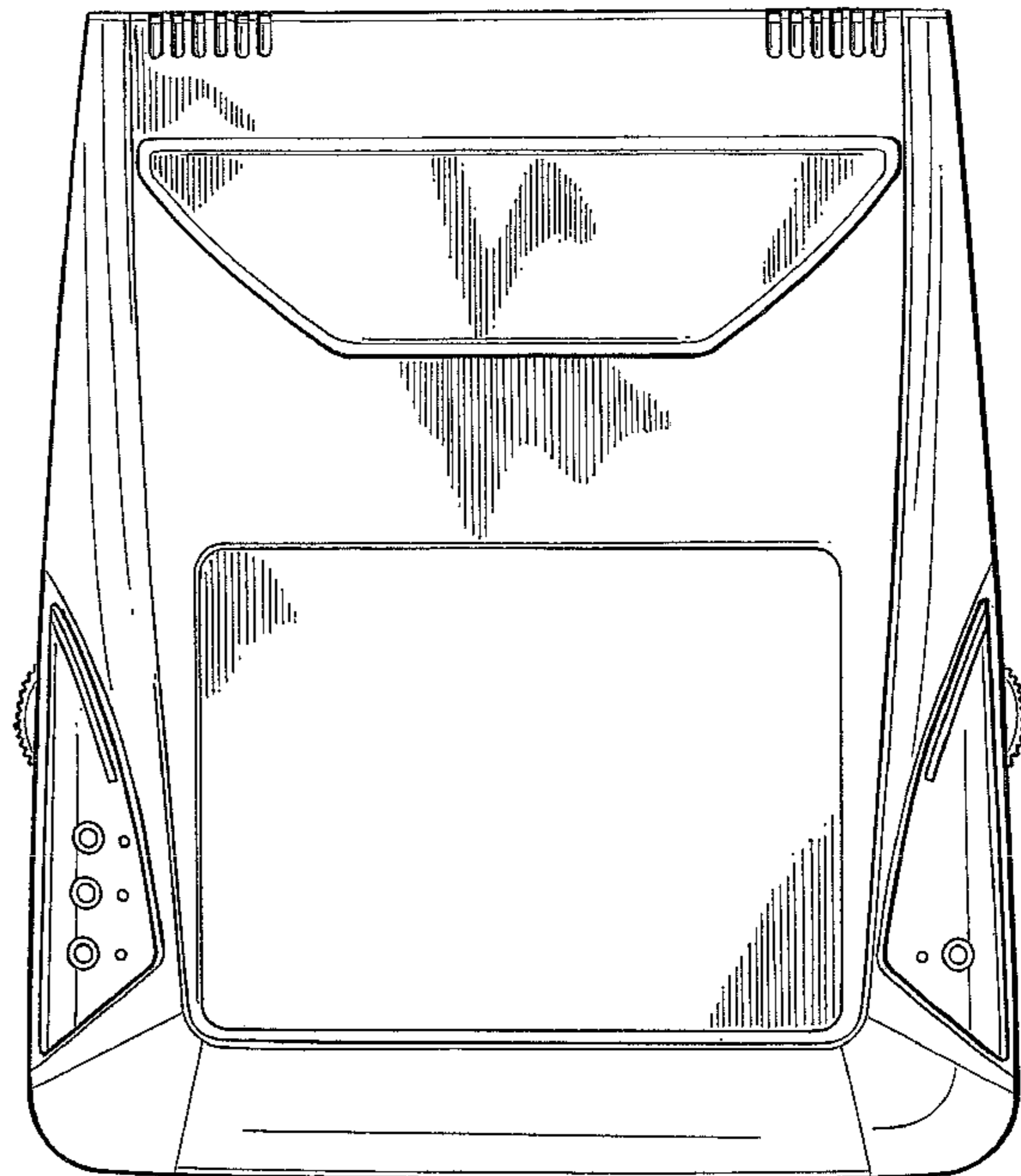
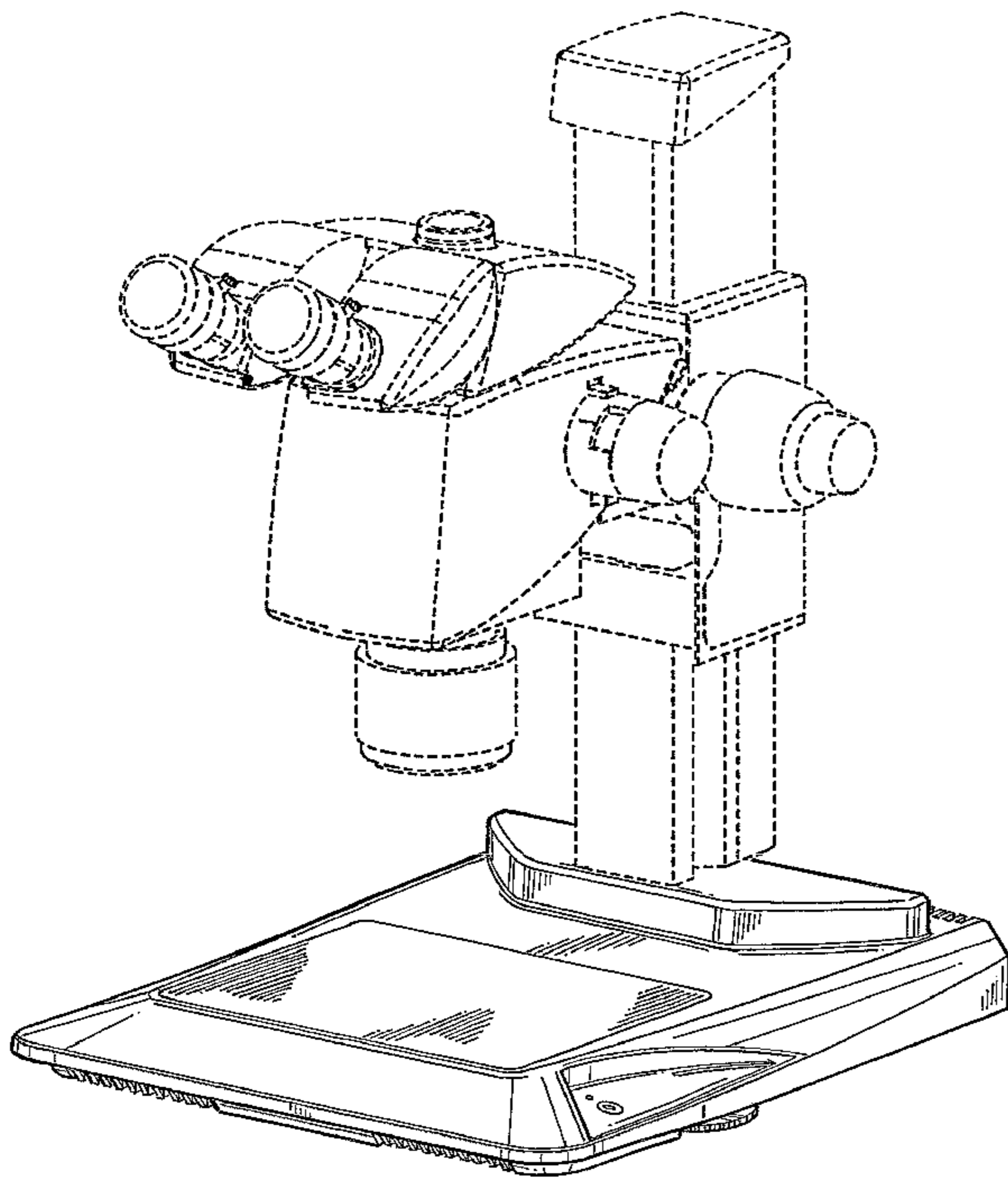
(57) **CLAIM**

The ornamental design for a base for a stereo microscope, as shown and described.

DESCRIPTION

FIG. 1 is a perspective view of a base for a stereo microscope according to my design, including a microscope in broken lines for illustration of a possible environment;
 FIG. 2 is a top, right, front perspective view of a base for a stereo microscope according to my design;
 FIG. 3 is a front view thereof;
 FIG. 4 is a rear view thereof;
 FIG. 5 is a right side view thereof;
 FIG. 6 is a left side view thereof;
 FIG. 7 is a top view thereof;
 FIG. 8 is a bottom view thereof; and,
 FIG. 9 is a bottom, left, rear perspective view thereof.
 The broken lines are for illustrative purposes only and form no part of the claimed design.

1 Claim, 6 Drawing Sheets



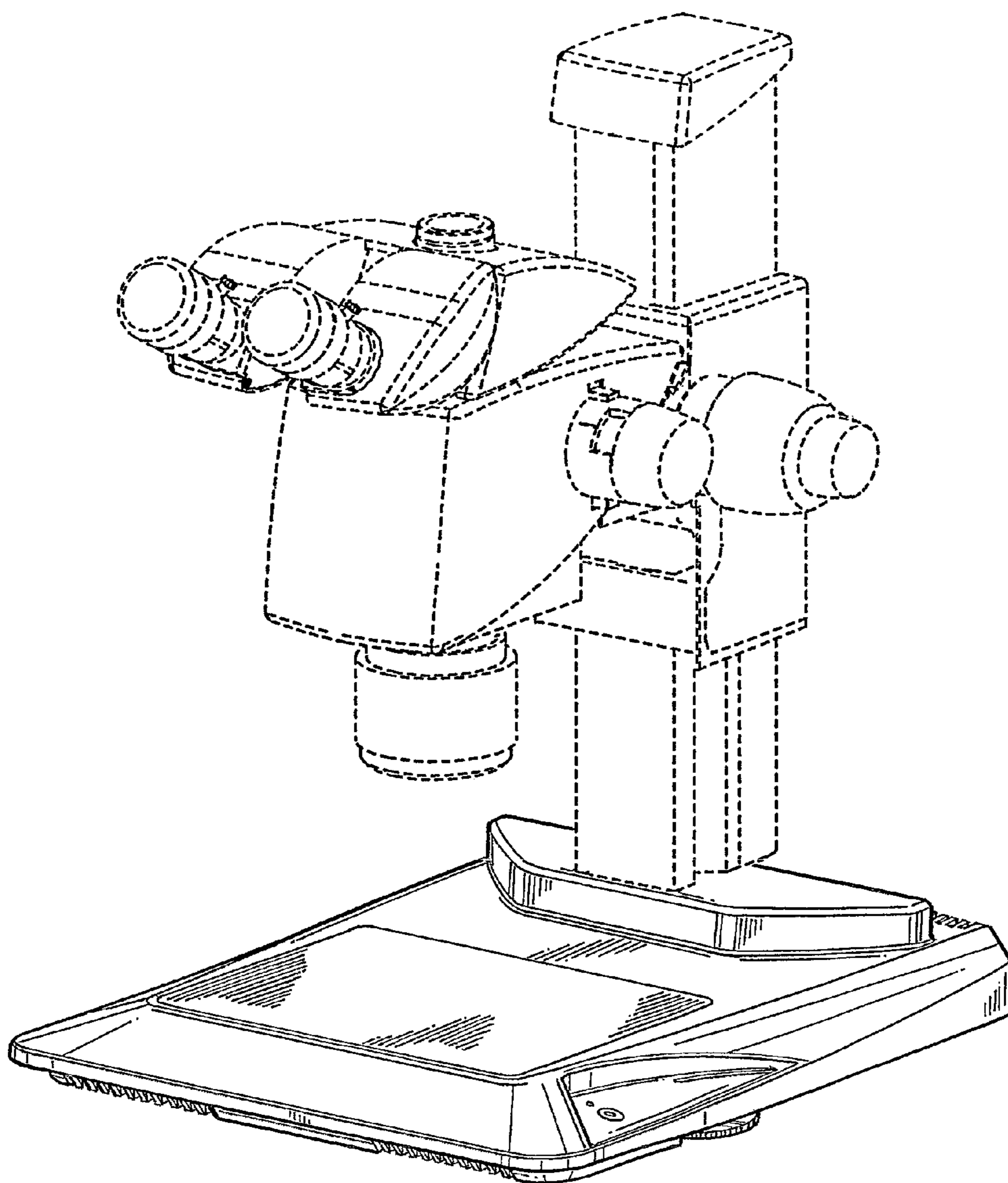


FIG. 1

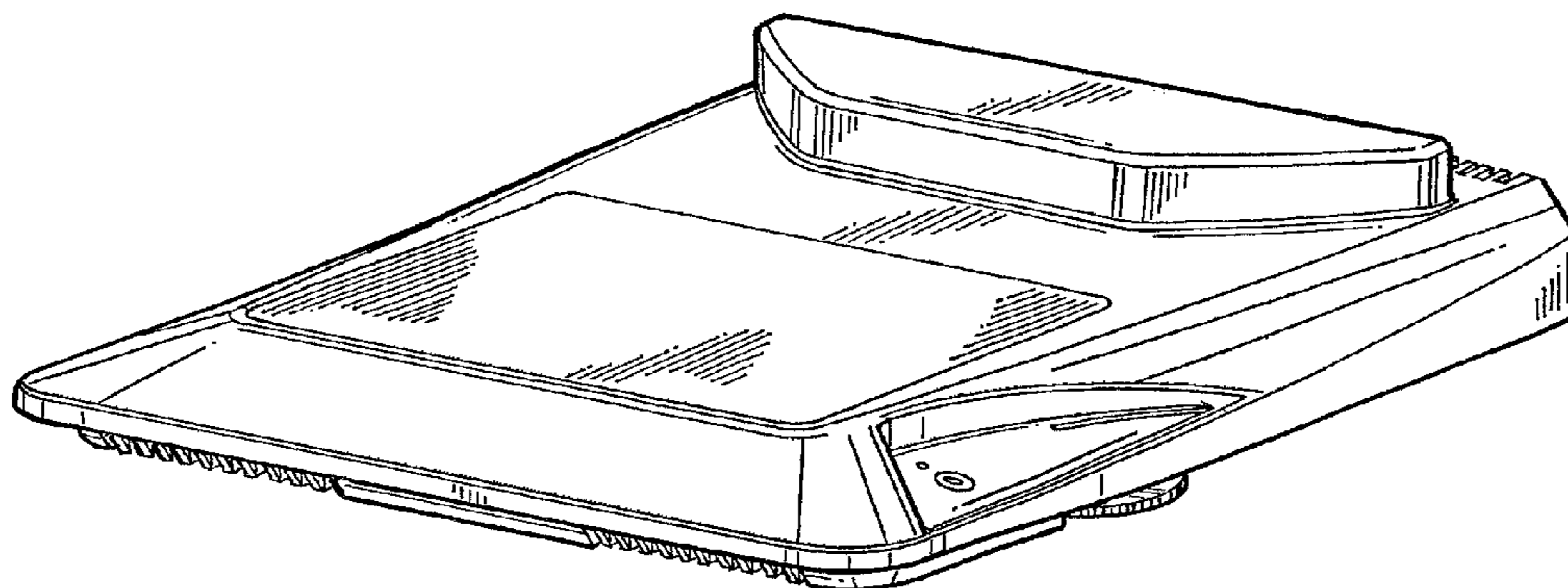


FIG. 2

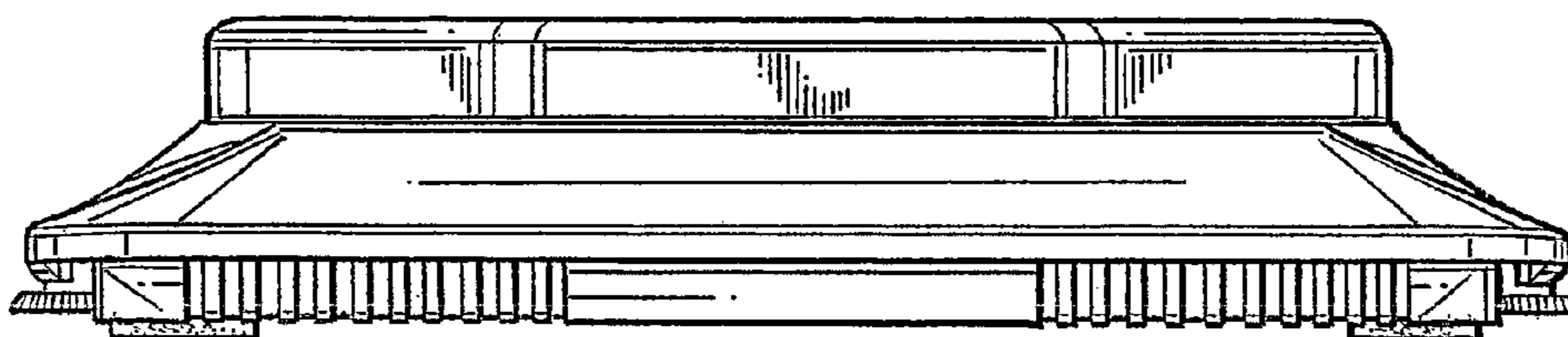


FIG. 3

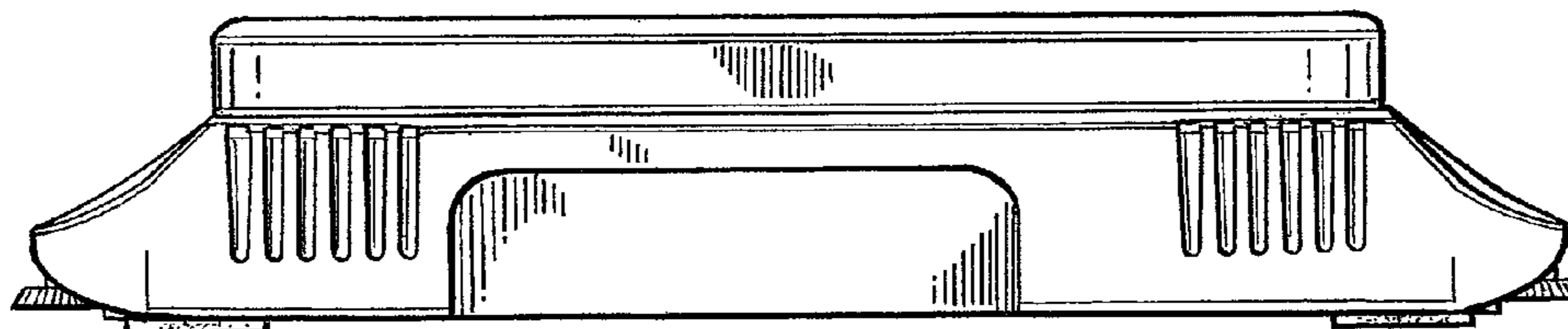


FIG. 4

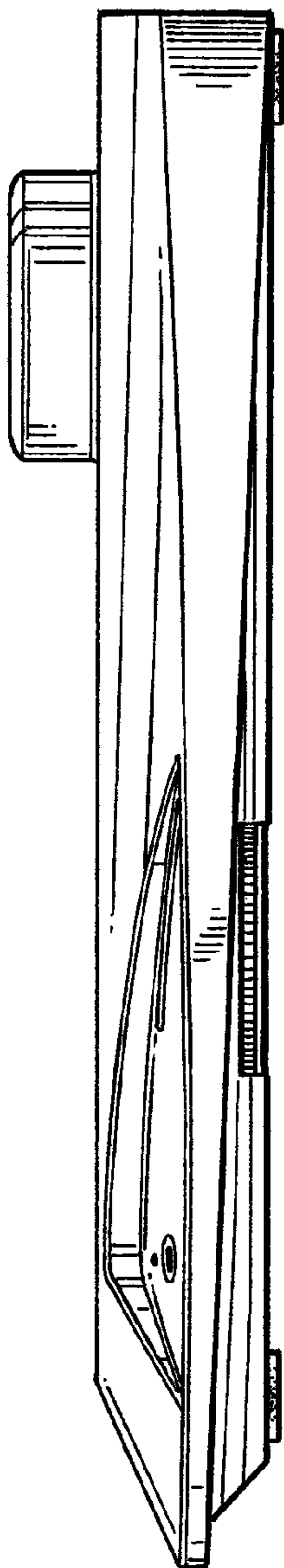


FIG. 5

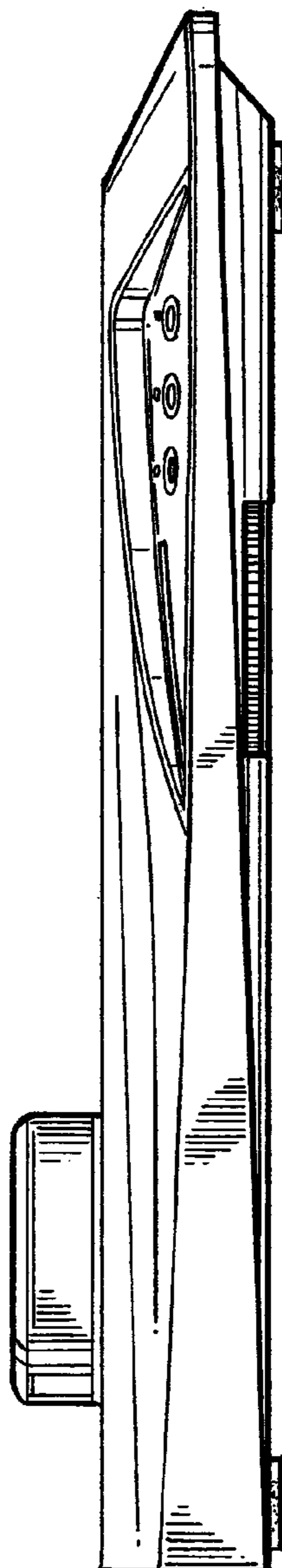


FIG. 6

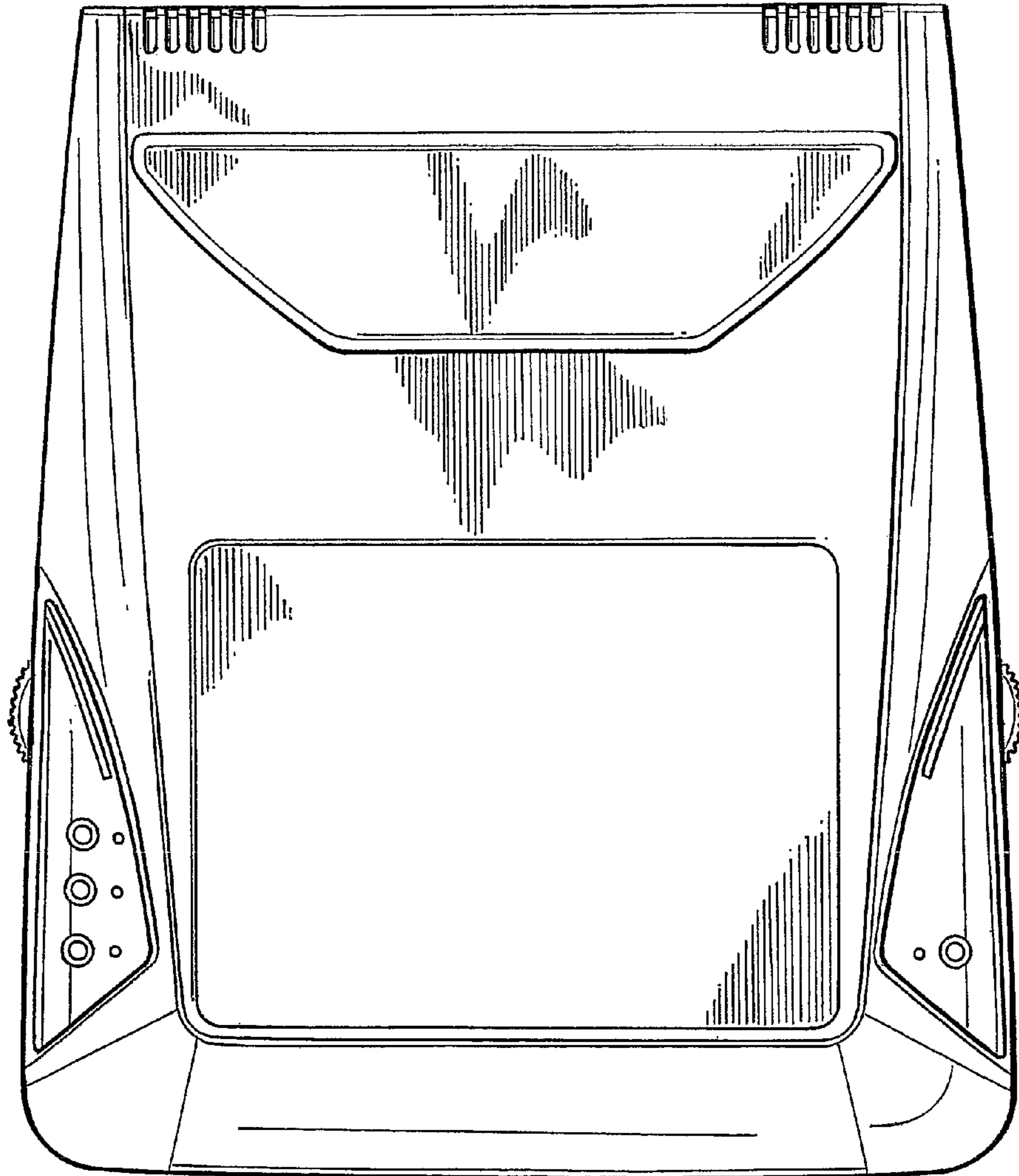


FIG. 7

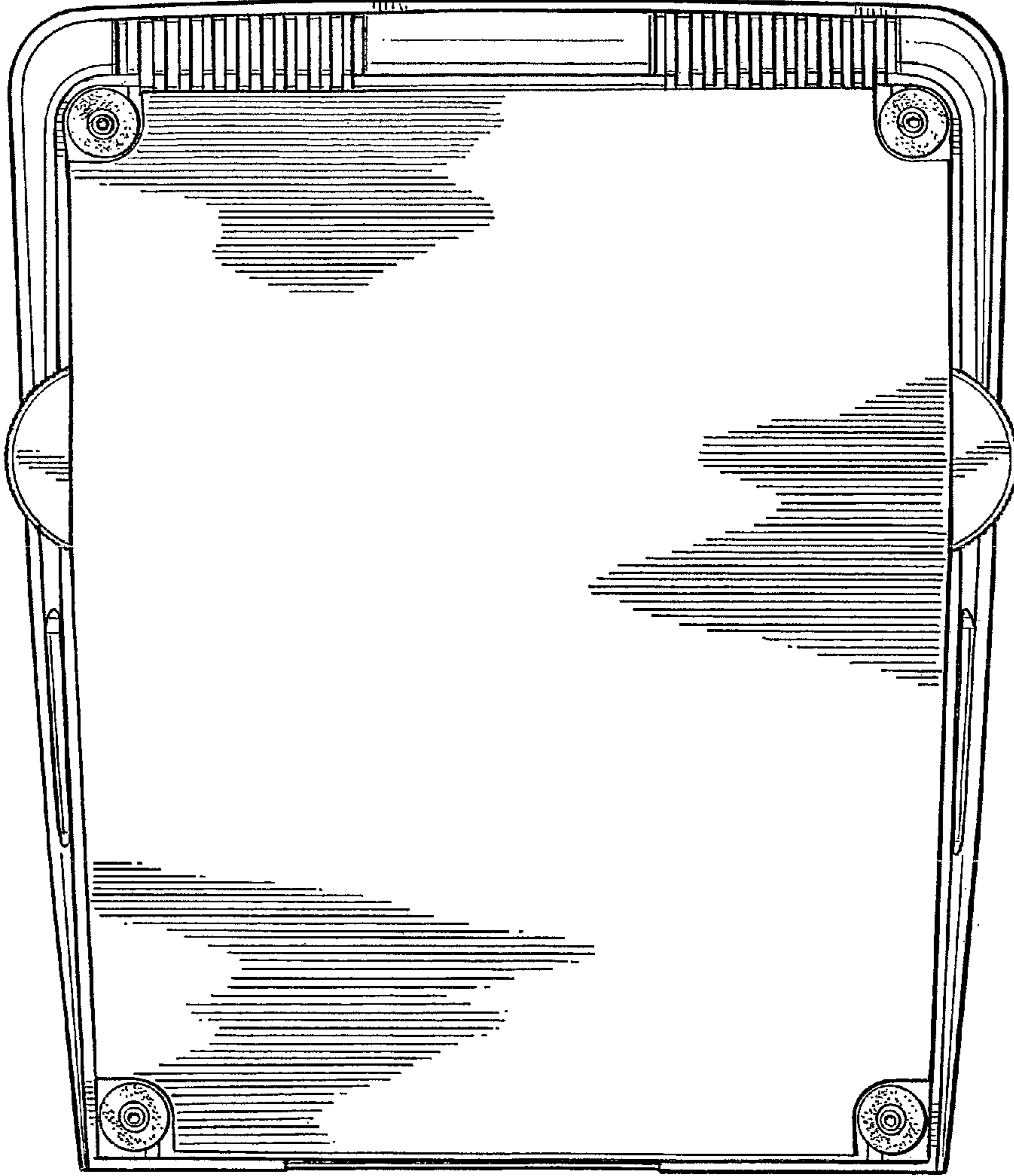


FIG. 8

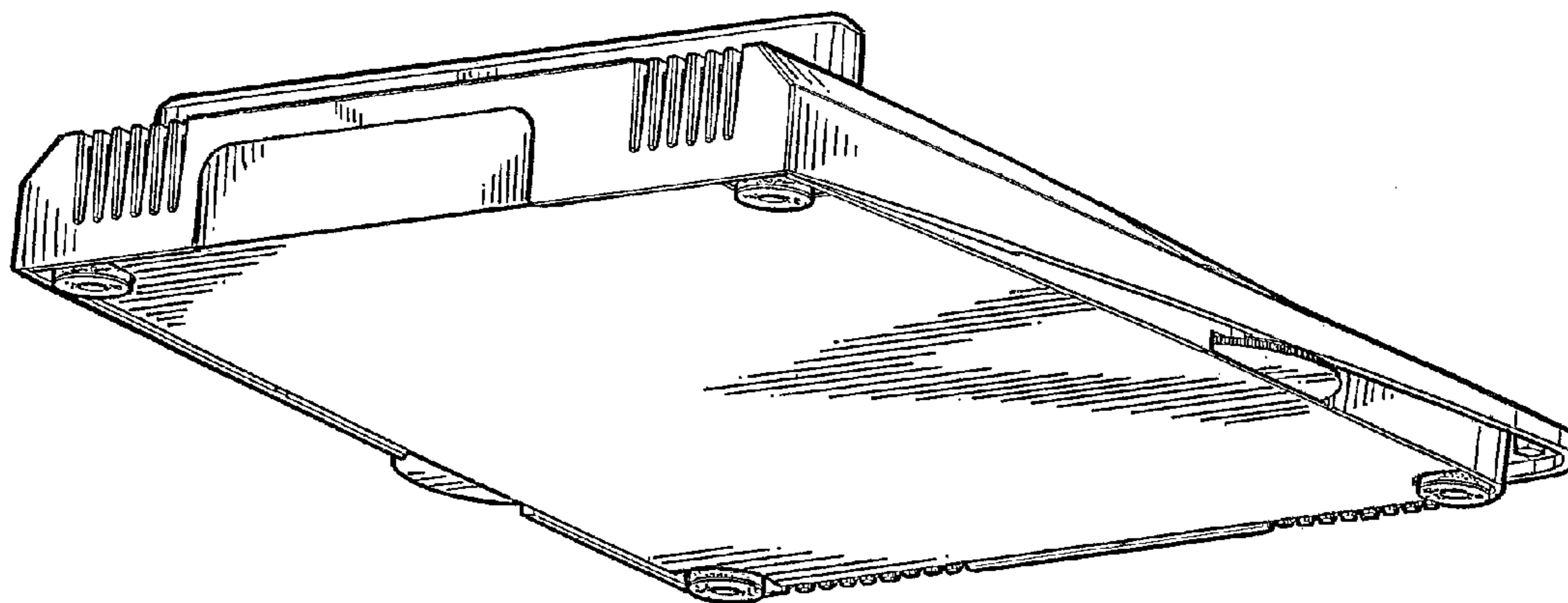


FIG. 9