



US00D675657S

(12) **United States Design Patent**
Muto

(10) **Patent No.:** **US D675,657 S**

(45) **Date of Patent:** **** Feb. 5, 2013**

(54) **DESKTOP ROBOT**

(75) **Inventor:** **Hideki Muto**, Tokyo (JP)

(73) **Assignee:** **Janome Sewing Machine Company Limited**, Tokyo (JP)

(**) **Term:** **14 Years**

(21) **Appl. No.:** **29/411,411**

(22) **Filed:** **Jan. 20, 2012**

(51) **LOC (9) Cl.** **15-99**

(52) **U.S. Cl.** **D15/199**

(58) **Field of Classification Search** D15/199;
D24/176; 29/434, 568; 74/490.01, 490.02,
74/490.03, 490.05; 219/124.34, 639; 318/560;
408/234, 237, 434; 409/202, 212, 235; 700/99,
700/150

See application file for complete search history.

(56) **References Cited**

U.S. PATENT DOCUMENTS

4,583,909 A * 4/1986 Yamashita et al. 414/749.1
D289,406 S * 4/1987 Shibayama et al. D15/199
D292,002 S * 9/1987 Shibayama et al. D15/199
D292,003 S * 9/1987 Imaizumi et al. D15/199

D366,054 S * 1/1996 Eguchi D15/199
5,575,318 A * 11/1996 Susnjara 144/2.1
D418,528 S * 1/2000 Honjo et al. D15/199
D455,163 S * 4/2002 Kawaguchi D15/199
6,409,642 B2 * 6/2002 Tominaga et al. 483/16
D645,488 S * 9/2011 Miyake et al. D15/199

* cited by examiner

Primary Examiner — Patricia Palasik

(74) *Attorney, Agent, or Firm* — Jacobson Holman PLLC

(57) **CLAIM**

The ornamental design for a desktop robot, as shown and described.

DESCRIPTION

FIG. 1 is a perspective view showing my new design for a desktop robot,

FIG. 2 is a front view thereof,

FIG. 3 is a rear view thereof,

FIG. 4 is a left side view thereof,

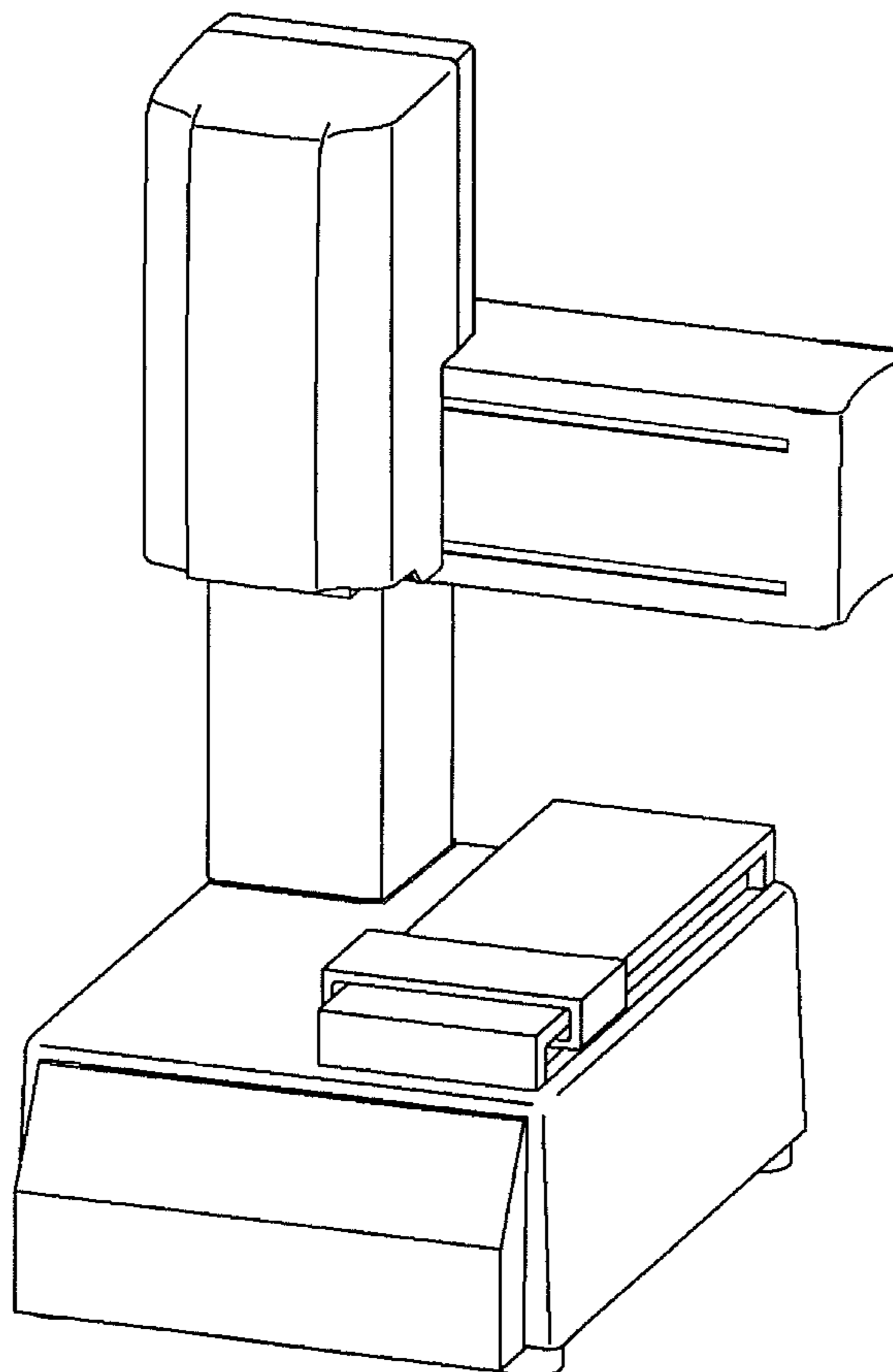
FIG. 5 is a right side view thereof,

FIG. 6 is a top view thereof; and,

FIG. 7 is a bottom view thereof.

The broken lines in the drawings depict unclaimed environmental subject matter.

1 Claim, 7 Drawing Sheets



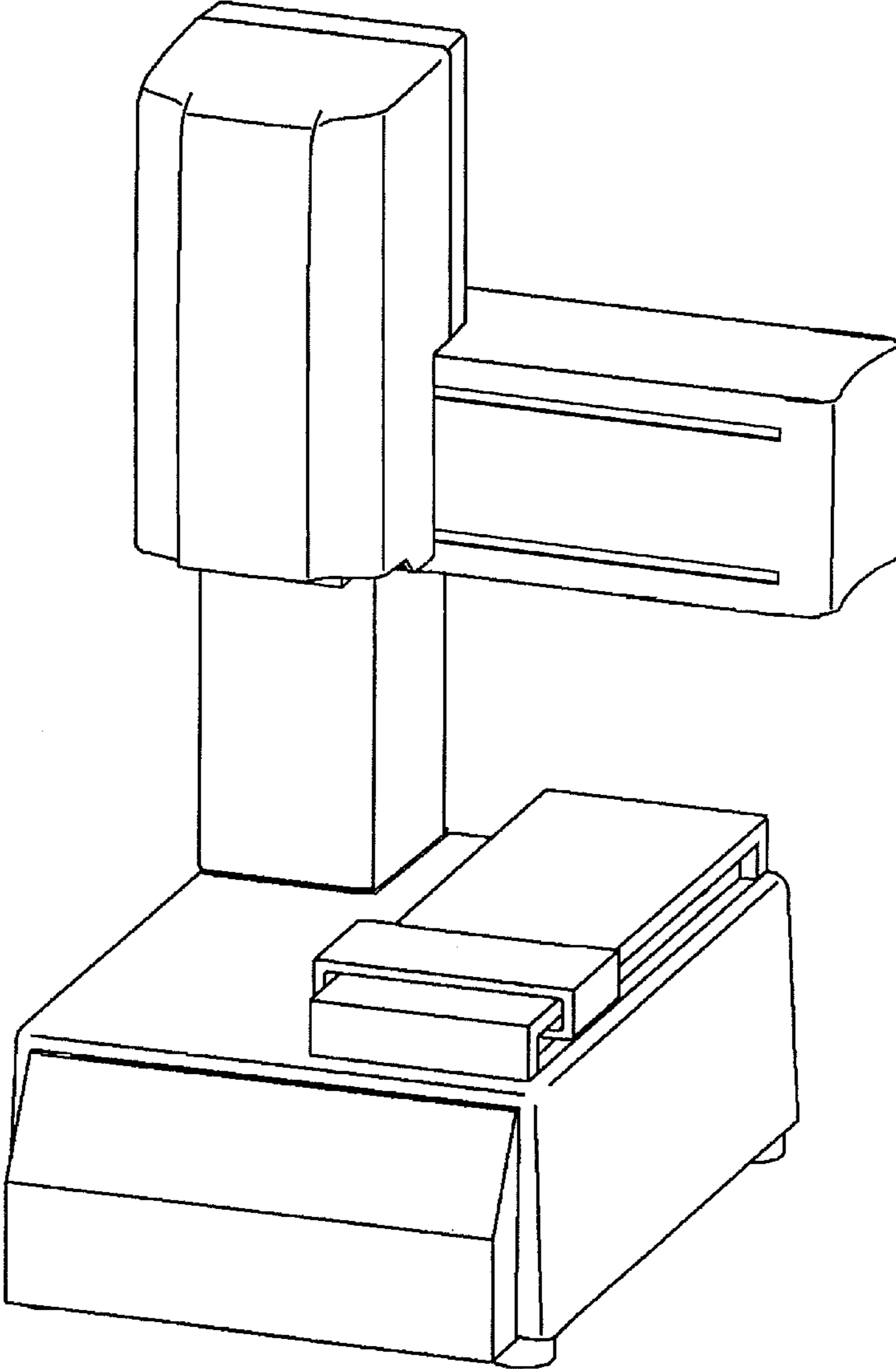


FIG. 1

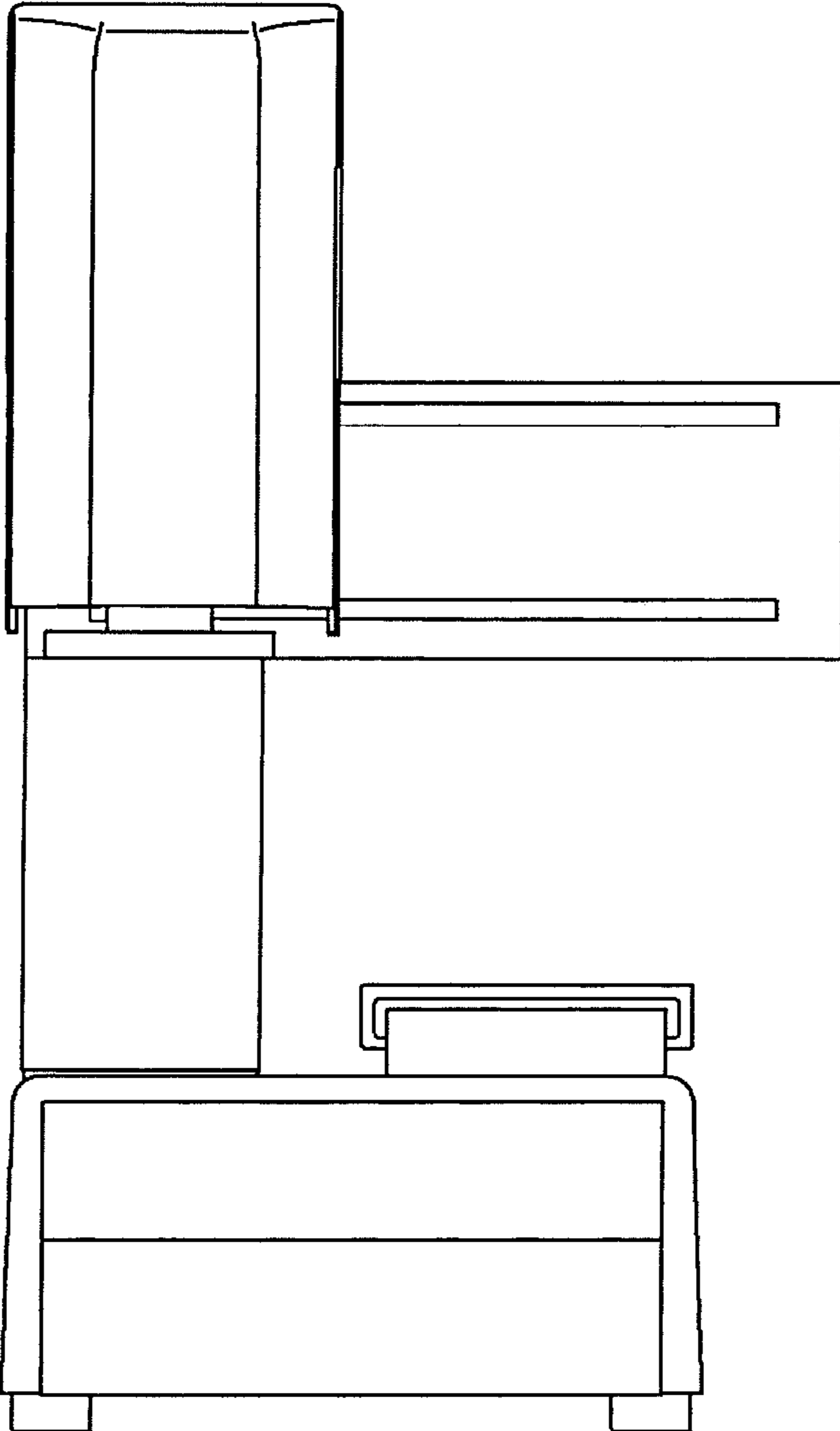


FIG. 2

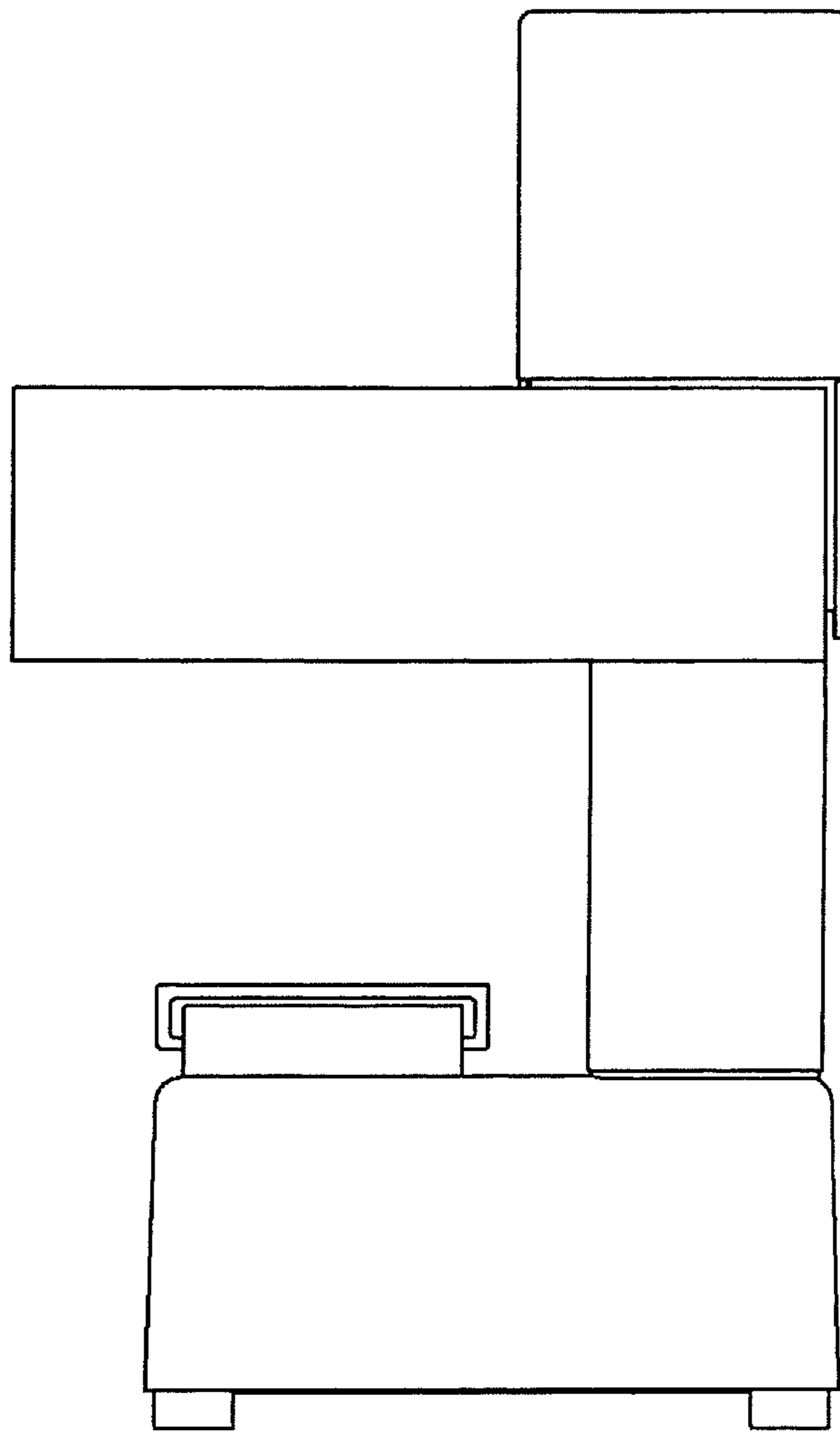


FIG. 3

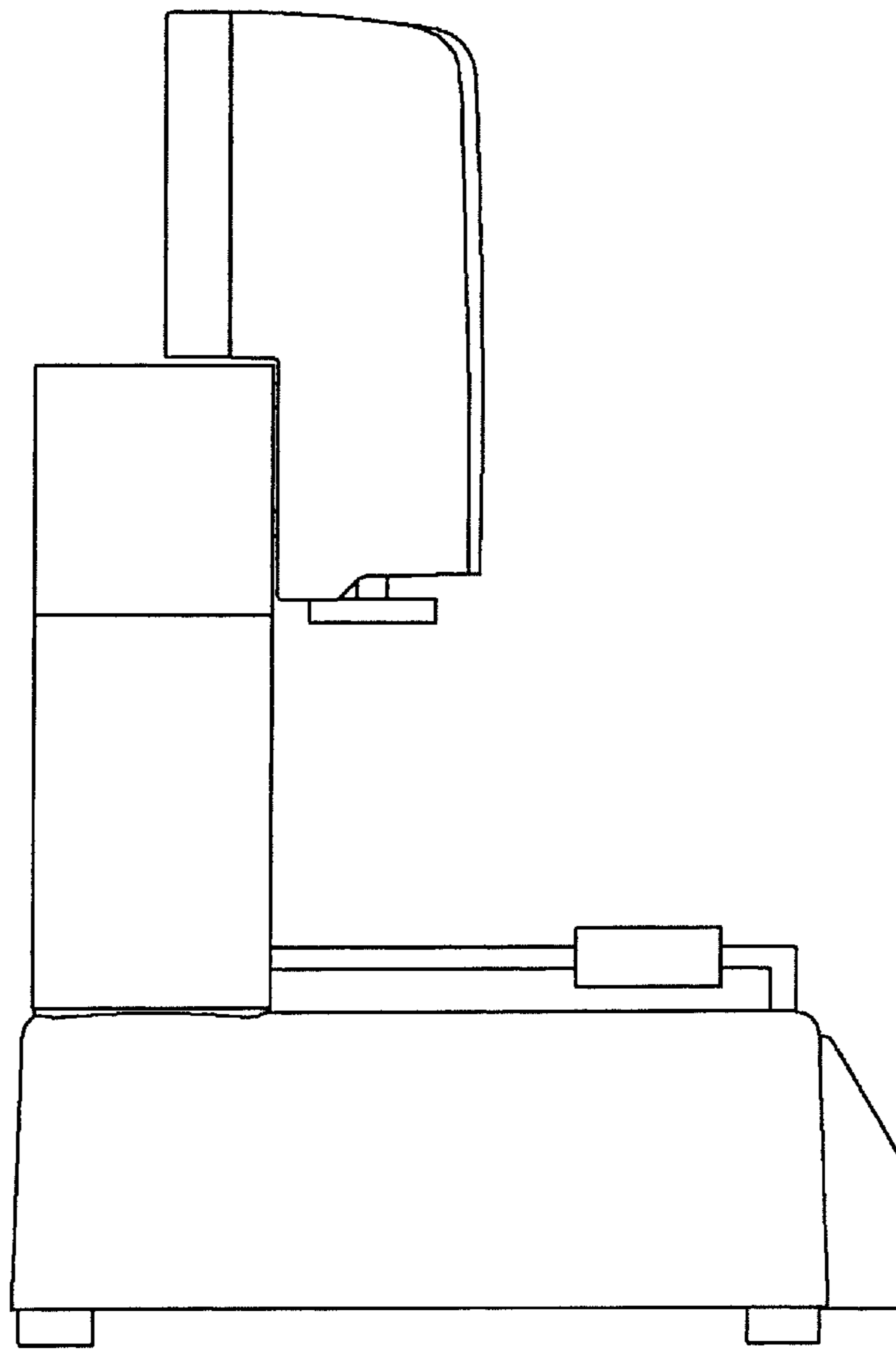


FIG. 4

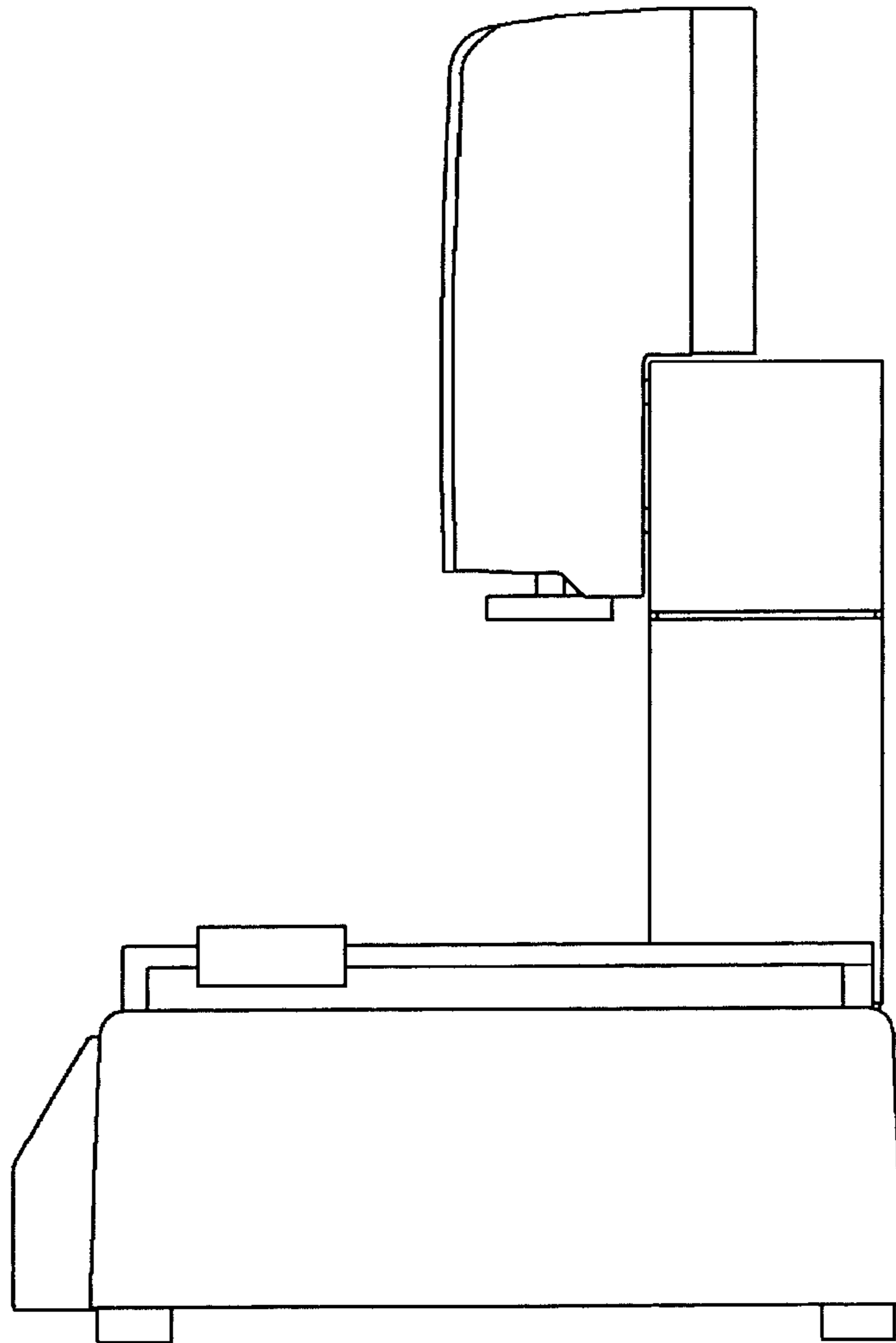


FIG. 5

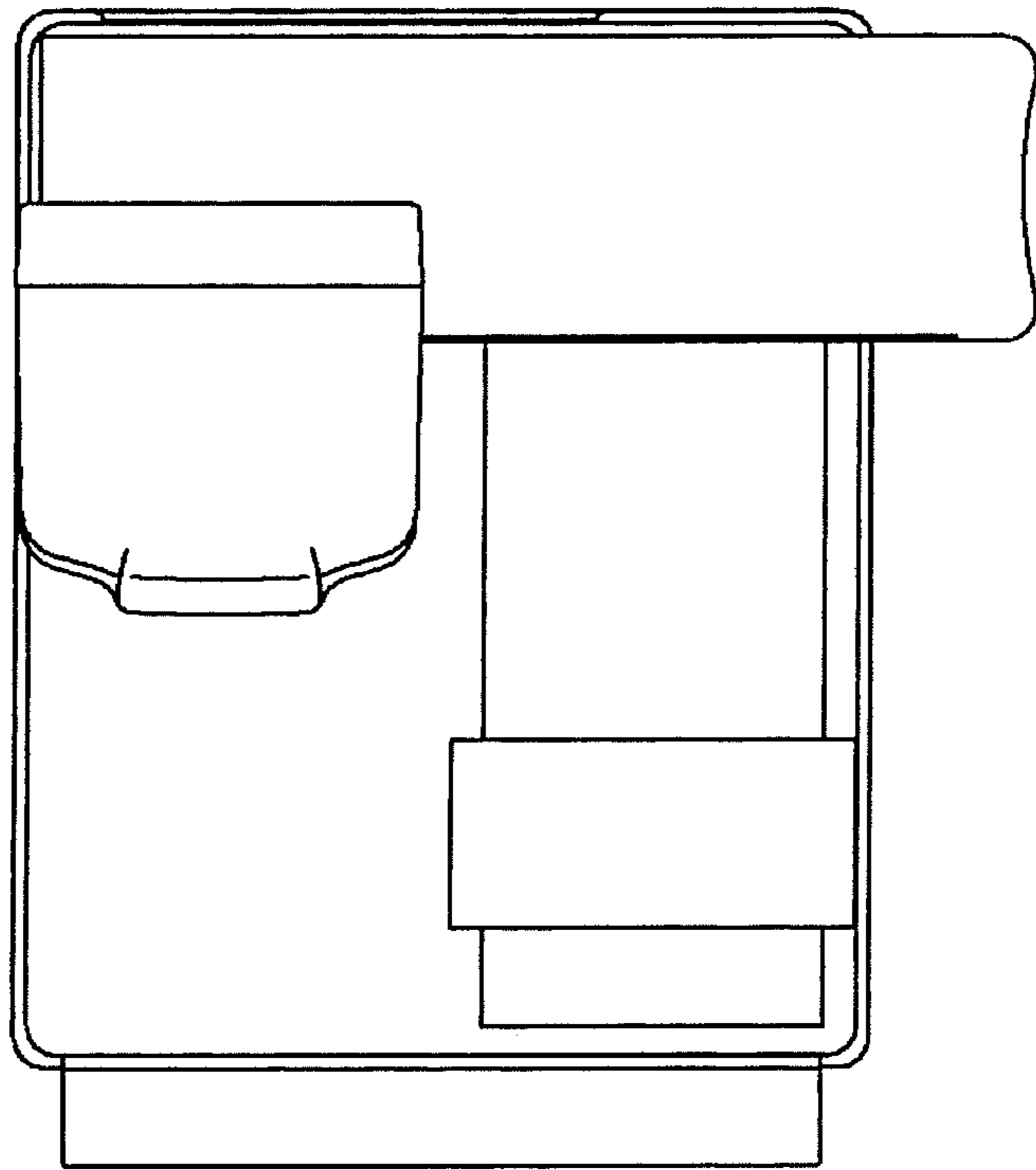


FIG. 6

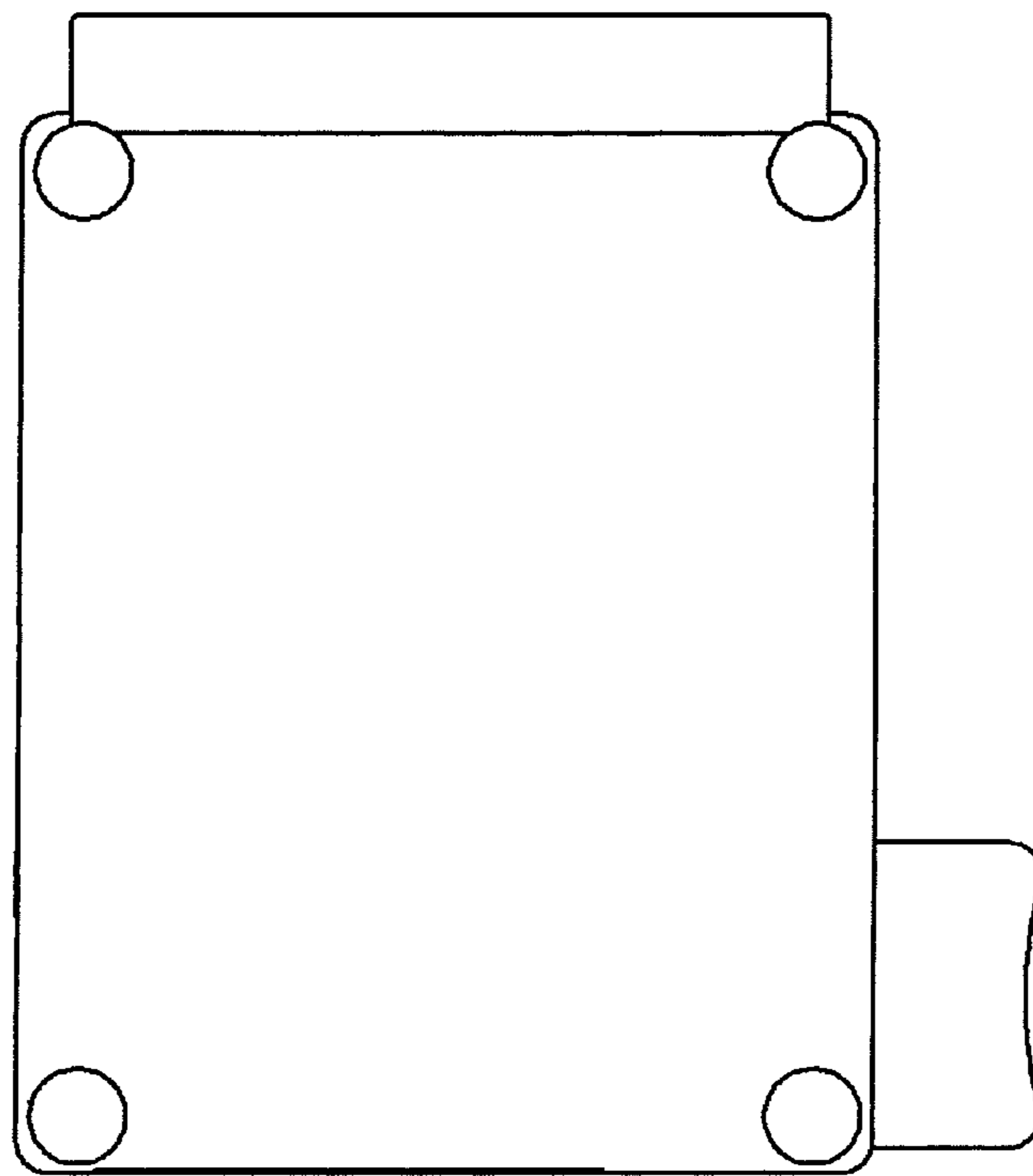


FIG. 7