



US00D675650S

(12) **United States Design Patent**
Champ

(10) **Patent No.:** **US D675,650 S**

(45) **Date of Patent:** **** Feb. 5, 2013**

(54) **BALLOON PUMP**

(75) Inventor: **Jeff Champ**, Aliso Viejo, CA (US)

(73) Assignee: **MerchSource, LLC**, Foothill Ranch, CA (US)

(**) Term: **14 Years**

(21) Appl. No.: **29/400,941**

(22) Filed: **Sep. 2, 2011**

(51) **LOC (9) Cl.** **15-02**

(52) **U.S. Cl.** **D15/7**

(58) **Field of Classification Search** D15/7-9;
D23/231, 232, 225; 417/60, 235, 265, 321,
417/355, 358, 363, 359, 410.1, 415-416,
417/405, 900; 60/408, 412; 184/26-37;
415/140-147; 123/495, 509

See application file for complete search history.

(56) **References Cited**

U.S. PATENT DOCUMENTS

D97,647 S *	11/1935	Miller et al.	D23/231
D132,915 S *	6/1942	Saffell	D15/7
D134,336 S *	11/1942	Saffell	D15/7
D325,586 S *	4/1992	Carroll et al.	D15/7
D470,863 S *	2/2003	Williams	D15/7
D476,665 S *	7/2003	Stewart	D15/7

* cited by examiner

Primary Examiner — Ralf Seifert

(74) *Attorney, Agent, or Firm* — The Eclipse Group LLP

(57) **CLAIM**

I claim the ornamental design for a balloon pump, as shown and described.

DESCRIPTION

FIG. 1 is a perspective view of the right side of a balloon pump.

FIG. 2 is a front elevation view of the balloon pump illustrated in FIG. 1.

FIG. 3 is an elevation view of the right side of the balloon pump illustrated in FIG. 1.

FIG. 4 is an elevation view of the left side of the balloon pump illustrated in FIG. 1.

FIG. 5 is a rear elevation view of the balloon pump illustrated in FIG. 1.

FIG. 6 is a top view of the balloon pump illustrated in FIG. 1.

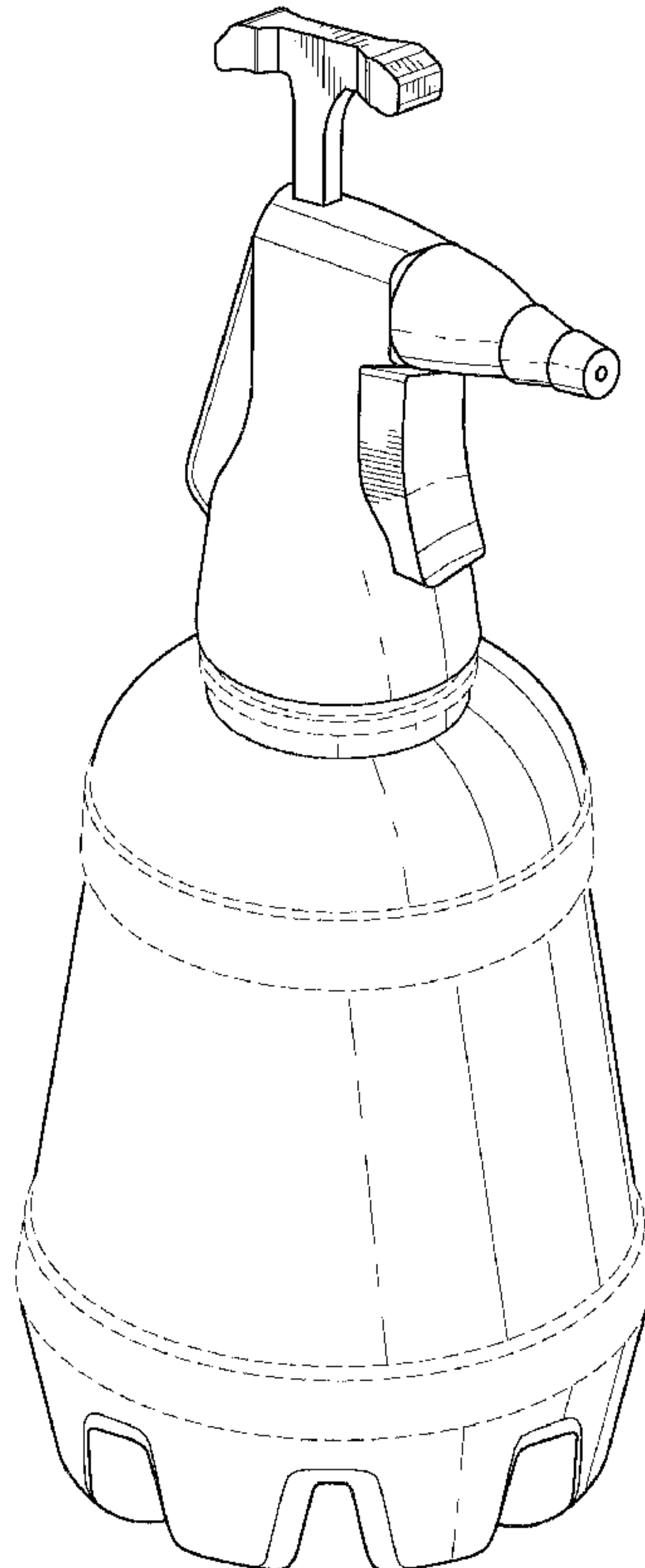
FIG. 7 is a bottom view of the balloon pump illustrated in FIG. 1; and,

FIG. 8 is an elevation view of the left side of the balloon pump illustrated in FIG. 1 with the pump in an extended position.

The broken lines shown in the figures represent portions of the balloon pump that form no part of the claimed design.

The broken lines in FIG. 7 are included for the purpose of illustrating portions of the balloon pump that form no part of the claimed design.

1 Claim, 7 Drawing Sheets



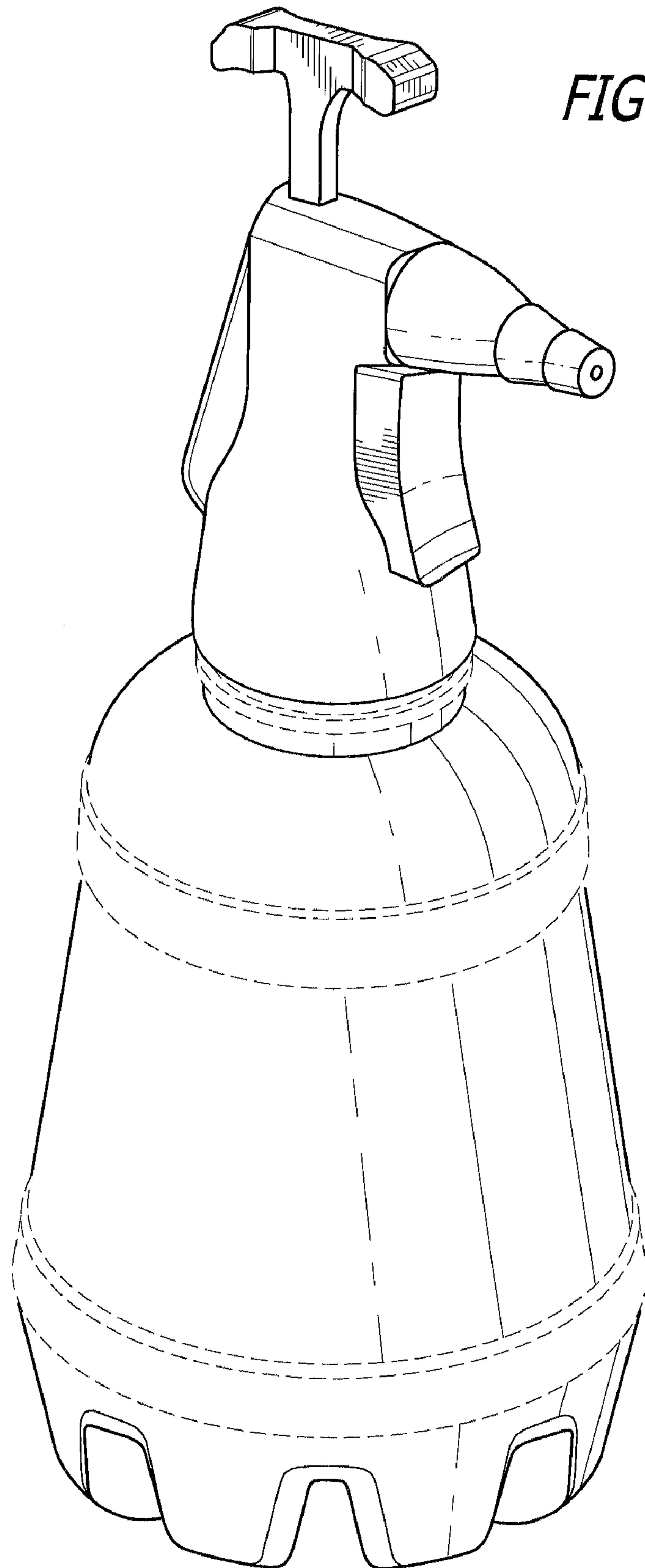


FIG. 1

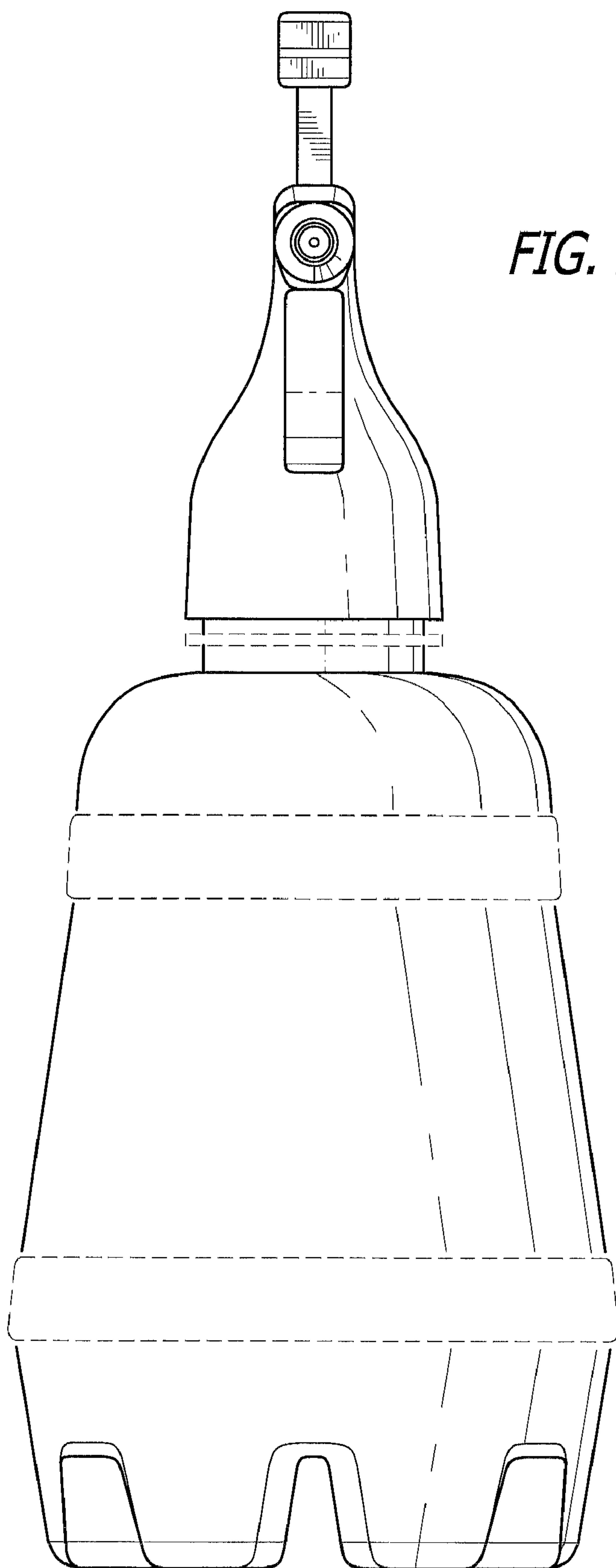
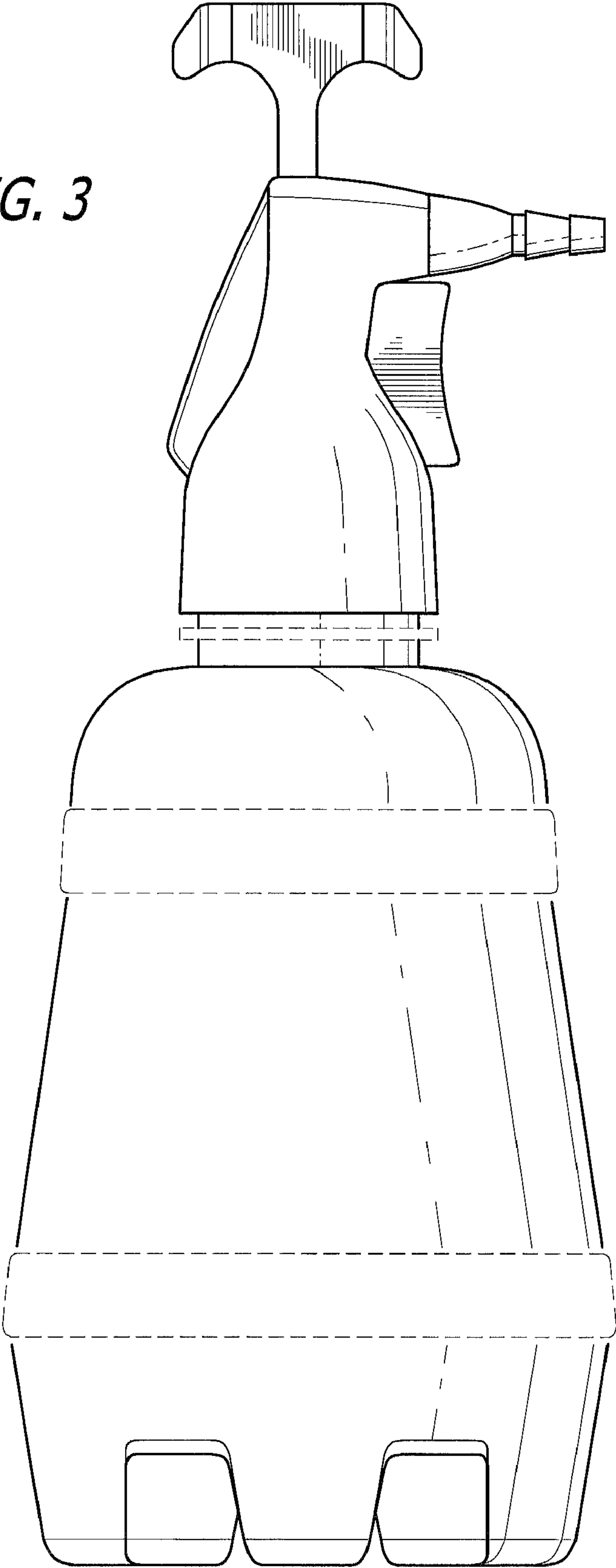


FIG. 2

FIG. 3



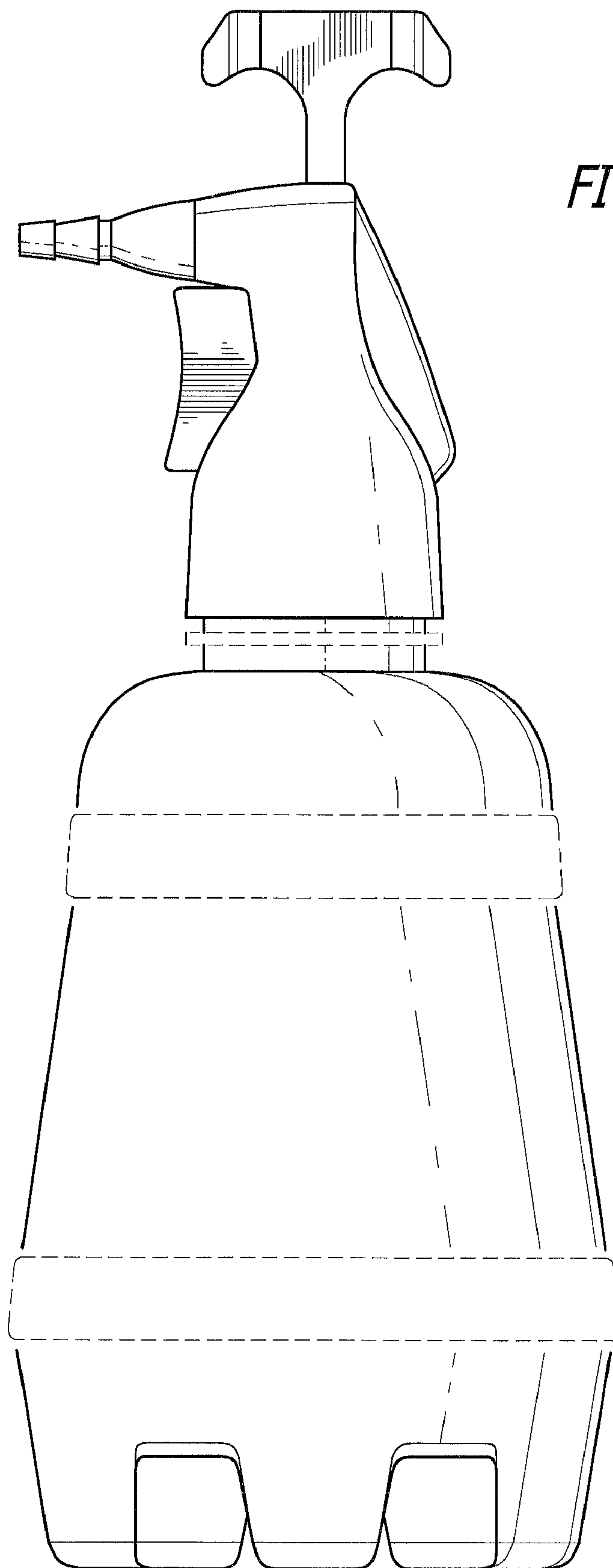


FIG. 4

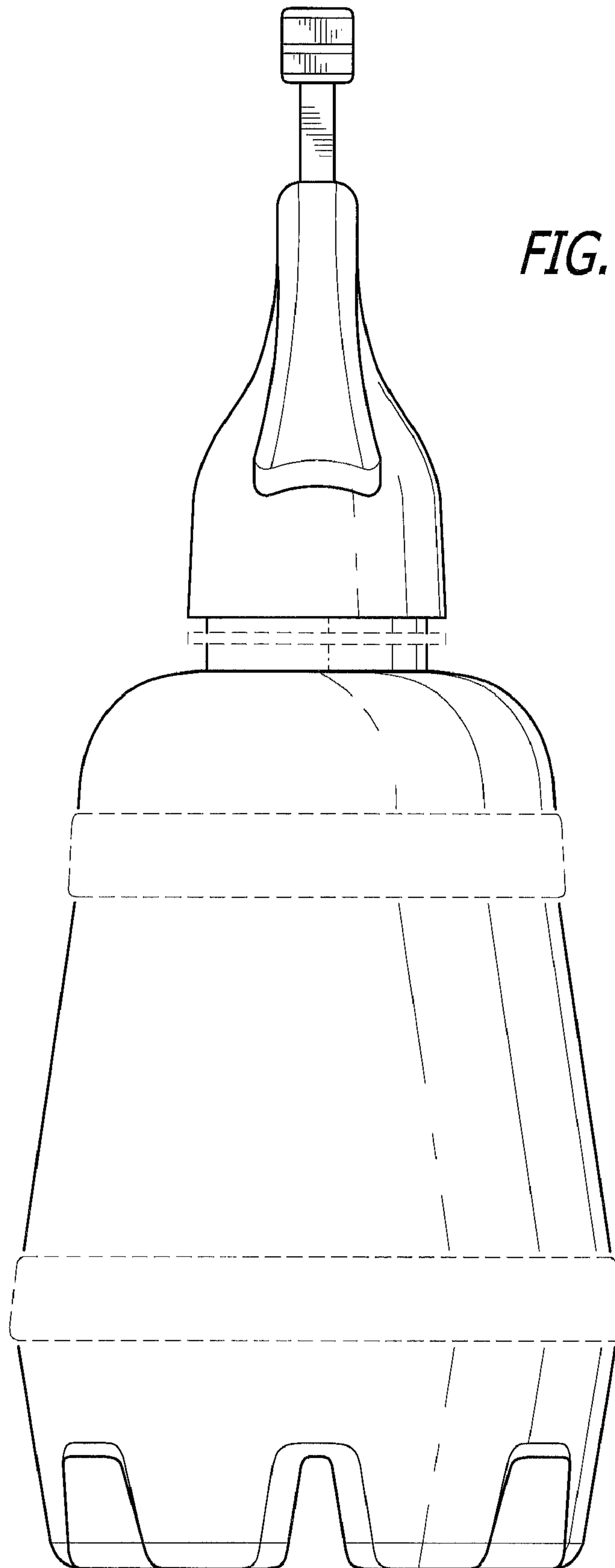


FIG. 5

FIG. 6

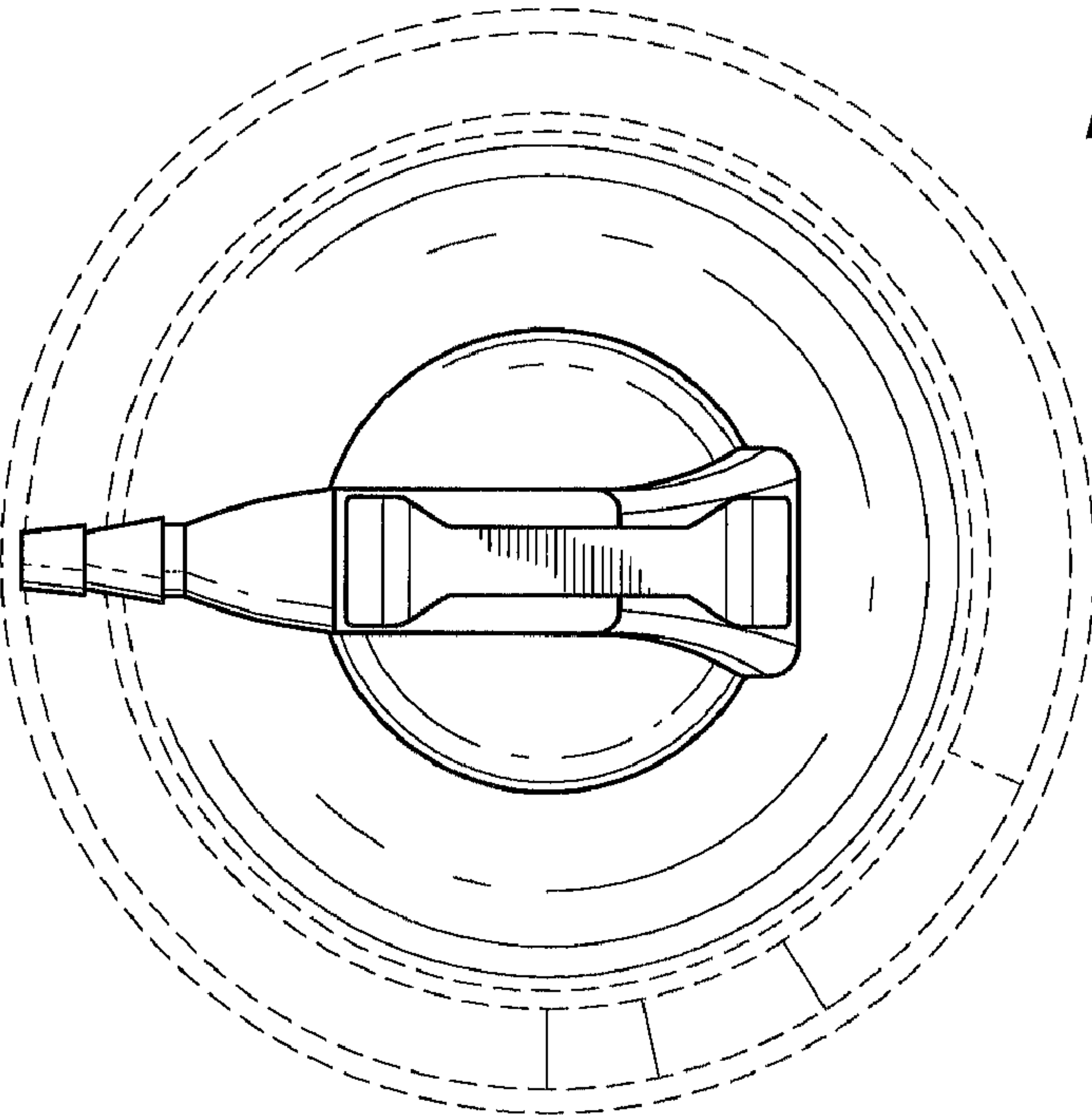


FIG. 7

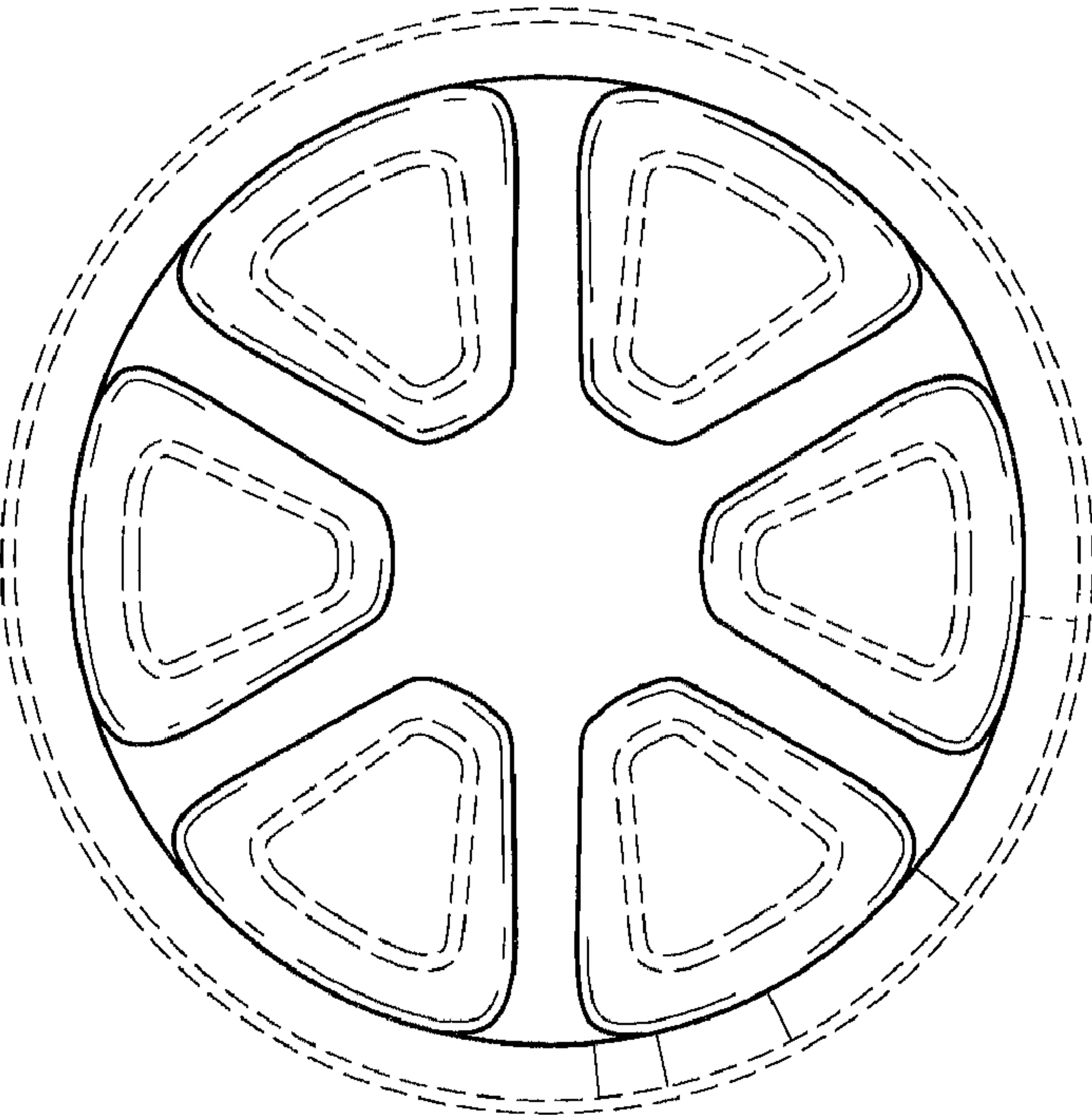


FIG. 8

