



US00D675649S

(12) **United States Design Patent**
Sands

(10) **Patent No.:** **US D675,649 S**

(45) **Date of Patent:** **** Feb. 5, 2013**

(54) **SEE-THROUGH AIR CLEANER FOR A MOTORCYCLE**

D467,654 S * 12/2002 Klug et al. D23/365
D638,034 S * 5/2011 Jiang et al. D15/5
D642,592 S * 8/2011 Sands D15/5

(75) Inventor: **Roland Sands**, La Palma, CA (US)

(73) Assignee: **Performance Machine Inc.**, La Palma, CA (US)

(**) Term: **14 Years**

(21) Appl. No.: **29/401,770**

(22) Filed: **Sep. 15, 2011**

(51) **LOC (9) Cl.** **05-01**

(52) **U.S. Cl.** **D15/5; D12/114**

(58) **Field of Classification Search** D15/1-7,
D15/9; D12/110, 114, 345, 400; D23/355,
D23/364, 365; 55/306, 320, 329, 337, 357,
55/359, 431, 488, 489, 459.1, 495, 498, 385.3,
55/521, 522, 506, 526, DIG. 30, DIG. 43,
55/396; 123/53.6, 184.42, 184.57, 73 R,
123/74 A, 198 E, 184.31; 180/219, 220,
180/229; 280/288.4; 60/605.1, 605.3, 39.092
See application file for complete search history.

(56) **References Cited**

U.S. PATENT DOCUMENTS

3,751,907 A * 8/1973 Anderson 60/39.092
D340,513 S * 10/1993 Stahel et al. D23/364
D406,148 S * 2/1999 Cirincione D15/5
D422,070 S * 3/2000 Bellil et al. D23/364
D450,326 S * 11/2001 Mundell D15/5

OTHER PUBLICATIONS

Air Cleaners sold at Clayton Cycle Performance shown on pp. 1,2, 5 and 6 of 6. Photographs © 2008. [Retrieved on May 20, 2011]. Retrieved from the Internet <URL: http://www.claytoncycleperformance.com/shopProjects/2008Fall.htm_>.*

* cited by examiner

Primary Examiner — Susan M Lee

Assistant Examiner — Linda G. Brooks

(74) *Attorney, Agent, or Firm* — David Pressman

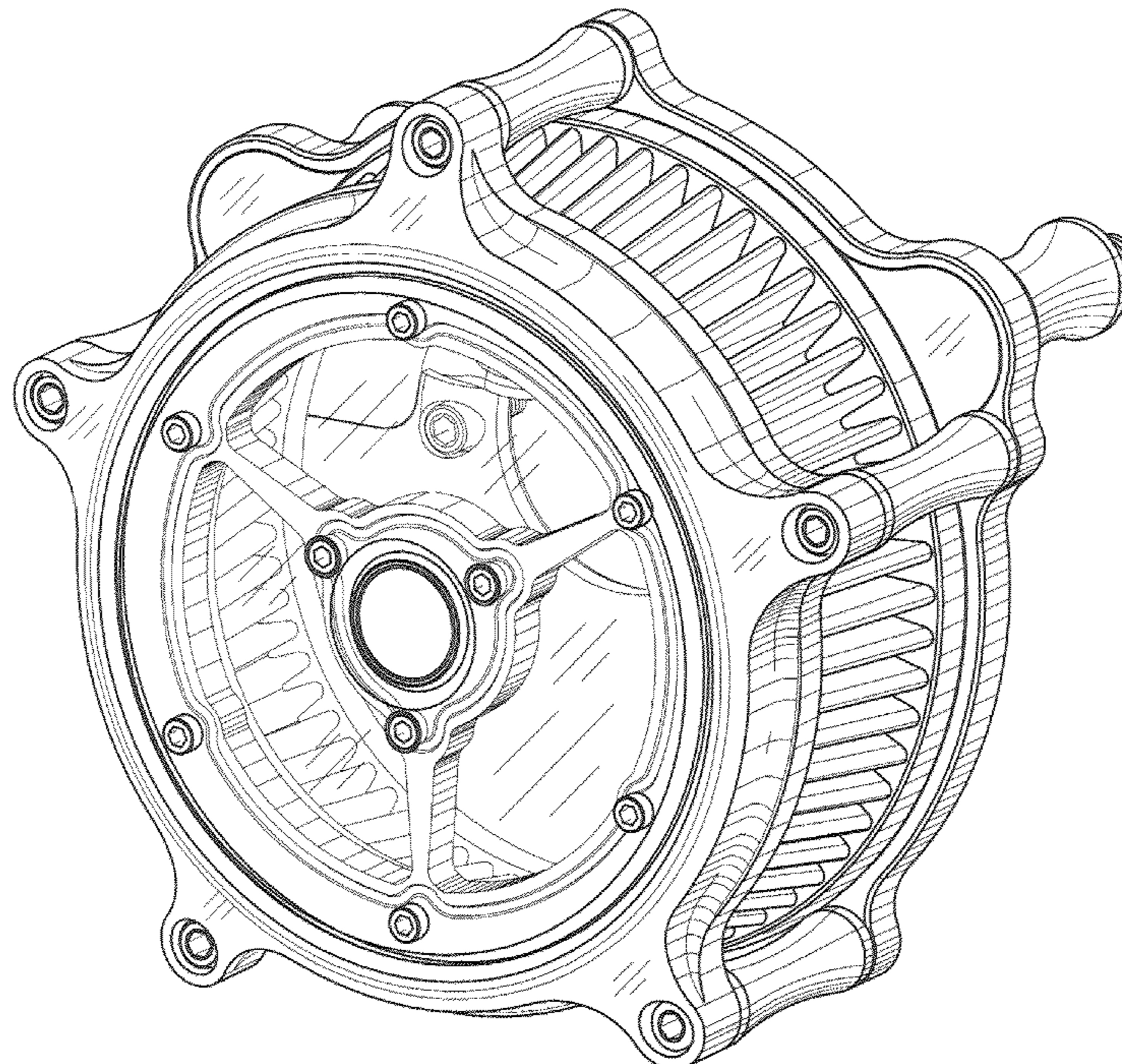
(57) **CLAIM**

The ornamental design for a see-through air cleaner for a motorcycle, as shown and described.

DESCRIPTION

FIG. 1 is an isometric front view of my see-through air cleaner for a motorcycle taken from the front at a side angle. FIG. 2 is a perspective view taken from the rear at a side angle. FIG. 3 is a front view. FIG. 4 is a rear view; and, FIG. 5 a side view taken from the right side of the air cleaner as seen in FIG. 3. The left side view of the air cleaner shown in FIG. 3 is a mirror image of FIG. 5.

1 Claim, 5 Drawing Sheets



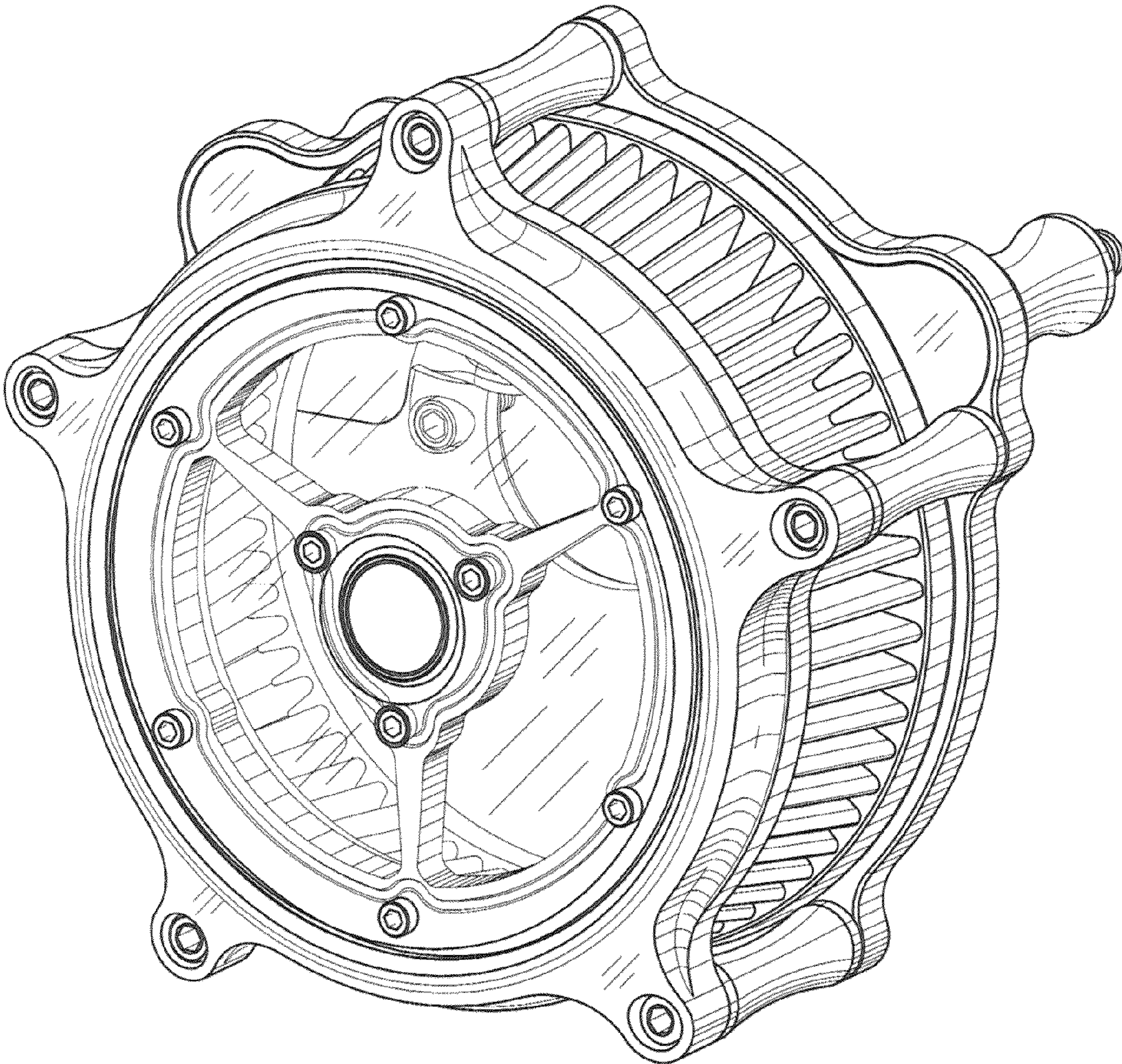


FIG 1

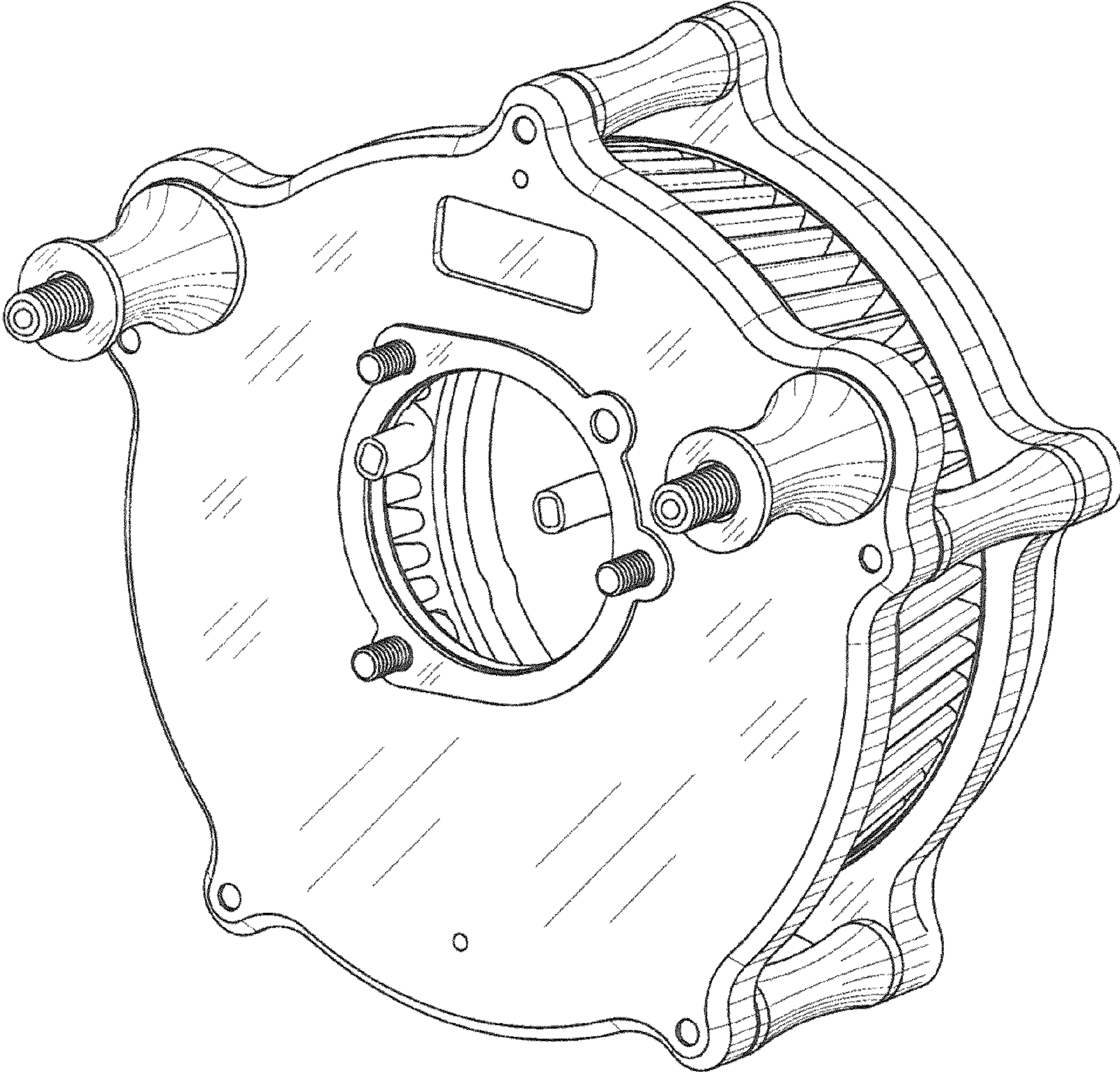


FIG 2

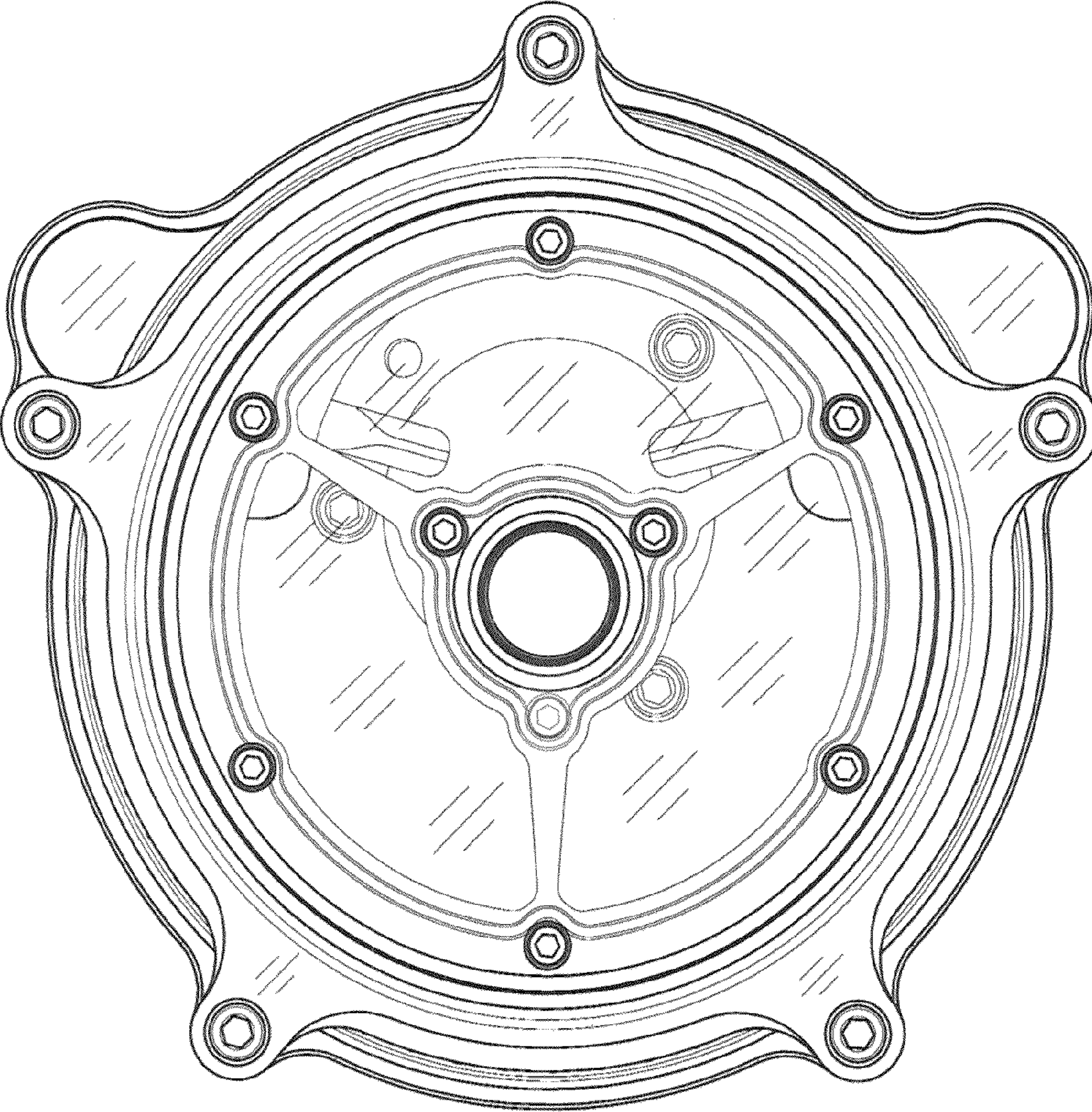


FIG 3

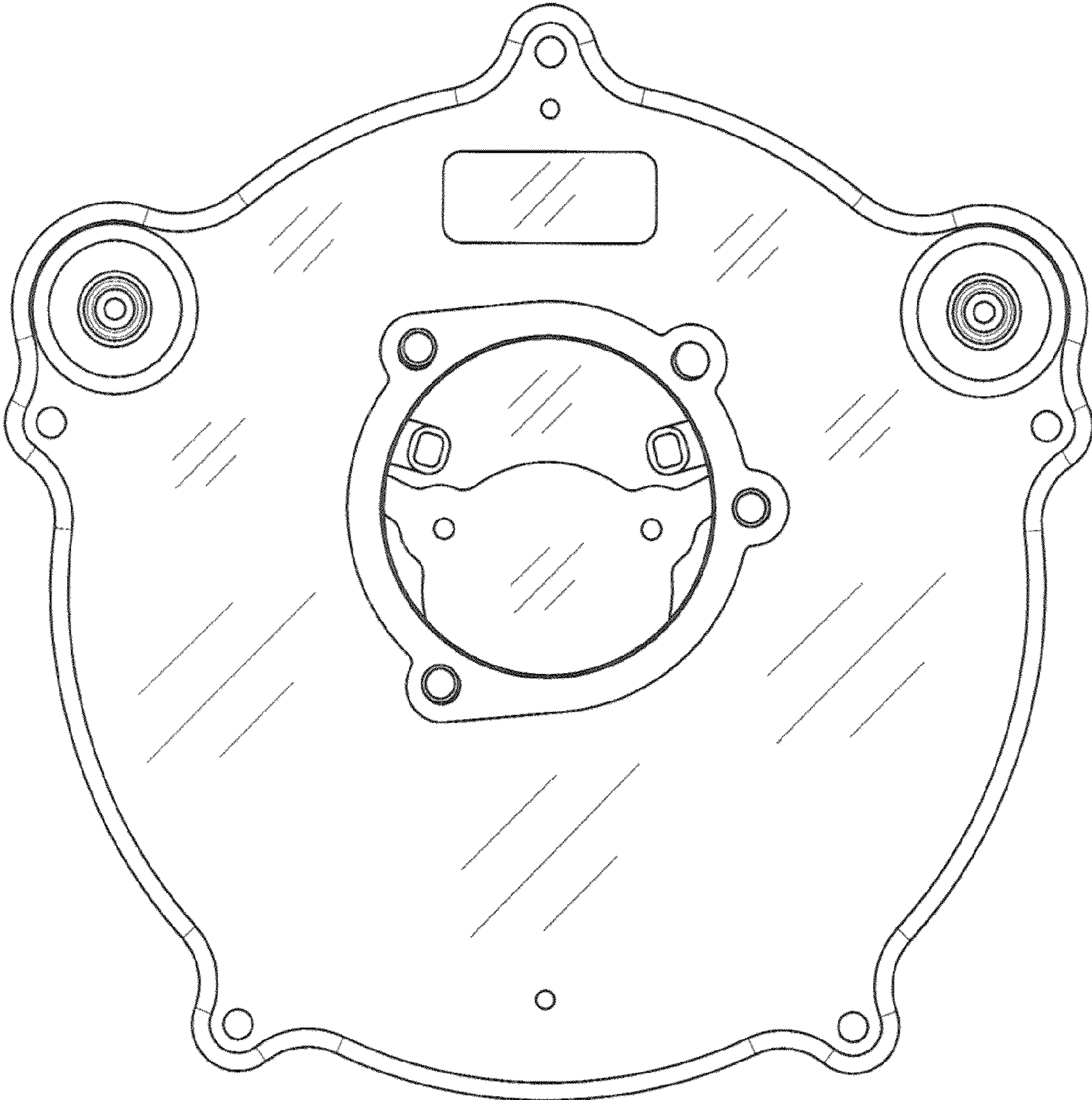


FIG 4

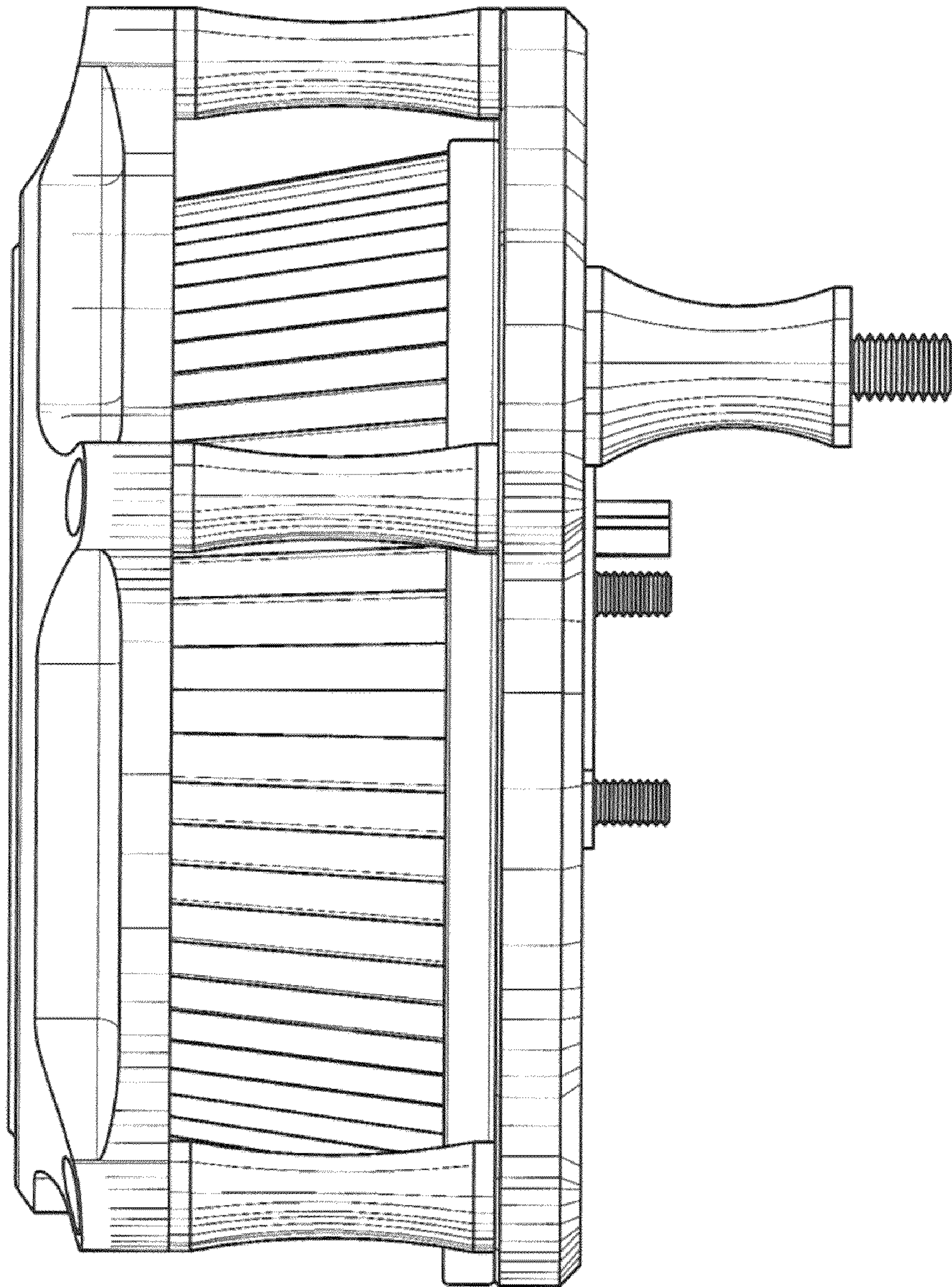


FIG 5