



US00D675630S

(12) **United States Design Patent**
Ni et al.

(10) **Patent No.:** **US D675,630 S**
(45) **Date of Patent:** **** *Feb. 5, 2013**

(54) **FLASH MEMORY DEVICE**

(75) Inventors: **Jim C. Ni**, San Jose, CA (US); **XuLin Cao**, Guangdong (CN)

(73) Assignee: **Super Talent Electronics, Inc.**, San Jose, CA (US)

(*) Notice: This patent is subject to a terminal disclaimer.

(**) Term: **14 Years**

(21) Appl. No.: **29/396,714**

(22) Filed: **Jul. 6, 2011**

(30) **Foreign Application Priority Data**

Jun. 20, 2011 (CN) 2011 30 166815

(51) **LOC (9) Cl.** **14-02**

(52) **U.S. Cl.** **D14/480.1**

(58) **Field of Classification Search** D14/411,
D14/433, 435, 435.1, 436-438, 480.1-480.7,
D14/484.1, 137, 155, 203.1-203.8, 240;
D13/133, 146-147, 154; 710/300, 301; 439/131,
439/135-147; 361/679.31, 679.33, 679.4,
361/752; 711/100, 115

See application file for complete search history.

(56) **References Cited**

U.S. PATENT DOCUMENTS

D506,471	S *	6/2005	Iikura et al.	D14/480.5
7,035,110	B1 *	4/2006	Wang et al.	361/737
D538,280	S *	3/2007	Sugita	D14/480.5
7,214,075	B2 *	5/2007	He et al.	439/135
D548,233	S *	8/2007	Loftus	D14/480.5
7,428,605	B2 *	9/2008	Ni et al.	710/62
D579,934	S *	11/2008	Okamoto et al.	D14/435.1
7,503,780	B1 *	3/2009	Huang	439/135
D620,018	S *	7/2010	Nan et al.	D14/480.7
D642,585	S *	8/2011	Lan et al.	D14/480.5

D660,858	S *	5/2012	Schlossstein	D14/480.7
2004/0087213	A1 *	5/2004	Kao	439/638
2005/0181645	A1 *	8/2005	Ni et al.	439/79

OTHER PUBLICATIONS

A-Data Technology, PD16, p. 1 [online], [retrieved on Jul. 3, 2007]. Retrieved from the Internet <URL: http://www.adata.com.tw/adata_en/products_search.php>.*

Super Talent SandForce SSD Processor Powered USB 3.0 Drive >> Geeky Gadgets, [online] posted Jun. 27, 2011 [retrieved on Aug. 6, 2012]. Retrieved from the Internet <URL: <http://www.geeky-gadgets.com/super-talent-sandforce-ssd-processor-powered-usb-3-0-drive-27/06/2011/>>.*

Super Talent USB 3.0 Express ST2 Flash Drive Debut—Super Talent Technology | All USB Blog, [online] posted Aug. 12, 2011 [retrieved on Aug. 6, 2012]. Retrieved from the Internet <URL: <http://blog.allusb.com/2011/08/super-talent-usb-3-express-st2-flash-drive/>>.*

* cited by examiner

Primary Examiner — Karen E Kearney

(74) *Attorney, Agent, or Firm* — Roger H. Chu

(57) **CLAIM**

The ornamental design for a flash memory device, as shown and described.

DESCRIPTION

FIG. 1 is a top, perspective view of a flash memory device showing our new design;

FIG. 2 is a bottom, perspective view thereof;

FIG. 3 is an enlarged front view thereof;

FIG. 4 is an enlarged rear view thereof;

FIG. 5 is a left-side view thereof;

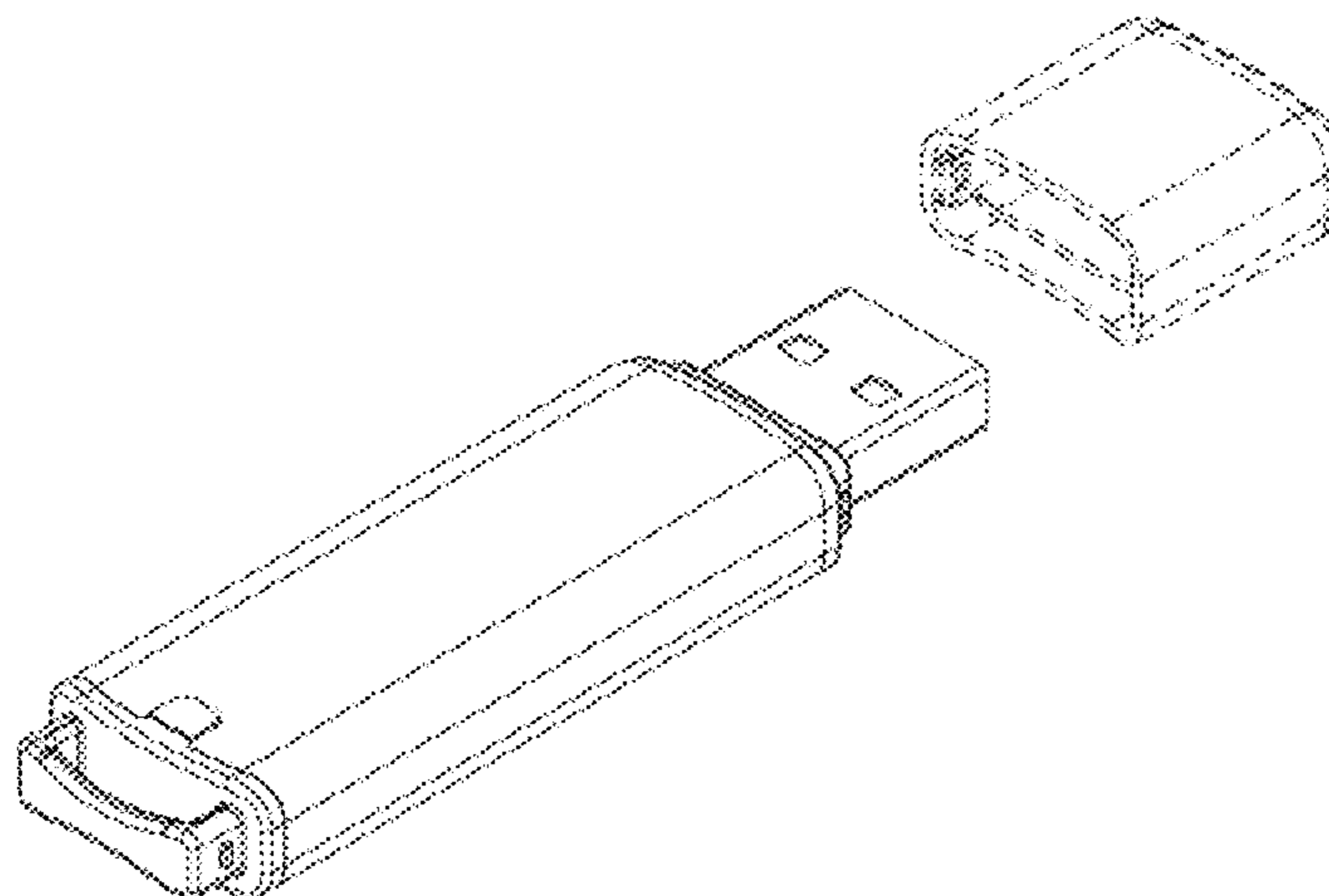
FIG. 6 is a right-side view thereof;

FIG. 7 is a top view thereof; and,

FIG. 8 is a bottom view thereof.

The broken lines are for the purpose of illustrating portion of the flash memory device and form no part of the claimed design.

1 Claim, 4 Drawing Sheets



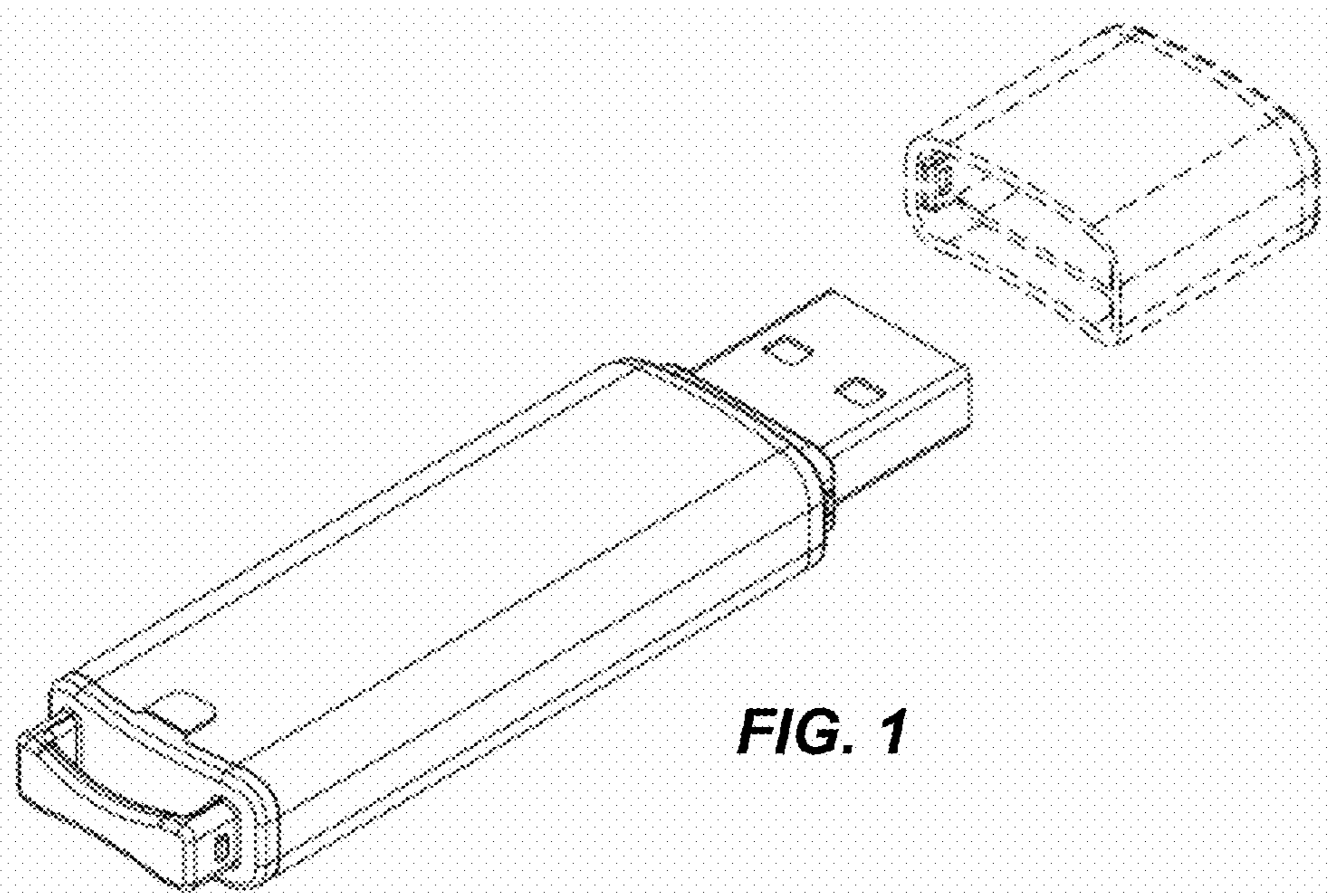


FIG. 1

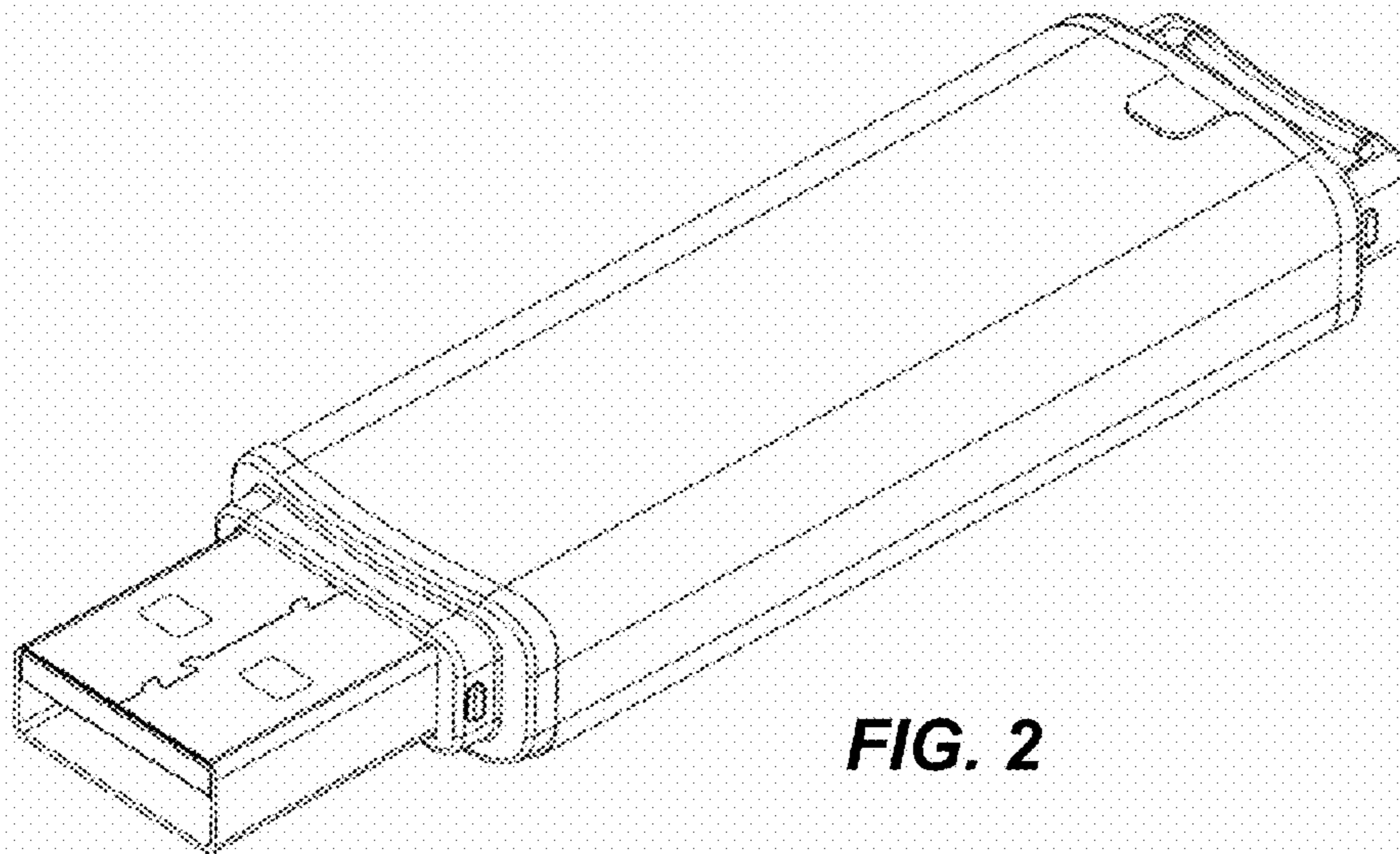


FIG. 2



FIG. 3

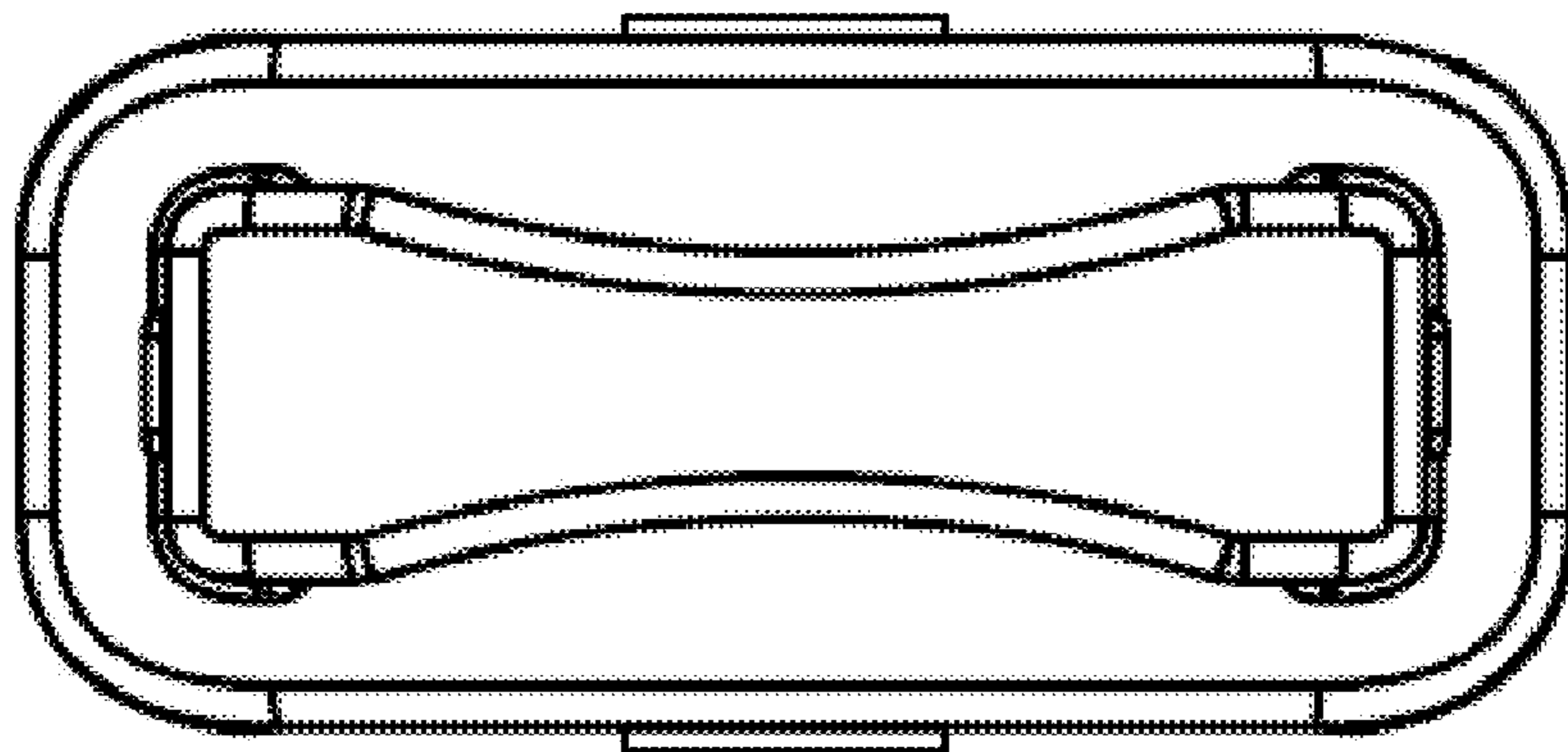


FIG. 4

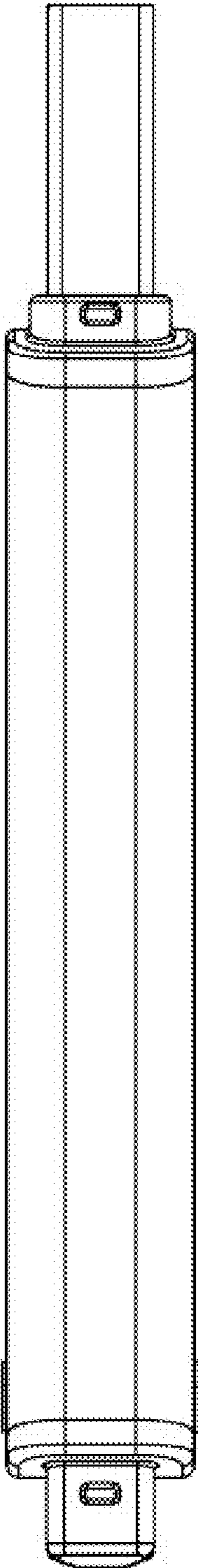


FIG. 5

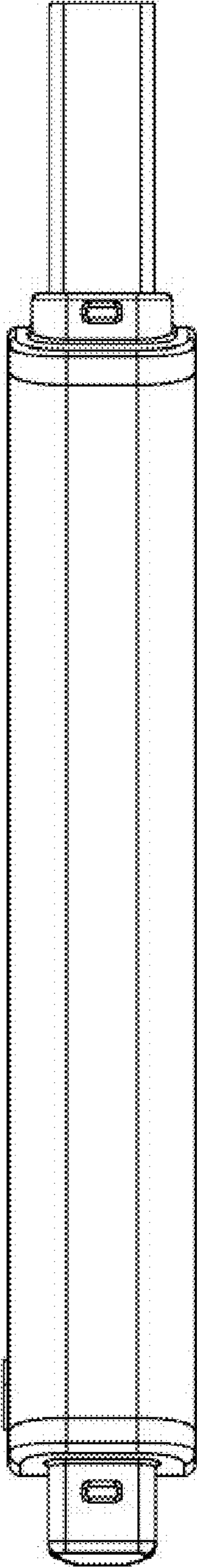


FIG. 6

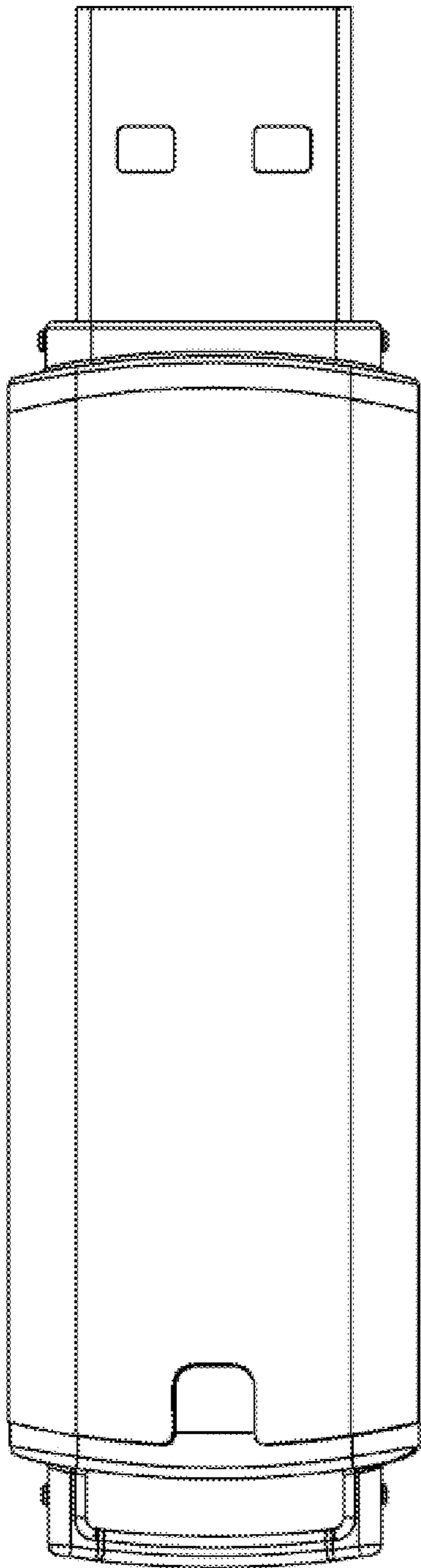


FIG. 7

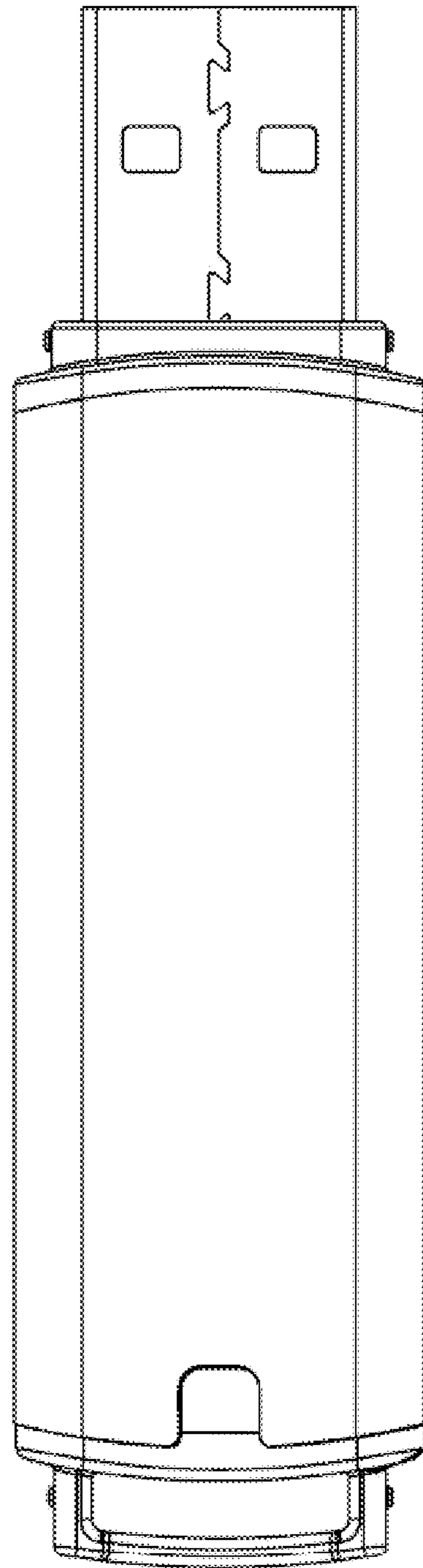


FIG. 8