

US00D675629S

(12) **United States Design Patent**
Bristol et al.

(10) **Patent No.:** **US D675,629 S**

(45) **Date of Patent:** **** Feb. 5, 2013**

(54) **KEYBOARD**

(75) Inventors: **Peter Bristol**, Shoreline, WA (US);
Young Soo Kim, Seattle, WA (US);
Curtis Aumiller, Redmond, WA (US)

(73) Assignee: **Microsoft Corporation**, Redmond, WA (US)

(**) Term: **14 Years**

(21) Appl. No.: **29/414,997**

(22) Filed: **Mar. 6, 2012**

(51) **LOC (9) Cl.** **14-02**

(52) **U.S. Cl.** **D14/455**

(58) **Field of Classification Search** D14/240,
D14/391-399, 455, 456; D18/1, 2, 7, 11;
178/17 A, 17 C; 200/5 A, 5 R, 6 A, 6 R;
235/145 A, 145 R; 341/20-23; 345/156,
345/160, 168, 169, 173, 700; 361/679.08,
361/679.09, 679.11, 679.12; 400/484-489,
400/492, 472

See application file for complete search history.

(56) **References Cited**

U.S. PATENT DOCUMENTS

D523,012 S	6/2006	O'Neil et al.	
D526,319 S *	8/2006	Ohno	D14/391
D540,807 S	4/2007	DeMaio et al.	
D598,451 S *	8/2009	Andre et al.	D14/392
D598,918 S	8/2009	Kim et al.	
D601,563 S	10/2009	Kujawski	
D601,568 S	10/2009	Kujawski	
D616,886 S *	6/2010	Andre et al.	D14/392
D630,751 S *	1/2011	Yanase et al.	D24/158
2002/0044814 A1 *	4/2002	King et al.	400/715

FOREIGN PATENT DOCUMENTS

EM	001890476-0001	7/2011
EM	001890476-0002	7/2011

EM	001890476-0003	7/2011
EM	001890476-0004	7/2011
EM	001890476-0005	7/2011

OTHER PUBLICATIONS

Rapoo E9080 Wireless Ultra-Slim Keyboard with Touchpad, Original article (not comments) published Oct. 16, 2011 [online], [site visited Jun. 21 2012]. Available from Internet, <URL: <http://www.geekalerts.com/rapoo-e9080-wireless-ultra-slim-keyboard-with-touchpad>>.

Rapoo E6300 Ultra-Thin Bluetooth 3.0 Wireless Keyboard, Original article (not comments) published Oct. 29, 2011 [online], [site visited Jun. 21, 2012]. Available from Internet, <URL: <http://www.geekalerts.com/rapoo-e6300-ultra-thin-bluetooth-3-0-wireless-keyboard>>.

* cited by examiner

Primary Examiner — Freda S Nunn

(74) *Attorney, Agent, or Firm* — Banner & Witcoff, Ltd.

(57) **CLAIM**

The ornamental design for a keyboard, as shown and described.

DESCRIPTION

FIG. 1 is a front perspective view of a keyboard showing our new design;

FIG. 2 is a top view thereof;

FIG. 3 is a front view thereof;

FIG. 4 is a rear view thereof;

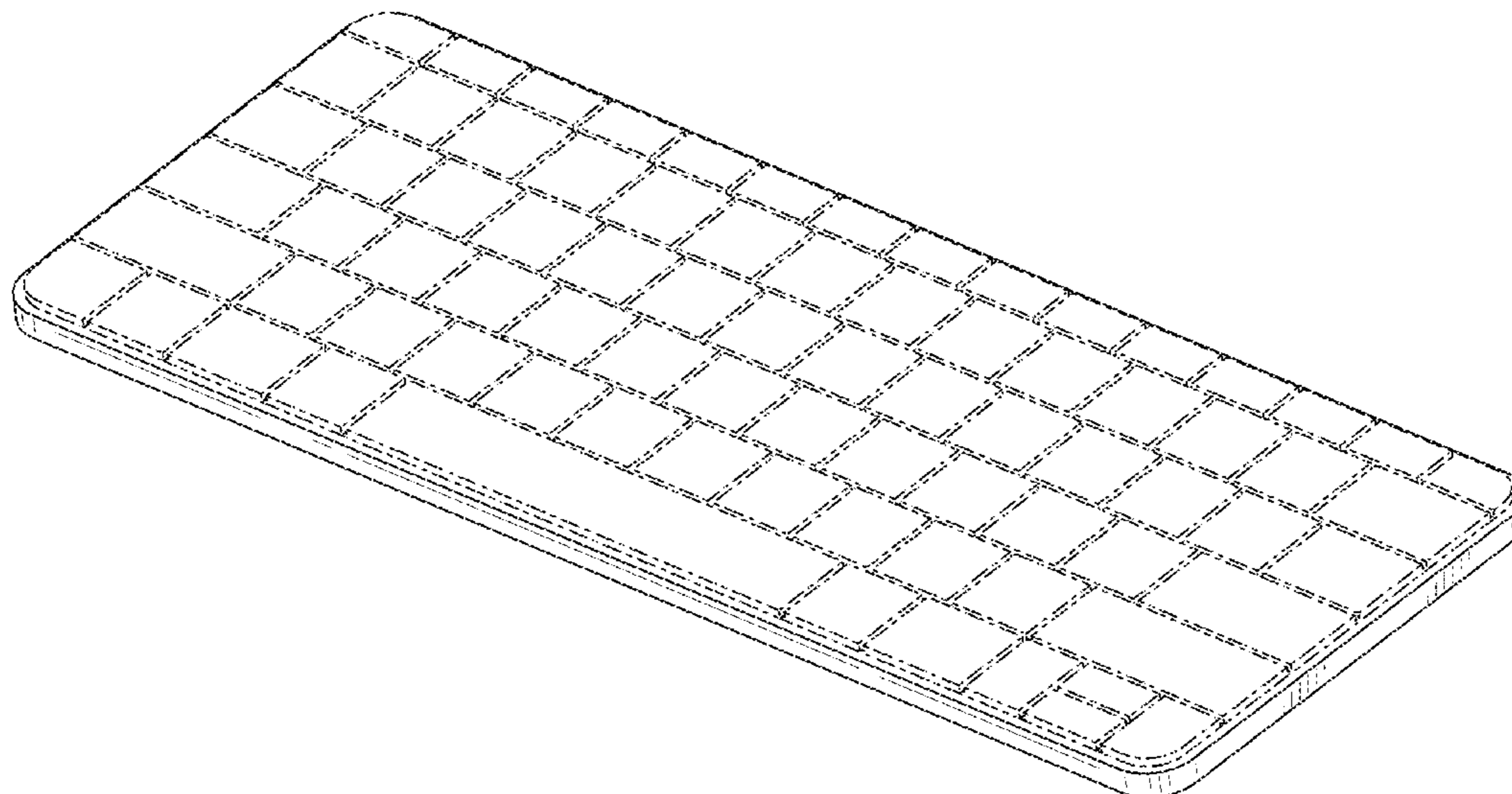
FIG. 5 is a left side view thereof;

FIG. 6 is a right side view thereof; and,

FIG. 7 is a bottom view thereof.

The broken line showing of the remainder of the keys is for environmental purposes only and forms no part of the claimed design.

1 Claim, 5 Drawing Sheets



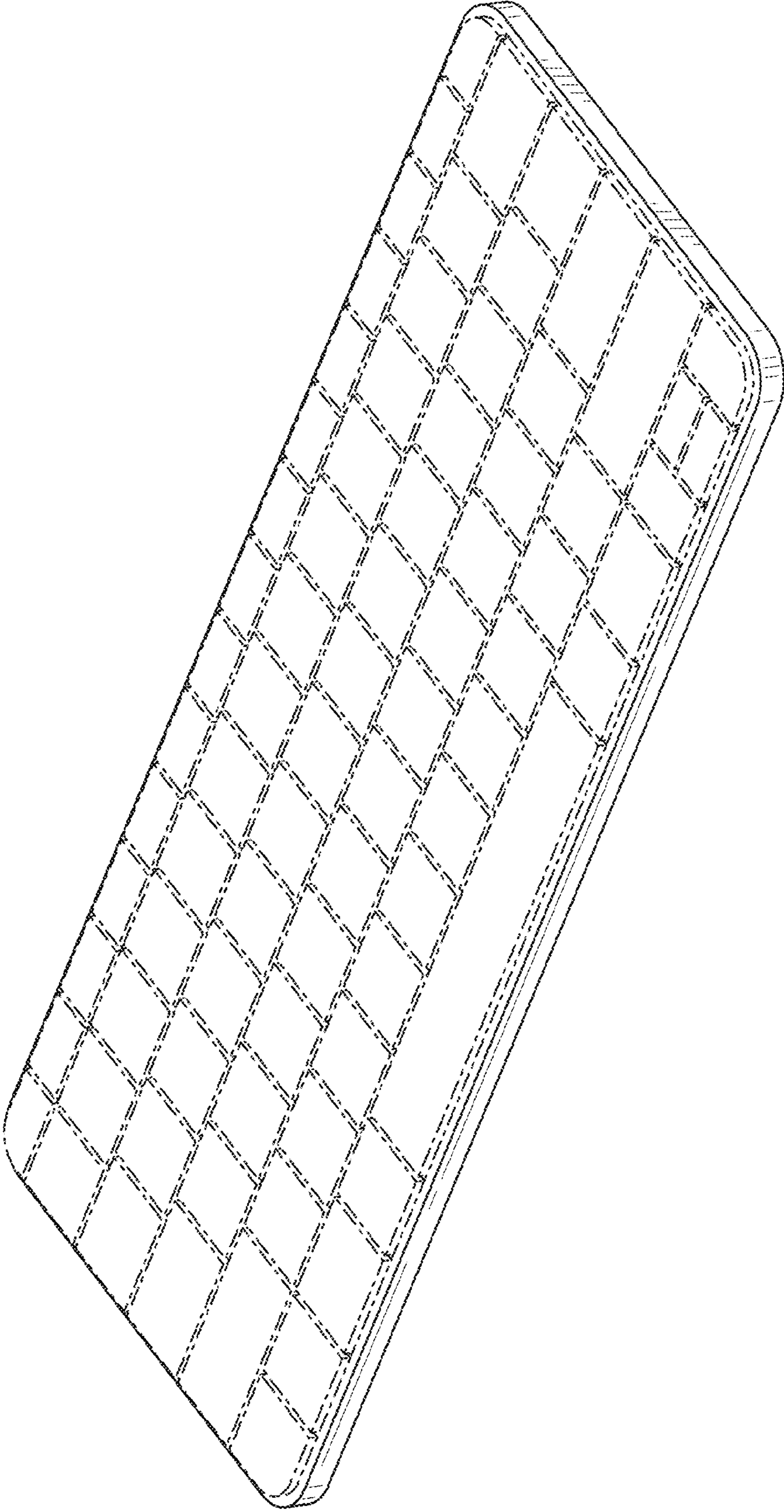


FIG. 1

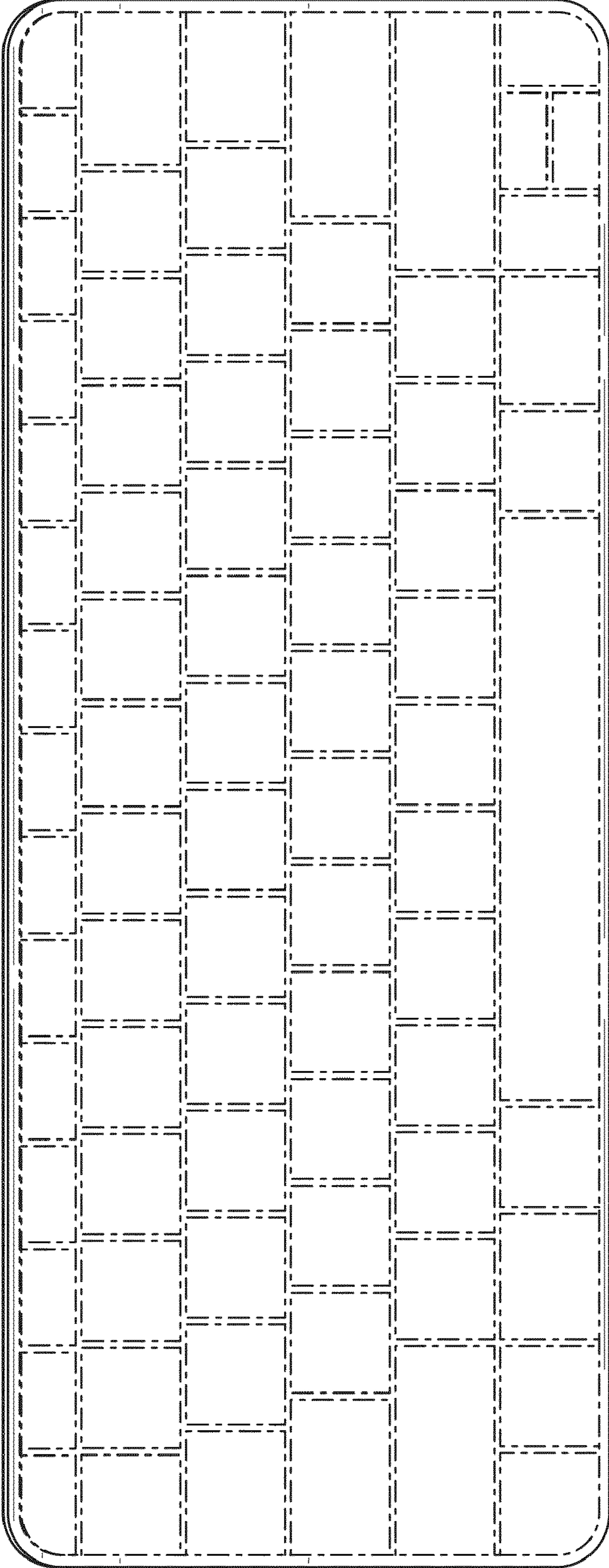


FIG. 2

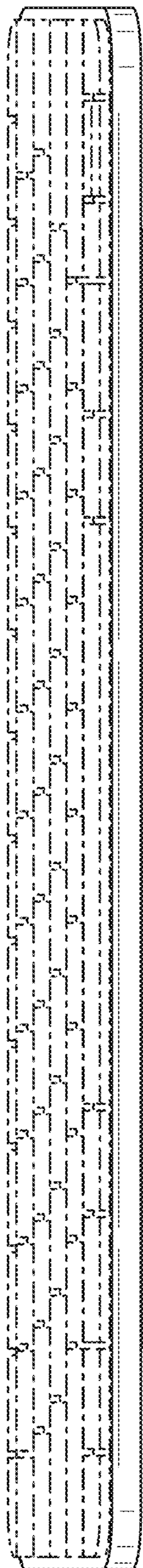


FIG. 3

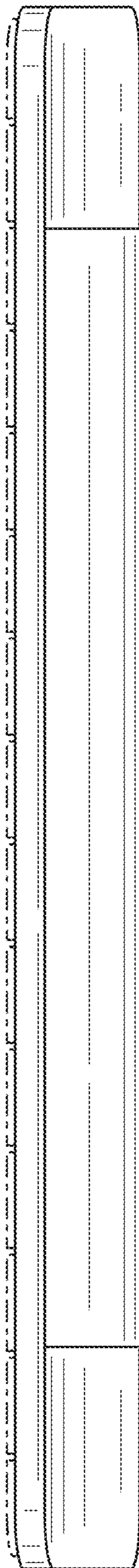


FIG. 4

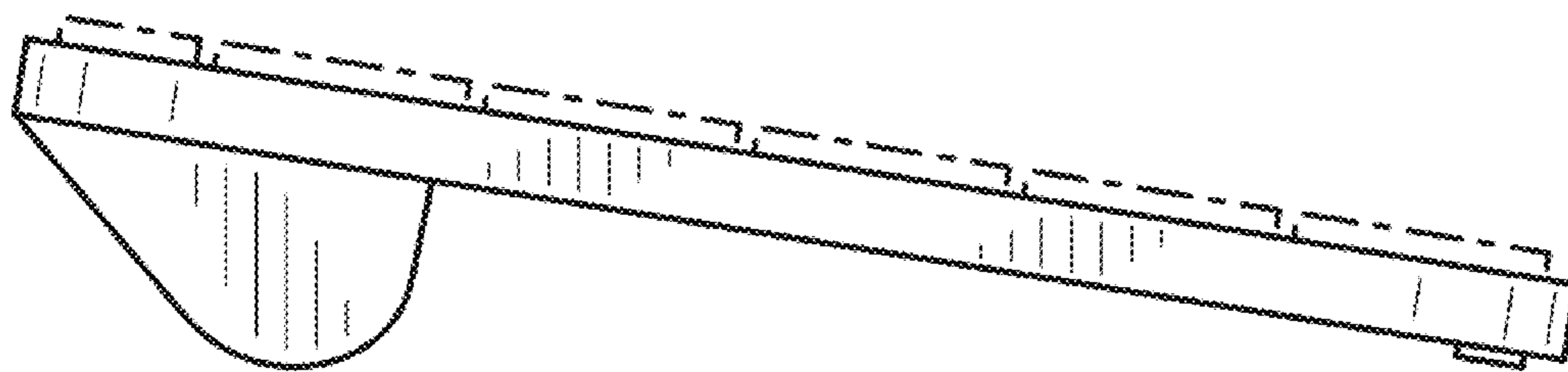


FIG. 5

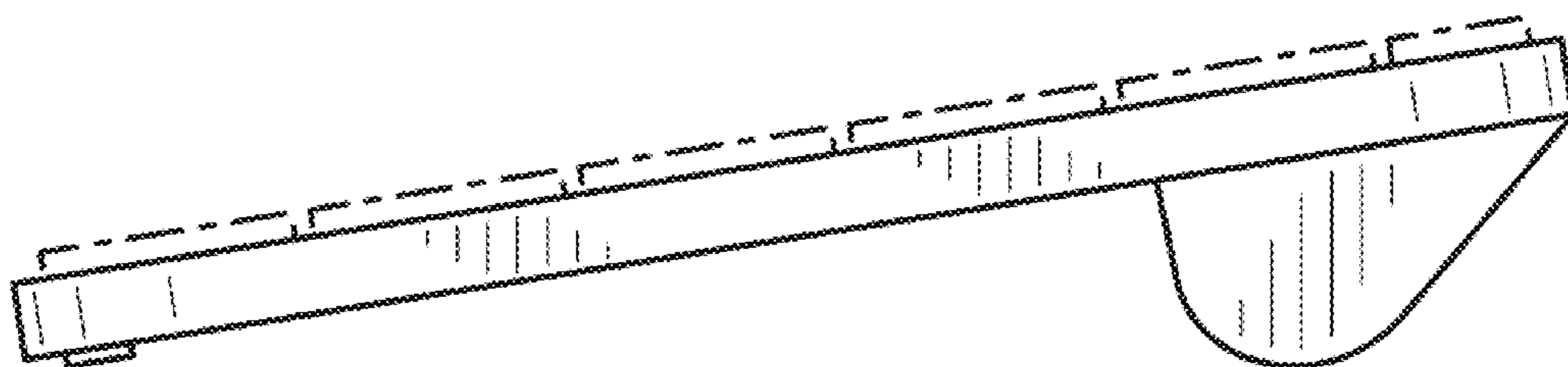


FIG. 6

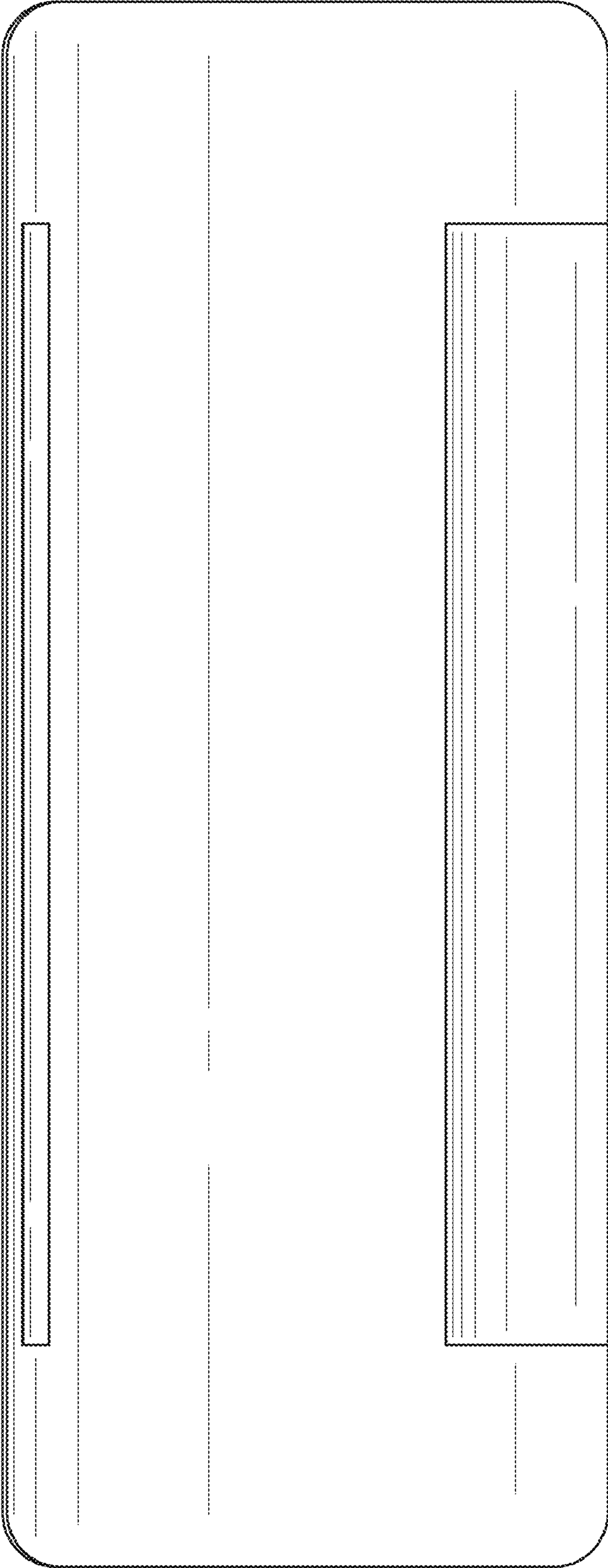


FIG. 7