



US00D675627S

(12) **United States Design Patent**  
**Rouser**

(10) **Patent No.:** **US D675,627 S**

(45) **Date of Patent:** **\*\* Feb. 5, 2013**

(54) **HANDLE FOR A COVER/CASE FOR A  
TABLET OR E-READER**

(76) Inventor: **Kelly K. Rouser**, Chicago, IL (US)

(\*\*) Term: **14 Years**

(21) Appl. No.: **29/417,420**

(22) Filed: **Apr. 3, 2012**

(51) **LOC (9) Cl.** ..... **14-02**

(52) **U.S. Cl.** ..... **D14/440**

(58) **Field of Classification Search** ..... D14/250,  
D14/251, 253, 240, 217, 496, 440, 203.3,  
D14/203.4, 203.5, 203.8, 432, 439, 300;  
D3/218, 215, 201, 276, 900, 301, 303; 220/4.02;  
248/309.1; 361/679.56, 679.03; 379/426,  
379/433.11, 455; 455/575.1, 575.8; 190/100;  
206/305, 320; D9/742, 443, 439, 432  
See application file for complete search history.

(56) **References Cited**

**U.S. PATENT DOCUMENTS**

D393,945 S *	5/1998	Urvoy	.....	D3/282
D417,911 S *	12/1999	Jane' et al.	.....	D23/364
D449,164 S *	10/2001	Rosen	.....	D3/282
D505,542 S *	5/2005	Miller	.....	D3/203.6
D529,717 S *	10/2006	Brancky	.....	D3/285
D537,631 S *	3/2007	Kung	.....	D3/276
D561,993 S *	2/2008	Bum	.....	D3/282
D571,103 S *	6/2008	Simonian et al.	.....	D3/282
D584,733 S *	1/2009	Dearborn et al.	.....	D14/439
D591,950 S *	5/2009	Kim et al.	.....	D3/282

D639,063 S *	6/2011	Benoit	.....	D3/289
D643,214 S *	8/2011	Weedon et al.	.....	D3/276
D663,498 S *	7/2012	Jeon et al.	.....	D32/29.1

\* cited by examiner

*Primary Examiner* — Cynthia Underwood

(74) *Attorney, Agent, or Firm* — Dennemeyer & Assoc.

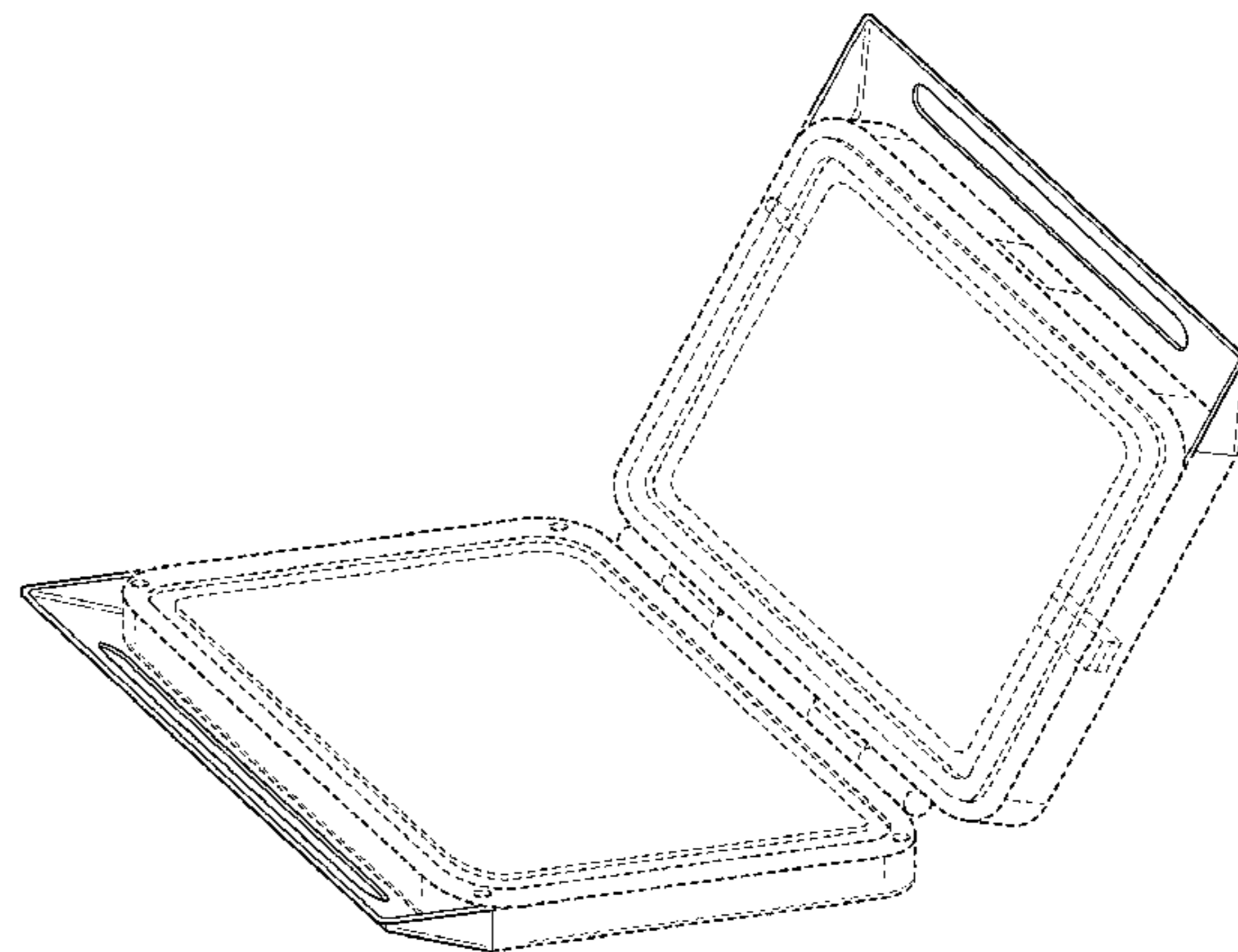
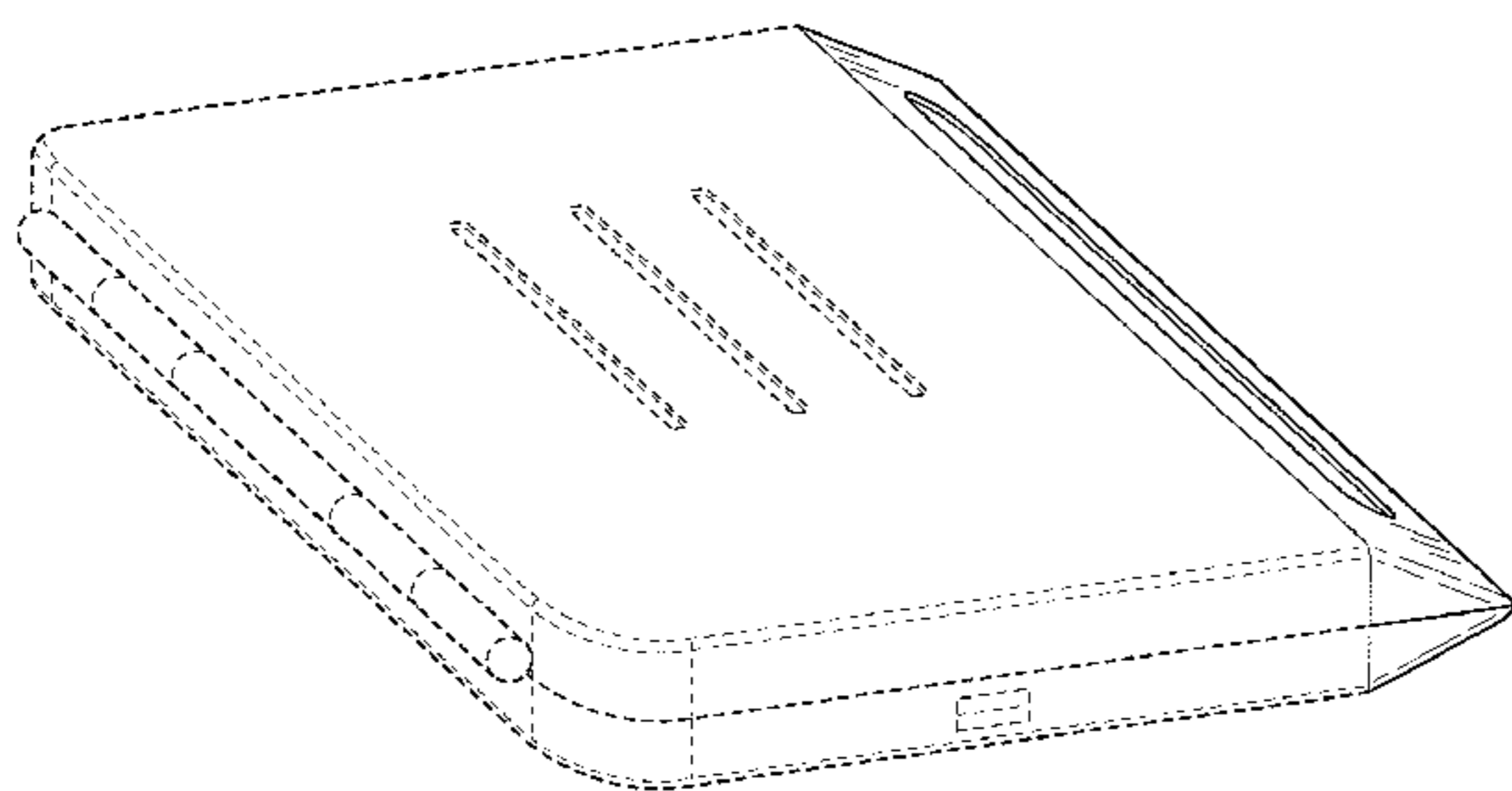
(57) **CLAIM**

The ornamental design for a handle for a cover/case for a tablet or e-reader, as shown and described in the accompanying drawings.

**DESCRIPTION**

FIG. 1 is a left, front perspective view of the handle for a cover/case for a tablet or e-reader;  
 FIG. 2 right, rear perspective view of the handle for a cover/case for a tablet or e-reader;  
 FIG. 3 is a right side view of the handle for a cover/case for a tablet or e-reader;  
 FIG. 4 is a top view of the handle for a cover/case for a tablet or e-reader;  
 FIG. 5 is a bottom view of the handle for a cover/case for a tablet or e-reader;  
 FIG. 6 is a front side view of the handle for a cover/case for a tablet or e-reader;  
 FIG. 7 is a rear side view of the handle for a cover/case for a tablet or e-reader;  
 FIG. 8 is a perspective view of the handle for a cover/case for a tablet or e-reader in an open configuration; and,  
 FIG. 9 is a perspective view of the handle for a cover/case for a tablet or e-reader in a second open configuration.  
 The broken line showing depicts environmental subject matter only and forms no part of the claimed design.

**1 Claim, 4 Drawing Sheets**



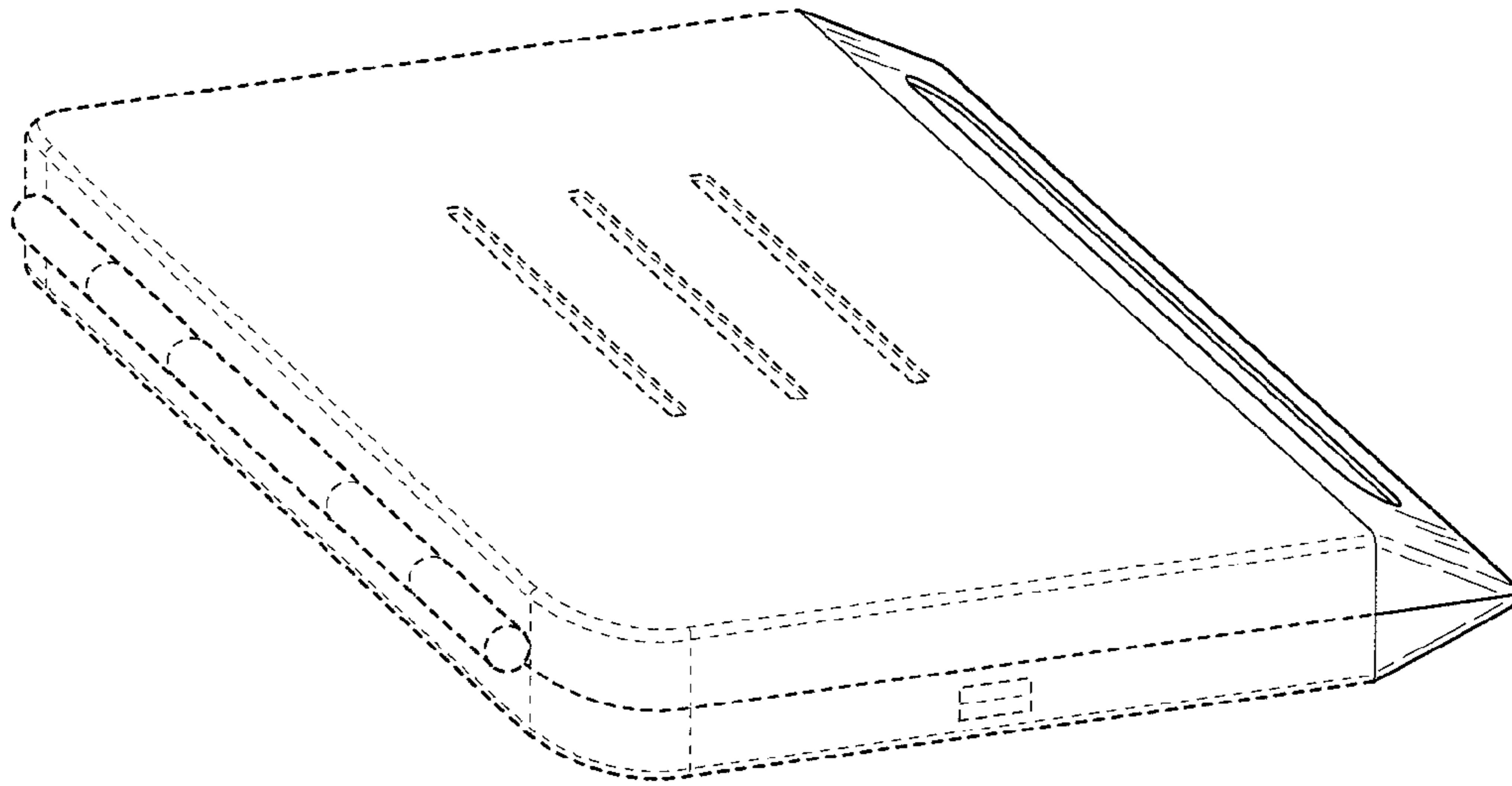


FIG. 1

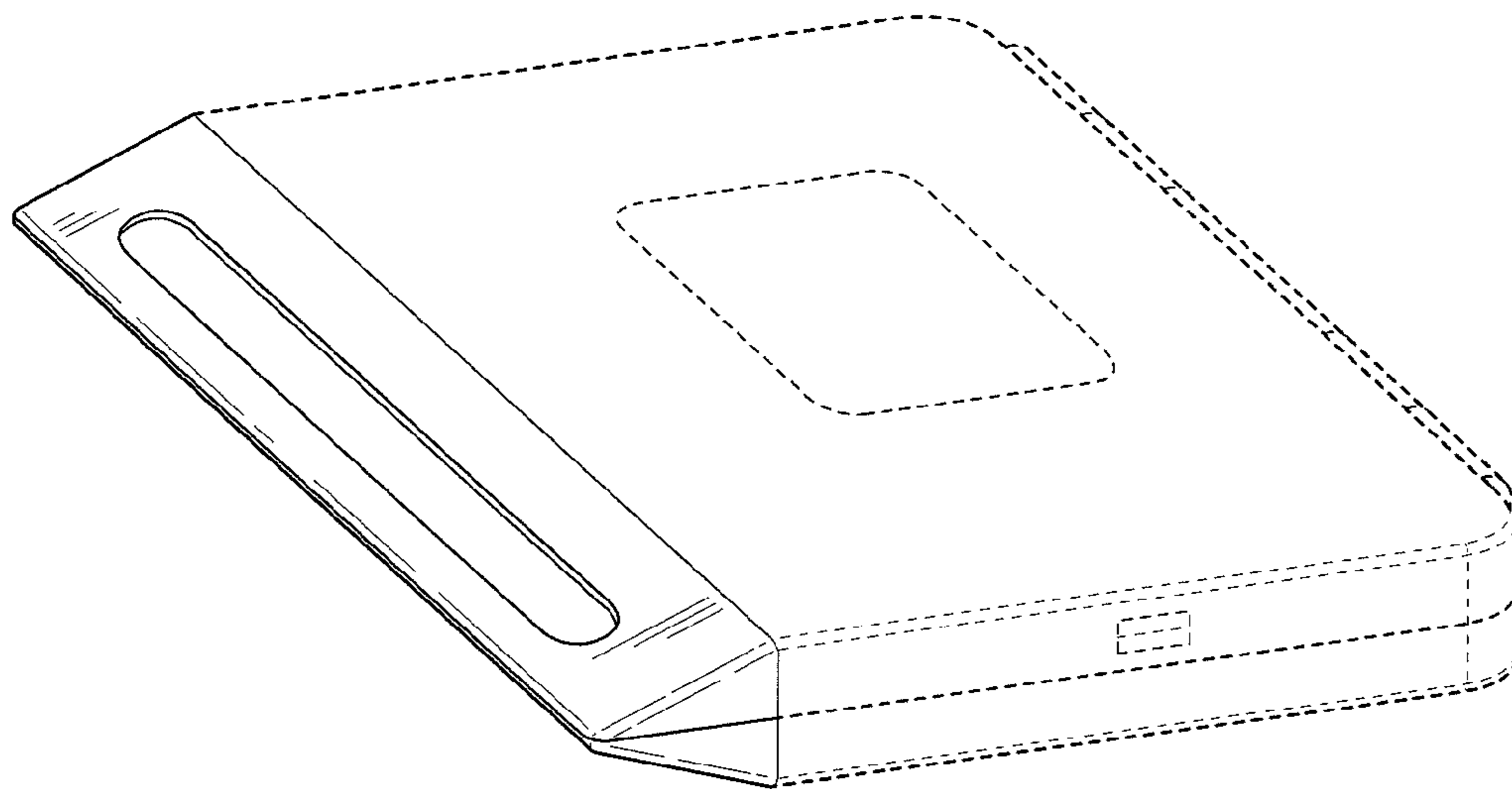


FIG. 2

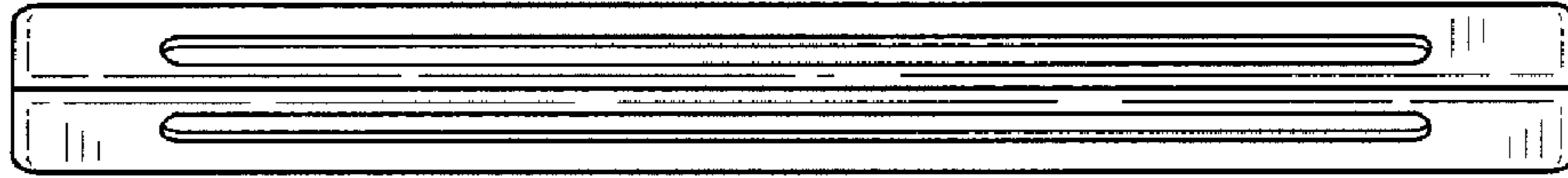


FIG. 3

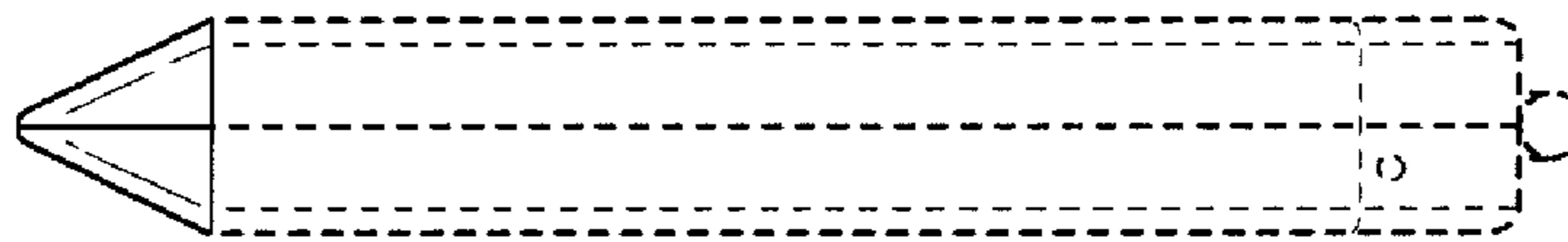


FIG. 4

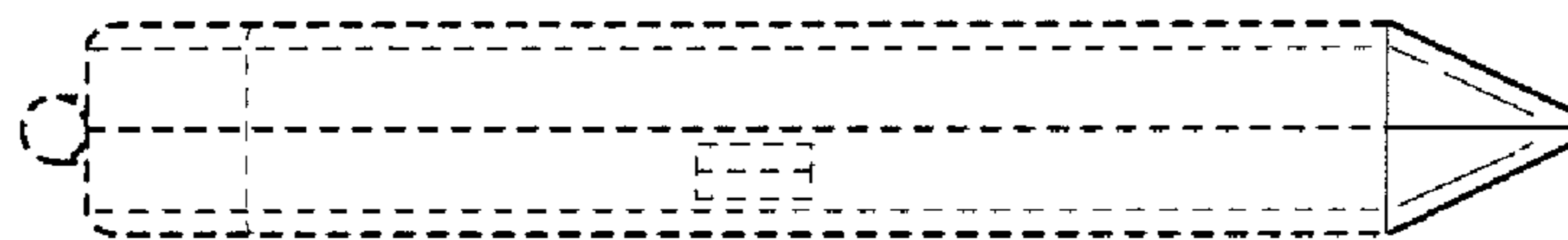


FIG. 5

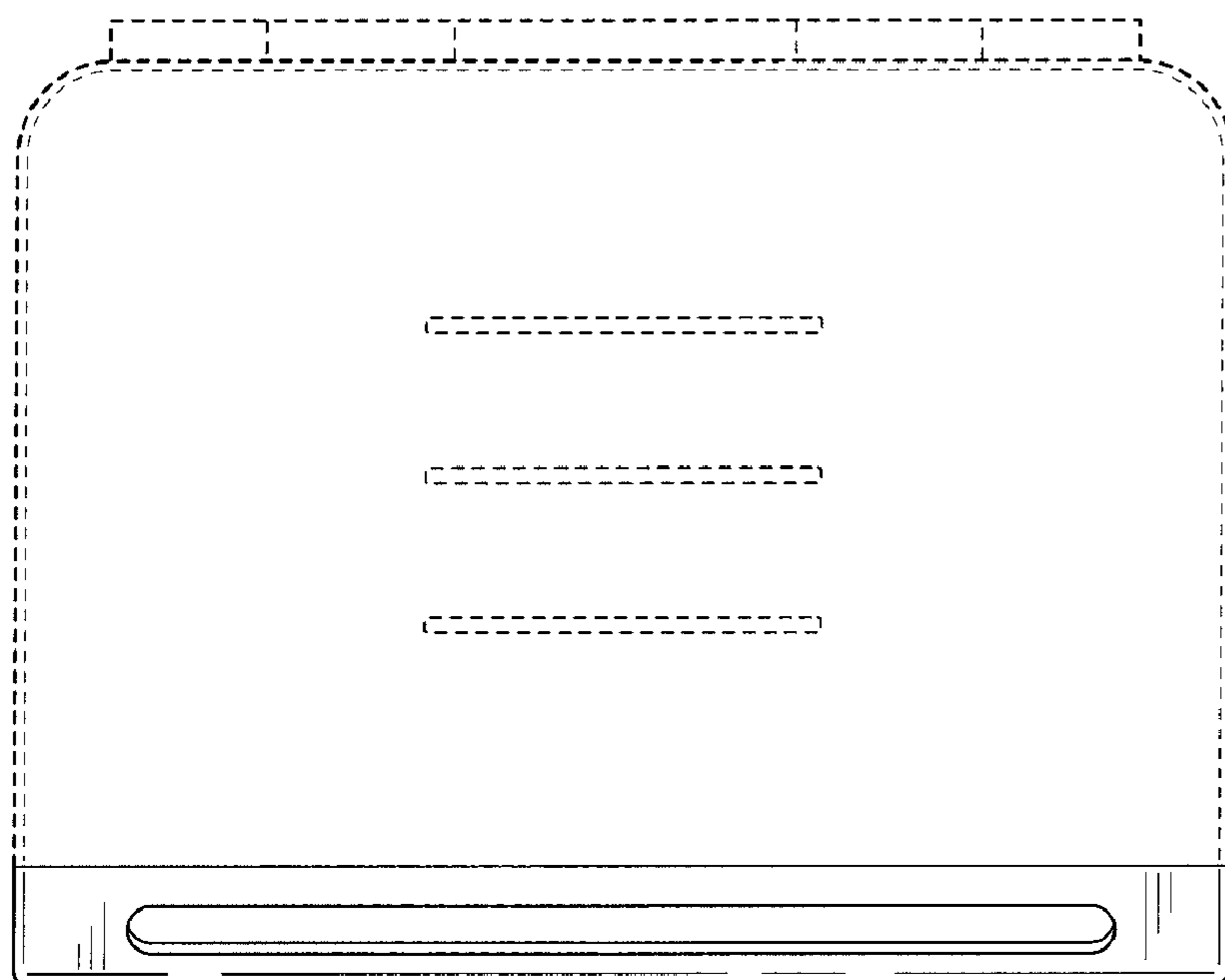


FIG. 6

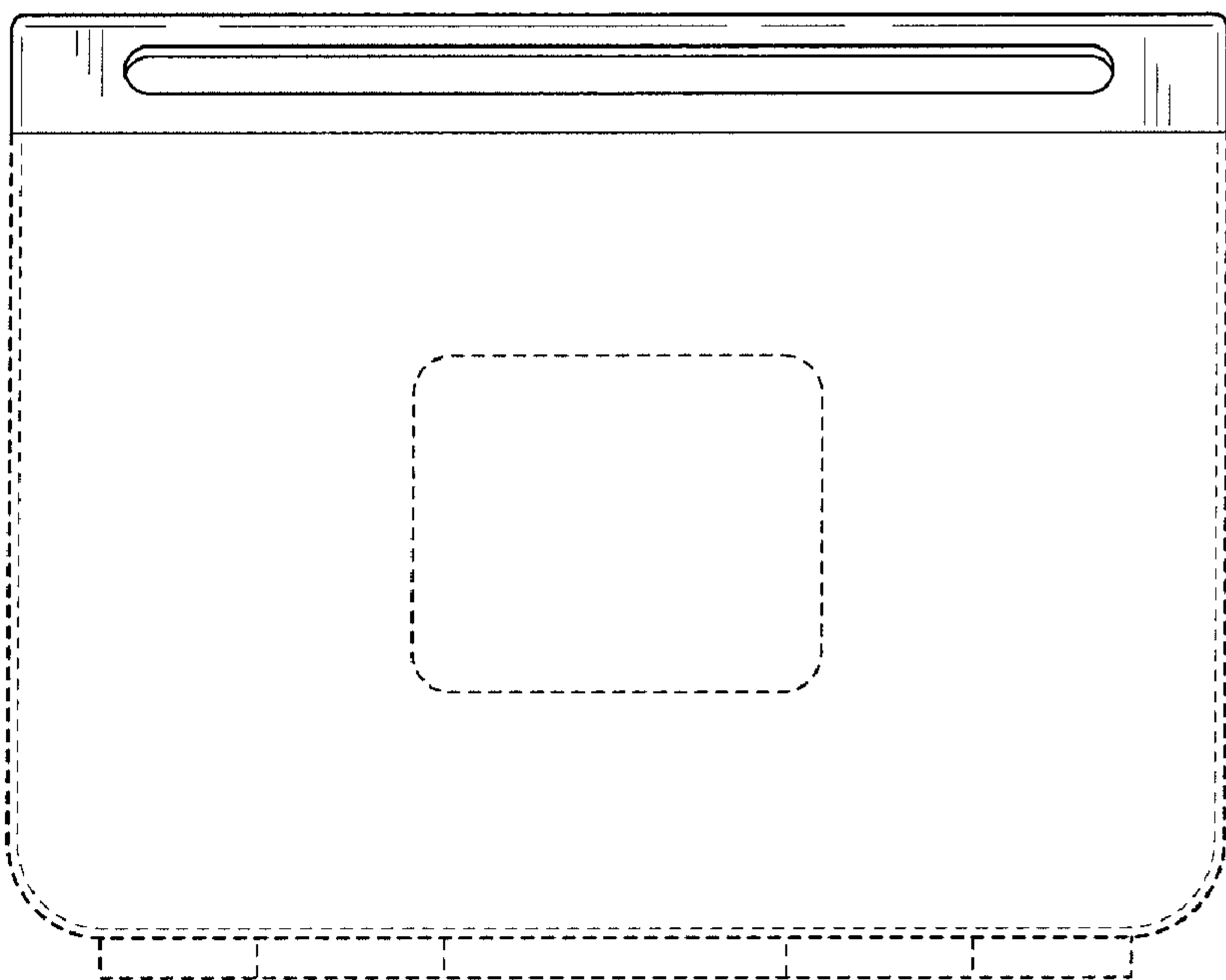


FIG. 7

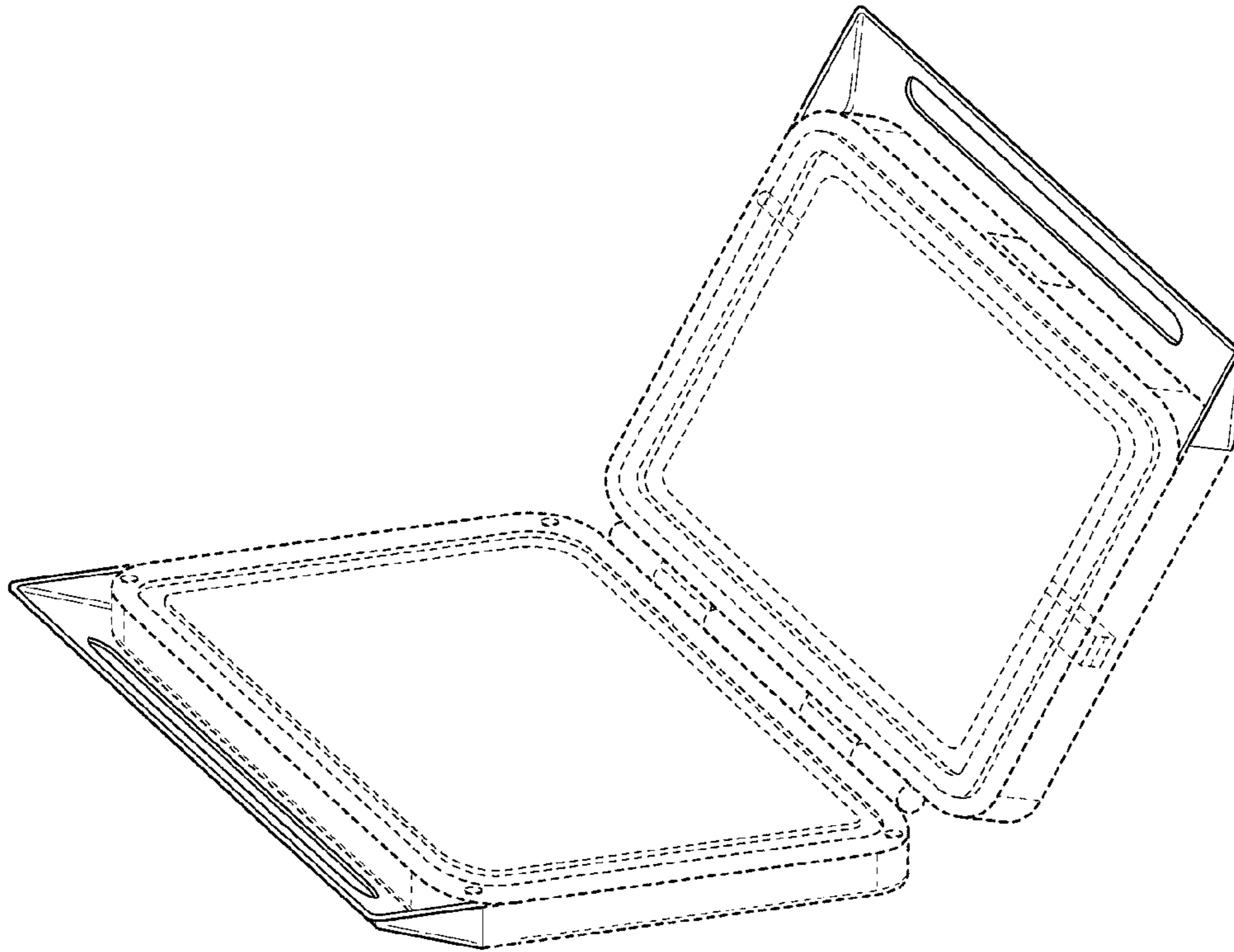


FIG. 8

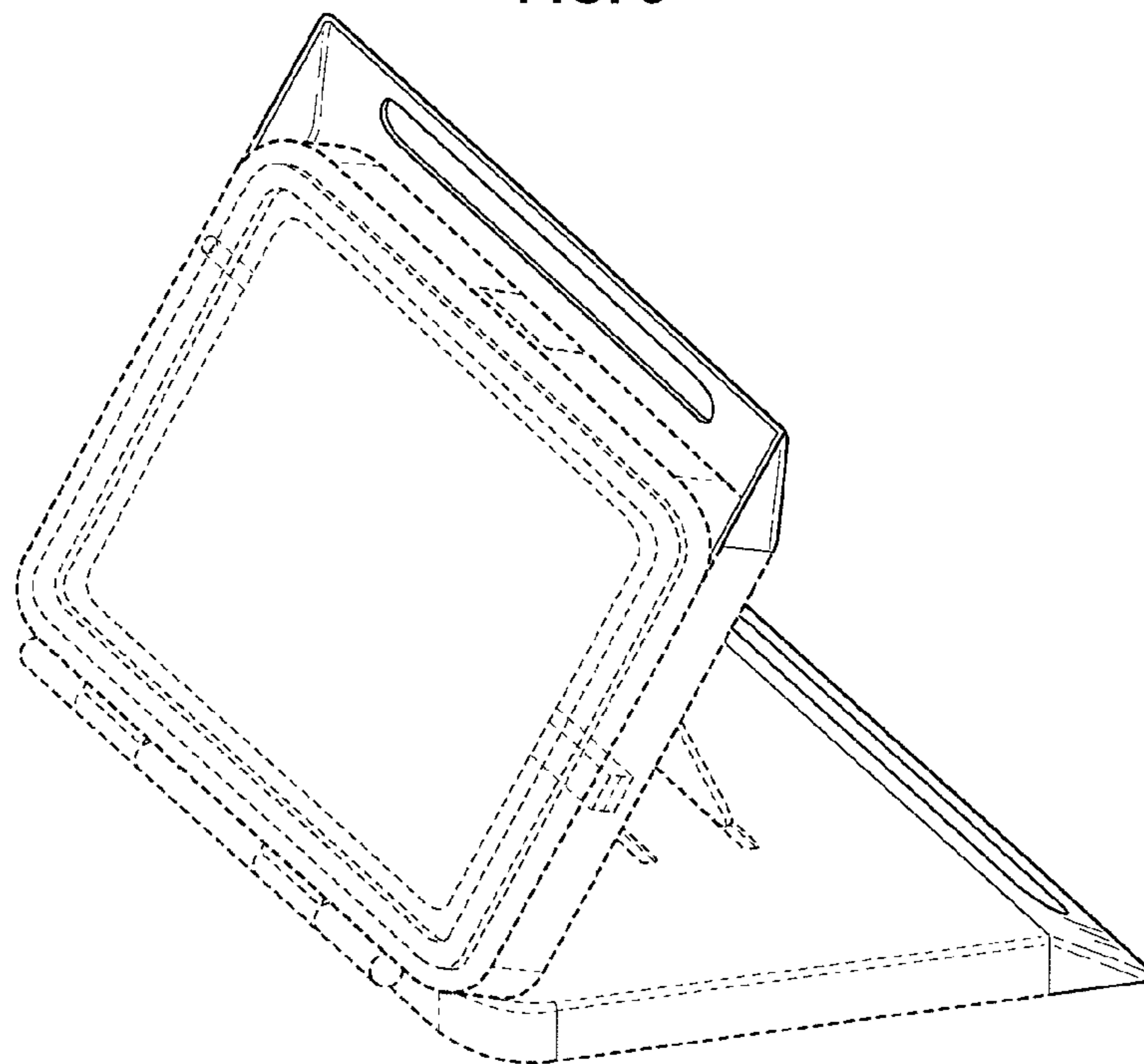


FIG. 9