



US00D675624S

(12) **United States Design Patent**
Wibby et al.

(10) **Patent No.:** **US D675,624 S**

(45) **Date of Patent:** **** Feb. 5, 2013**

(54) **CASE FOR ELECTRONIC DEVICE**

(75) Inventors: **Adam Wibby**, Fort Collins, CO (US);
Alan Morine, Fort Collins, CO (US)

(73) Assignee: **Otter Products, LLC**, Fort Collins, CO (US)

(**) Term: **14 Years**

(21) Appl. No.: **29/399,365**

(22) Filed: **Aug. 12, 2011**

(51) **LOC (9) Cl.** **14-02**

(52) **U.S. Cl.** **D14/440**

(58) **Field of Classification Search** D14/250,
D14/251, 253, 240, 217, 496, 440, 203.3,
D14/203.4, 203.5, 203.8, 432, 439, 300;
D3/218, 215, 201; 220/4.02; 248/309.1;
361/679.56, 679.03; 379/426, 433.11, 455;
455/575.1, 575.8; 190/100; 206/305, 320

See application file for complete search history.

(56) **References Cited**

U.S. PATENT DOCUMENTS

D357,918 S *	5/1995	Doria	D14/218
D602,017 S *	10/2009	Andre et al.	D14/341
D624,065 S *	9/2010	Bosch et al.	D14/250
D634,313 S *	3/2011	Fitzpatrick et al.	D14/250
D637,592 S *	5/2011	Magness et al.	D14/250
D643,836 S *	8/2011	Smith et al.	D14/250
D646,266 S *	10/2011	Kim et al.	D14/250

D651,204 S *	12/2011	Wibby et al.	D14/250
D654,490 S *	2/2012	Weller et al.	D14/250
8,132,670 B1 *	3/2012	Chen	206/320
D662,100 S *	6/2012	Van Den Nieuwenhuizen	D14/440
		et al.	D14/440
D664,130 S *	7/2012	Lee	D14/240
2010/0240427 A1 *	9/2010	Lee	455/575.8
2010/0289390 A1 *	11/2010	Kenney	312/223.1
2010/0300909 A1 *	12/2010	Hung	206/320

* cited by examiner

Primary Examiner — Cynthia Underwood

(57) **CLAIM**

The ornamental design for a case for electronic device, as shown and described.

DESCRIPTION

FIG. 1 is a front isometric view of a case showing our new design;

FIG. 2 is a rear isometric view thereof;

FIG. 3 is a front view thereof;

FIG. 4 is a rear view thereof;

FIG. 5 is a left view thereof;

FIG. 6 is a right view thereof;

FIG. 7 is a top view thereof; and,

FIG. 8 is a bottom view thereof.

The broken line perimeter of the large unshaded rectangular region on the front of the case in FIGS. 1 and 3 represents a boundary of the claimed design. All other broken lines depict unclaimed environment. The broken lines and unshaded regions bounded by broken lines form no part of the claimed design.

1 Claim, 6 Drawing Sheets

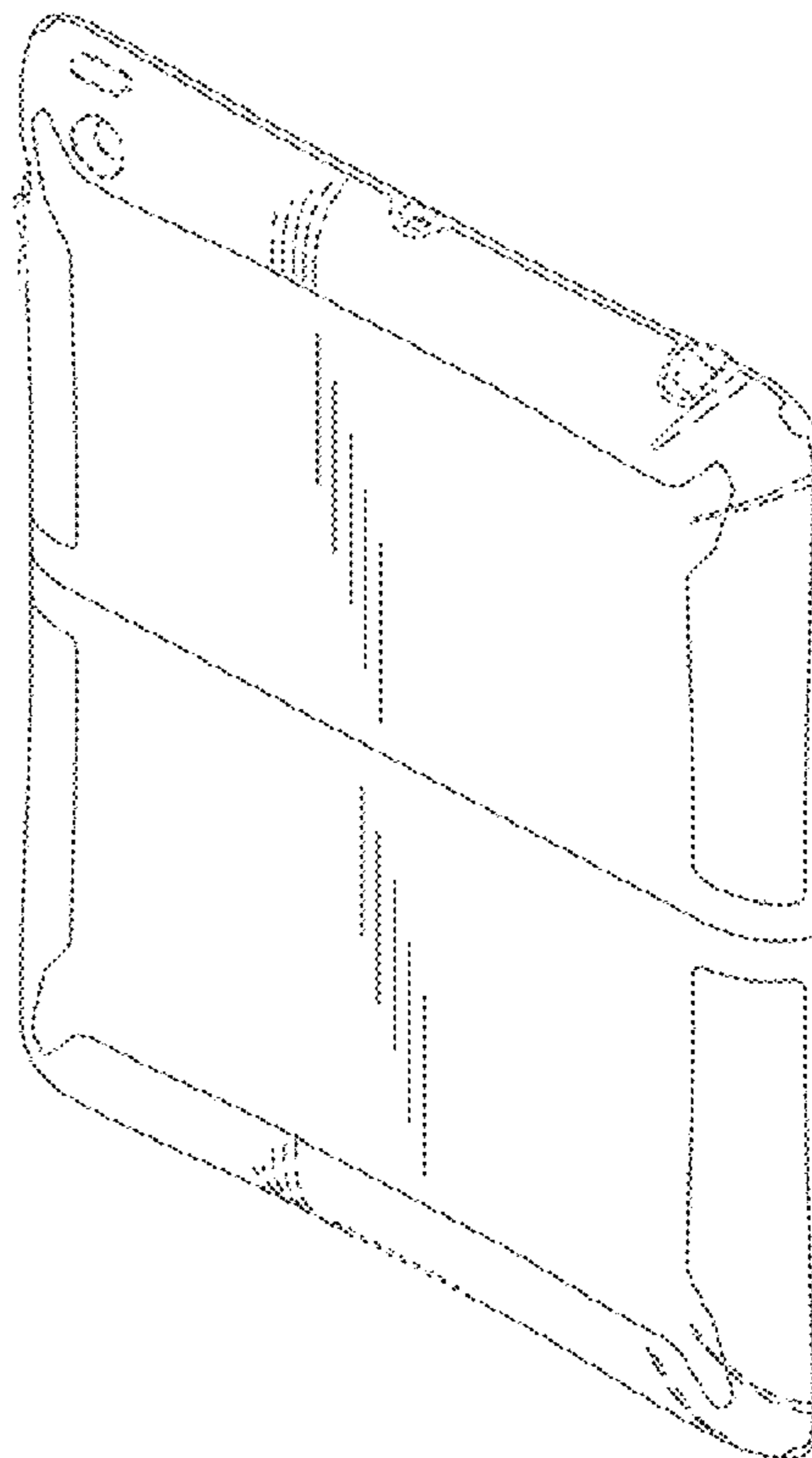
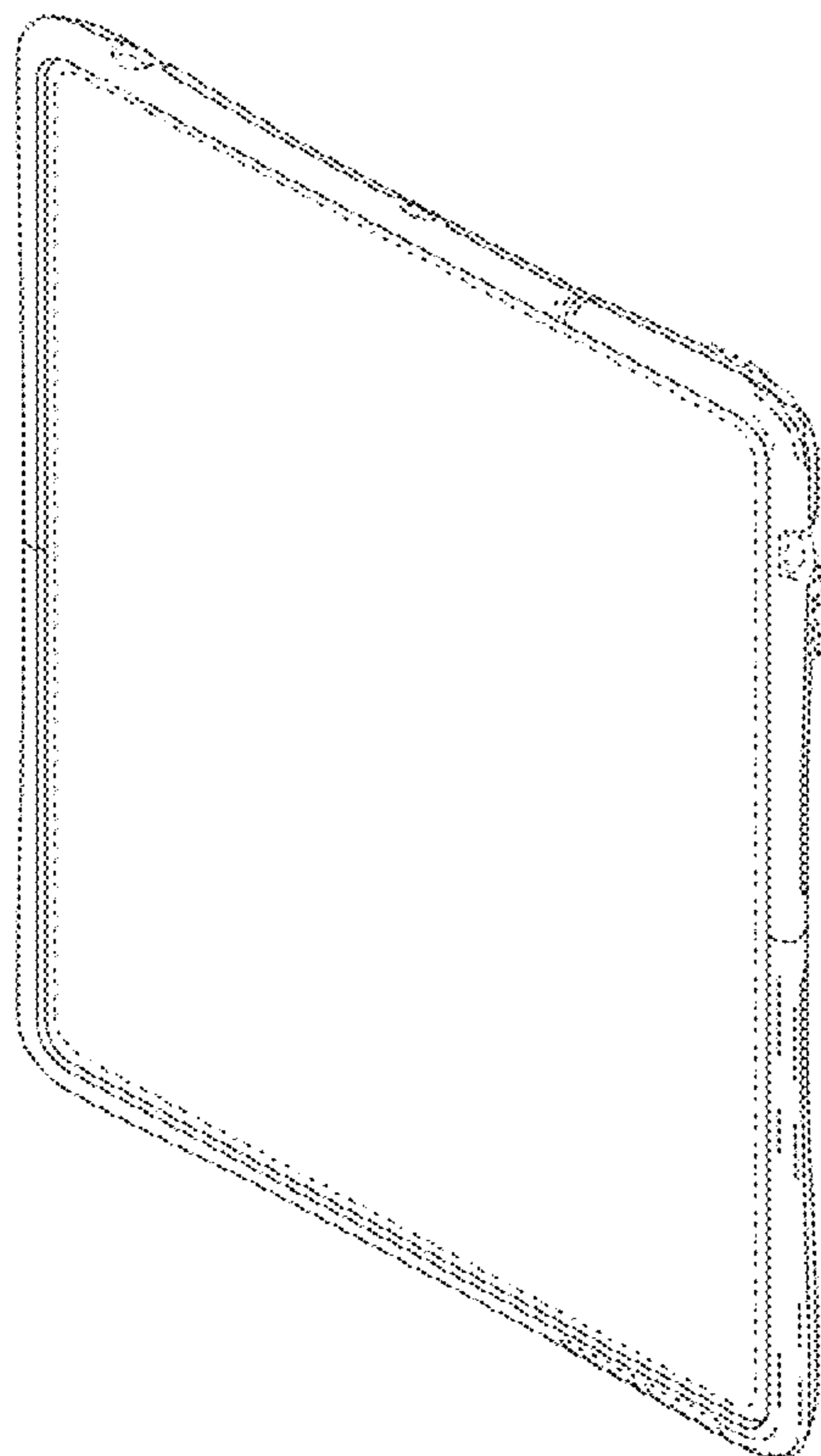




FIG. 1

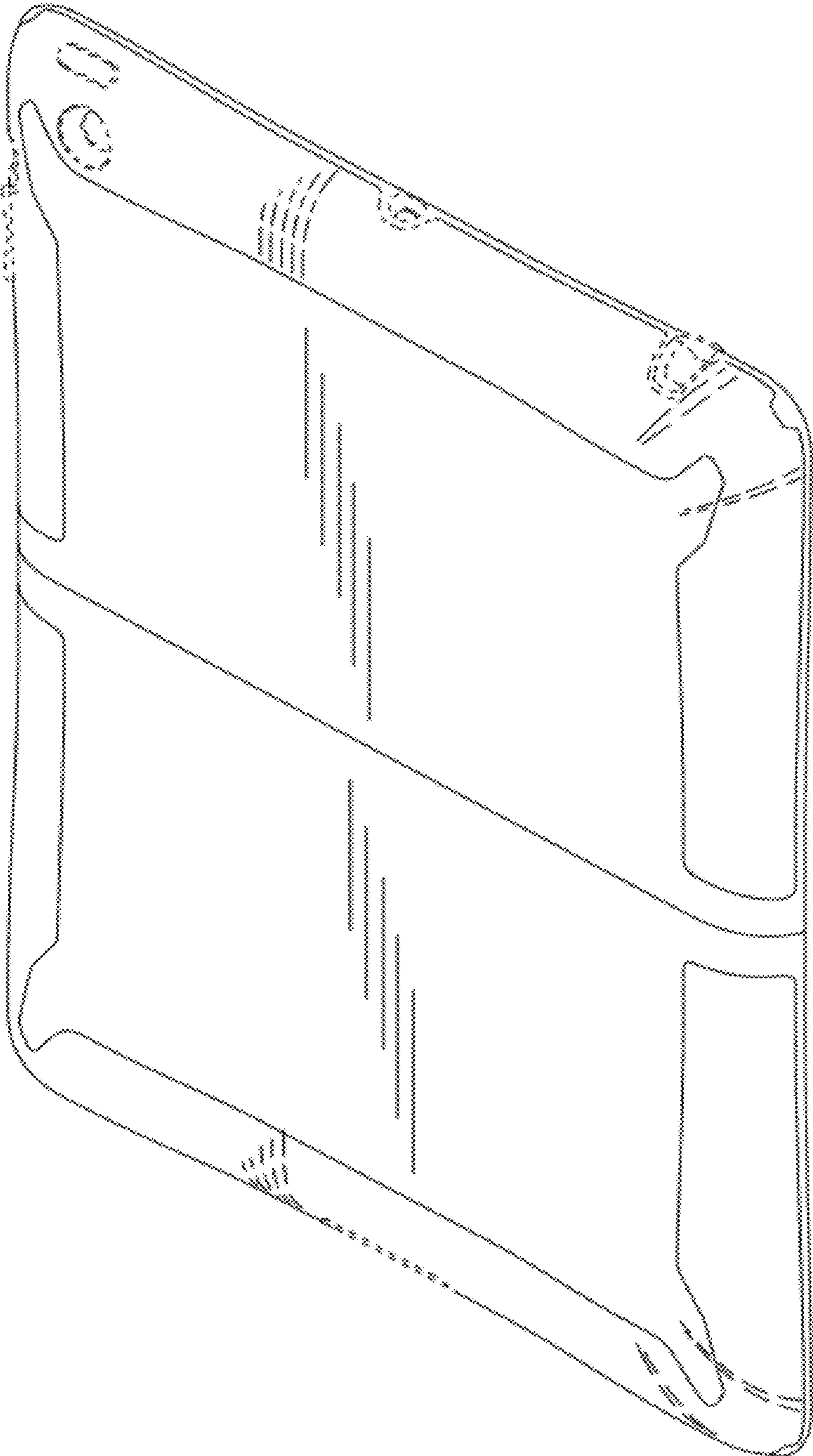


FIG. 2

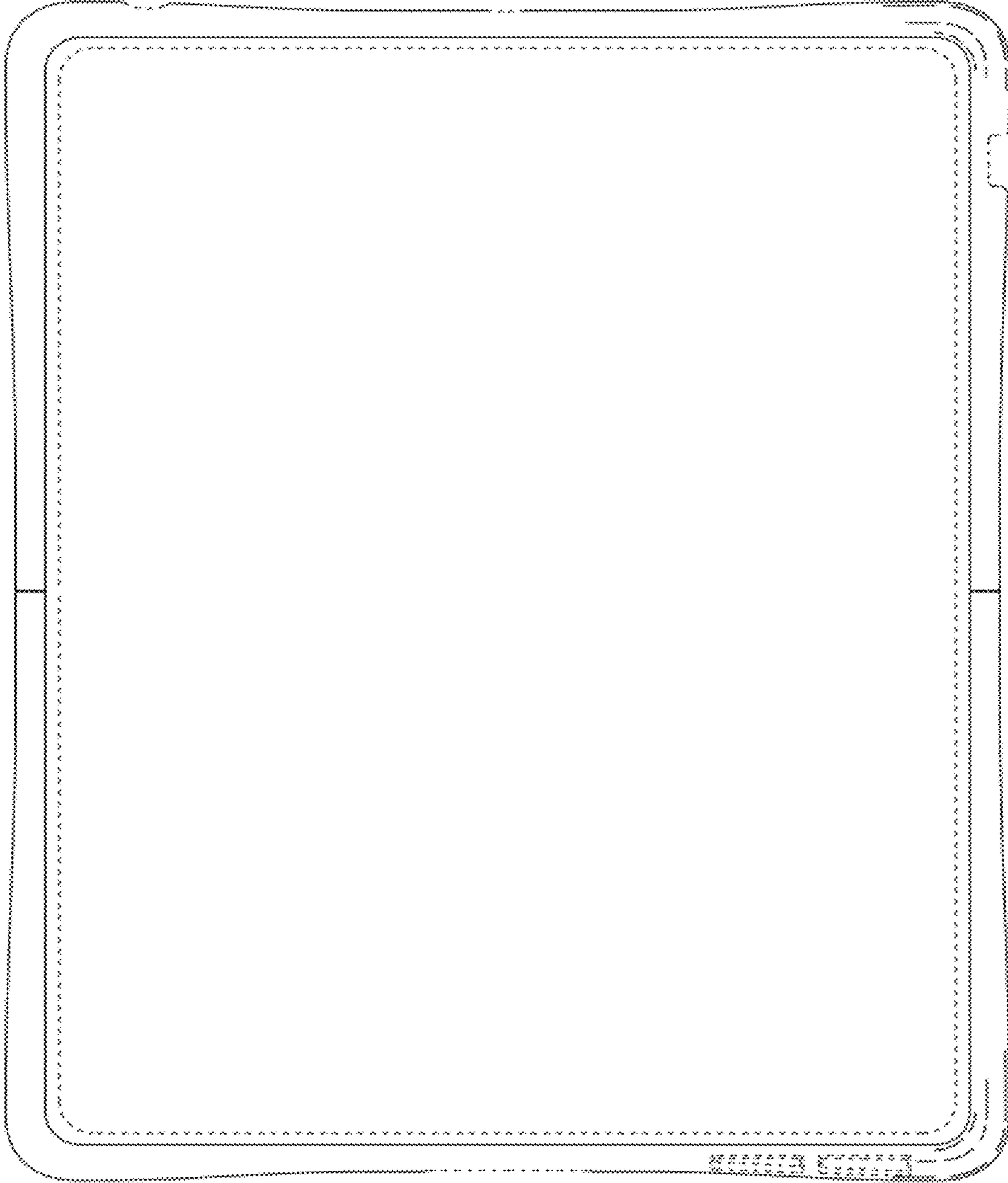


FIG. 3

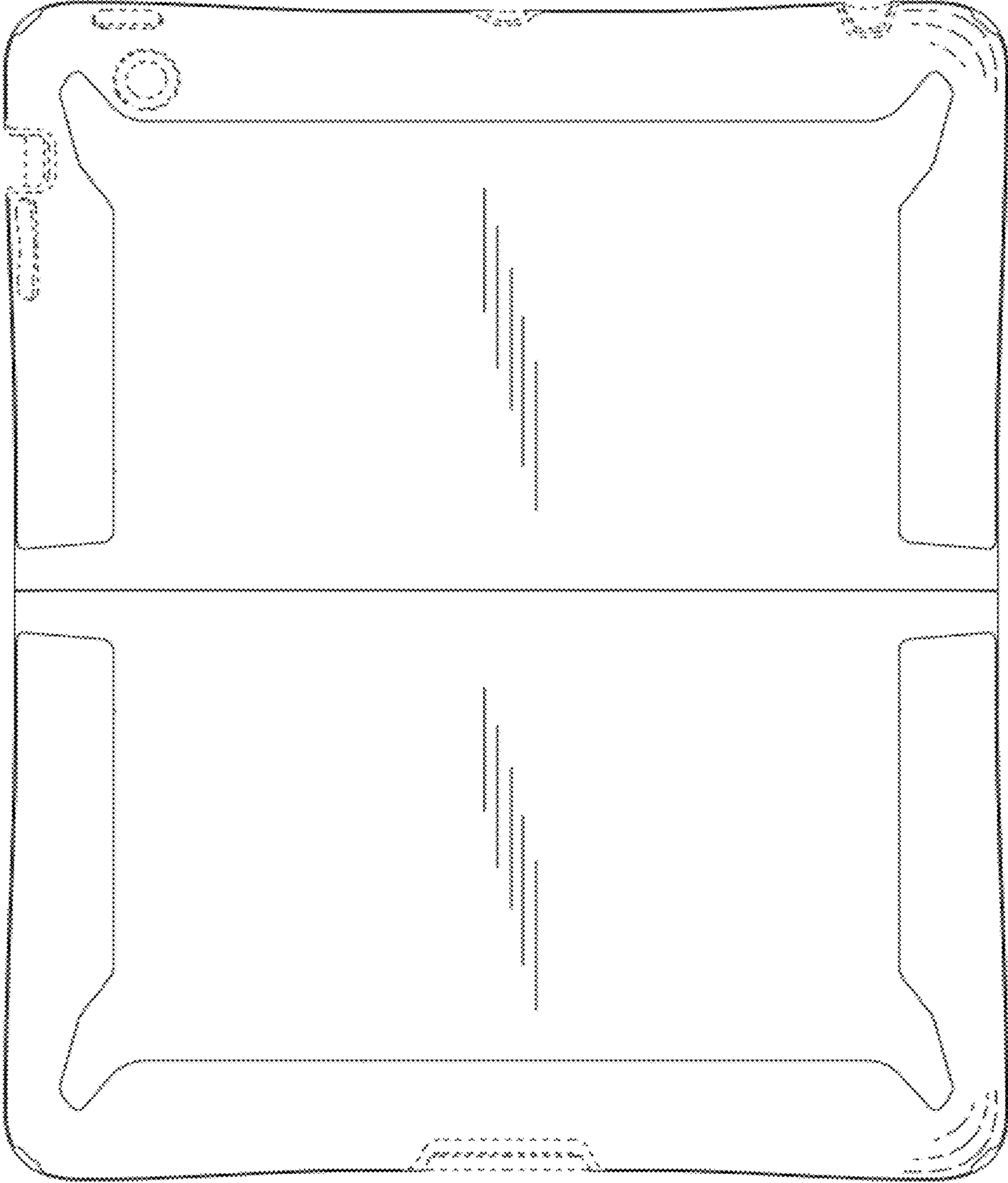


FIG. 4

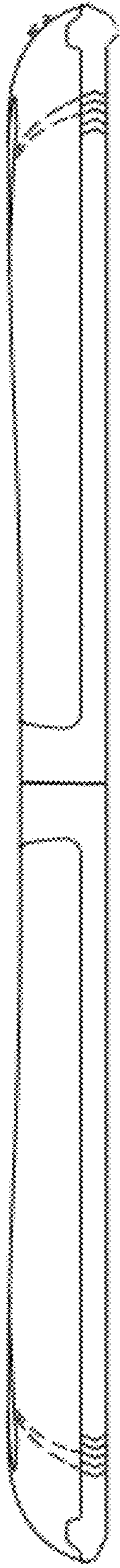


FIG. 5

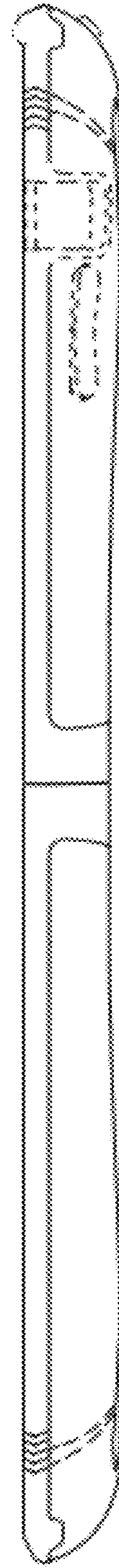


FIG. 6

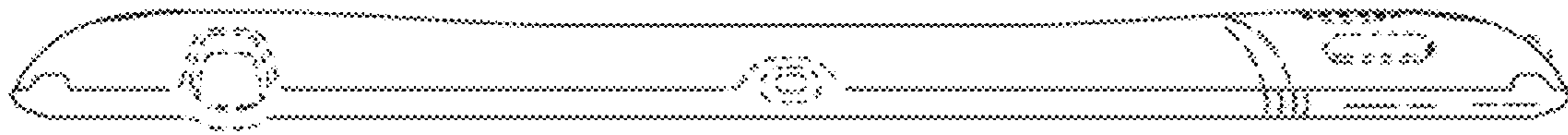


FIG. 7

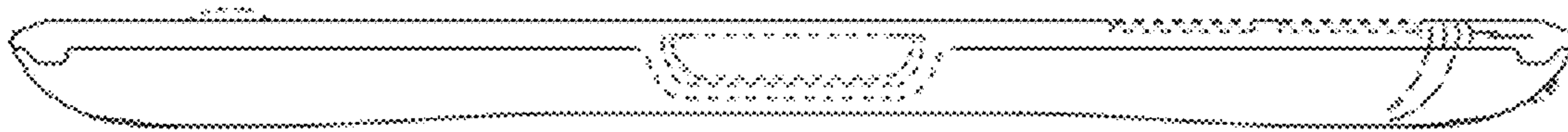


FIG. 8