



US00D675623S

(12) **United States Design Patent**
Chen et al.

(10) **Patent No.:** **US D675,623 S**

(45) **Date of Patent:** **** Feb. 5, 2013**

(54) **DOCKING STATION FOR PAD**

(75) Inventors: **Jyun-Jie Chen**, Hemei Township,
Changhua County (TW); **Shih-Yun Lee**,
New Taipei (TW); **Jung-Wen Chang**,
Lujhu Township, Taoyuan County (TW)

(73) Assignee: **Quanta Computer Inc.**, Taoyuan Shien
(TW)

(**) Term: **14 Years**

(21) Appl. No.: **29/420,239**

(22) Filed: **May 7, 2012**

(30) **Foreign Application Priority Data**

Mar. 12, 2012 (TW) 10130146

(51) **LOC (9) Cl.** **14-02**

(52) **U.S. Cl.** **D14/434**

(58) **Field of Classification Search** D14/432-434,
D14/314, 204, 420, 421, 447, 217, 358, 138 R,
D14/140, 142; D13/107, 108, 146; D8/373;
248/346.03, 176.1; 361/679.41, 679.31,
361/679.32, 679.4, 679.43, 679.55, 679.58,
361/679.33; 320/109, 112-115; 710/15,
710/303; 455/557; 439/347, 534

See application file for complete search history.

(56) **References Cited**

U.S. PATENT DOCUMENTS

D472,900 S *	4/2003	Matsumoto	D14/447
D535,655 S *	1/2007	Araki	D14/439
D642,519 S *	8/2011	Woo et al.	D13/108
D652,834 S *	1/2012	Jones et al.	D14/434

* cited by examiner

Primary Examiner — Freda S Nunn

(74) *Attorney, Agent, or Firm* — Rabin & Berdo, P.C.

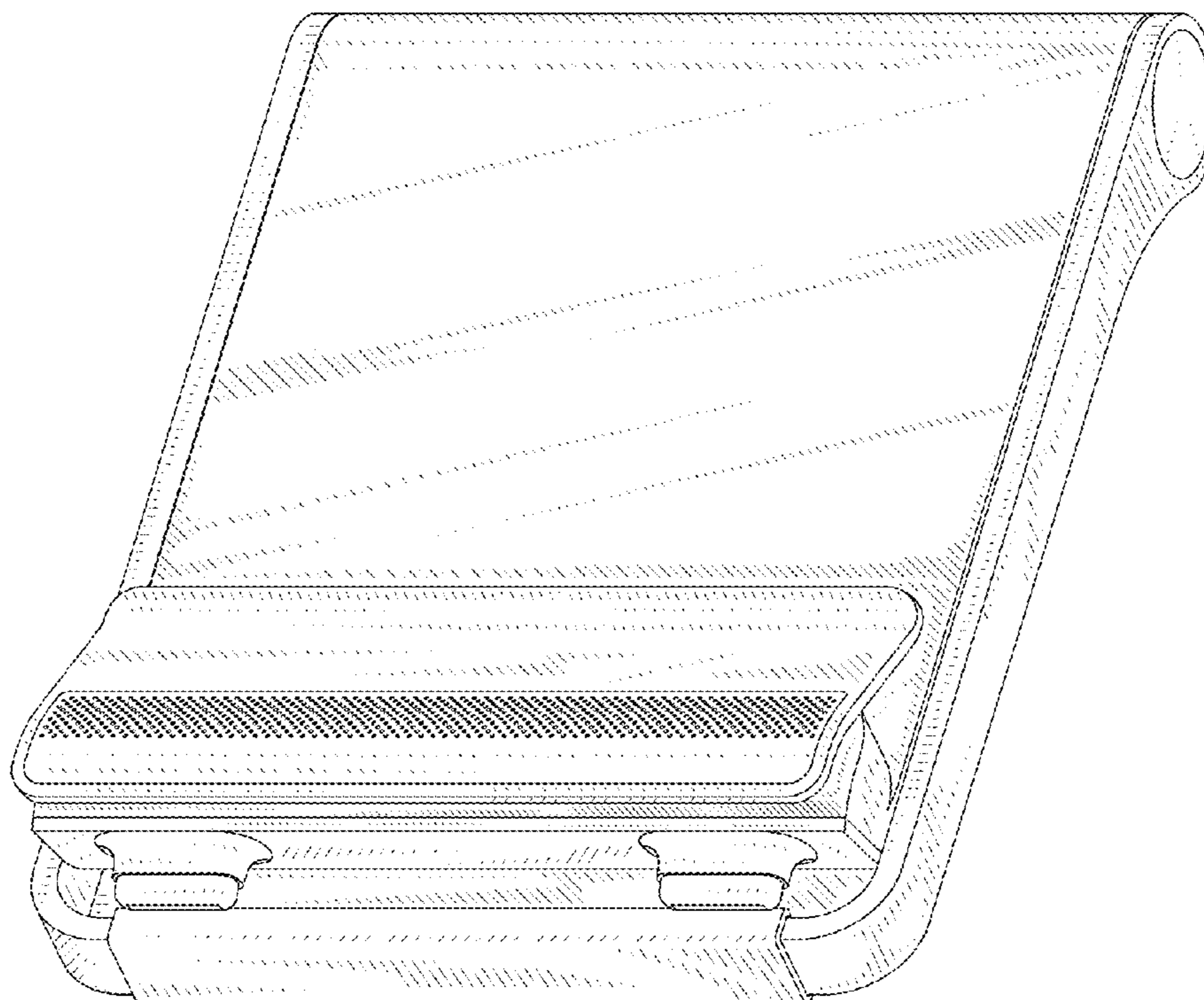
(57) **CLAIM**

The ornamental design for a docking station for pad, as shown and described.

DESCRIPTION

FIG. 1 is a perspective view of a docking station for pad showing our new design; FIG. 2 is a front view thereof; FIG. 3 is a rear view thereof; FIG. 4 is a left side view thereof; FIG. 5 is a right side view thereof; FIG. 6 is a top view thereof; and, FIG. 7 is a bottom view thereof.

1 Claim, 4 Drawing Sheets



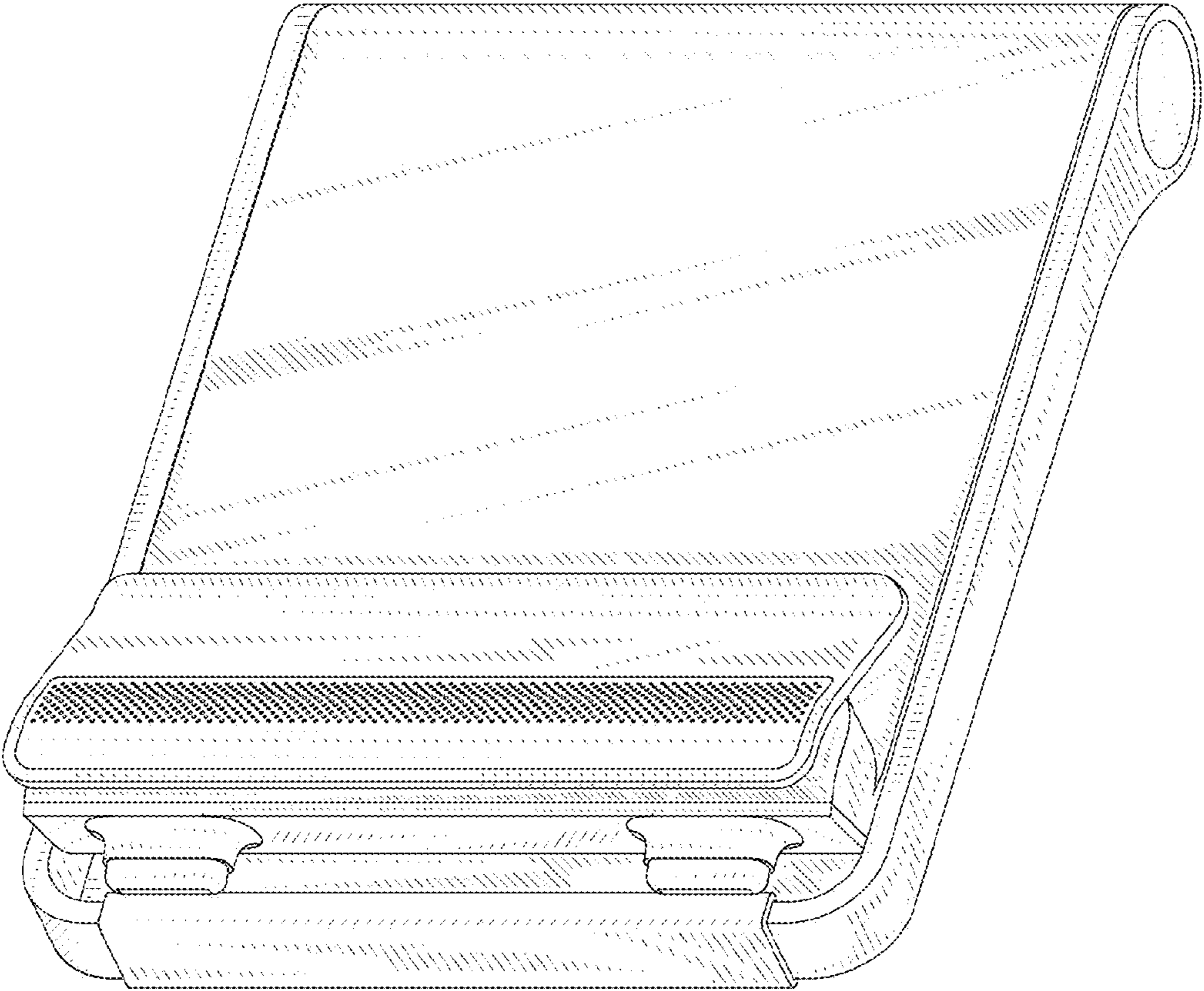


FIG. 1

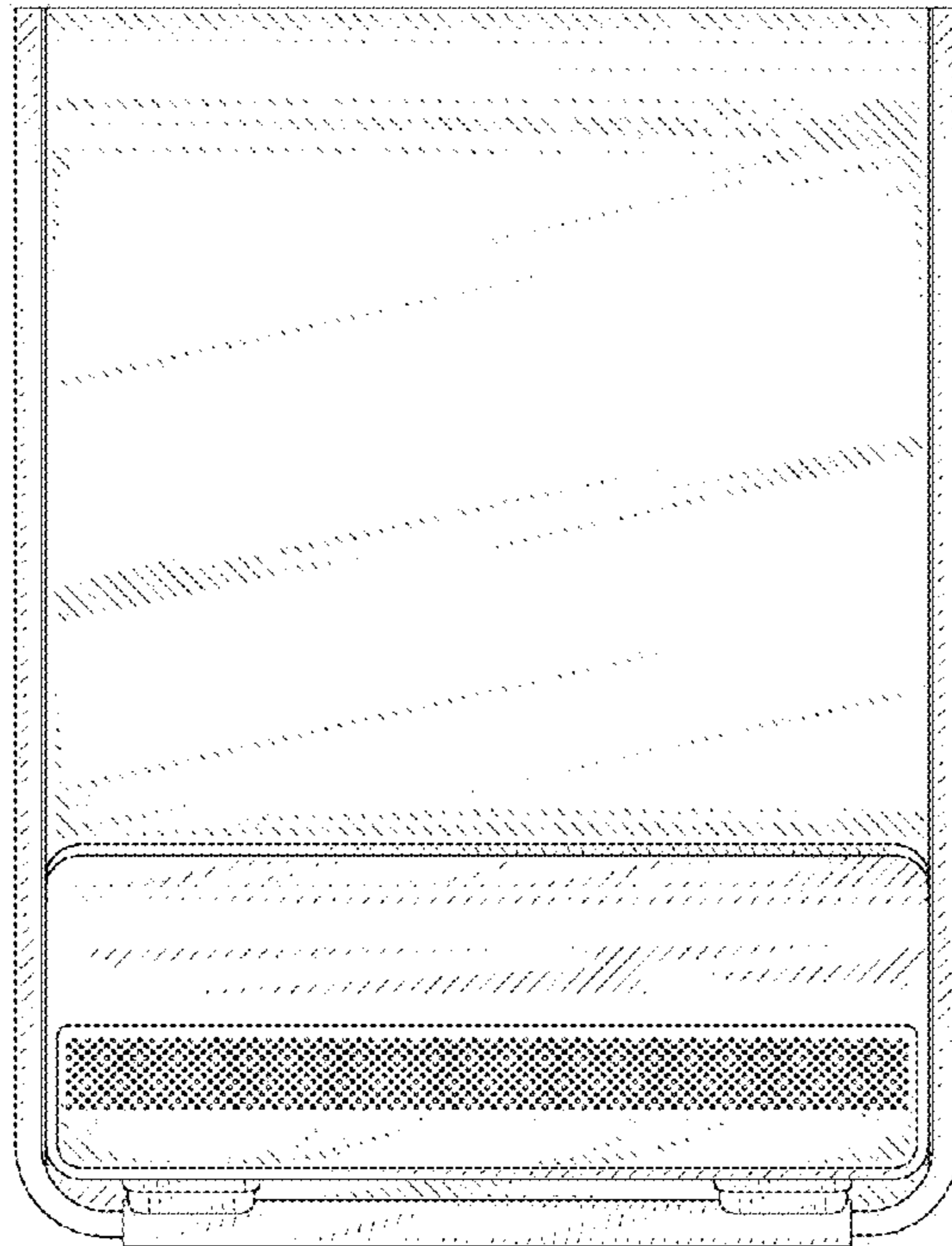


FIG. 2

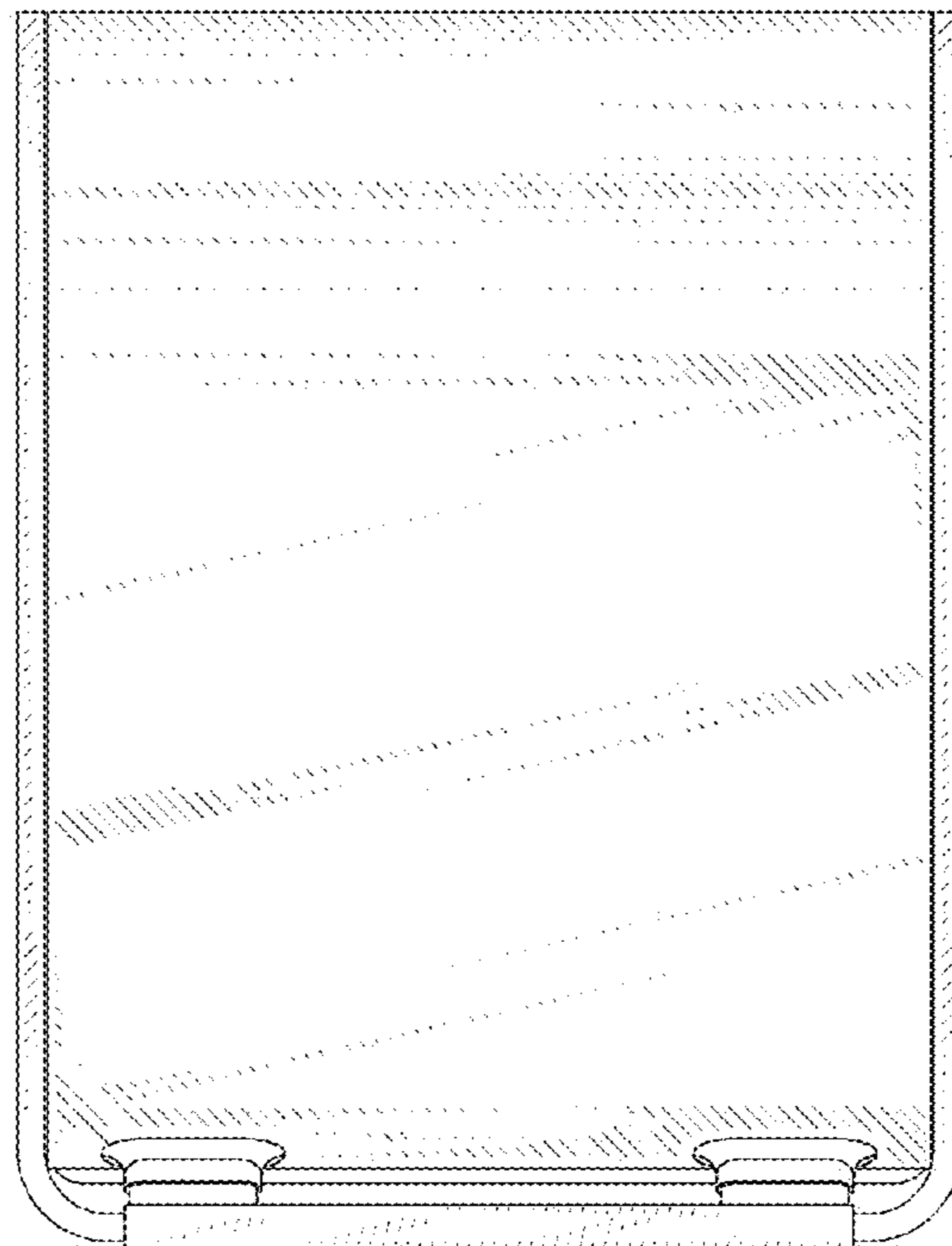


FIG. 3

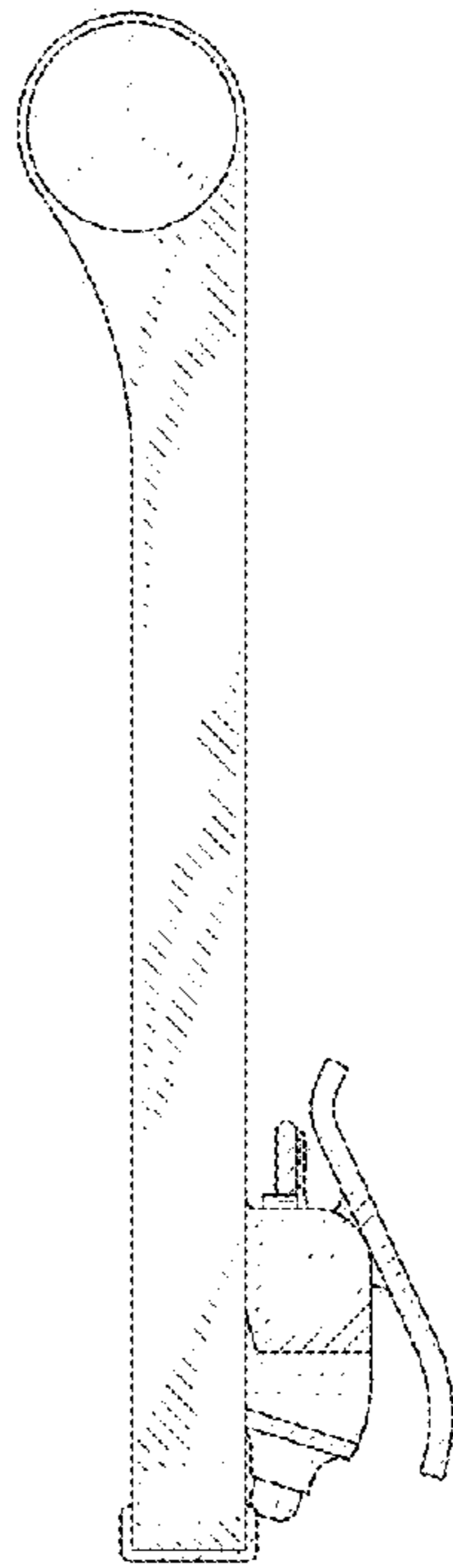


FIG. 4

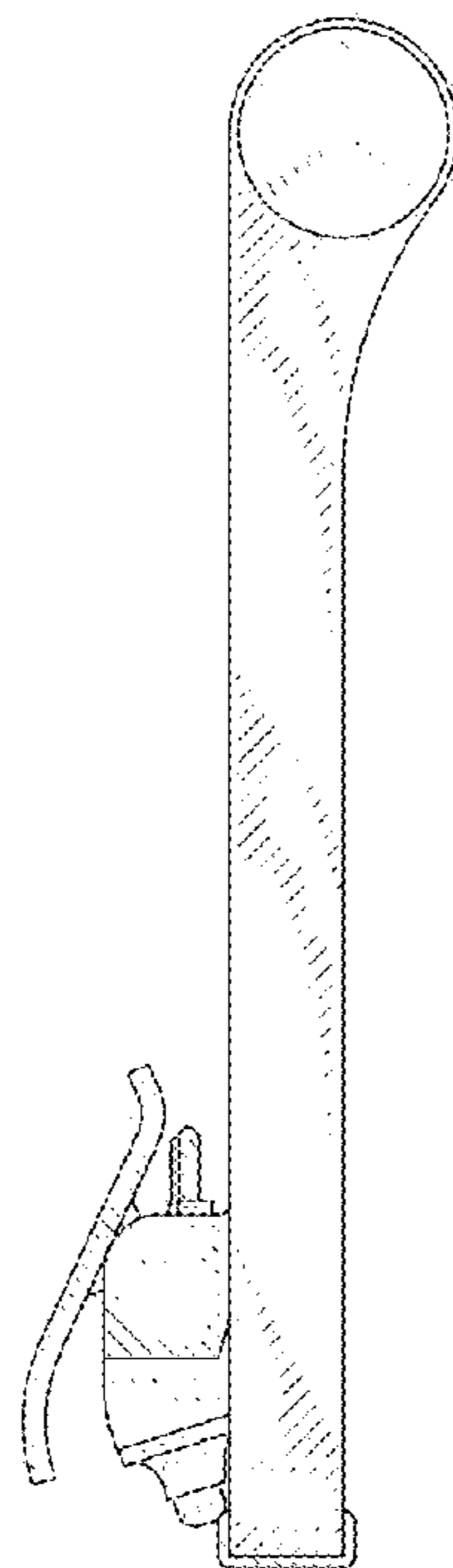


FIG. 5

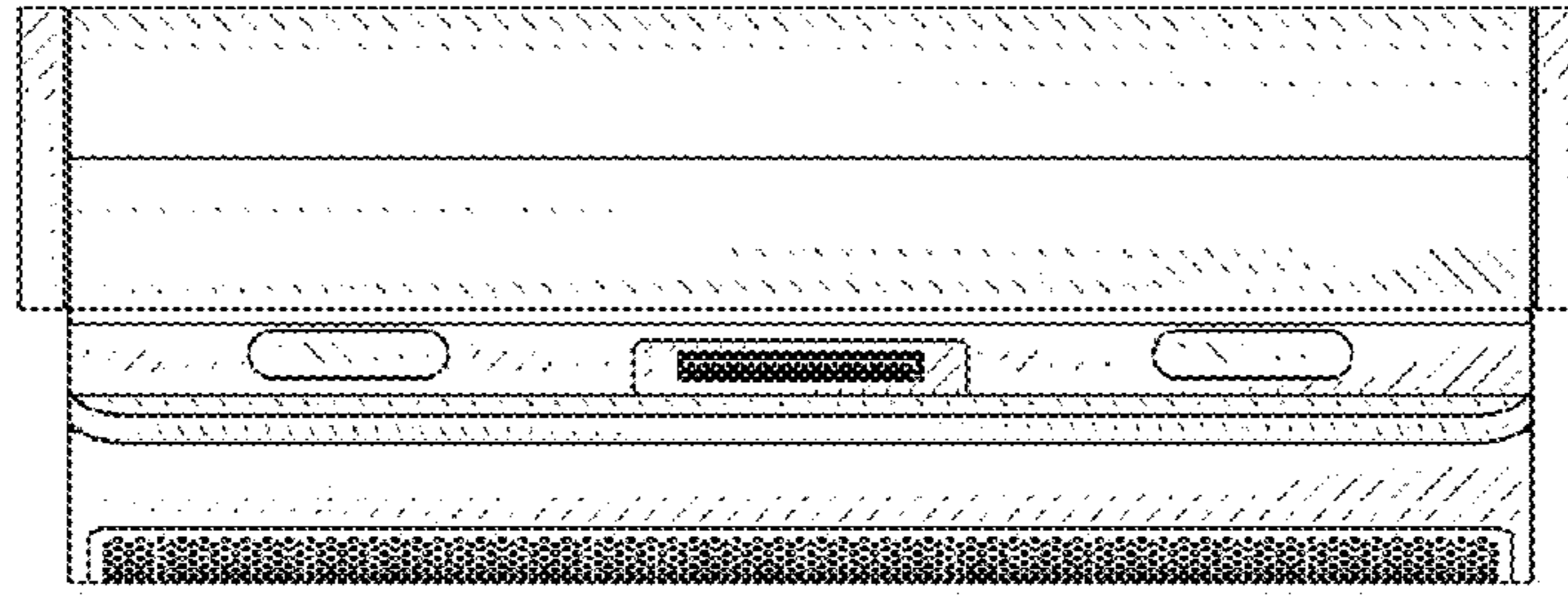


FIG. 6

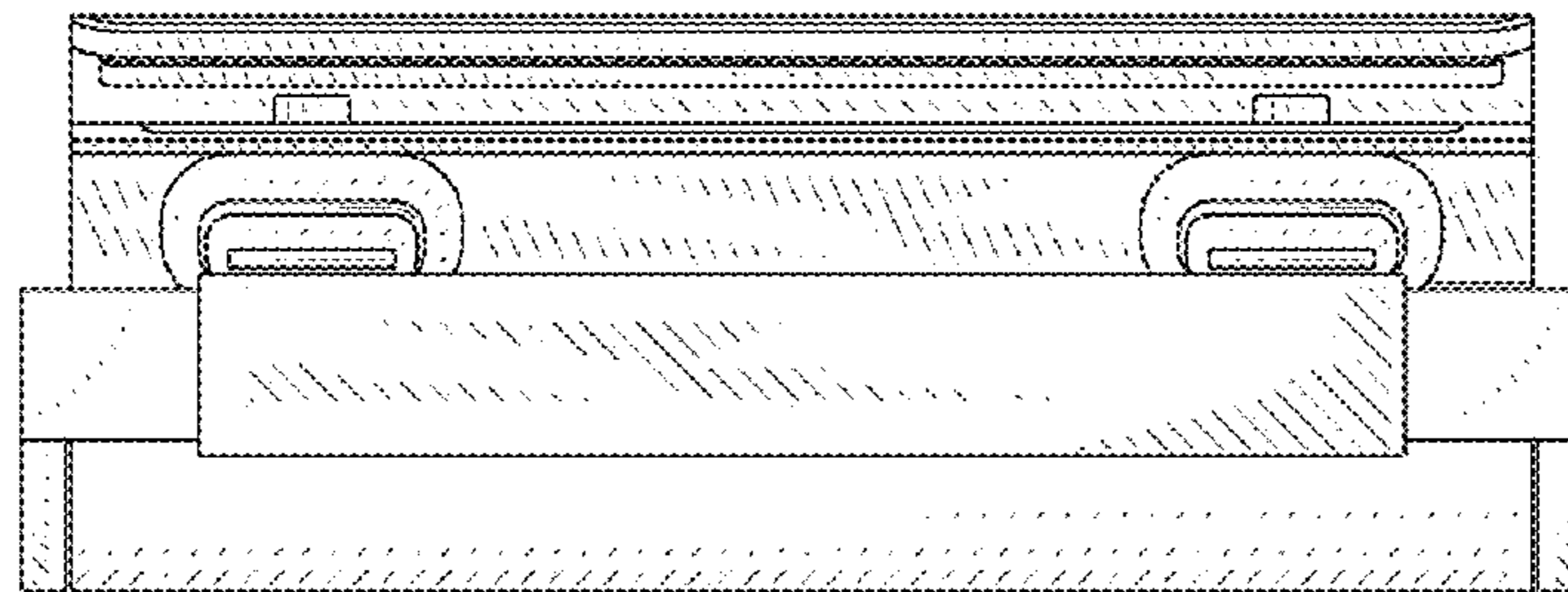


FIG. 7