



US00D675622S

(12) **United States Design Patent**
Petrick et al.

(10) **Patent No.:** **US D675,622 S**
(45) **Date of Patent:** **** Feb. 5, 2013**

(54) **PORTABLE COMPUTING DEVICE STORAGE TRAY**

(75) Inventors: **Christopher Petrick**, Park Ridge, IL (US); **Matthew Petrick**, Oak Park, IL (US); **Chris Brandel**, Chicago, IL (US)

(73) Assignee: **Bretford Manufacturing, Inc.**, Franklin Park, IL (US)

(**) Term: **14 Years**

(21) Appl. No.: **29/384,379**

(22) Filed: **Jan. 31, 2011**

(51) **LOC (9) Cl.** **14-02**

(52) **U.S. Cl.** **D14/434; D13/107**

(58) **Field of Classification Search** D14/432-434, D14/314, 204, 420, 421, 447, 217, 358, 138 R, D14/140, 142; D13/107, 108, 146; D8/373; 248/346.03, 176.1; 361/679.41, 679.31, 361/679.32, 679.4, 679.43, 679.55, 679.58, 361/679.33, 724; 320/109, 112-115; 710/15, 710/303; 455/557; 439/347, 534

See application file for complete search history.

(56) **References Cited**

U.S. PATENT DOCUMENTS

D278,703	S	*	5/1985	Chiodo et al.	D13/107
5,317,691	A	*	5/1994	Traeger	709/250
D352,500	S	*	11/1994	Hackleman	D14/348
D377,790	S	*	2/1997	Ober et al.	D14/453
6,042,414	A	*	3/2000	Kunert	439/374

6,594,051	B1	*	7/2003	Chaplin et al.	398/139
D512,019	S	*	11/2005	Lie	D13/108
D579,408	S	*	10/2008	Benyameen	D13/107
D597,940	S	*	8/2009	Navid	D13/108
D601,953	S	*	10/2009	Asai	D13/107

* cited by examiner

Primary Examiner — Freda S Nunn

(74) *Attorney, Agent, or Firm* — Anderson Gorecki & Rouille LLP

(57) **CLAIM**

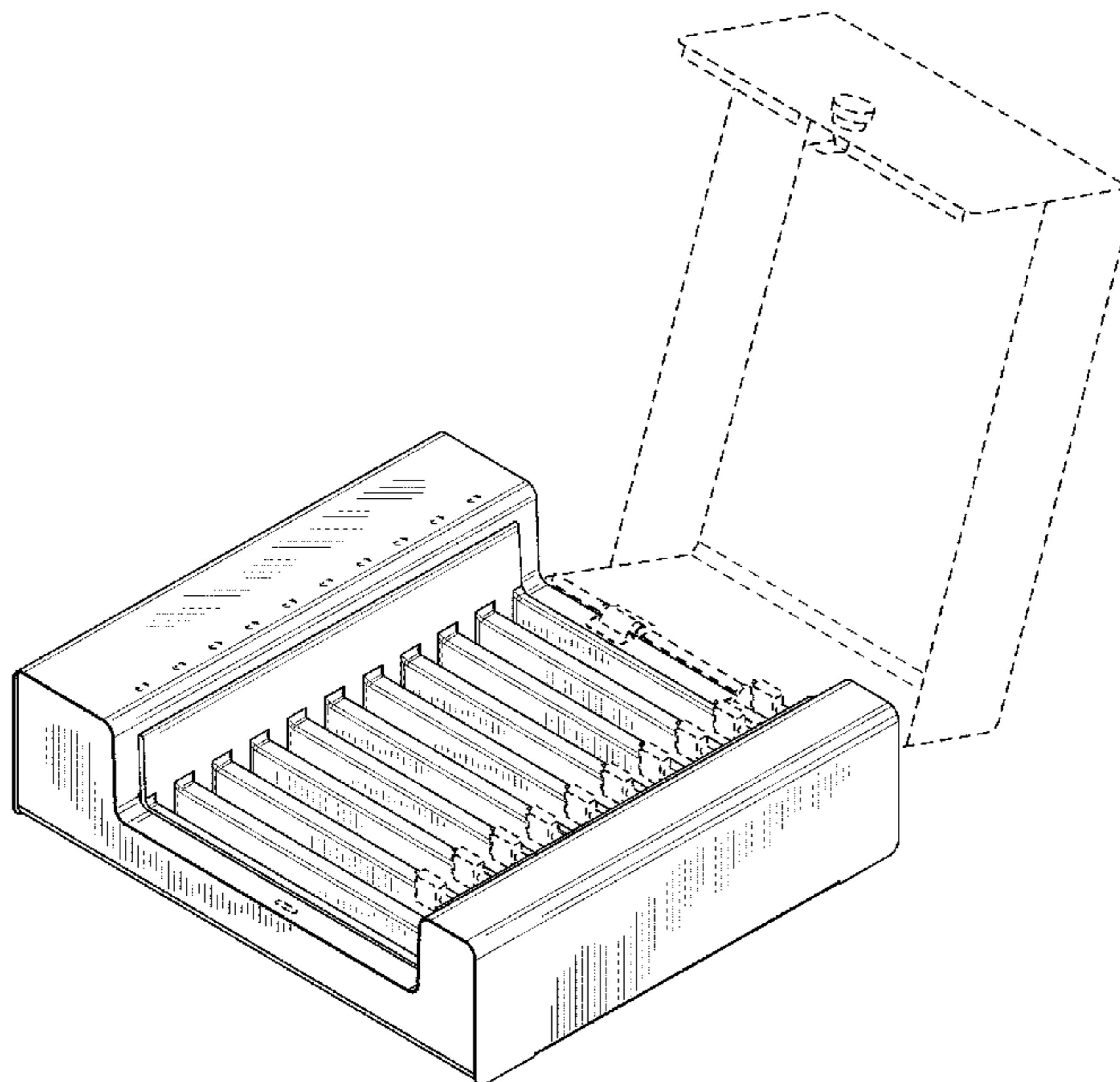
The ornamental design for a portable computing device storage tray, as shown and described.

DESCRIPTION

FIG. 1 is a front perspective view of a portable computing device storage tray embodying our novel design;
 FIG. 2 is a rear perspective view of the portable computing device storage tray of FIG. 1;
 FIG. 3 is a front view of the portable computing device storage tray of FIG. 1;
 FIG. 4 is a rear view of the portable computing device storage tray of FIG. 1;
 FIG. 5 is a top plan view of the portable computing device storage tray of FIG. 1;
 FIG. 6 is a bottom plan view of the portable computing device storage tray of FIG. 1;
 FIG. 7 is a right side view of the portable computing device storage tray of FIG. 1; and,
 FIG. 8 is a left side view of the portable computing device storage tray of FIG. 1.

The broken lines shown in the drawings are for illustrative purposes only and form no part of the claimed design.

1 Claim, 8 Drawing Sheets



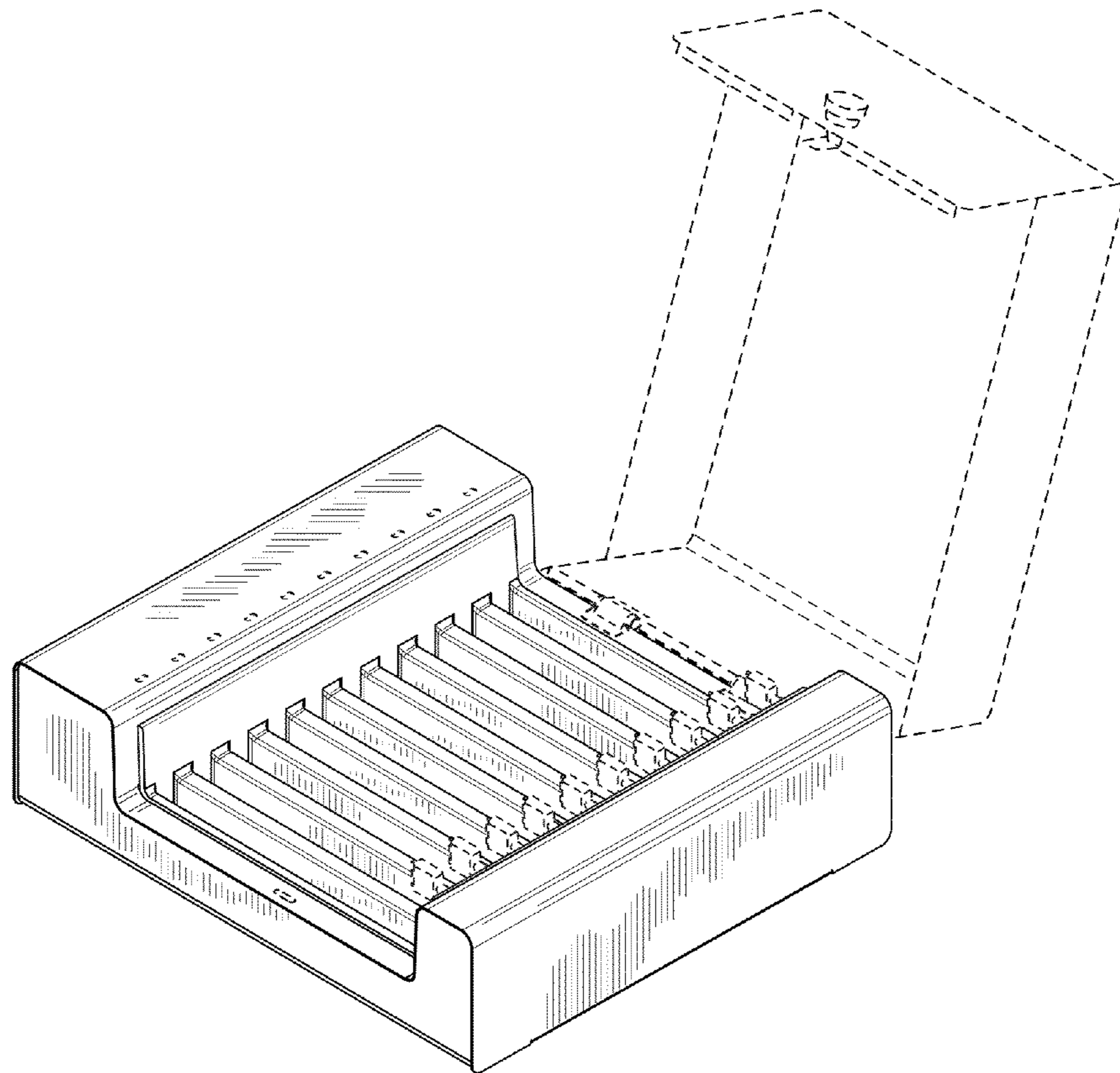


FIG. 1

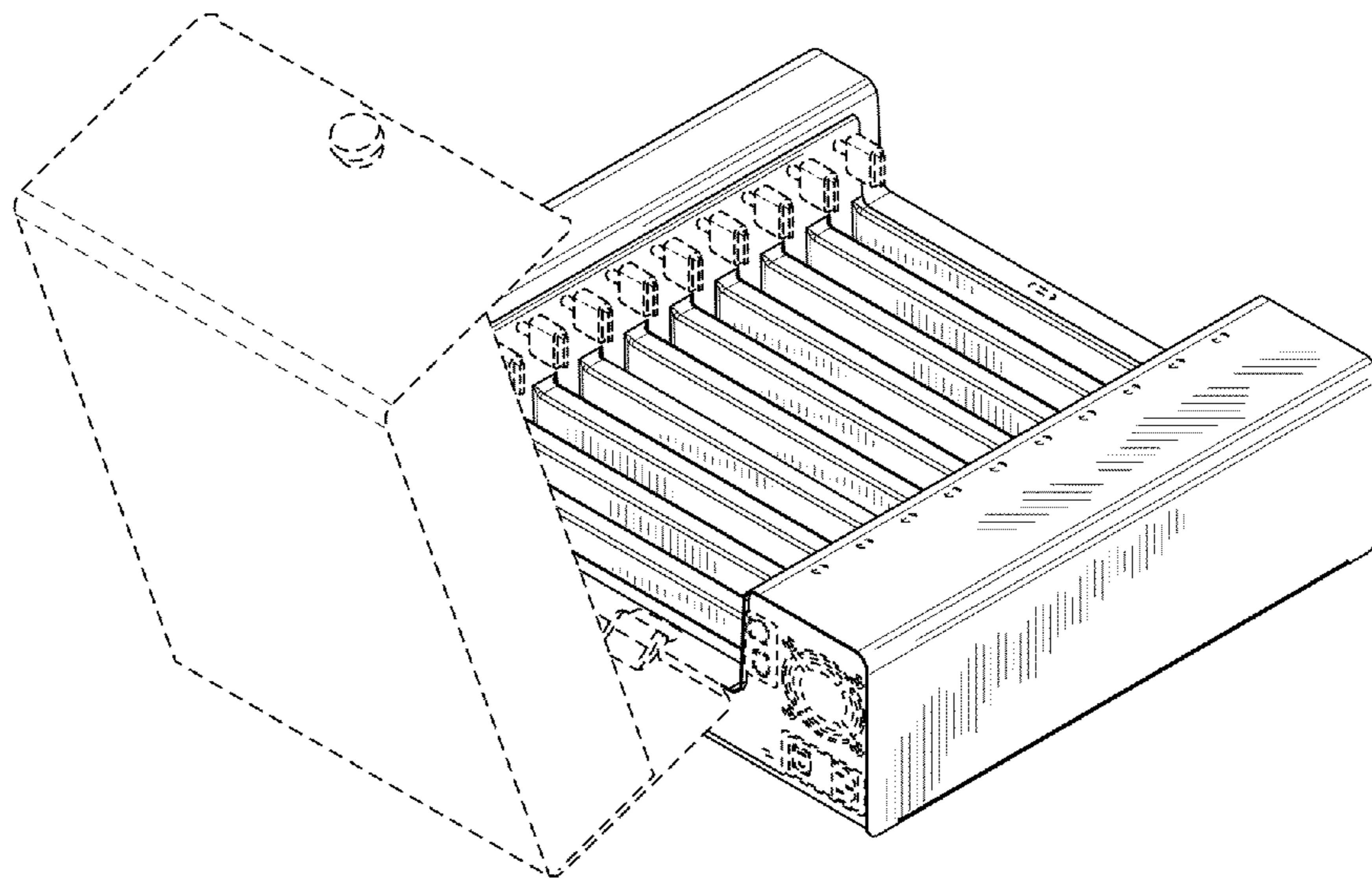


FIG. 2

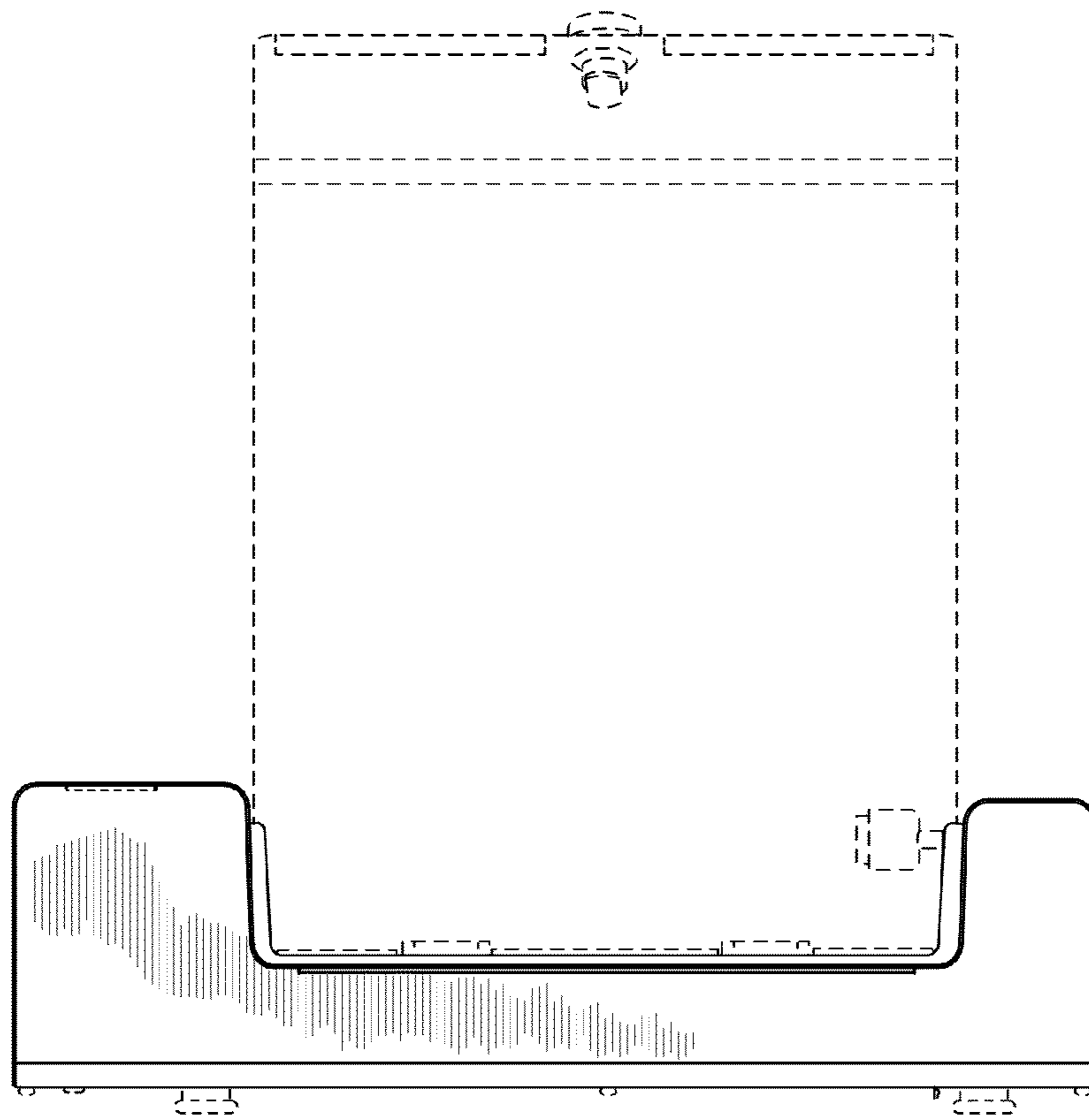


FIG. 3

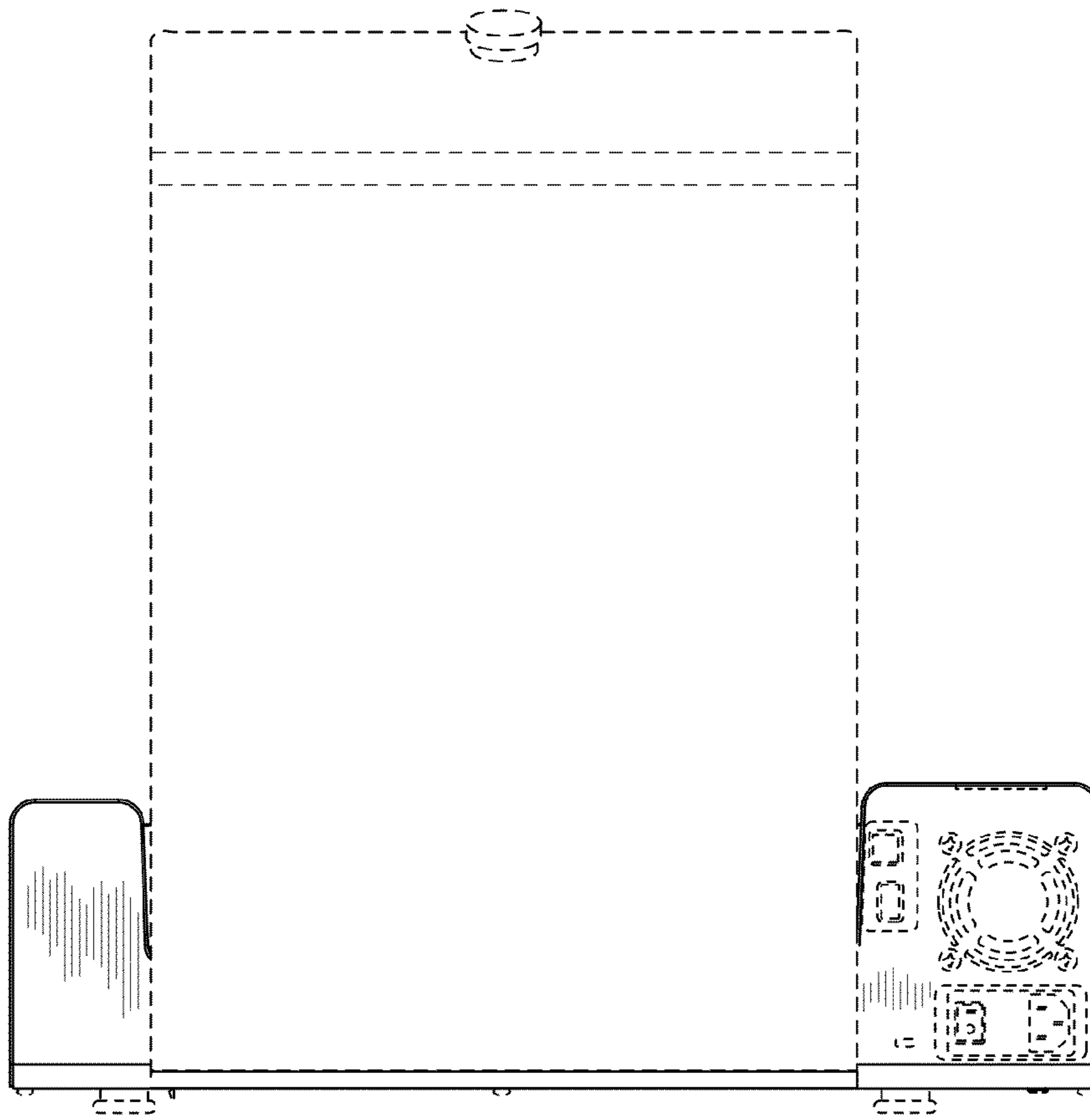


FIG. 4

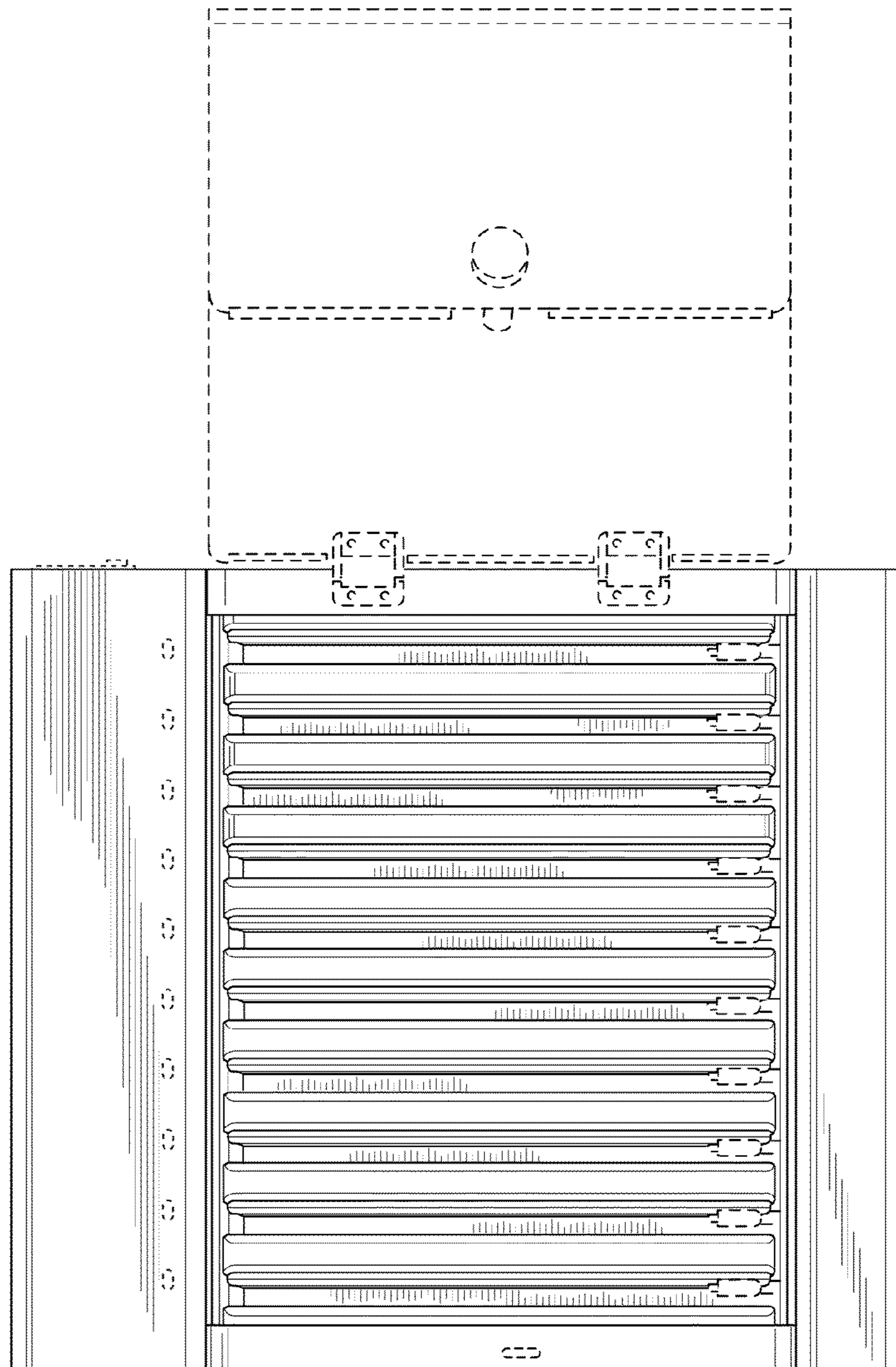


FIG. 5

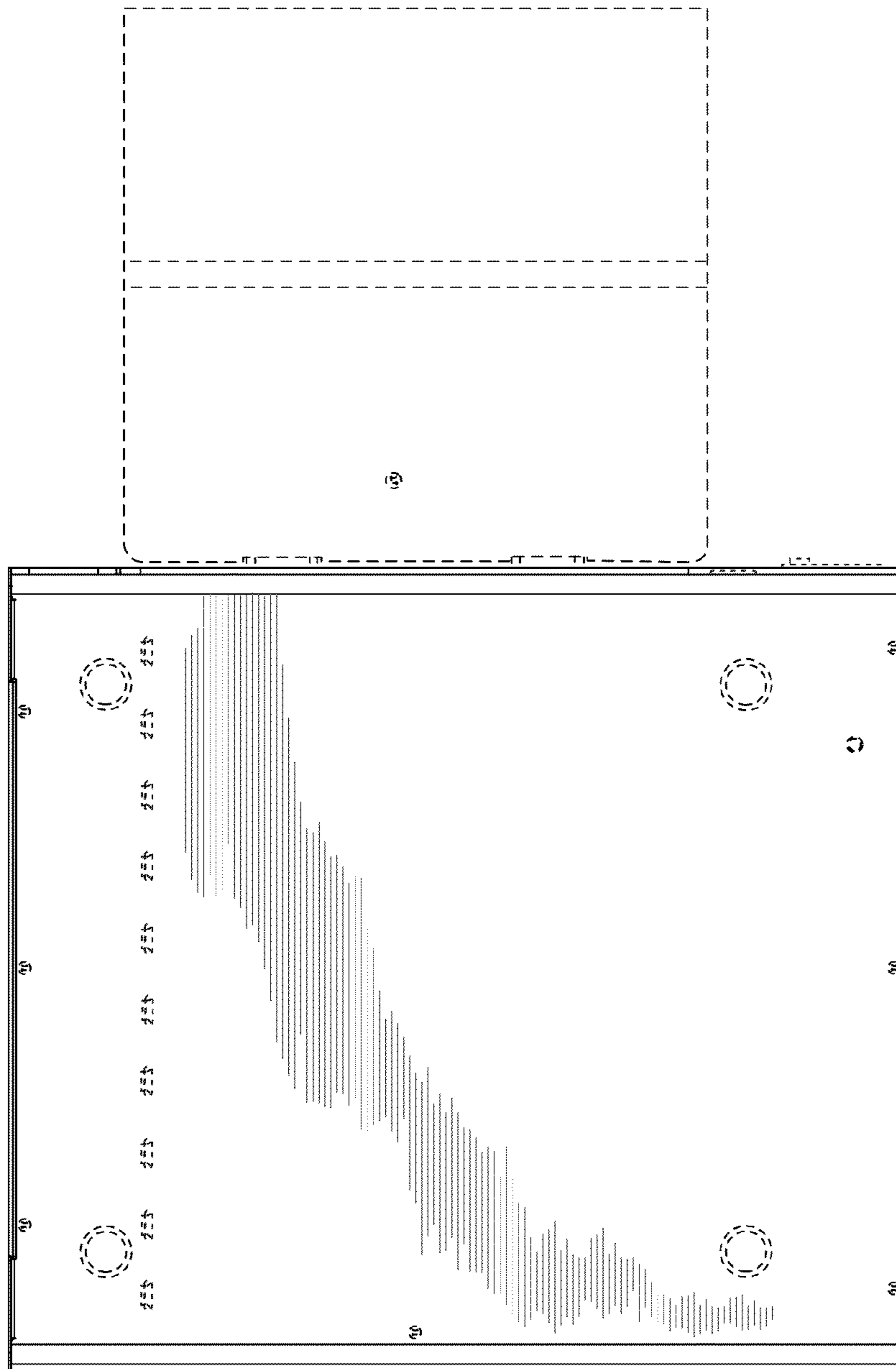


FIG. 6

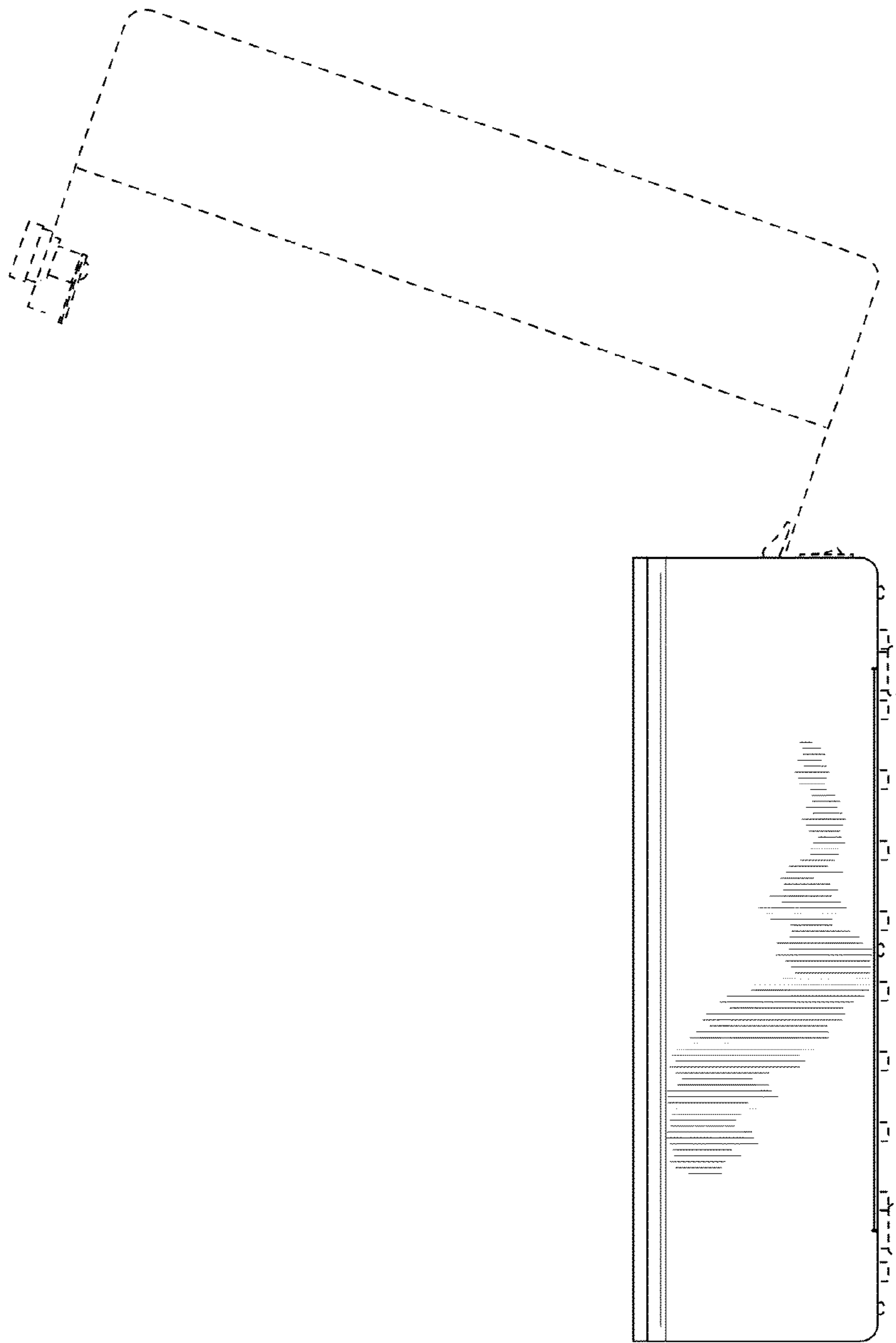


FIG. 7

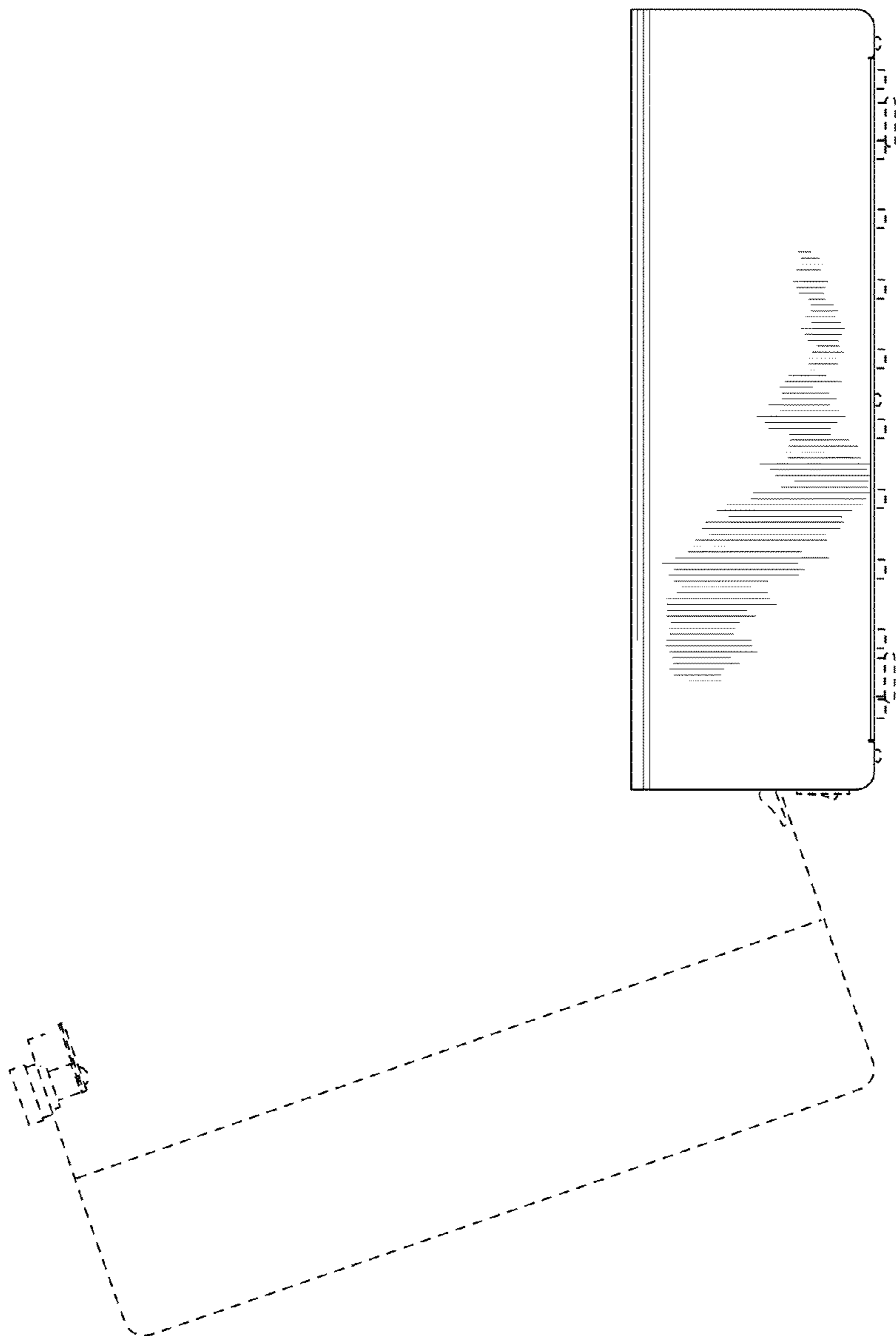


FIG. 8