



US00D675621S

(12) **United States Design Patent**
Fletcher et al.

(10) **Patent No.:** **US D675,621 S**

(45) **Date of Patent:** **** Feb. 5, 2013**

(54) **INTERACTIVE INPUT SYSTEM COMPONENT**

(75) Inventors: **Mark Andrew Fletcher**, Nepean (CA);
Alan Peter Boykiw, Calgary (CA);
Cheng Guo, Calgary (CA); **Paul Anthony Auger**, Osgoode (CA)

(73) Assignee: **SMART Technologies ULC** (CA)

(**) Term: **14 Years**

(21) Appl. No.: **29/408,920**

(22) Filed: **Dec. 19, 2011**

Related U.S. Application Data

(62) Division of application No. 29/363,312, filed on Jun. 8, 2010.

(51) **LOC (9) Cl.** **14-02**

(52) **U.S. Cl.** **D14/411**

(58) **Field of Classification Search** D14/411,
D14/431; D19/35, 36, 41-51, 54-58; D8/61;
401/52, 55, 88, 99, 100, 104-107, 131, 195-197,
401/202, 208, 209, 213, 192, 243; 708/107;
178/18.01, 18.03, 19.01; 345/173, 179; 700/94;
242/379

See application file for complete search history.

(56) **References Cited**

U.S. PATENT DOCUMENTS

1,974,667	A *	9/1934	Solinger	401/52
2,620,143	A *	12/1952	Armelin	242/379
D230,403	S *	2/1974	Englund	D14/431
D333,152	S *	2/1993	Anavil et al.	D19/55
D395,875	S *	7/1998	Aiken et al.	D14/411
D505,452	S *	5/2005	Crawford	D19/45
7,001,092	B1 *	2/2006	Varughese	401/88
D546,884	S *	7/2007	Ternovits	D19/51
7,377,709	B2 *	5/2008	Butler	401/195
2005/0105957	A1 *	5/2005	Bosworth Sr. et al.	401/196
2009/0142126	A1 *	6/2009	Dickover et al.	401/131

* cited by examiner

Primary Examiner — Freda S Nunn

(74) *Attorney, Agent, or Firm* — Katten Muchin Rosenman LLP

(57) **CLAIM**

The ornamental design for an interactive input system component, as shown and described.

DESCRIPTION

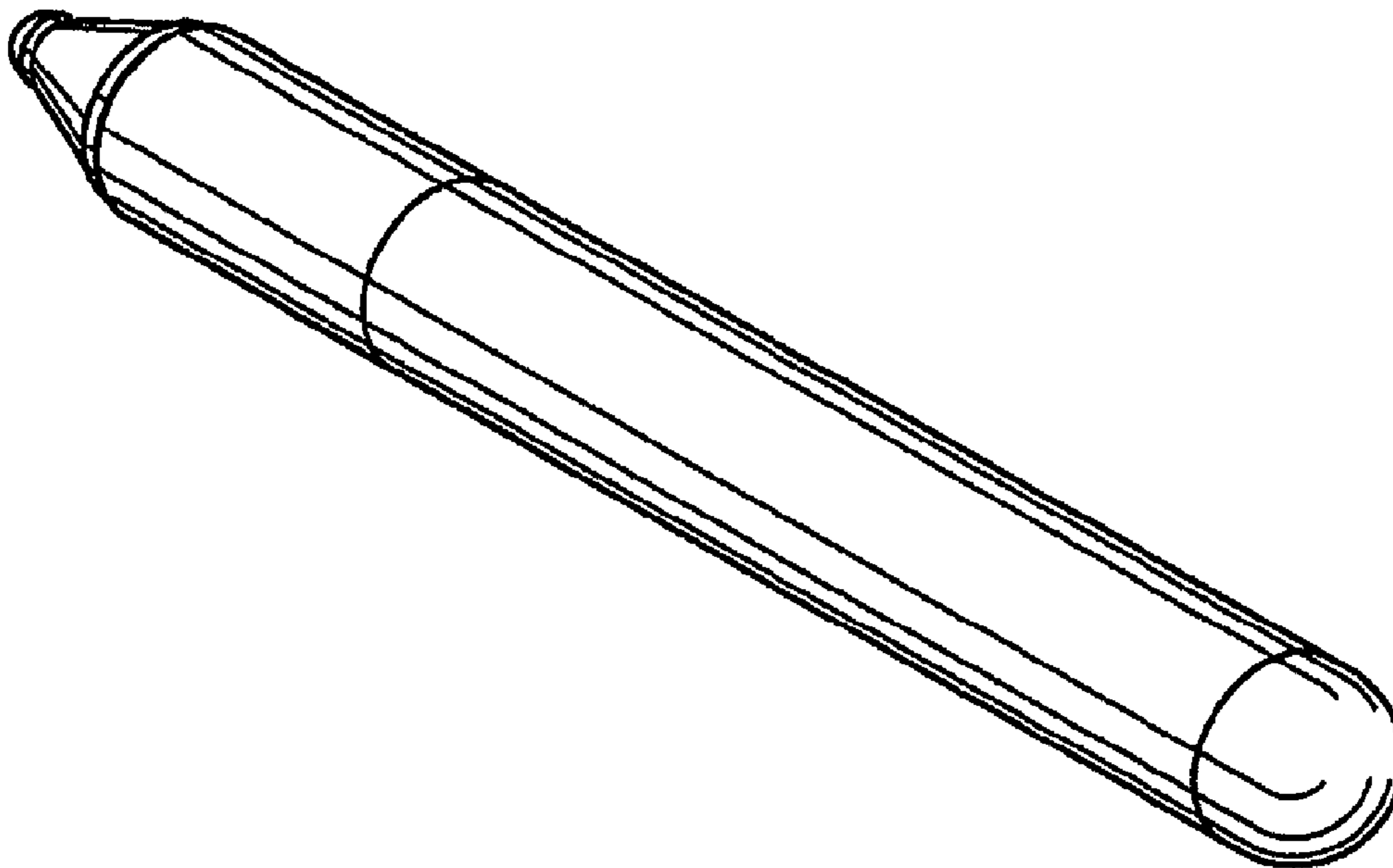
FIG. 1 is a rear perspective view of one embodiment of the interactive input system component in accordance with our design;

FIG. 2 is a side view of the interactive input system component of FIG. 1;

FIG. 3 is a front view of the interactive input system component of FIG. 1; and,

FIG. 4 is a rear view of the interactive input system component of FIG. 1.

1 Claim, 1 Drawing Sheet



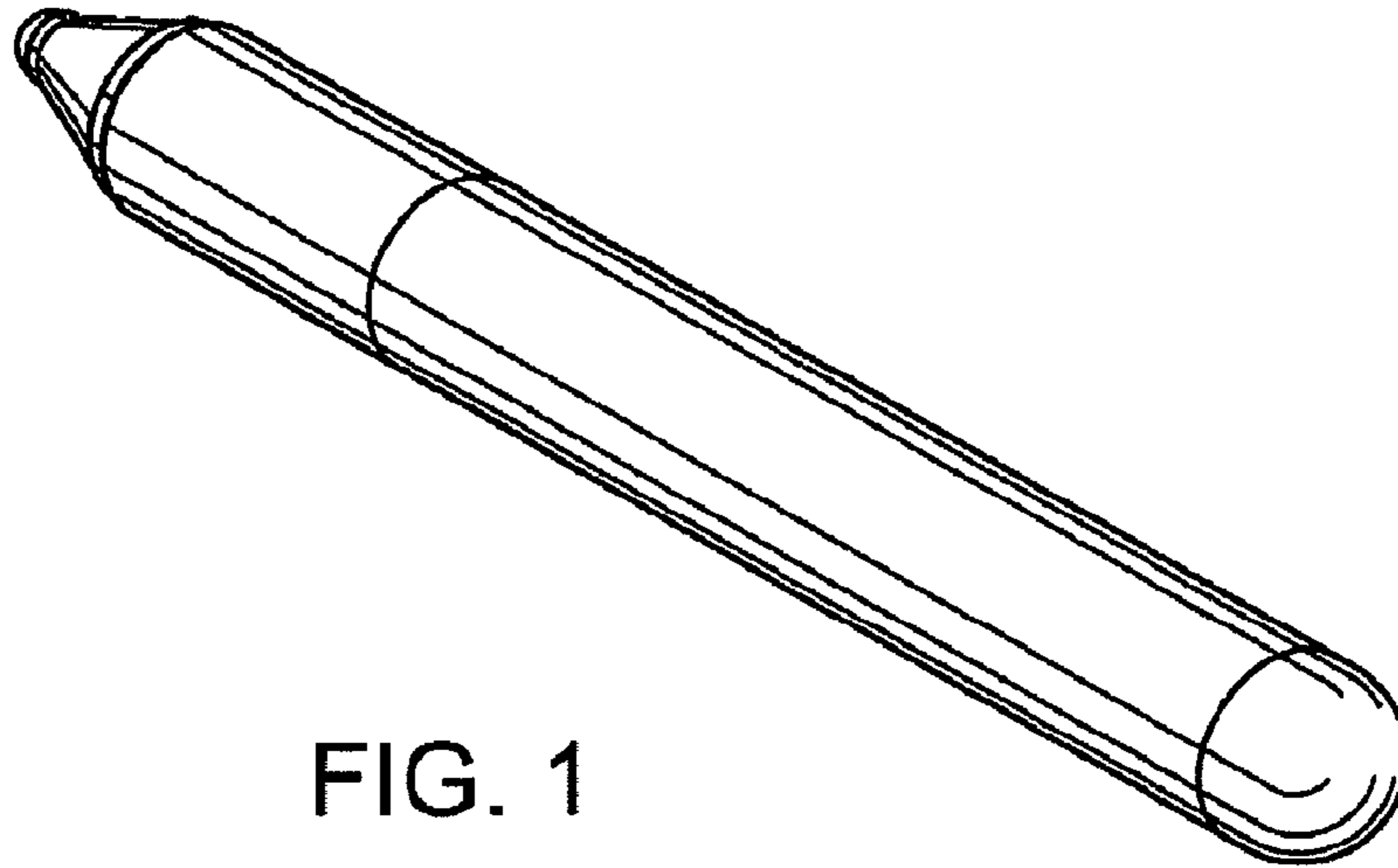


FIG. 1

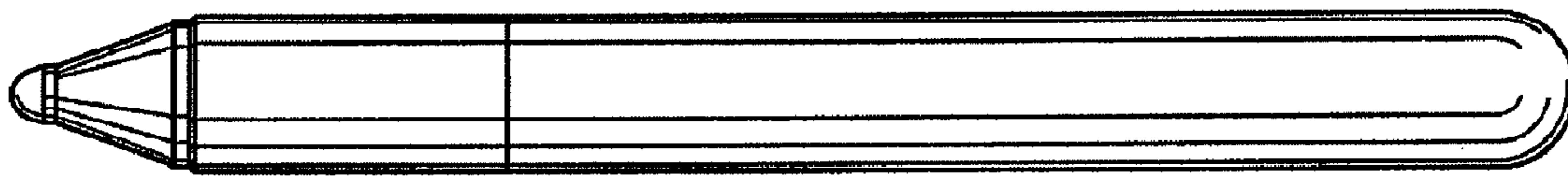


FIG. 2

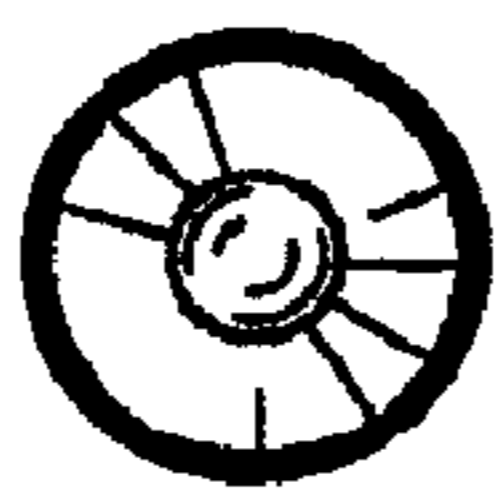


FIG. 3

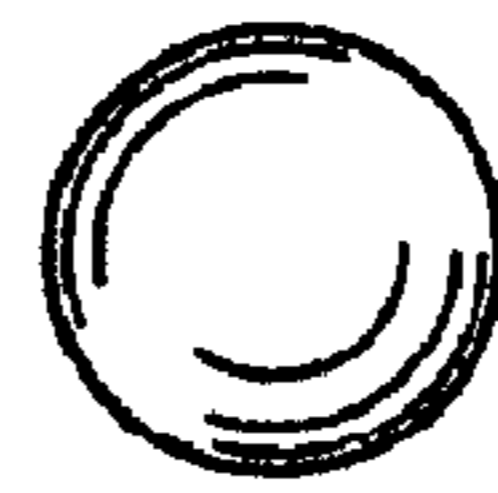


FIG. 4