

US00D675620S

(12) **United States Design Patent**
Smith et al.

(10) **Patent No.:** **US D675,620 S**
(45) **Date of Patent:** **** Feb. 5, 2013**

(54) **KEYBOARD**

(75) Inventors: **Dustin Jonathan Smith**, Kitchener (CA); **Donald Somerset McKenzie**, Waterloo (CA); **Kevin Roy Sugden**, Toronto (CA); **Shannon Tyler Moore**, Waterloo (CA); **Anders Fahrendorff**, Ottawa (CA); **Jason Tyler Grffin**, Kitchener (CA); **Laura Mahan**, Kanata (CA)

(73) Assignee: **Research In Motion Limited**, Waterloo, Ontario (CA)

(**) Term: **14 Years**

(21) Appl. No.: **29/423,262**

(22) Filed: **May 30, 2012**

Related U.S. Application Data

(63) Continuation of application No. 29/414,275, filed on Feb. 27, 2012.

(51) **LOC (9) Cl.** **14-02**

(52) **U.S. Cl.** **D14/391**

(58) **Field of Classification Search** D14/240, D14/138, 318, 341, 391-399, 443, 455, 456; D18/1, 2, 7, 11; 178/17 A, 17 C; 200/5 A, 200/5 R, 6 A, 6 R; 235/145 A, 145 R; 341/20-23; 345/156, 160, 168, 169, 173; 361/679.08, 361/679.09, 679.11-679.19; 400/484-489, 400/492, 472

See application file for complete search history.

(56) **References Cited**

U.S. PATENT DOCUMENTS

D456,025	S	*	4/2002	Komuta et al.	D14/439
D485,266	S	*	1/2004	Wilson et al.	D14/341
D601,148	S	*	9/2009	Akita	D14/391
D612,388	S	*	3/2010	Chan et al.	D14/456
D620,909	S	*	8/2010	Lee et al.	D14/138 AD
D645,860	S	*	9/2011	Andre et al.	D14/318
2009/0111508	A1	*	4/2009	Yeh et al.	455/552.1

* cited by examiner

Primary Examiner — Freda S Nunn

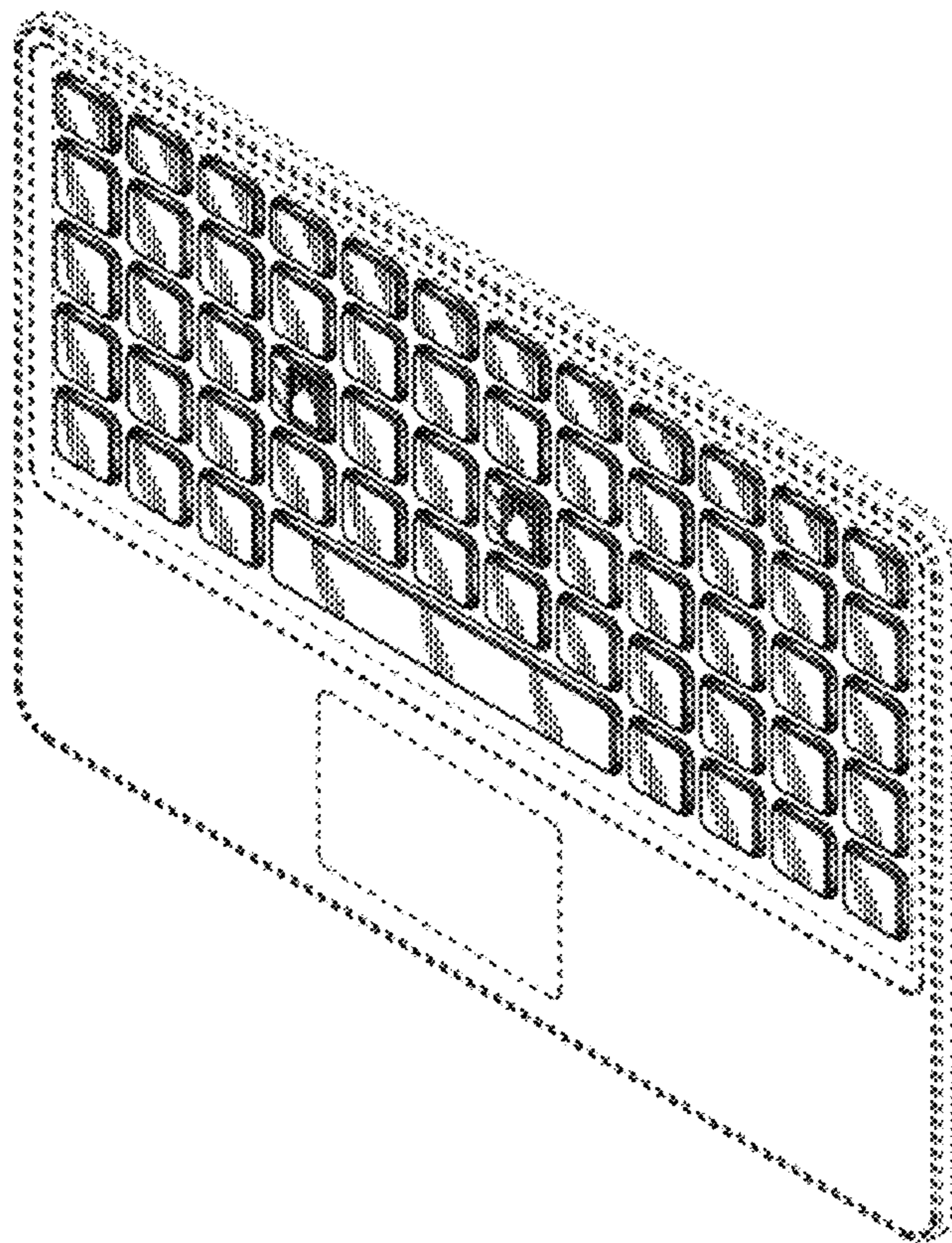
(57) **CLAIM**

We claim the ornamental design for a keyboard, as shown and described.

DESCRIPTION

FIG. 1 is a front perspective view of a keyboard; and, FIG. 2 is a front elevation view of the keyboard. The broken lines shown immediately surrounding the keys represent the bounds of the claimed design, while all other lines are directed to environment and form no part of the claimed design.

1 Claim, 2 Drawing Sheets



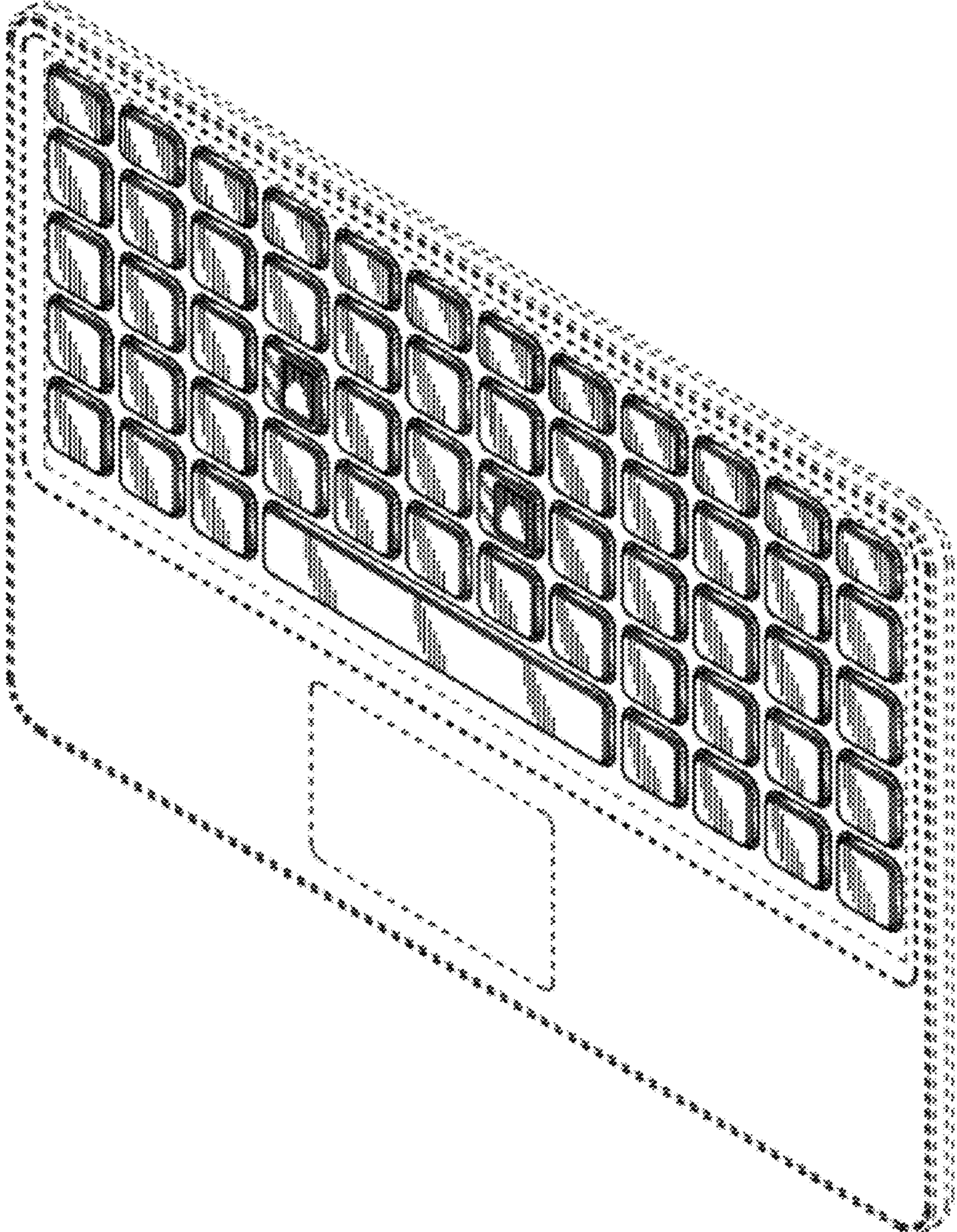


FIG.1

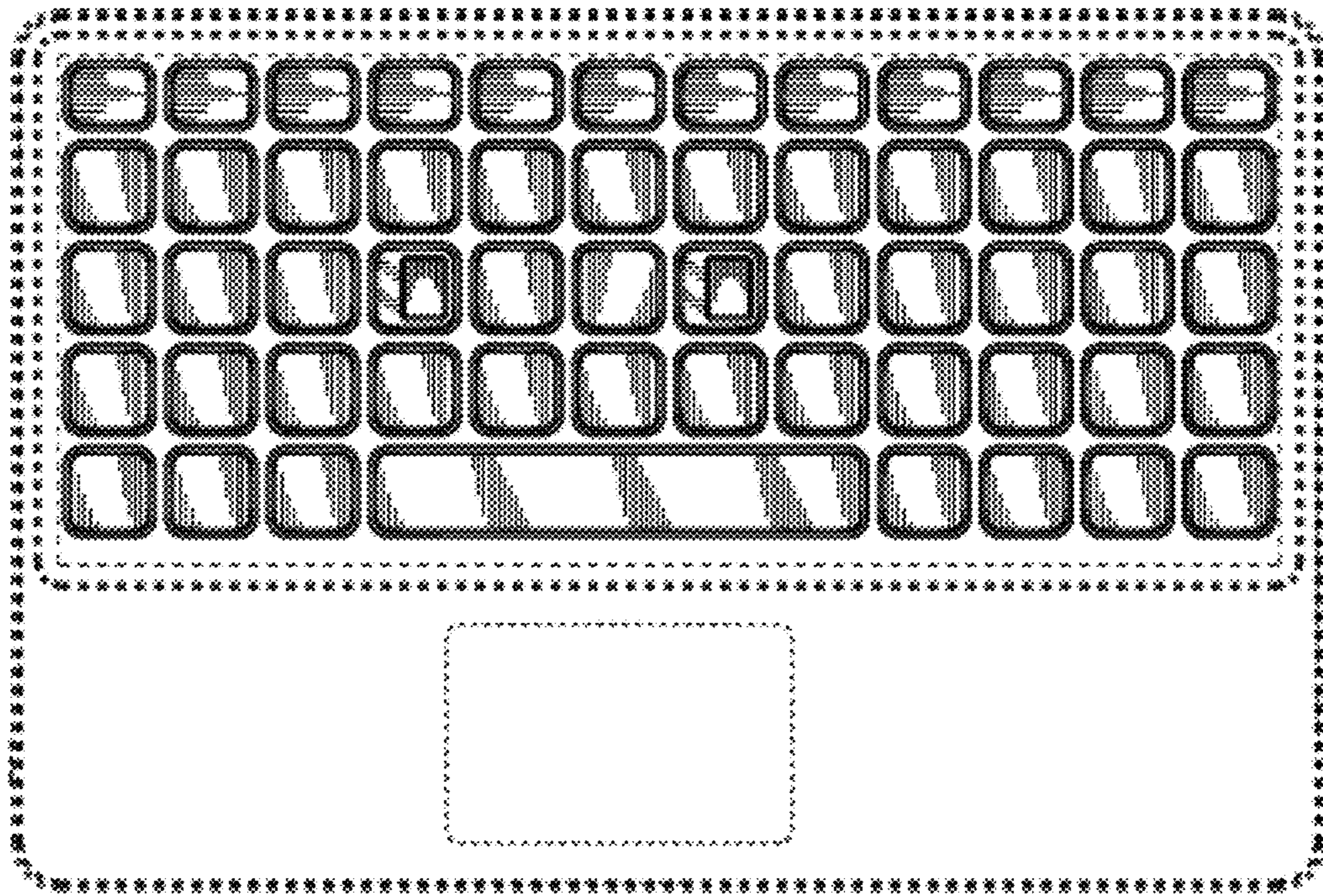


FIG.2