



US00D675619S

(12) **United States Design Patent**
Zhong

(10) **Patent No.:** **US D675,619 S**

(45) **Date of Patent:** **** Feb. 5, 2013**

(54) **KEYBOARD**

(75) Inventor: **Renkang Zhong**, Shenzhen (CN)

(73) Assignees: **Renkang Zhong**, Shenzhen (CN);
Shenzhen Paoluy Silicone Technology Co., Ltd

(**) Term: **14 Years**

(21) Appl. No.: **29/409,918**

(22) Filed: **Dec. 30, 2011**

(30) **Foreign Application Priority Data**

Sep. 30, 2011 (CN) 2011 3 0349469

(51) **LOC (9) Cl.** **14-02**

(52) **U.S. Cl.** **D14/391; D14/315**

(58) **Field of Classification Search** D14/315-327,
D14/391-399, 455; D18/1, 2, 7, 11; 235/145 A,
235/145 R; 341/22, 23; 345/104, 156, 168,
345/169, 173; 361/679.2, 679.08, 679.09,
361/679.11, 679.12, 679.17, 679.26, 679.27
See application file for complete search history.

(56) **References Cited**

U.S. PATENT DOCUMENTS

5,267,123 A * 11/1993 Boothroyd et al. 361/679.09
5,887,723 A * 3/1999 Myles et al. 206/760
D409,594 S * 5/1999 Lepack D14/392

6,829,140 B2 * 12/2004 Shimano et al. 361/679.09
D545,821 S * 7/2007 Eroma et al. D14/393
2003/0048595 A1 * 3/2003 Hsieh et al. 361/680

* cited by examiner

Primary Examiner — Freda S Nunn

(57) **CLAIM**

The ornamental design for a keyboard, as shown and described.

DESCRIPTION

FIG. 1 is a perspective view of a keyboard in a closing condition showing my new design;

FIG. 2 is a front view of the keyboard thereof;

FIG. 3 is a back view of the keyboard thereof;

FIG. 4 is a left view of the keyboard thereof;

FIG. 5 is a right view of the keyboard thereof;

FIG. 6 is a top view of the keyboard thereof; and

FIG. 7 is a bottom view of the keyboard thereof.

FIG. 8 is a front view of a keyboard in a first opening condition showing my new design;

FIG. 9 is a back view of the keyboard thereof;

FIG. 10 is a right view of the keyboard thereof;

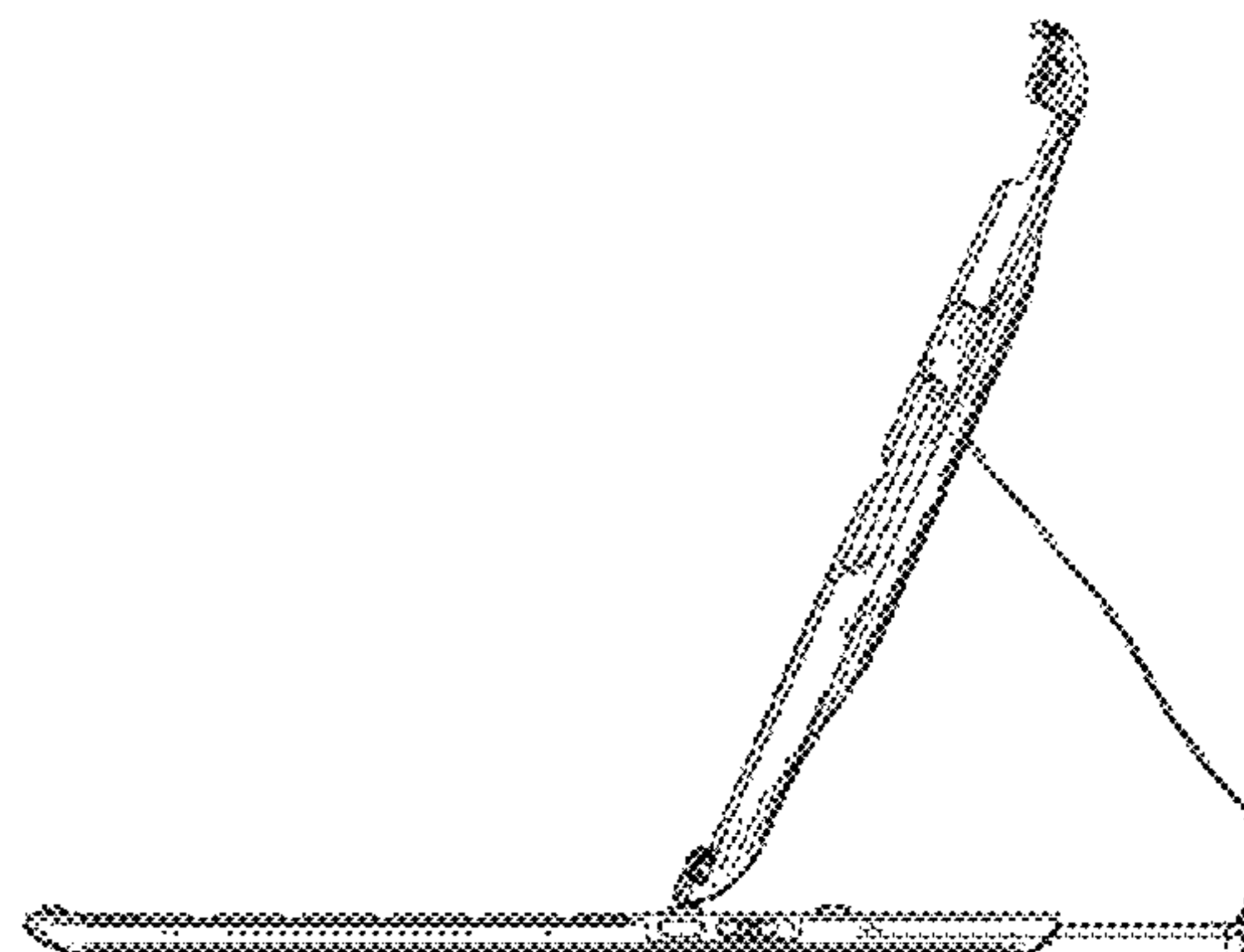
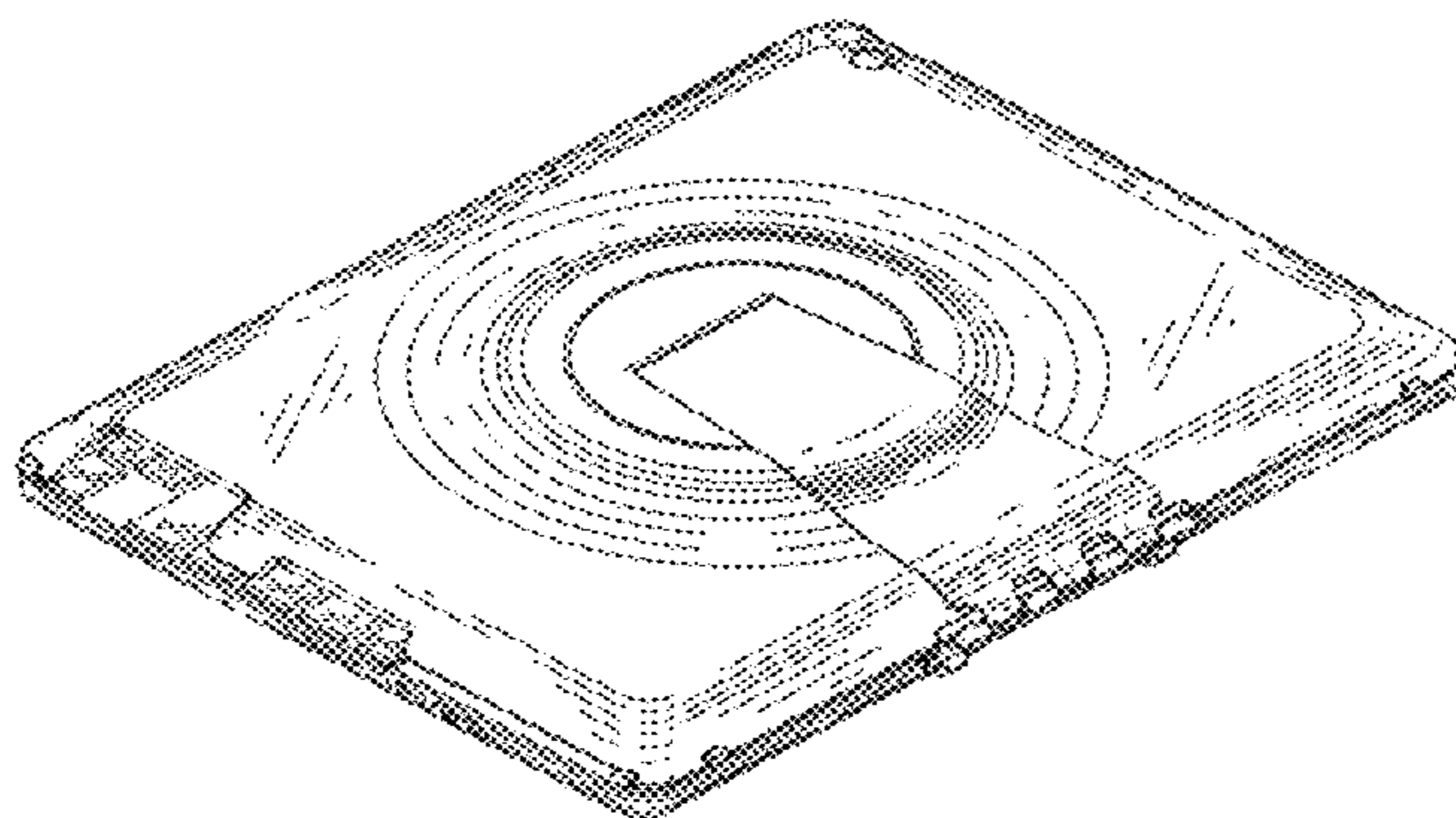
FIG. 11 is a top view of the keyboard thereof; and

FIG. 12 is a bottom view of the keyboard thereof.

FIG. 13 is a front view of a keyboard in a second opening condition showing my new design; and,

FIG. 14 is a back view of the keyboard thereof.

1 Claim, 11 Drawing Sheets



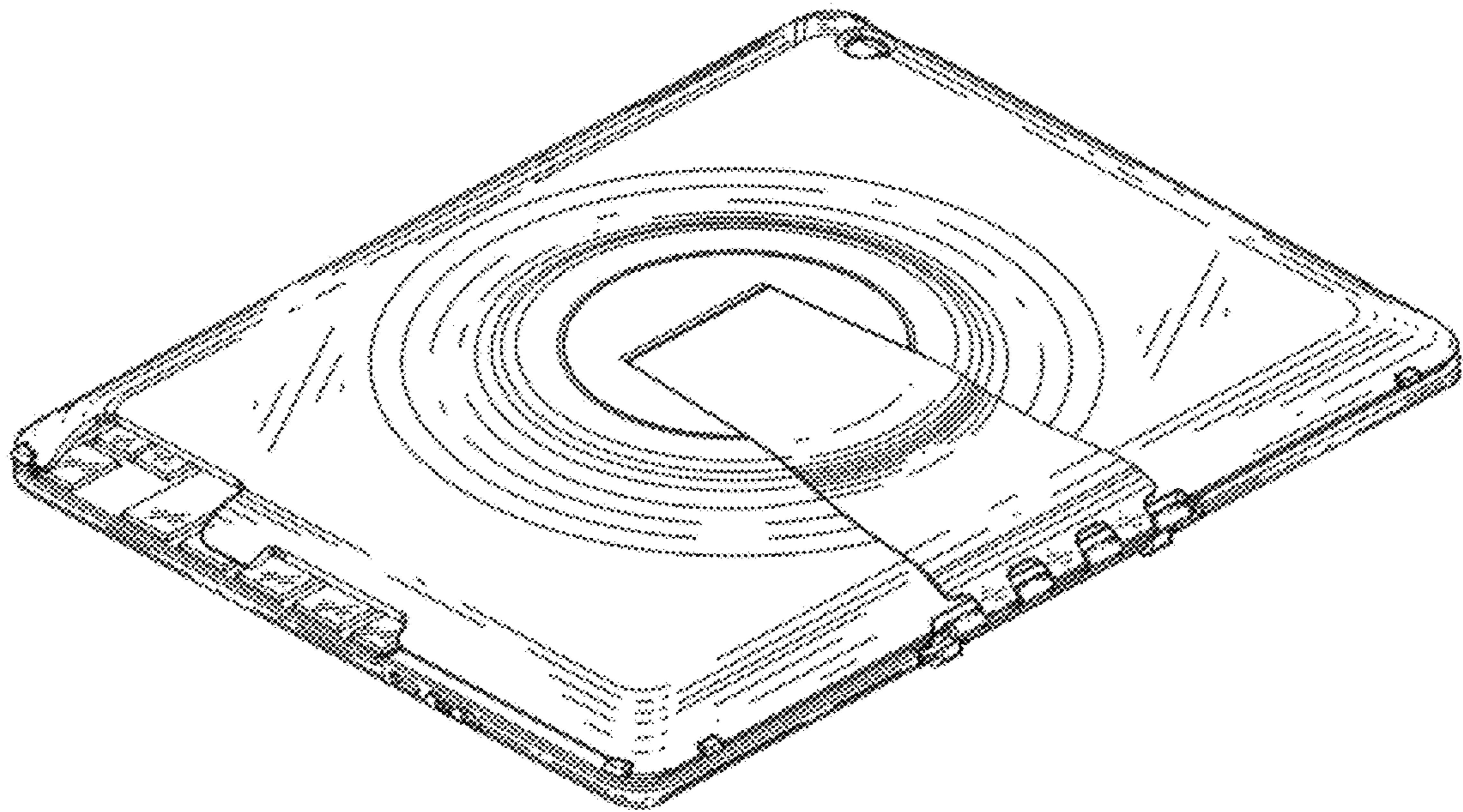


FIG. 1

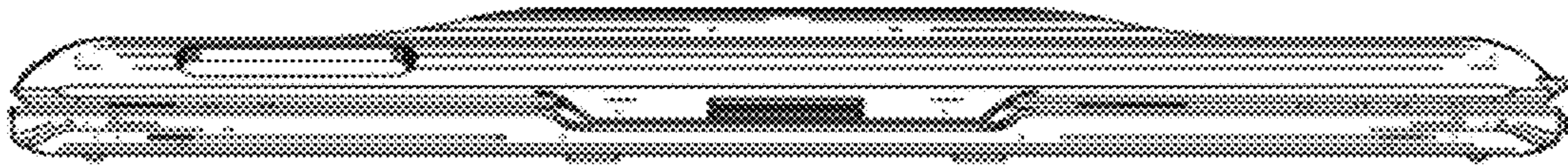


FIG. 2



FIG. 3

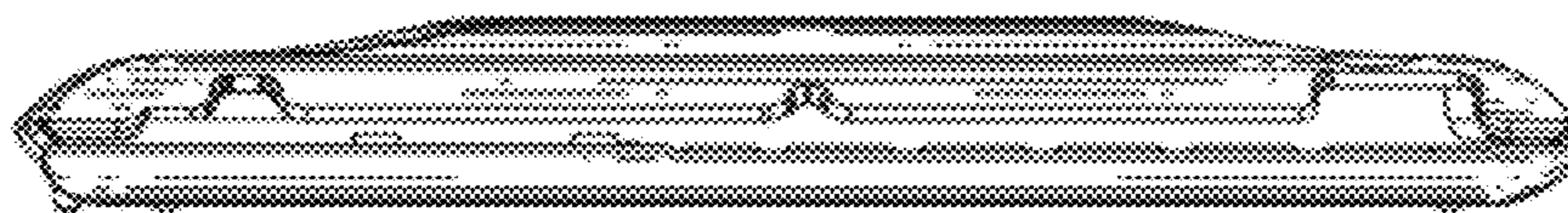


FIG. 4



FIG. 5

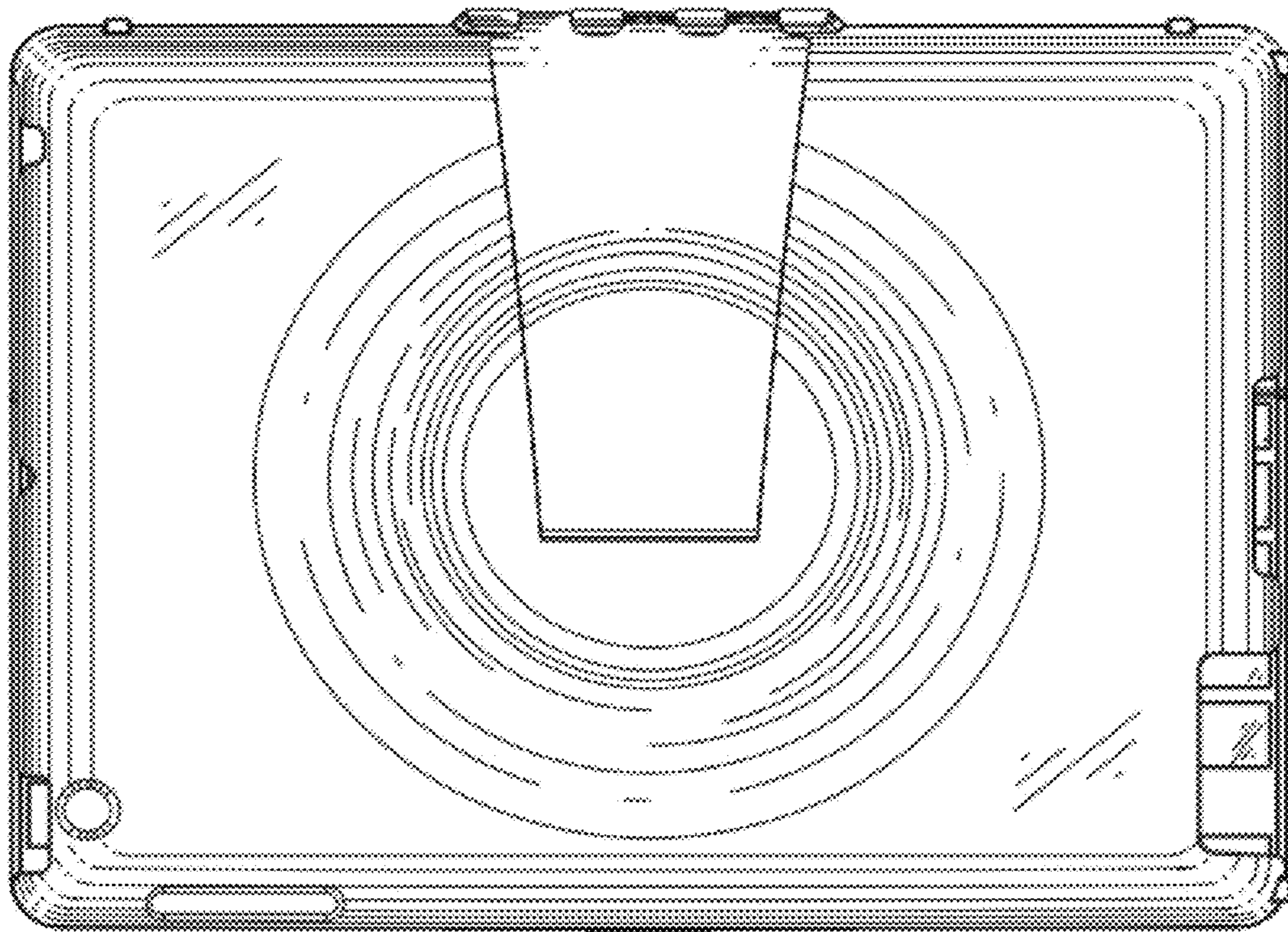


FIG. 6

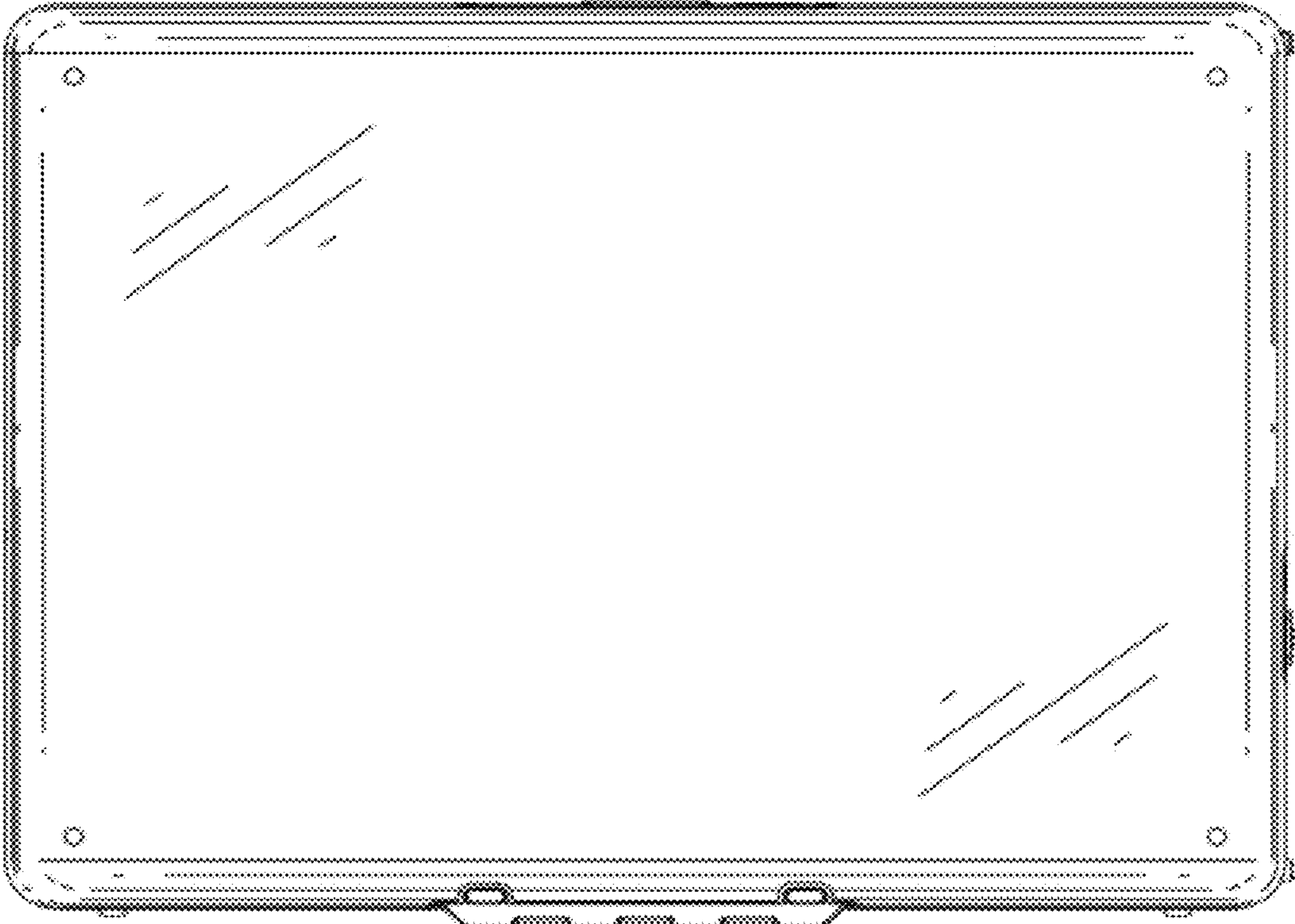


FIG. 7

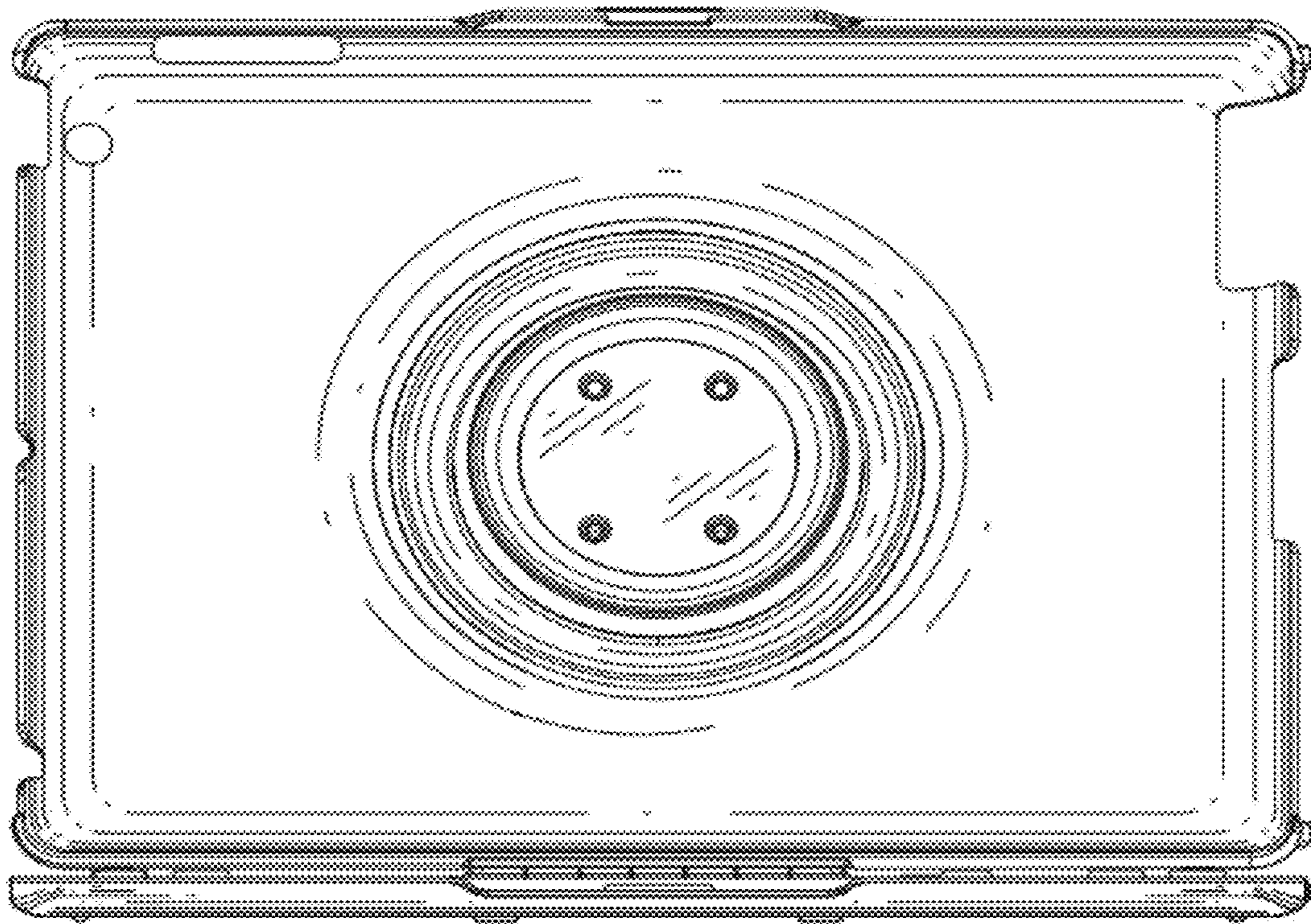


FIG. 8

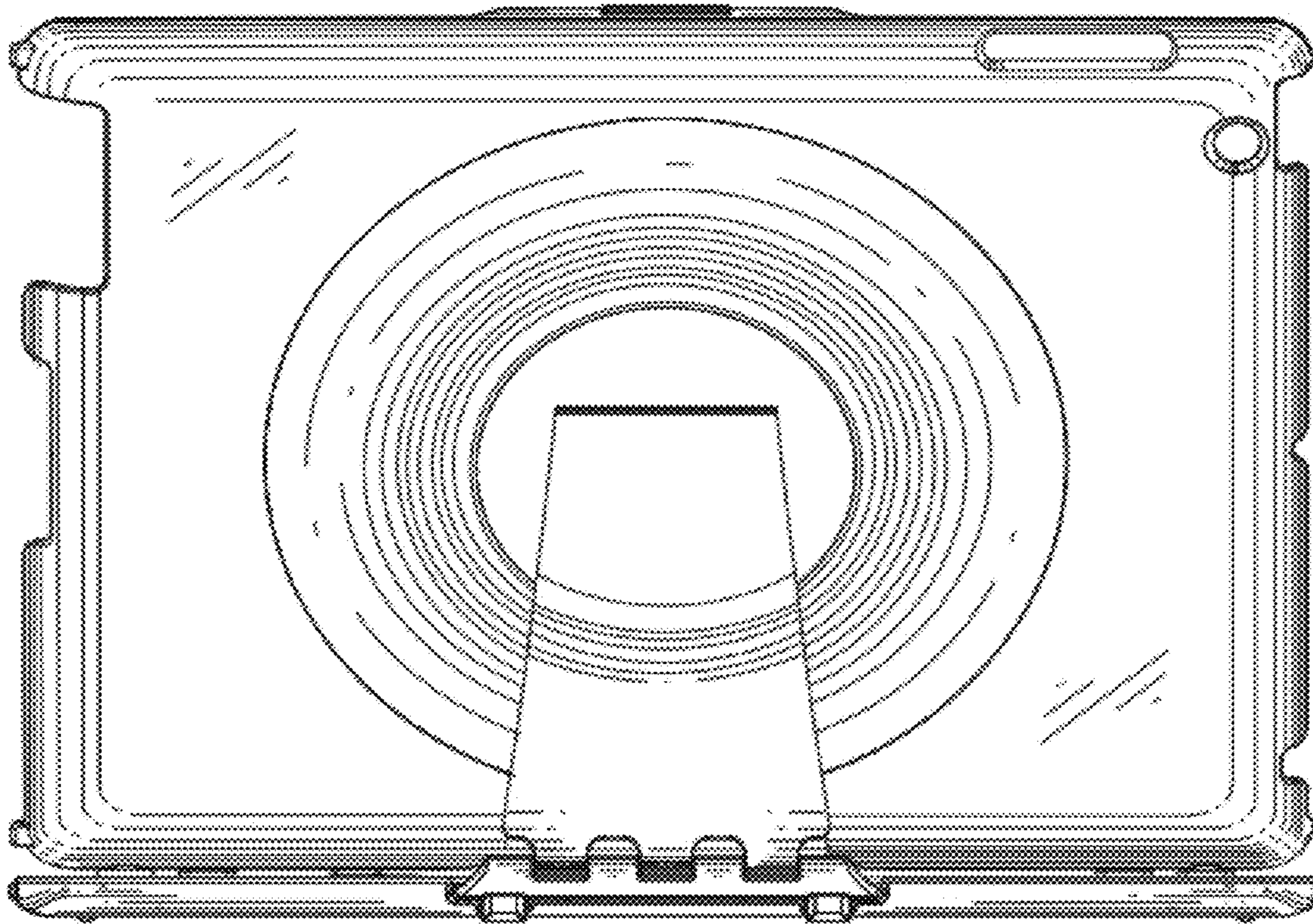


FIG. 9

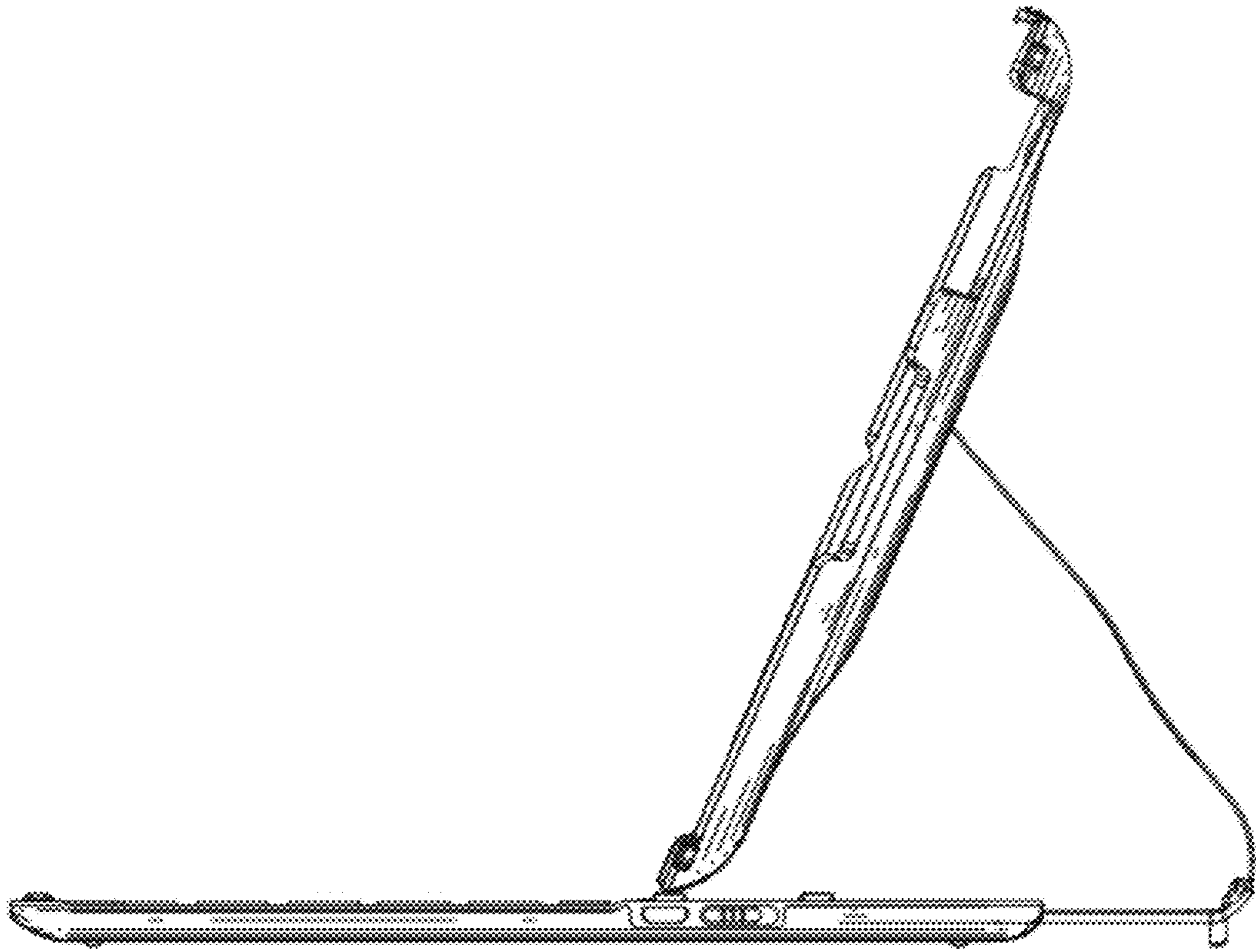


FIG. 10

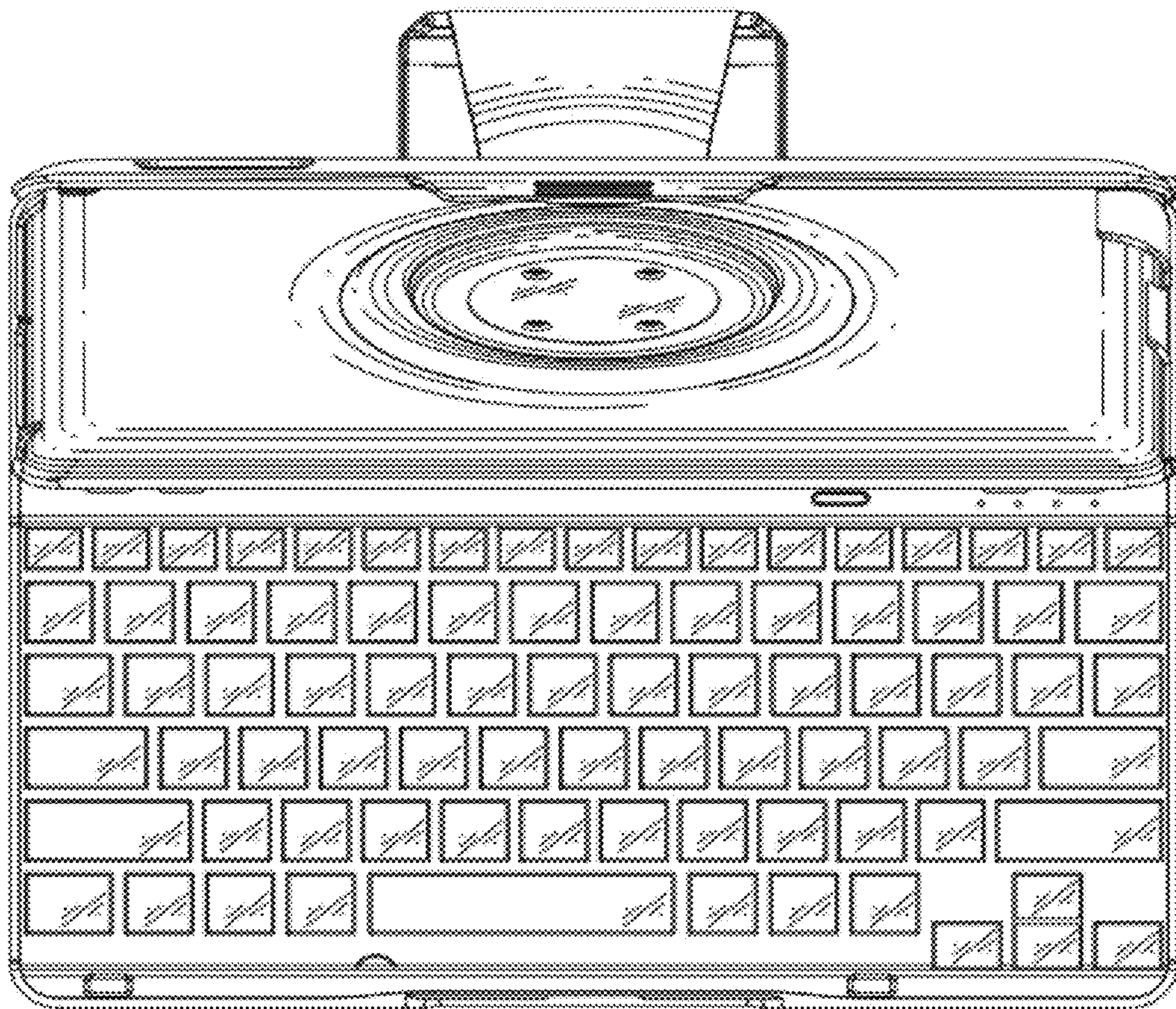


FIG. 11

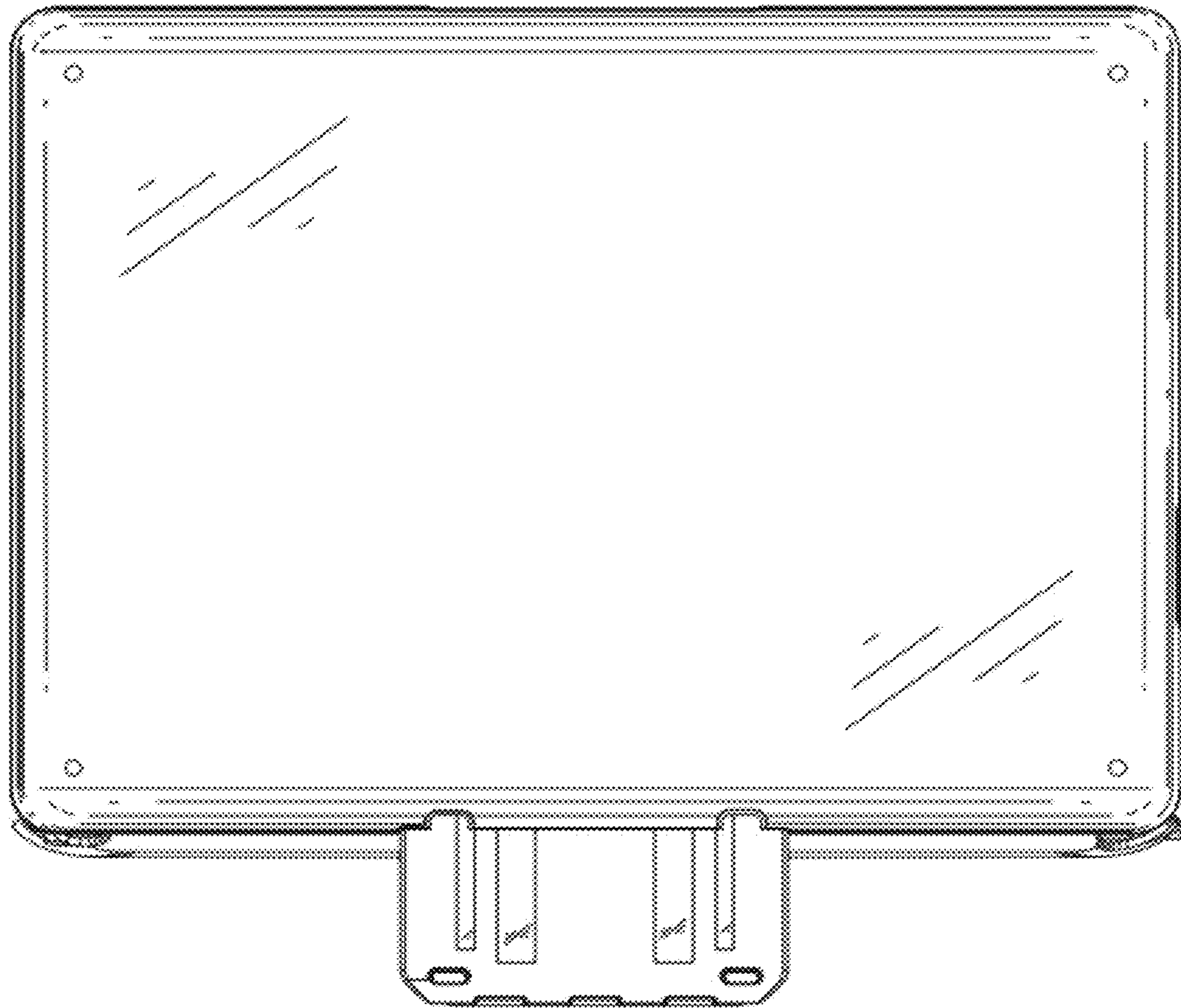


FIG. 12

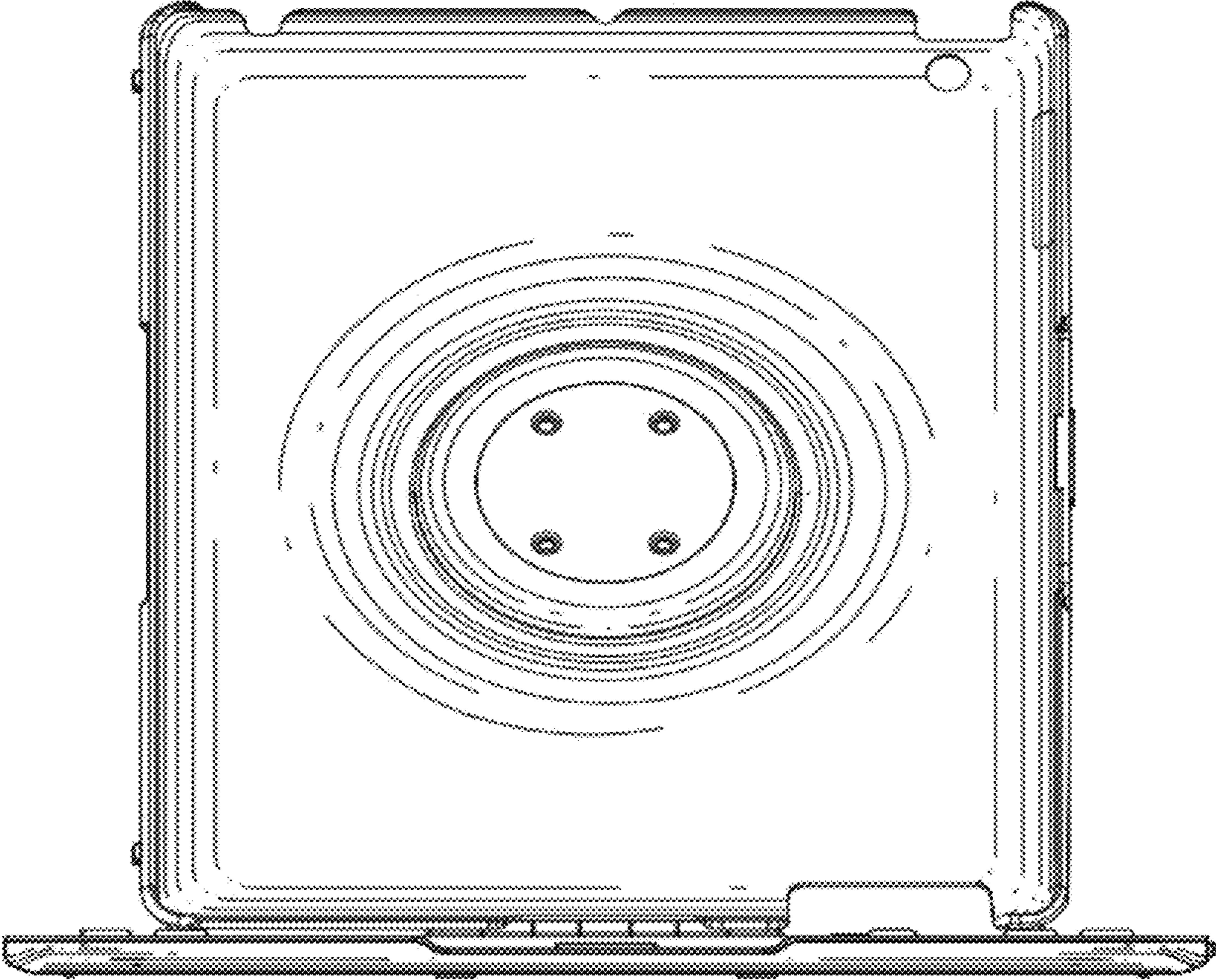


FIG. 13

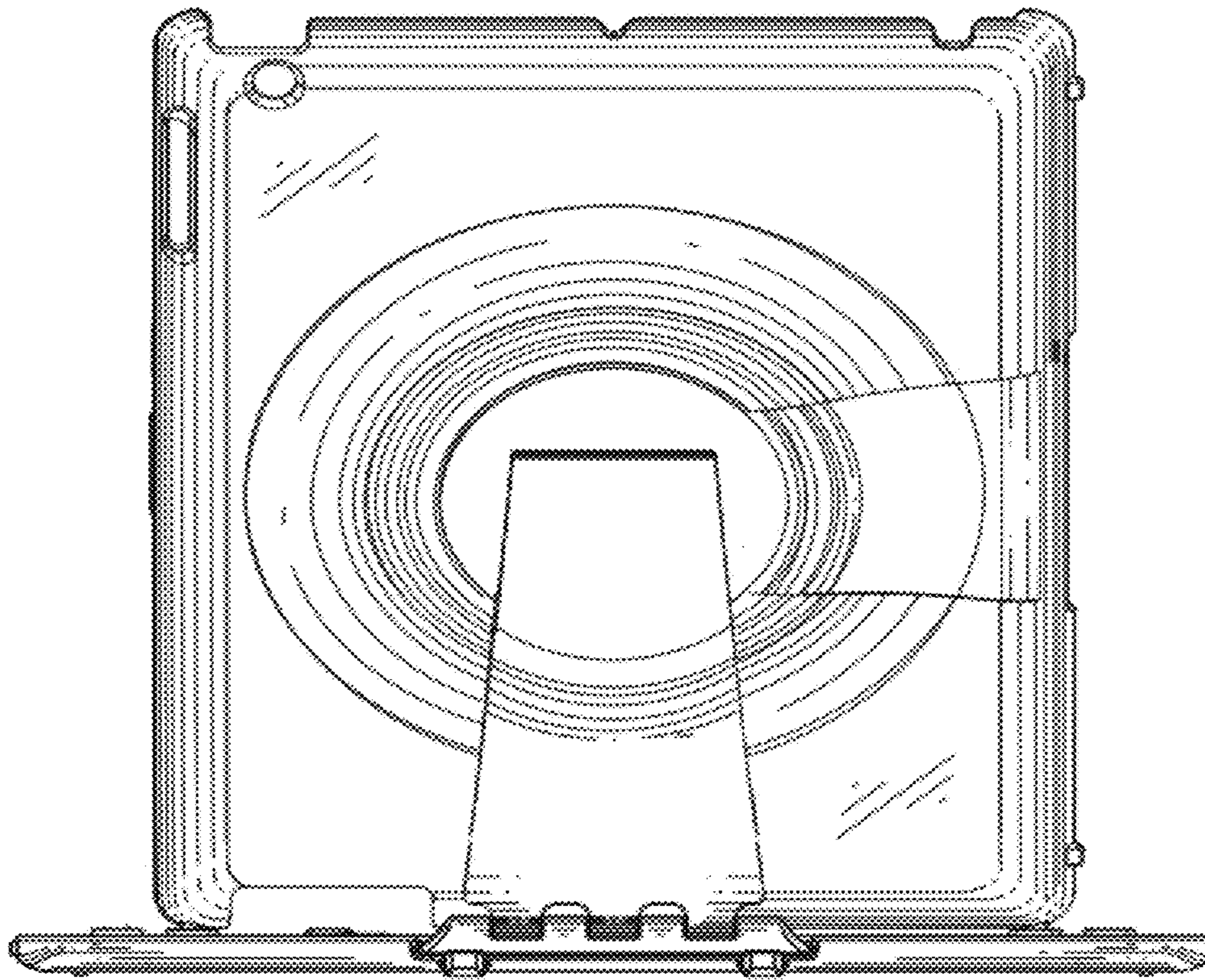


FIG. 14