



US00D675618S

(12) **United States Design Patent**
Behar et al.

(10) **Patent No.:** **US D675,618 S**

(45) **Date of Patent:** **** Feb. 5, 2013**

(54) **READER FOR MOBILE DEVICE**

(75) Inventors: **Yves Behar**, San Francisco, CA (US);
Noah Murphy-Reinhertz, San Francisco, CA (US)

(73) Assignee: **Ebay Inc.**, San Jose, CA (US)

(**) Term: **14 Years**

(21) Appl. No.: **29/415,119**

(22) Filed: **Mar. 7, 2012**

(51) **LOC (9) Cl.** **14-02**

(52) **U.S. Cl.** **D14/385**

(58) **Field of Classification Search** D14/356-358,
D14/383-385, 420, 426, 427, 432-439, 447,
D14/453, 454, 217, 253, 299; D13/107,
D13/108, 133, 146, 147, 152, 154, 156, 158,
D13/162, 162.1, 168, 173, 177, 102; 235/441,
235/451, 492, 380, 439, 375; 361/679.31,
361/600, 679.01, 679.02

See application file for complete search history.

(56) **References Cited**

U.S. PATENT DOCUMENTS

D415,131 S * 10/1999 Chang D14/433
D447,482 S * 9/2001 Lin D14/435.1

D467,921 S * 12/2002 Lin D14/385
D491,939 S * 6/2004 Lin et al. D14/480.1
D535,295 S * 1/2007 Leibenguth D14/385
D646,273 S * 10/2011 Daniel D14/385

* cited by examiner

Primary Examiner — Austin Murphy

(74) *Attorney, Agent, or Firm* — Haynes and Boone, LLP

(57) **CLAIM**

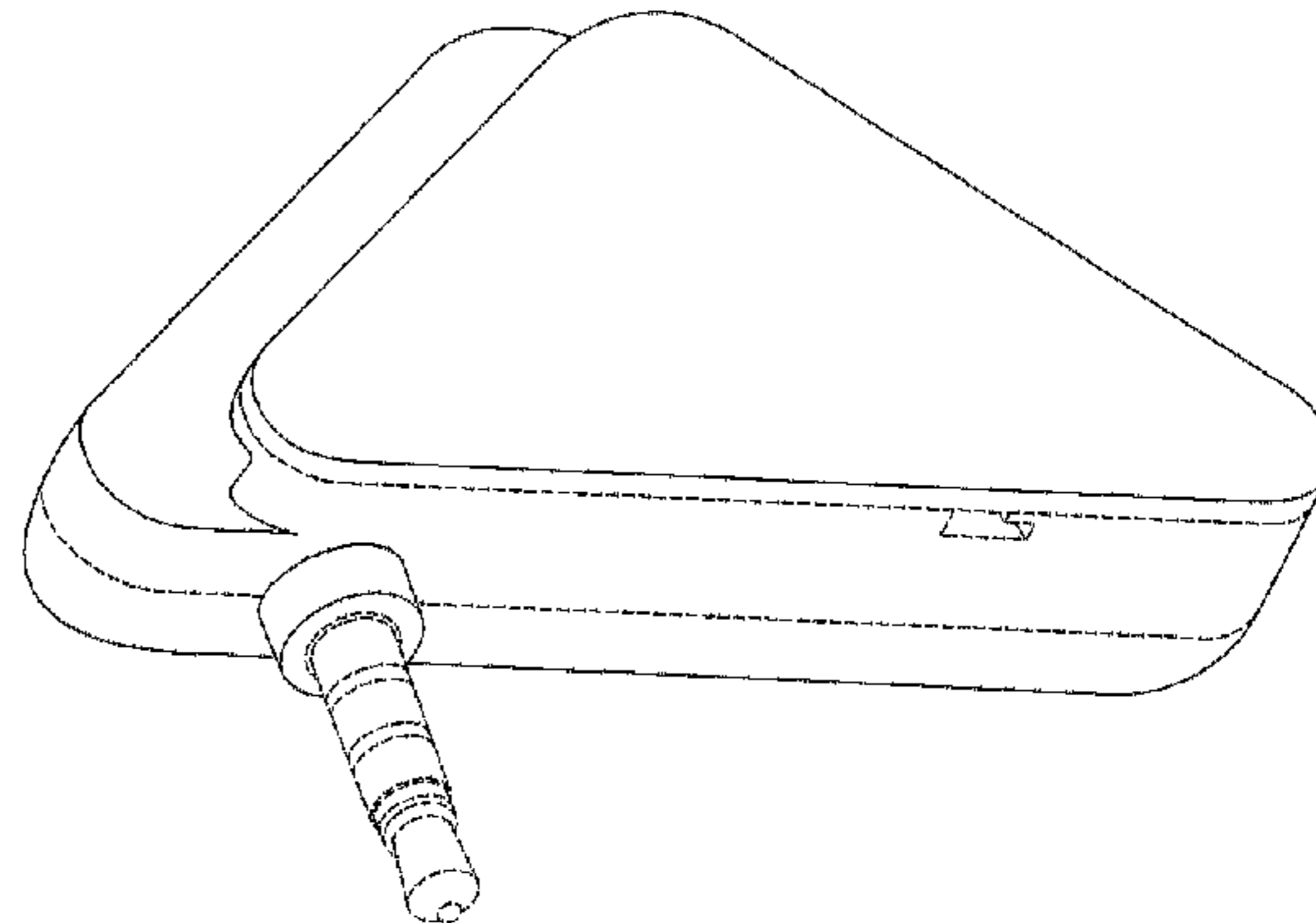
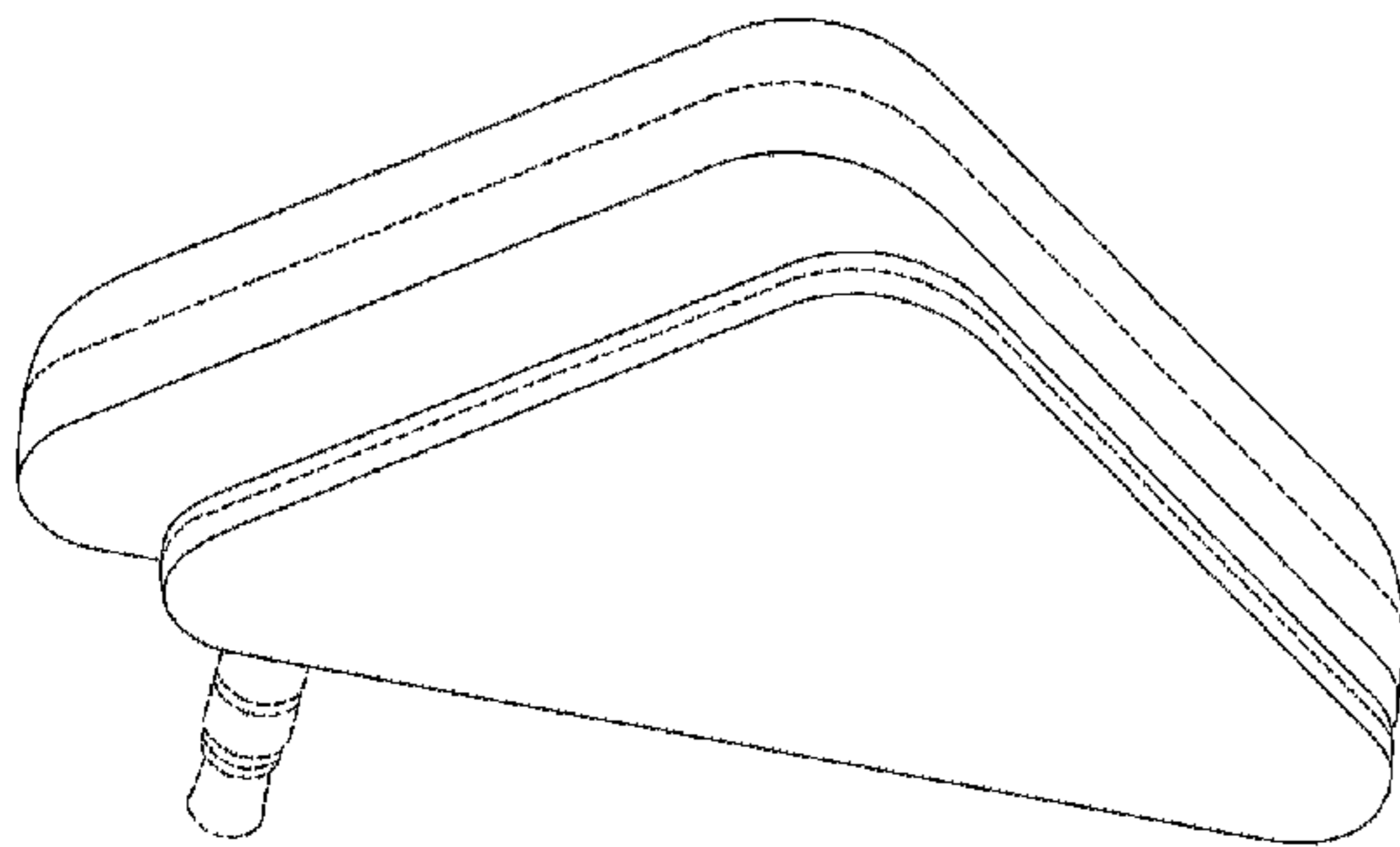
The ornamental design for a reader for mobile device, as shown and described.

DESCRIPTION

FIG. 1 is a perspective top view showing our new reader design for a mobile device;
FIG. 2 is a perspective bottom view thereof;
FIG. 3 is a front view thereof;
FIG. 4 is a side view thereof;
FIG. 5 is another side view thereof;
FIG. 6 is a back view thereof;
FIG. 7 is a top view thereof; and,
FIG. 8 is a bottom view thereof.

In the drawings, the broken lines depict environmental subject matter only and form no part of the claimed design.

1 Claim, 4 Drawing Sheets



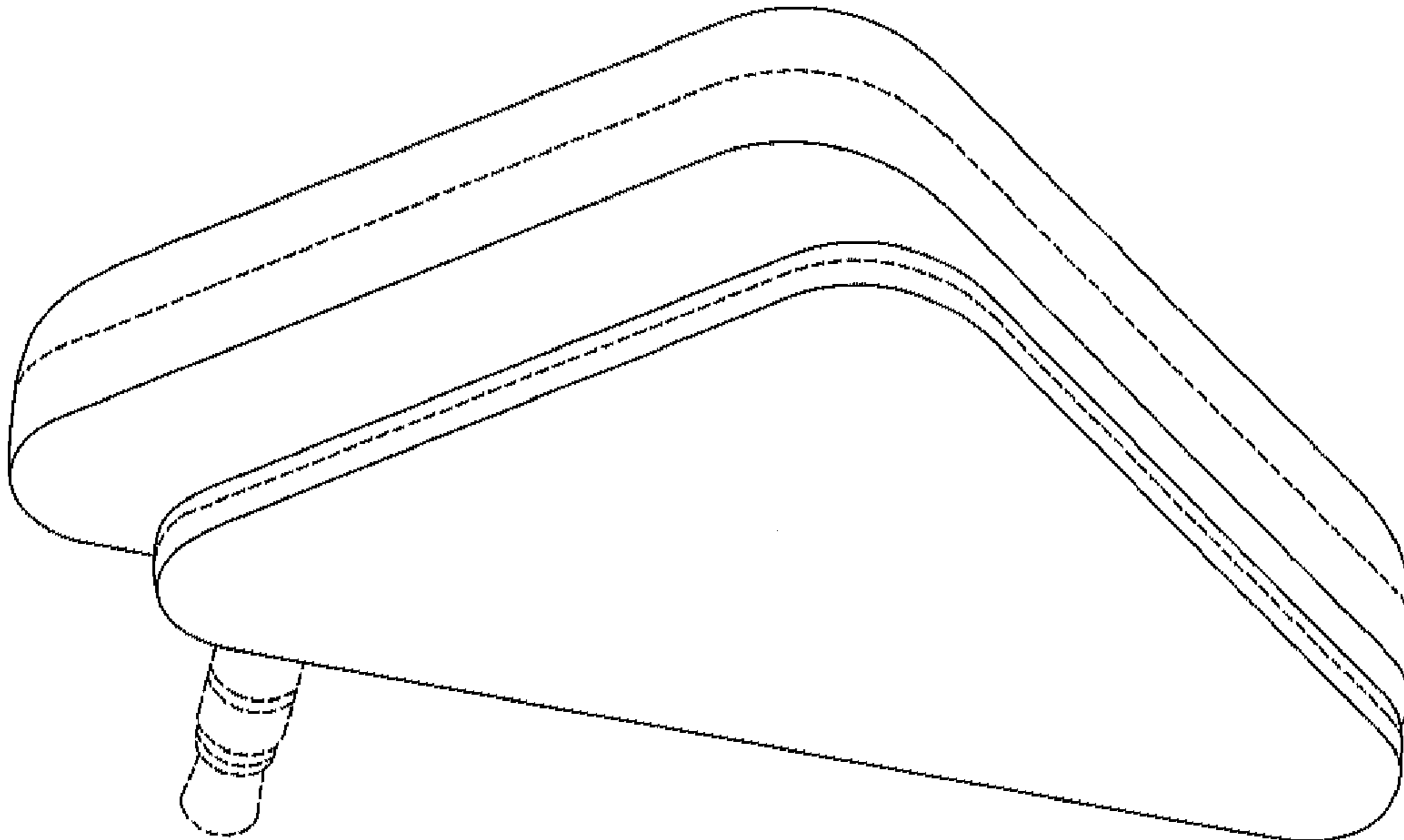


FIG. 1

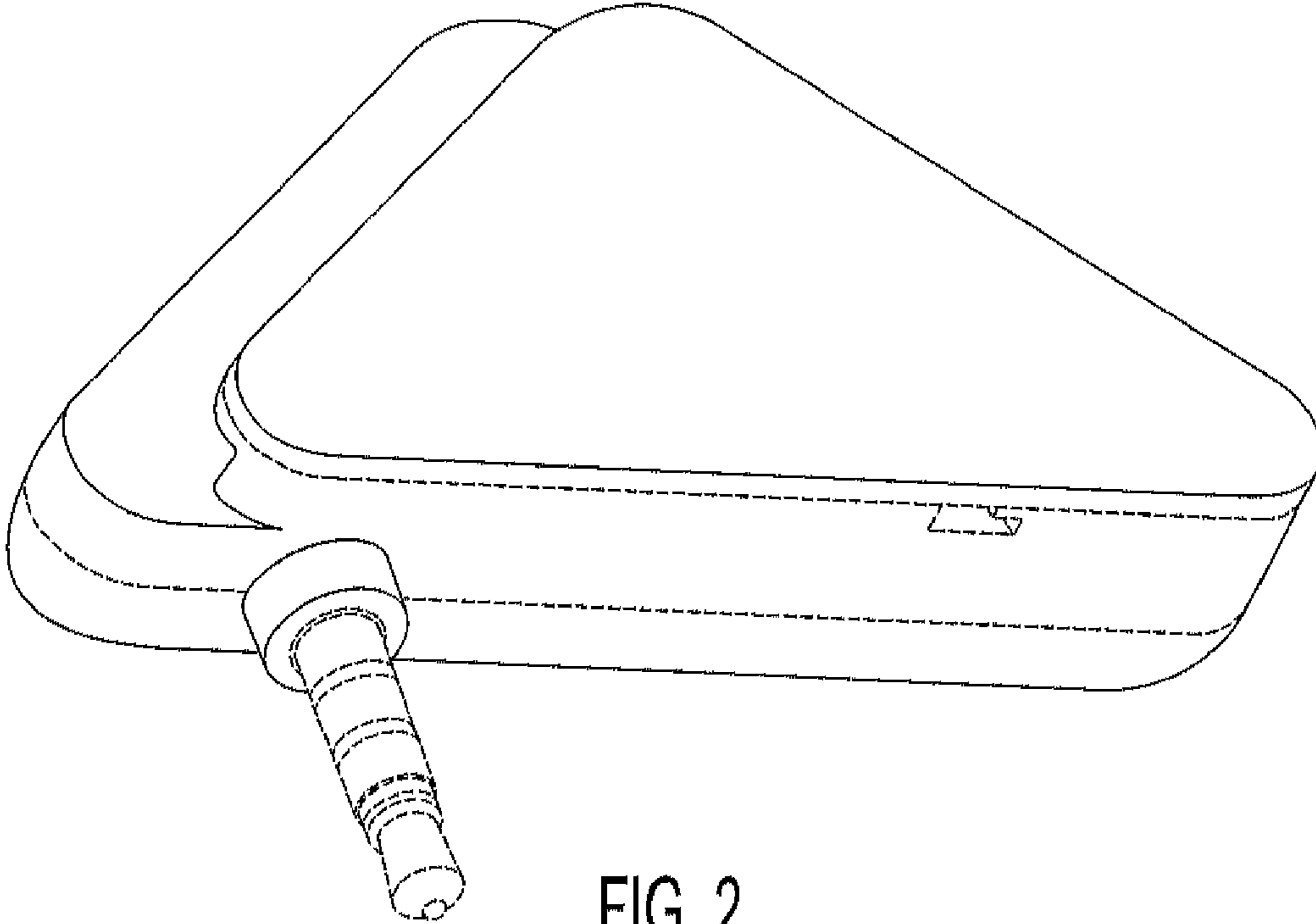


FIG. 2

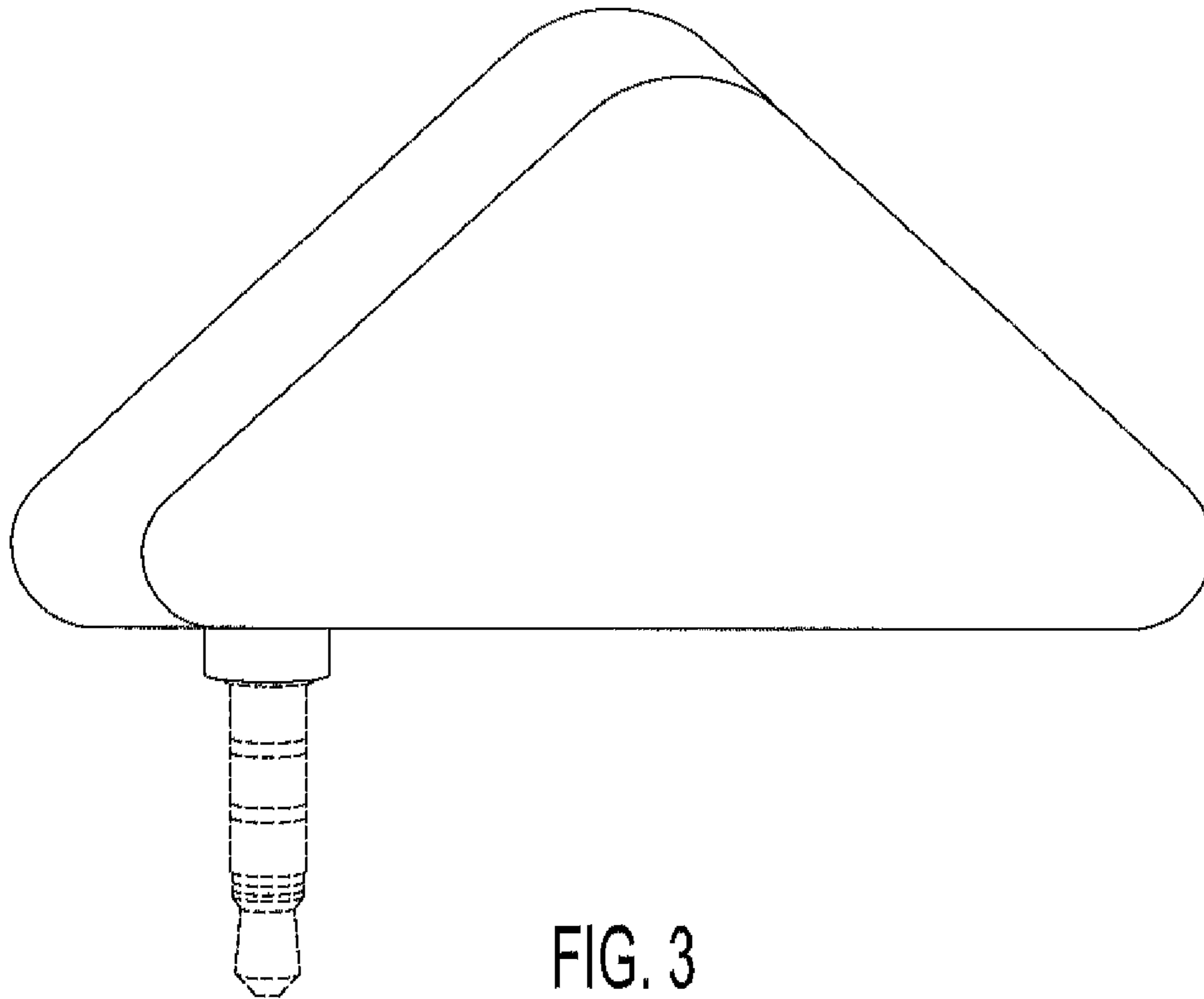


FIG. 3

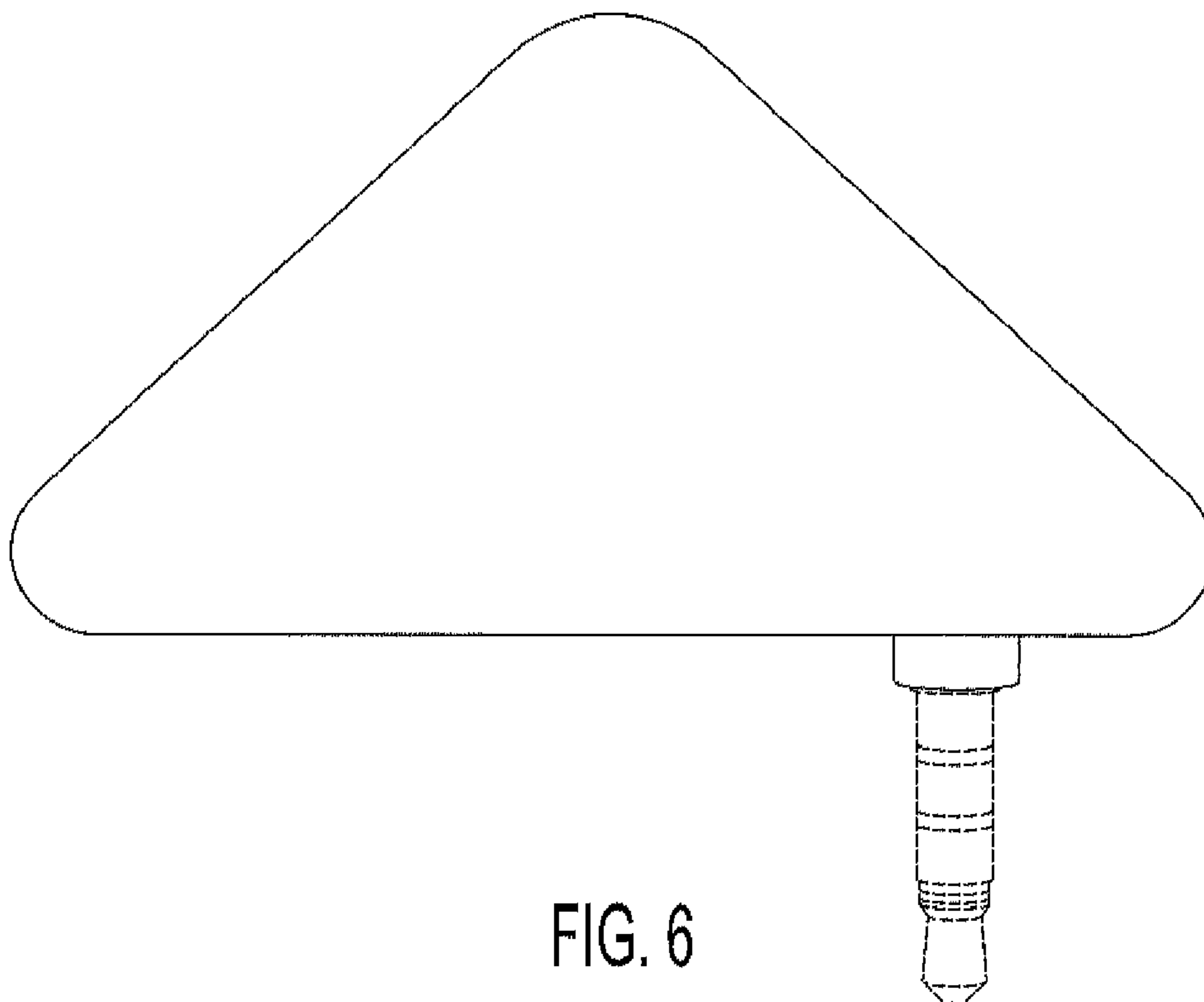


FIG. 6

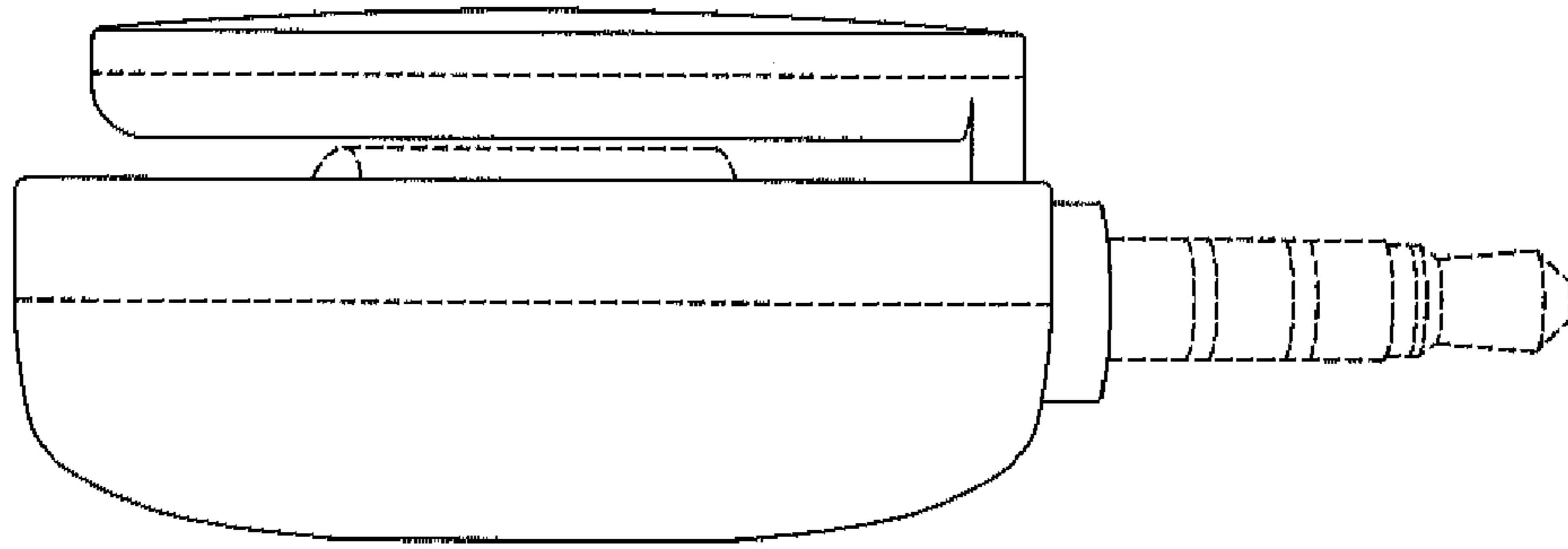


FIG. 5

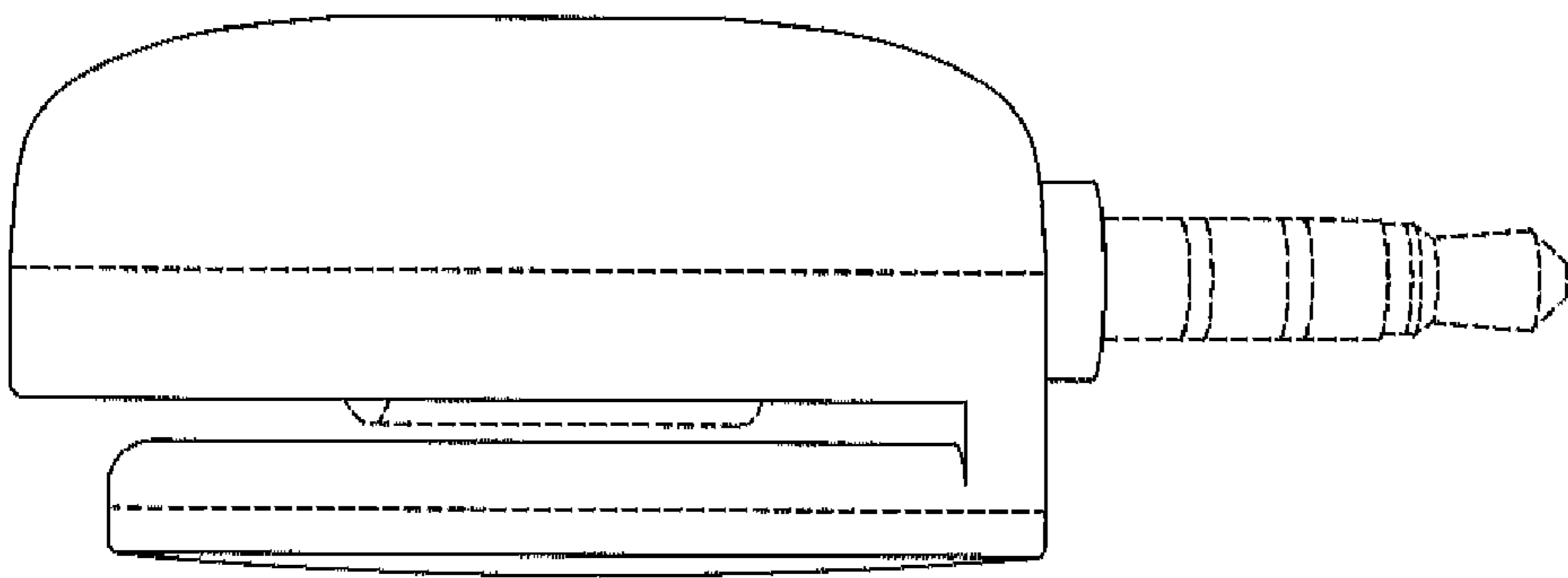


FIG. 4

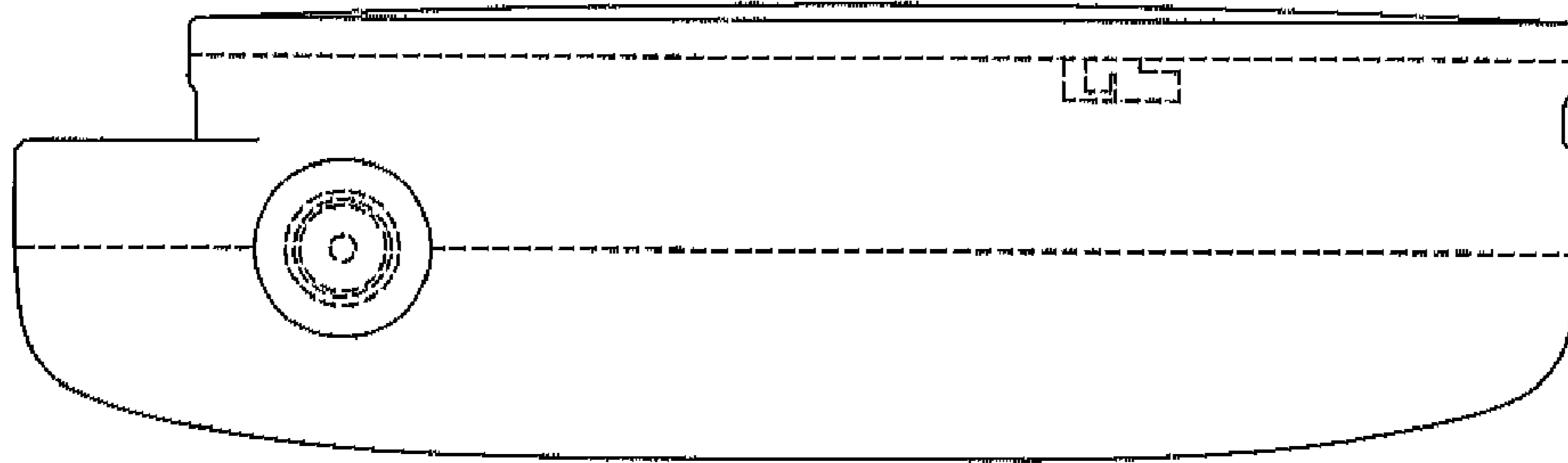


FIG. 8

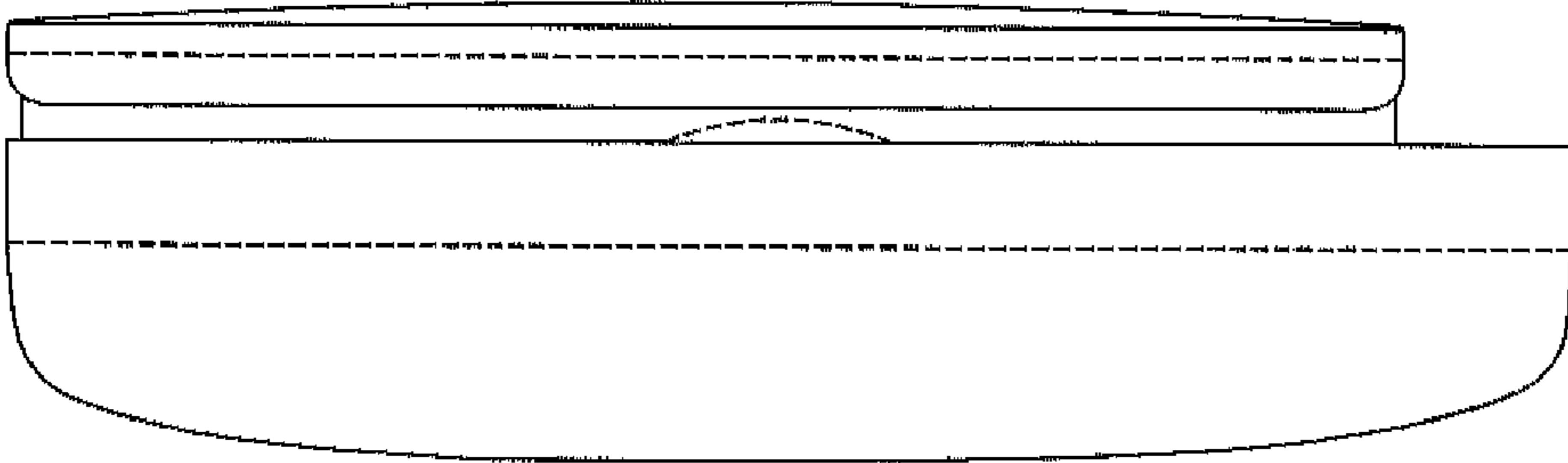


FIG. 7