

US00D675616S

(12) **United States Design Patent**  
**Ahmed et al.**

(10) **Patent No.:** **US D675,616 S**  
(45) **Date of Patent:** **\*\* Feb. 5, 2013**

(54) **ELECTRONIC PAYMENT DEVICE**

(75) Inventors: **Syed Arif Ahmed**, Austin, TX (US);  
**Rogelio Sosa**, Austin, TX (US);  
**Bertrand Sosa**, Austin, TX (US)

(73) Assignee: **Rev Worldwide, Inc.**, Austin, TX (US)

(\*\*) Term: **14 Years**

(21) Appl. No.: **29/391,512**

(22) Filed: **May 10, 2011**

(51) **LOC (9) Cl.** ..... **14-02**

(52) **U.S. Cl.** ..... **D14/385**

(58) **Field of Classification Search** ..... D14/356–358,  
D14/383–385, 420, 426, 427, 432–439, 447,  
D14/453, 454, 217, 253, 299; D13/107,  
D13/108, 133, 146, 147, 152, 154, 156, 158,  
D13/162, 162.1, 168, 173, 177, 102; 235/441,  
235/451, 492, 380, 439, 375; 361/679.31,  
361/600, 679.01, 679.02

See application file for complete search history.

(56) **References Cited**

**U.S. PATENT DOCUMENTS**

D367,044 S \* 2/1996 Arakaki ..... D18/4.6  
D391,944 S \* 3/1998 Han ..... D14/356  
D400,191 S \* 10/1998 Butts et al. .... D14/385  
5,933,812 A \* 8/1999 Meyer et al. .... 705/15

6,097,606 A \* 8/2000 Groves et al. .... 361/747  
D444,784 S \* 7/2001 Hsin ..... D14/385  
D482,653 S \* 11/2003 Cho ..... D13/110  
D507,569 S \* 7/2005 Tagliabue et al. .... D14/356  
D542,791 S \* 5/2007 Fitch et al. .... D14/385  
D559,253 S \* 1/2008 Arakaki et al. .... D14/385  
D569,915 S \* 5/2008 Zu ..... D20/43  
D586,813 S \* 2/2009 Colburn ..... D14/385  
D626,963 S \* 11/2010 Kim ..... D14/420  
D637,189 S \* 5/2011 Hemming et al. .... D14/385  
2003/0132918 A1 \* 7/2003 Fitch et al. .... 345/173

\* cited by examiner

*Primary Examiner* — Austin Murphy

(74) *Attorney, Agent, or Firm* — DuBois, Bryant & Campbell, LLP; William D. Wiese

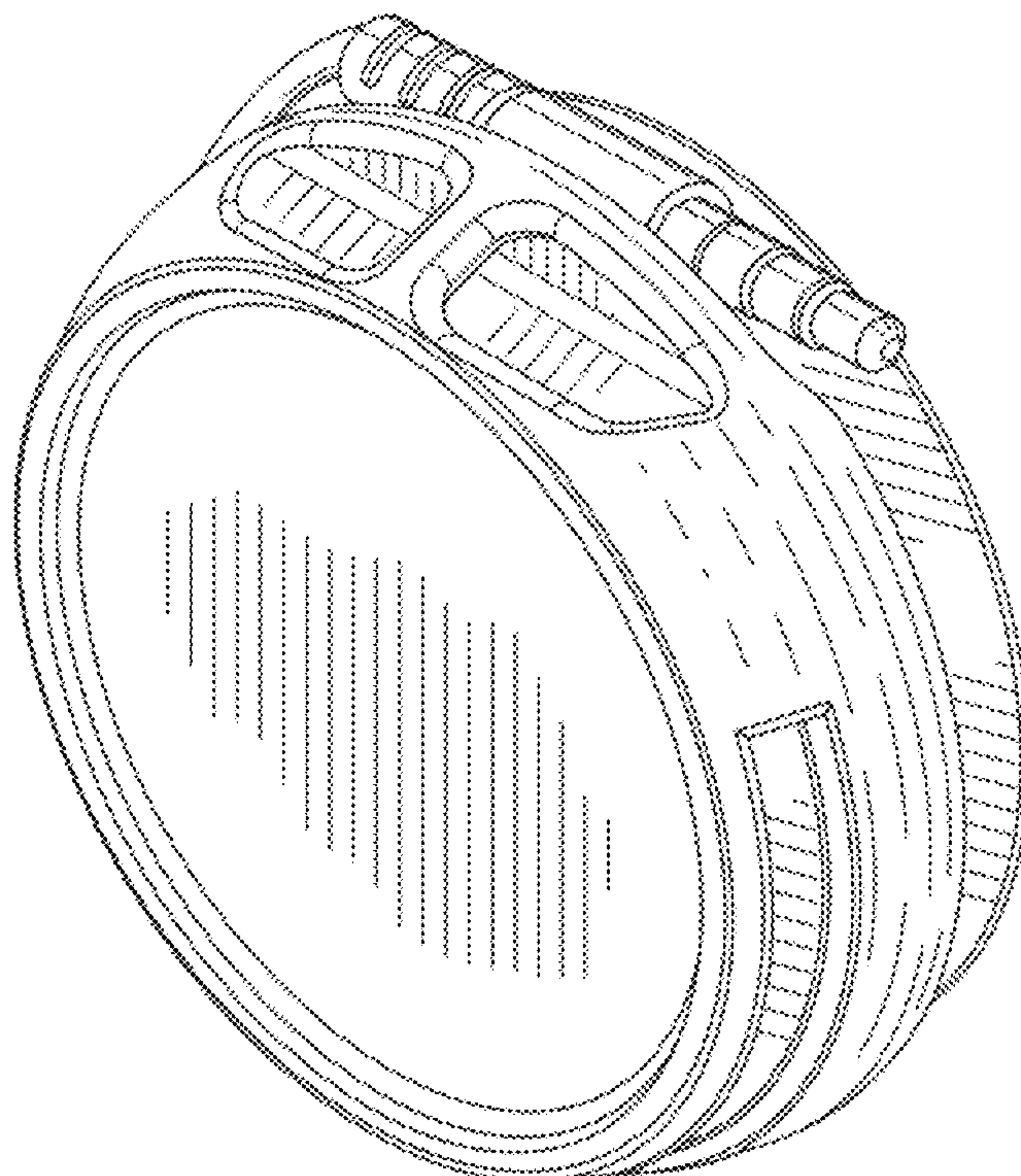
(57) **CLAIM**

The ornamental design for an electronic payment device, as shown and described.

**DESCRIPTION**

FIG. 1 is a front isometric view of one embodiment of the electronic payment device;  
FIG. 2 is a side view thereof;  
FIG. 3 is a side view thereof;  
FIG. 4 is a top view thereof;  
FIG. 5 is a bottom view thereof;  
FIG. 6 is a left side view thereof; and,  
FIG. 7 is a right side view thereof.

**1 Claim, 4 Drawing Sheets**



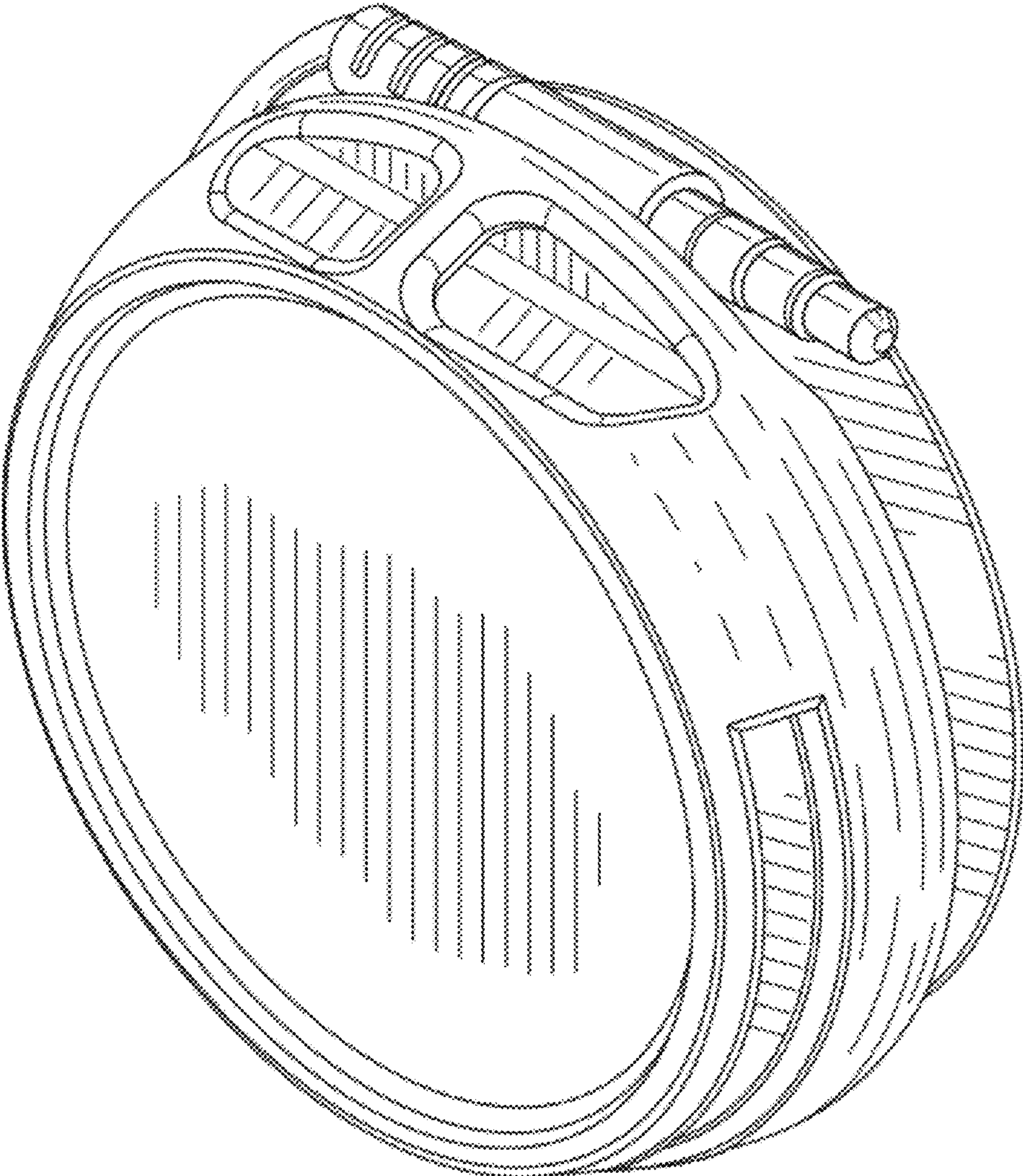


FIG. 1



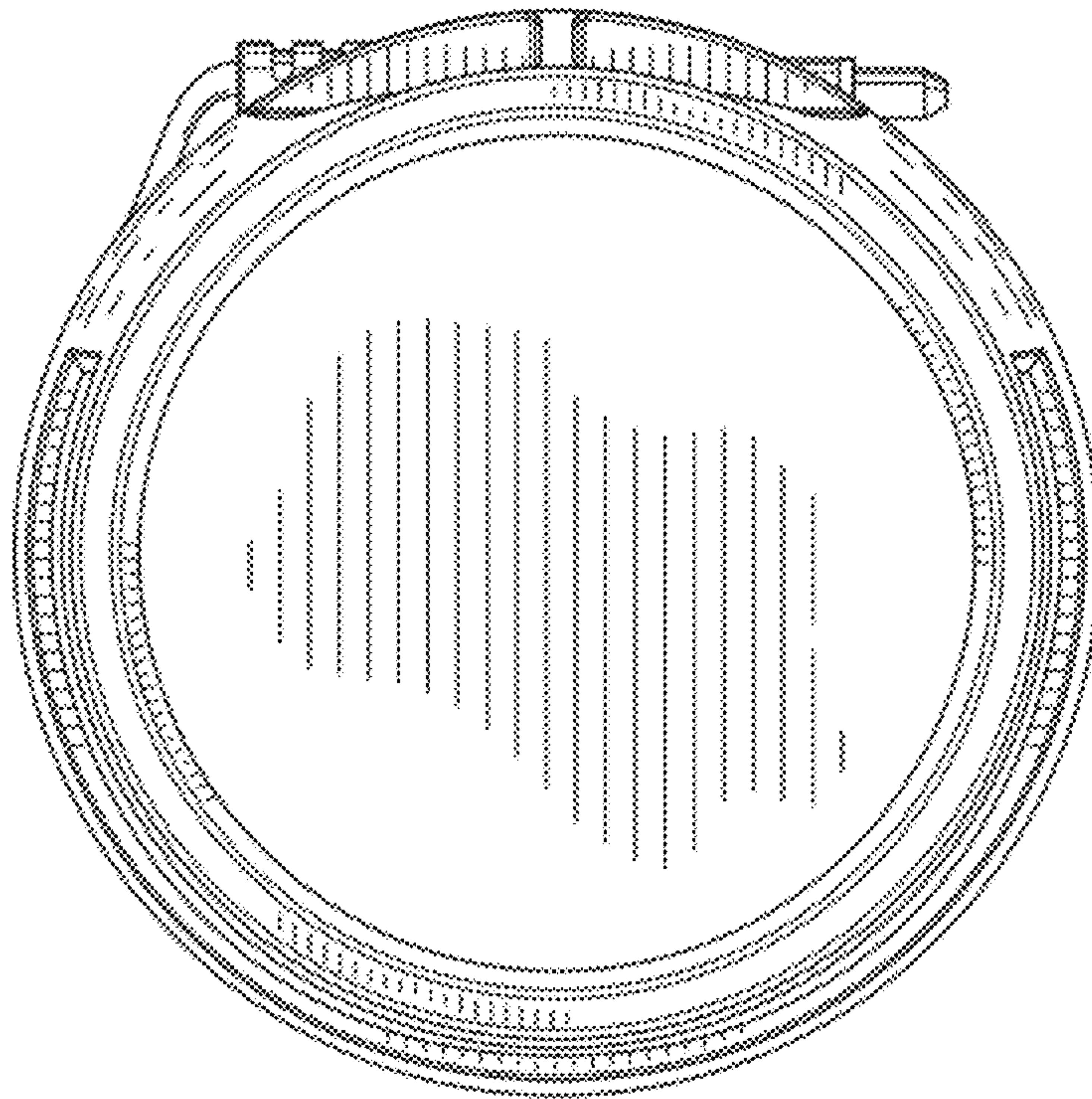


FIG. 2

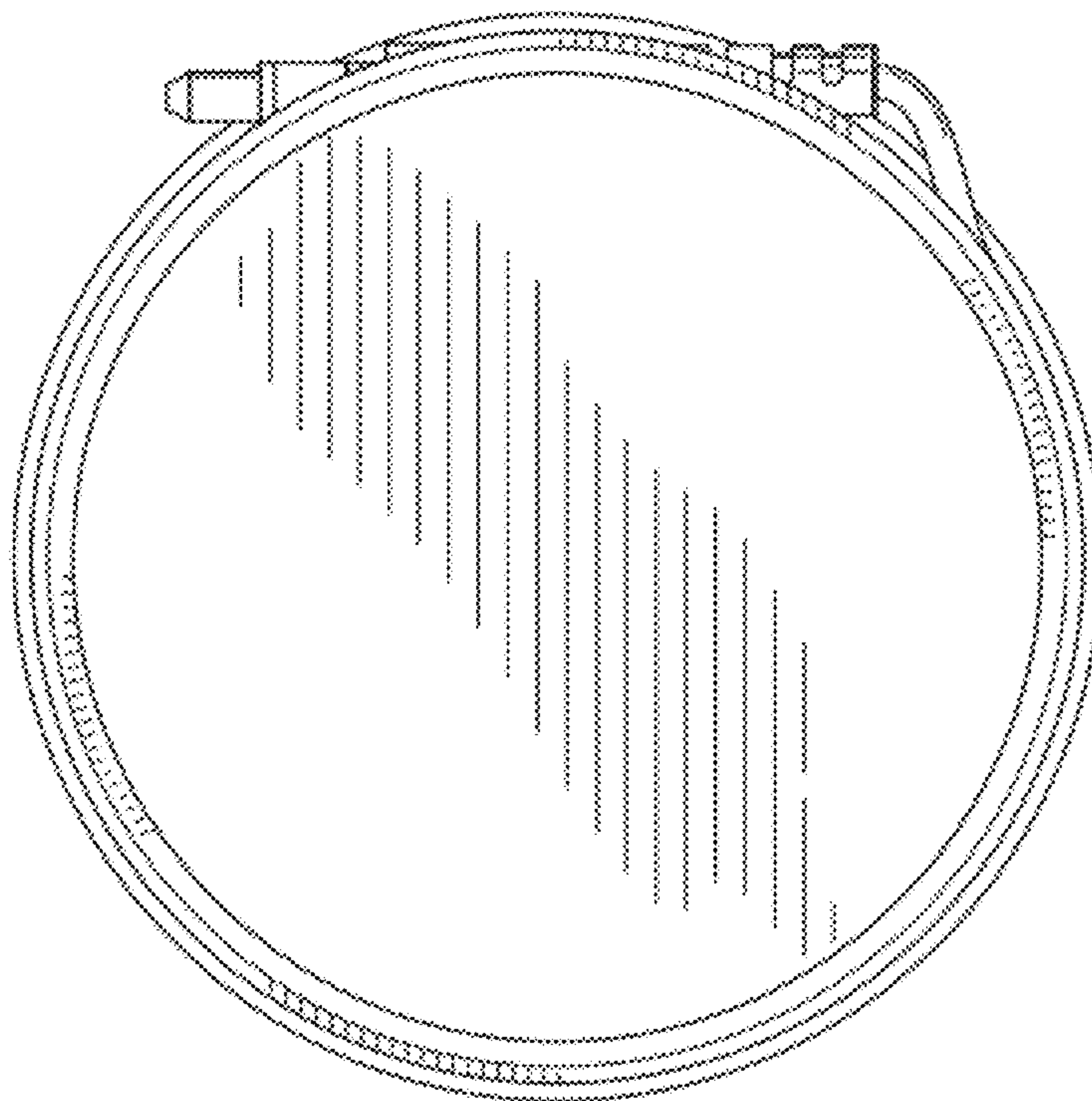


FIG. 3

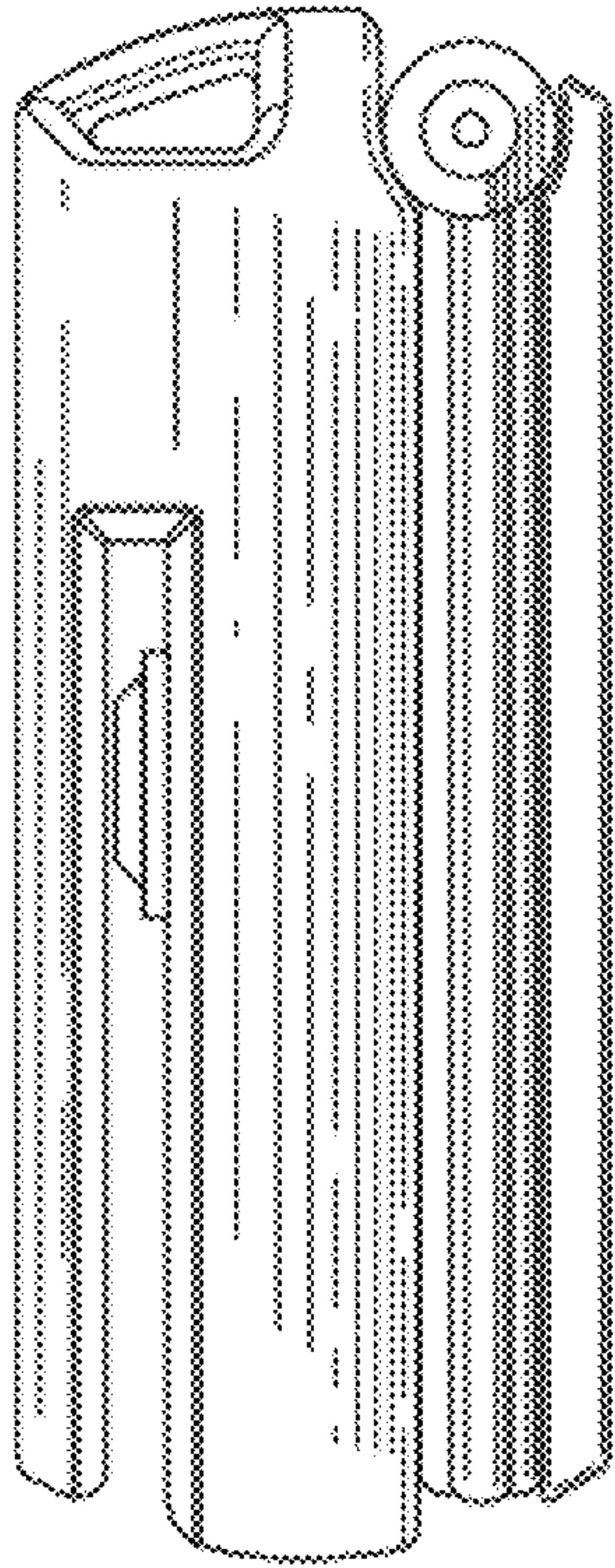


FIG. 4

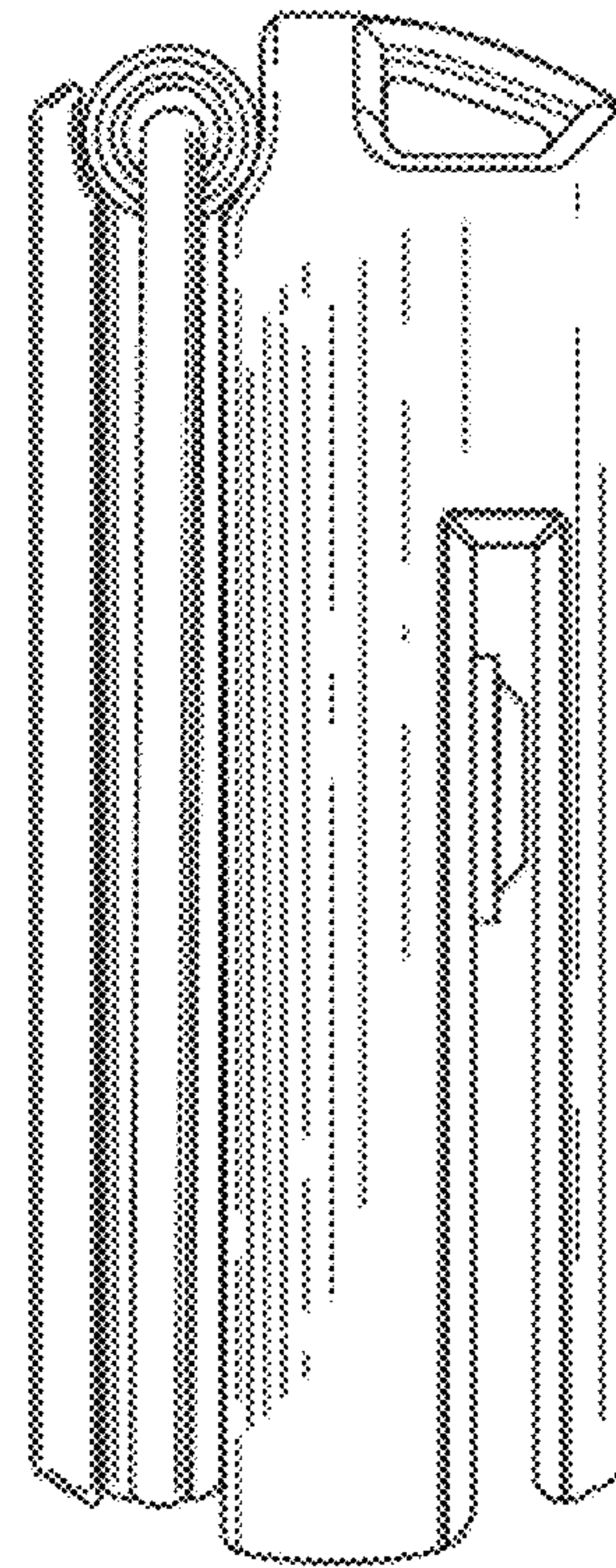


FIG. 5

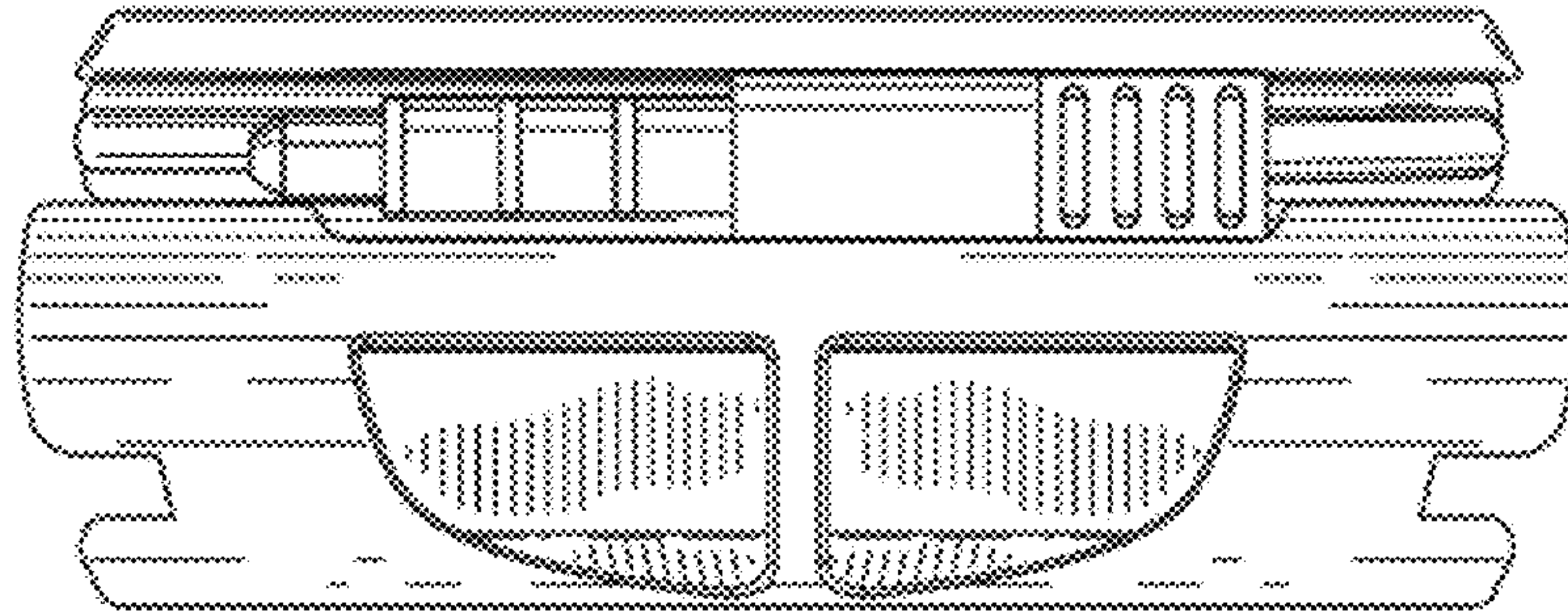


FIG. 6

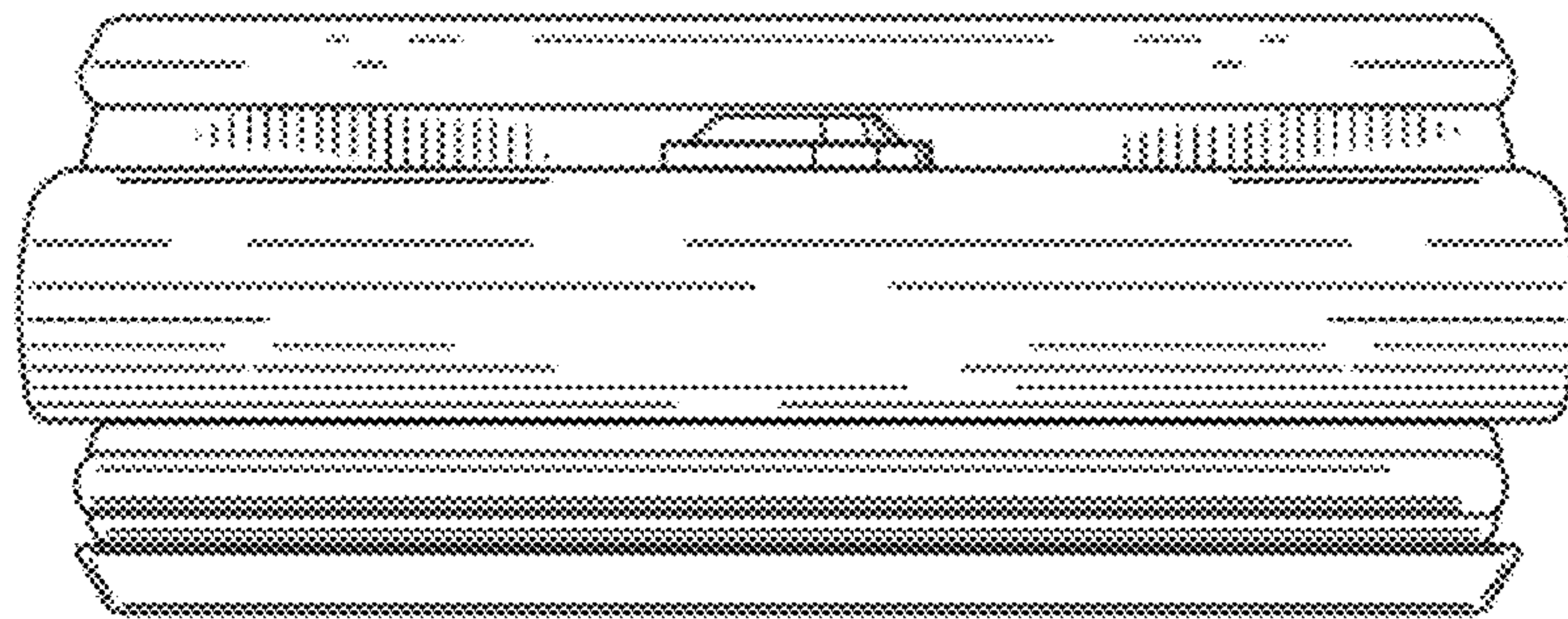


FIG. 7