



US00D675610S

(12) **United States Design Patent**
Ono

(10) **Patent No.:** **US D675,610 S**

(45) **Date of Patent:** **** Feb. 5, 2013**

(54) **INFORMATIONAL TERMINAL UNIT**

(75) Inventor: **Yasuhiro Ono**, Yokohama (JP)

(73) Assignee: **Toshiba Tec Kabushiki Kaisha**,
Shinagawa-Ku, Tokyo (JP)

(**) Term: **14 Years**

(21) Appl. No.: **29/416,257**

(22) Filed: **Mar. 20, 2012**

(30) **Foreign Application Priority Data**

Jan. 31, 2012 (JP) 2012-001882

(51) **LOC (9) Cl.** **14-02**

(52) **U.S. Cl.** **D14/307**

(58) **Field of Classification Search** D14/302-307,
D14/900-902; D13/163; D20/10; D21/332,
D21/325, 369, 370; D99/28; D6/397, 466;
194/206; 361/679.01, 679.02, 679.04, 679.21,
361/679.57, 725

See application file for complete search history.

(56) **References Cited**

U.S. PATENT DOCUMENTS

D355,676 S *	2/1995	Wilson	D20/10
D366,975 S *	2/1996	Kaga	D6/470
D401,973 S *	12/1998	Isshiki et al.	D20/10
D425,875 S *	5/2000	Wilson	D14/307
D475,985 S *	6/2003	Huang et al.	D14/130
D487,435 S *	3/2004	Huang et al.	D14/130

D497,737 S *	11/2004	Stewart	D6/443
D513,905 S *	1/2006	Lucatello	D6/432
D565,044 S *	3/2008	Witts et al.	D14/307
7,828,646 B2 *	11/2010	Franks, Jr.	463/25
D646,269 S *	10/2011	Crick et al.	D14/307
8,116,081 B2 *	2/2012	Crick, Jr.	361/724
2009/0113116 A1 *	4/2009	Thompson et al.	711/103

* cited by examiner

Primary Examiner — Austin Murphy

(74) *Attorney, Agent, or Firm* — Ohlandt, Greeley, Ruggiero & Perle, L.L.P.

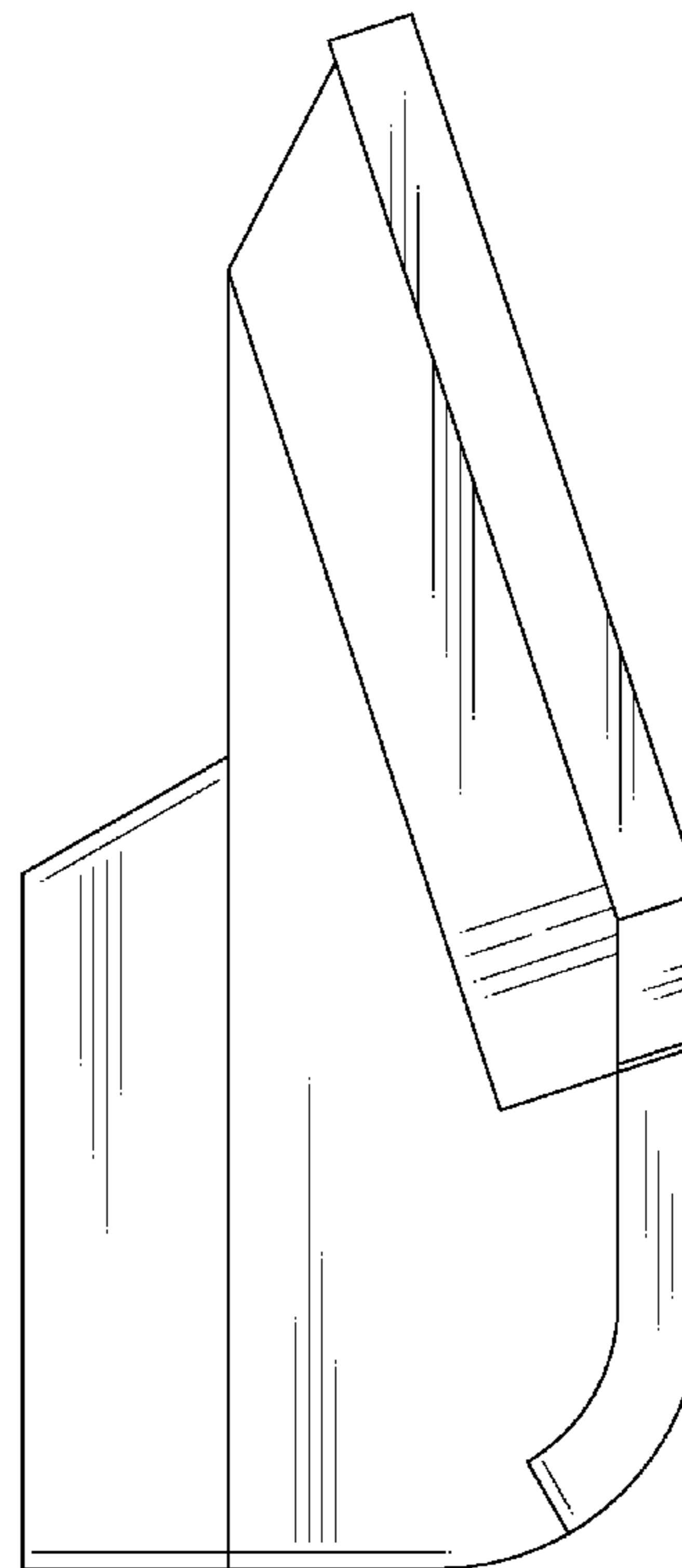
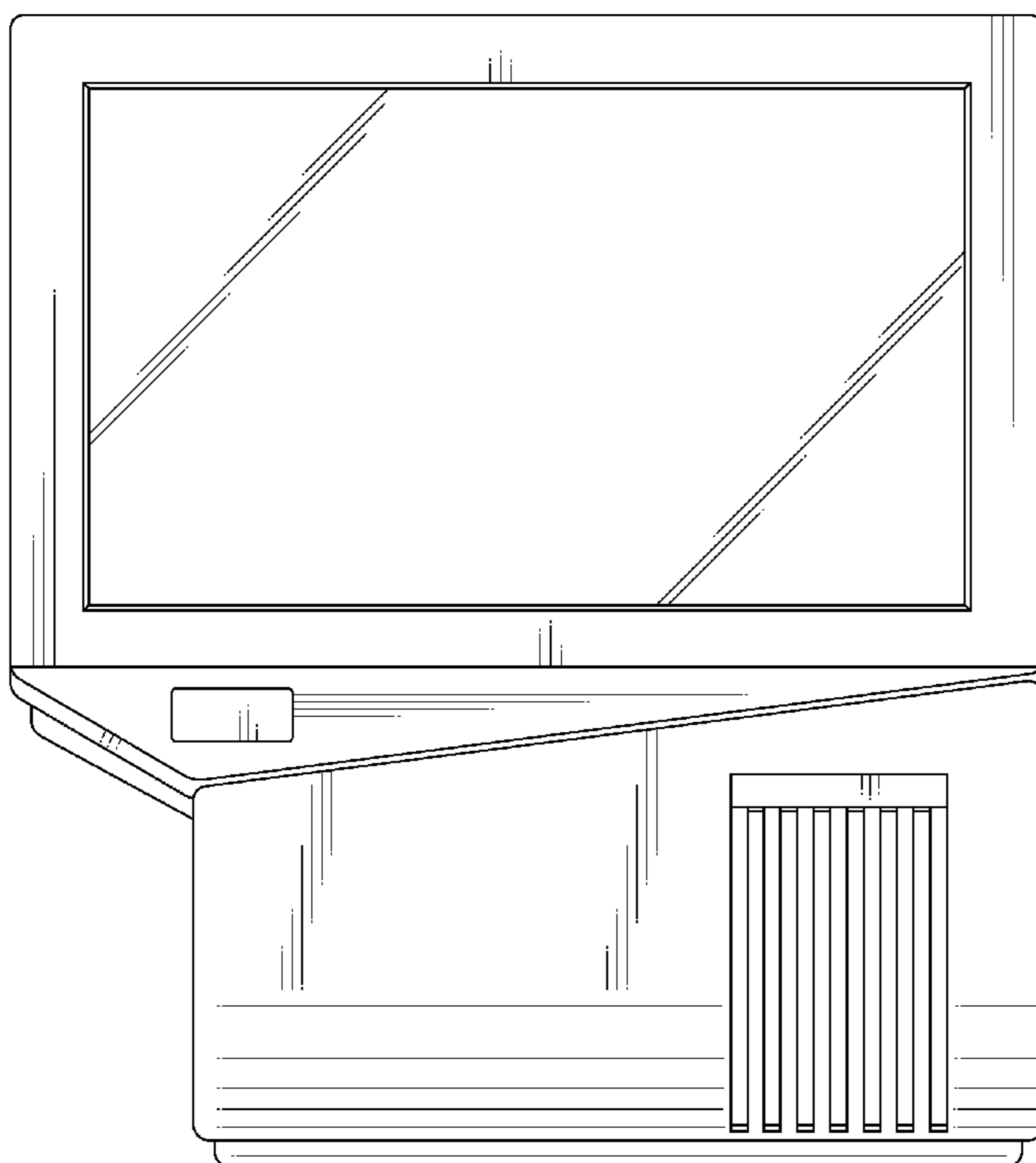
(57) **CLAIM**

The ornamental design for an informational terminal unit, as shown and described.

DESCRIPTION

FIG. 1 is a front, top and left side perspective view of an informational terminal unit, showing my new design;
FIG. 2 is a front elevational view thereof;
FIG. 3 is a rear elevational view thereof;
FIG. 4 is a top plan view thereof;
FIG. 5 is a bottom plan view thereof;
FIG. 6 is a left side elevational view thereof;
FIG. 7 is a right side elevational view thereof;
FIG. 8 is a front, top and right side perspective view thereof;
and,
FIG. 9 is an enlarged fragmentary view of the portion thereof surrounded by box 9 in FIG. 1.

1 Claim, 8 Drawing Sheets



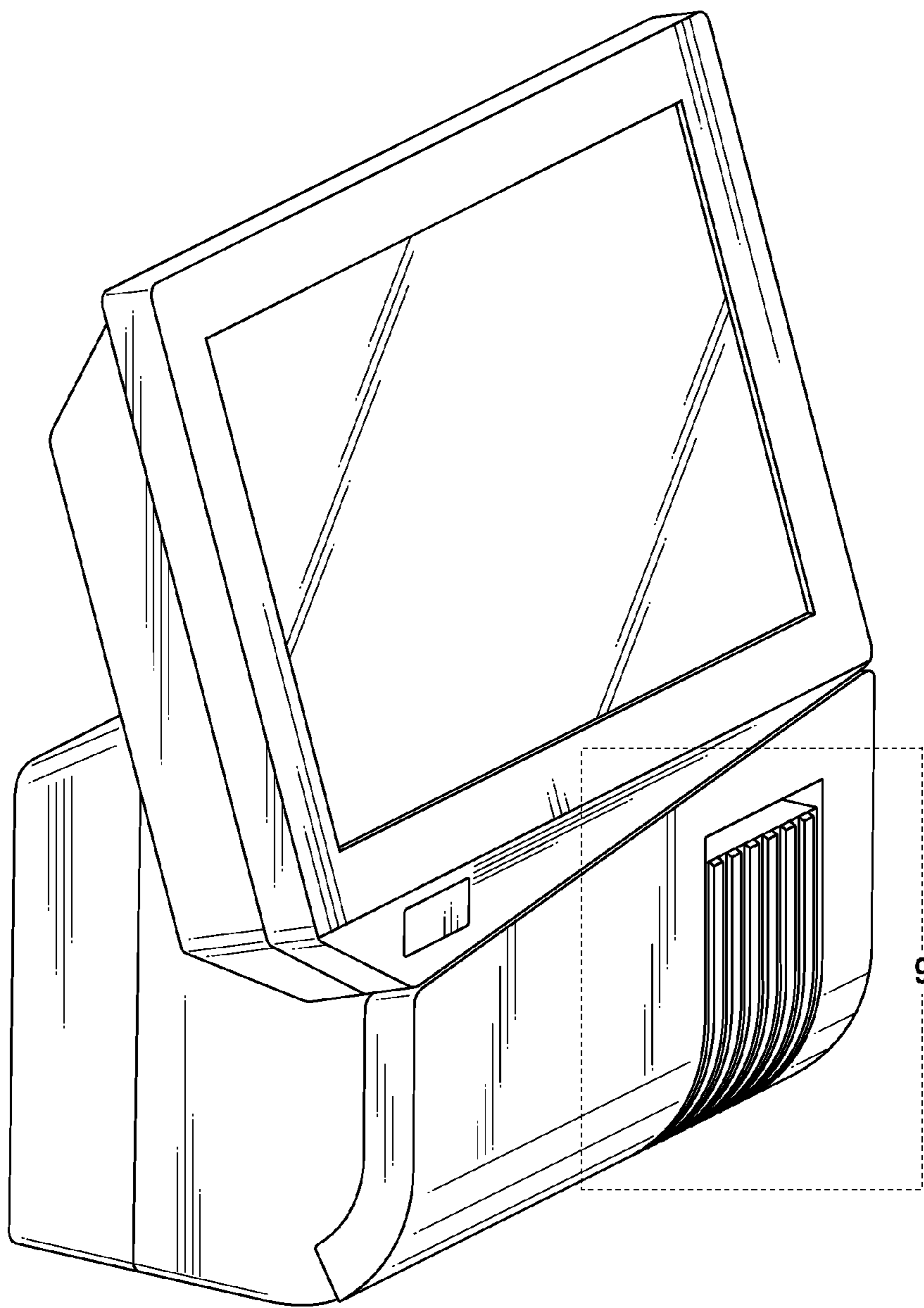


FIG. 1

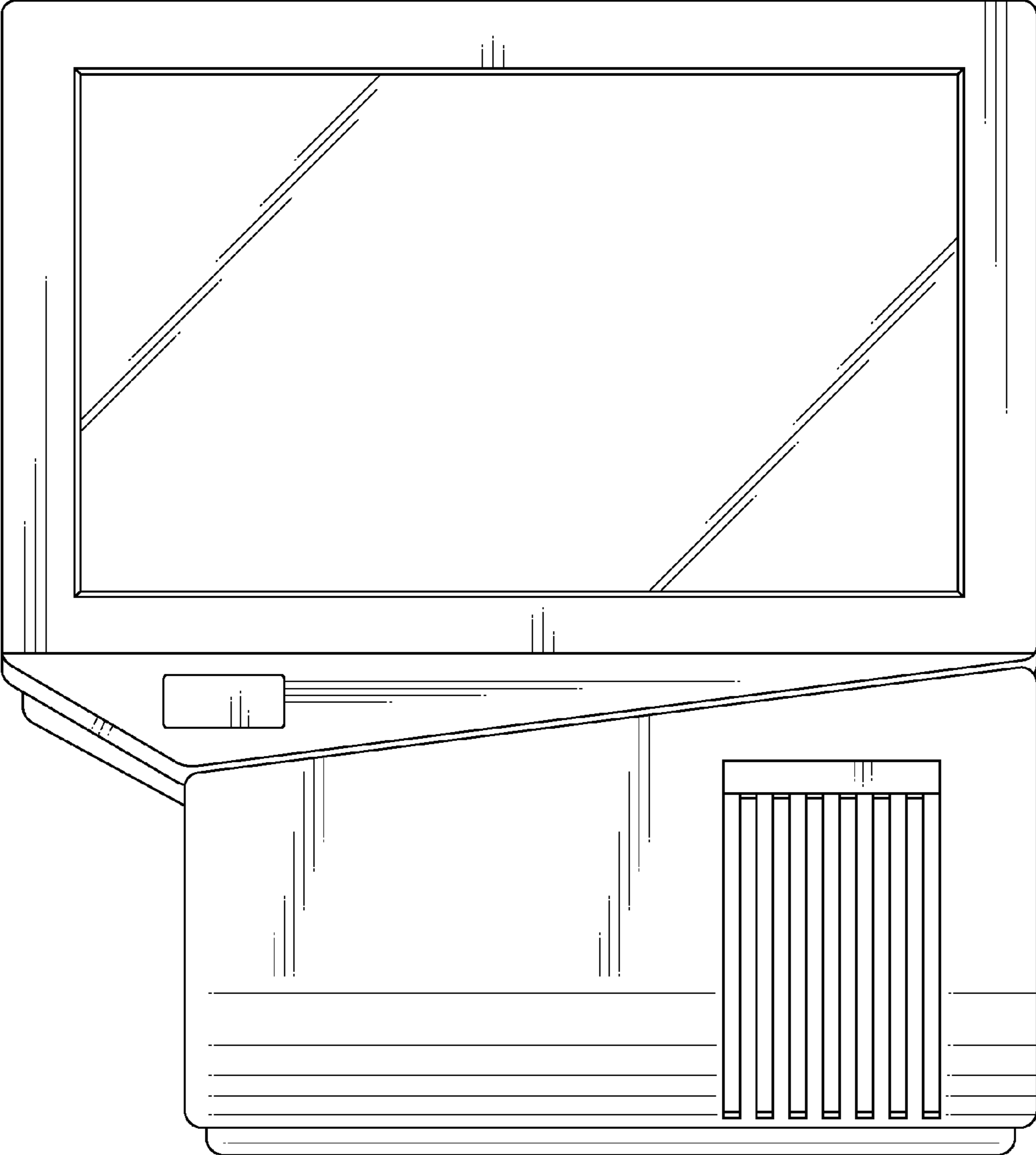


FIG. 2

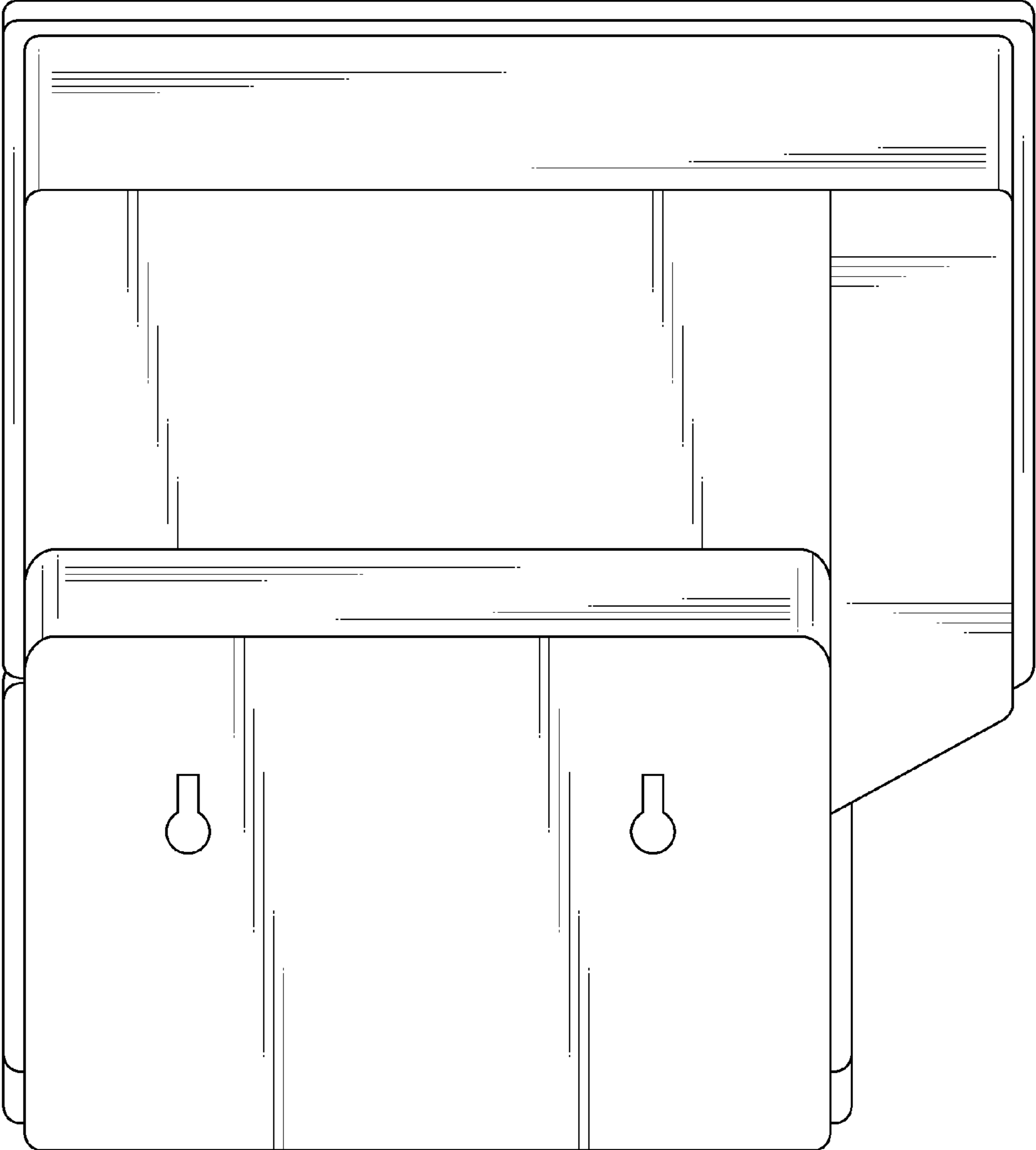


FIG. 3

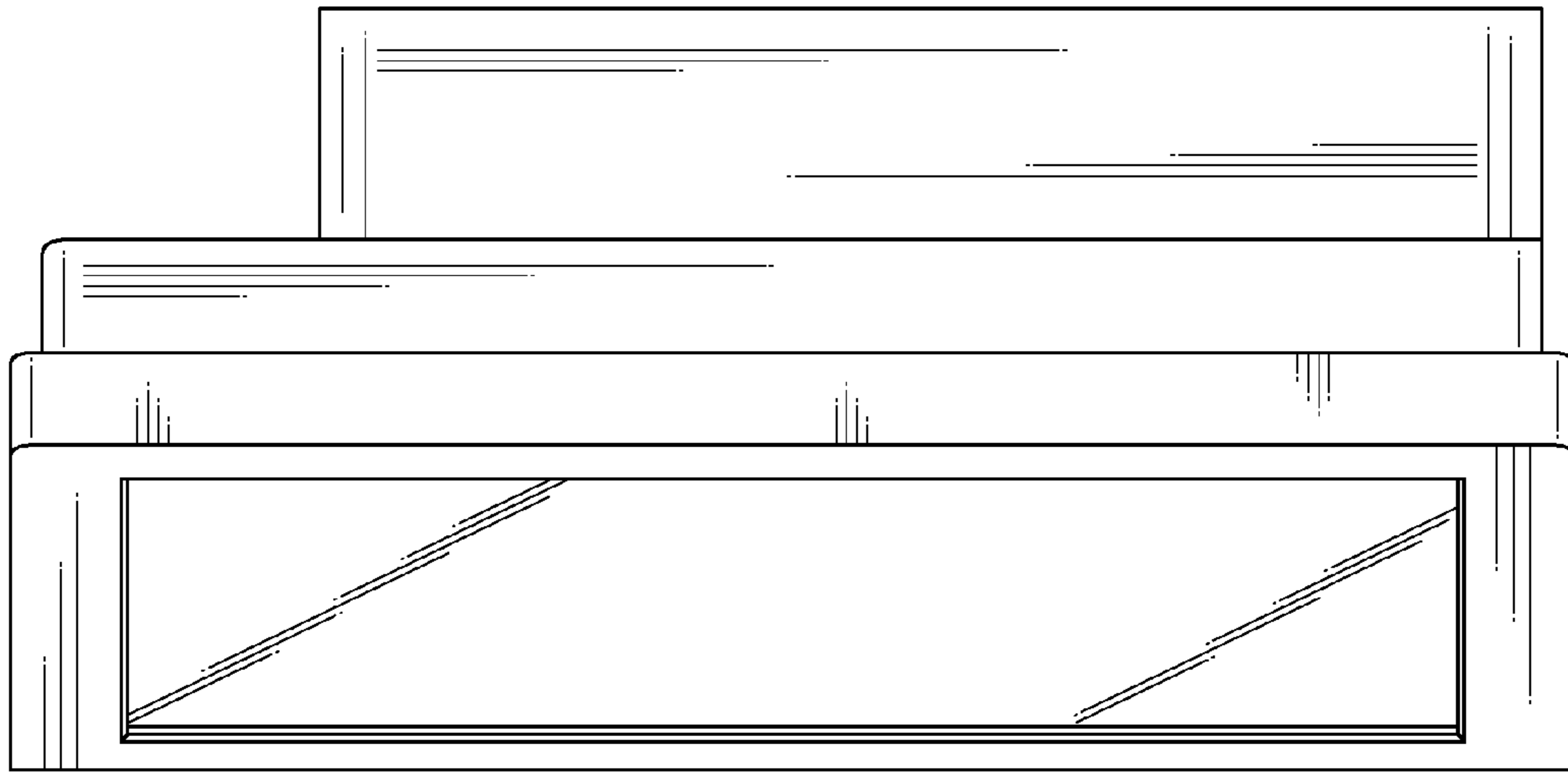


FIG. 4

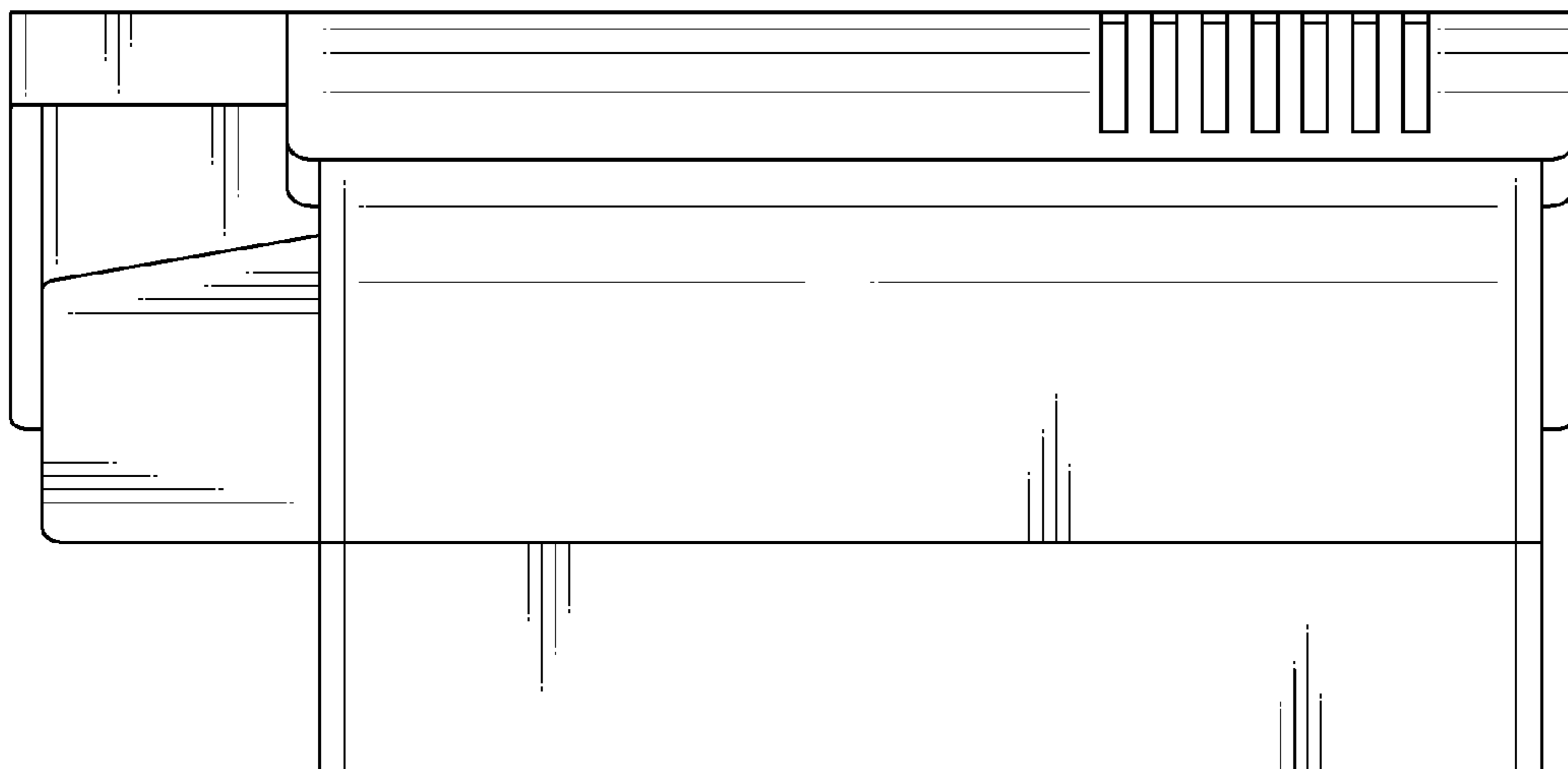


FIG. 5

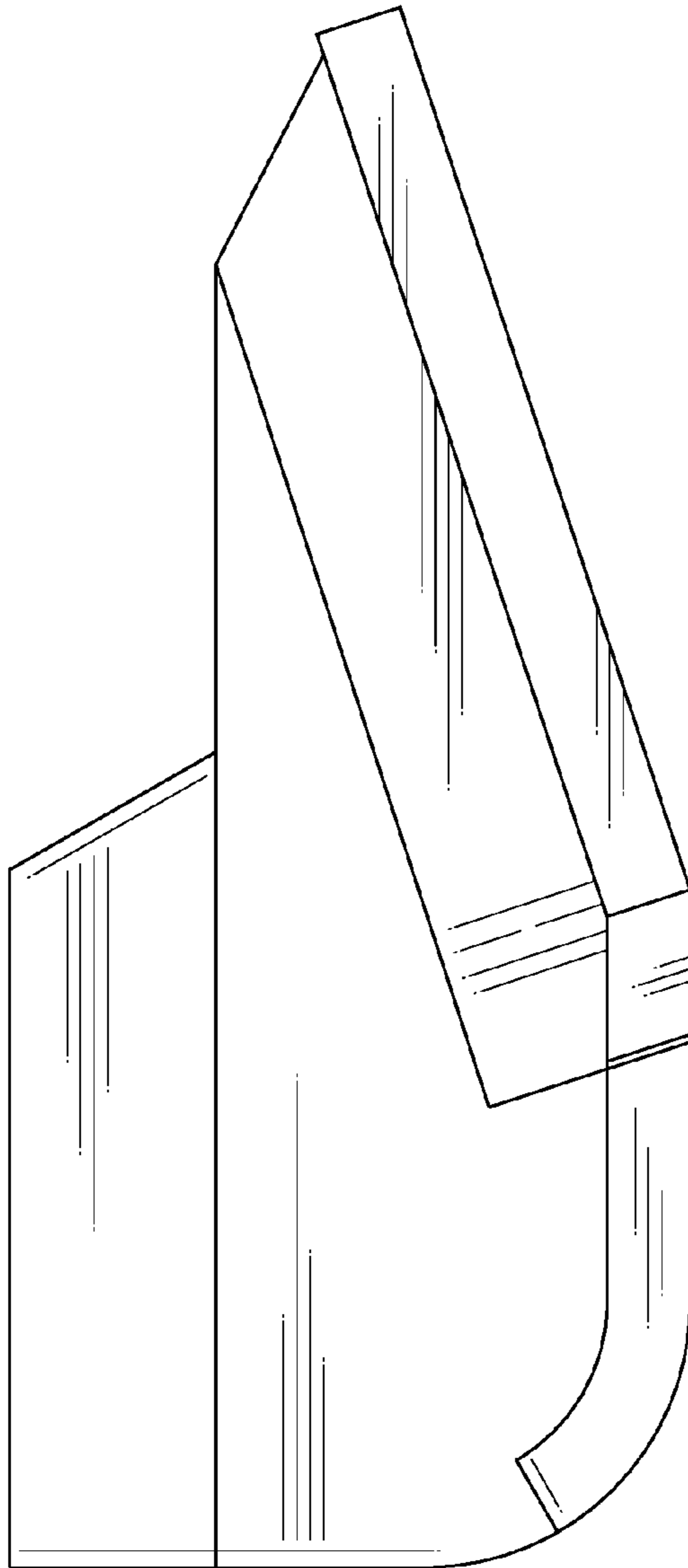


FIG. 6

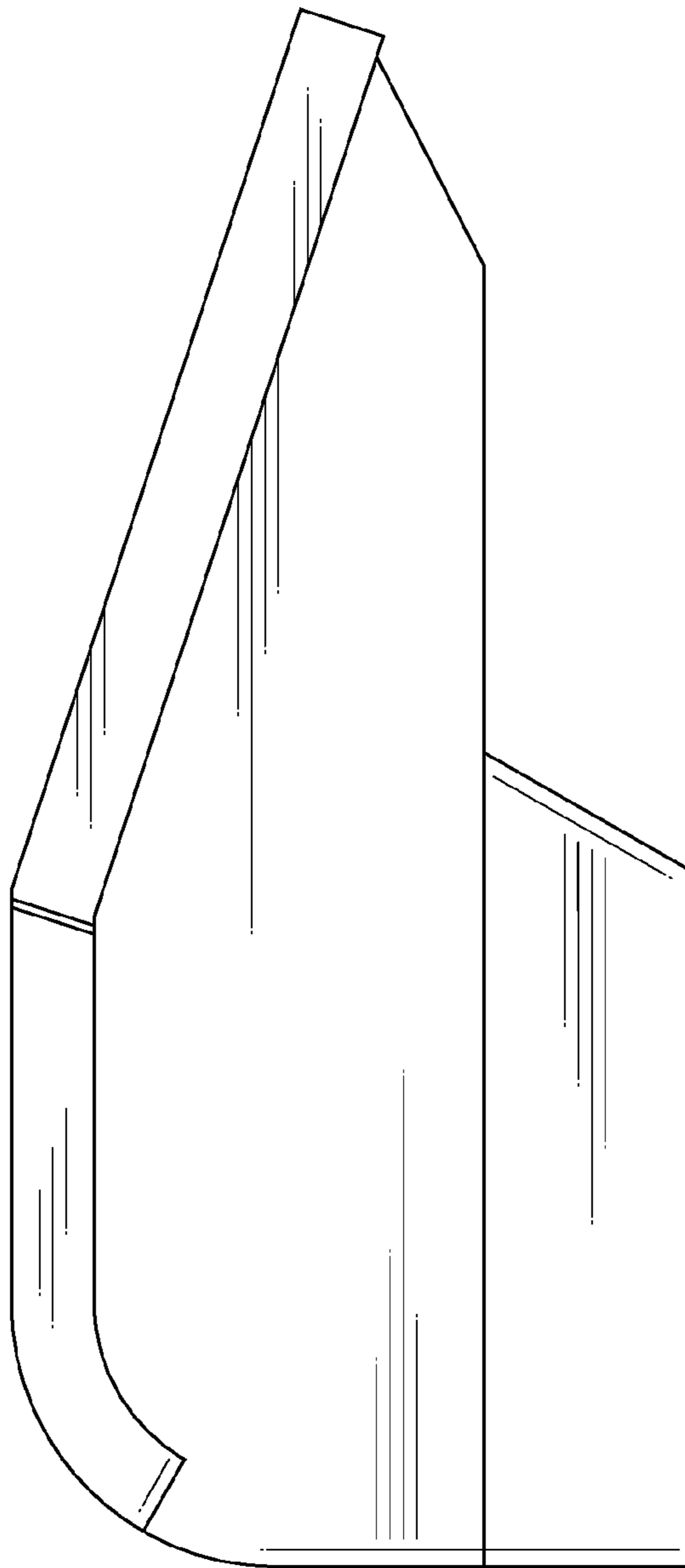


FIG. 7

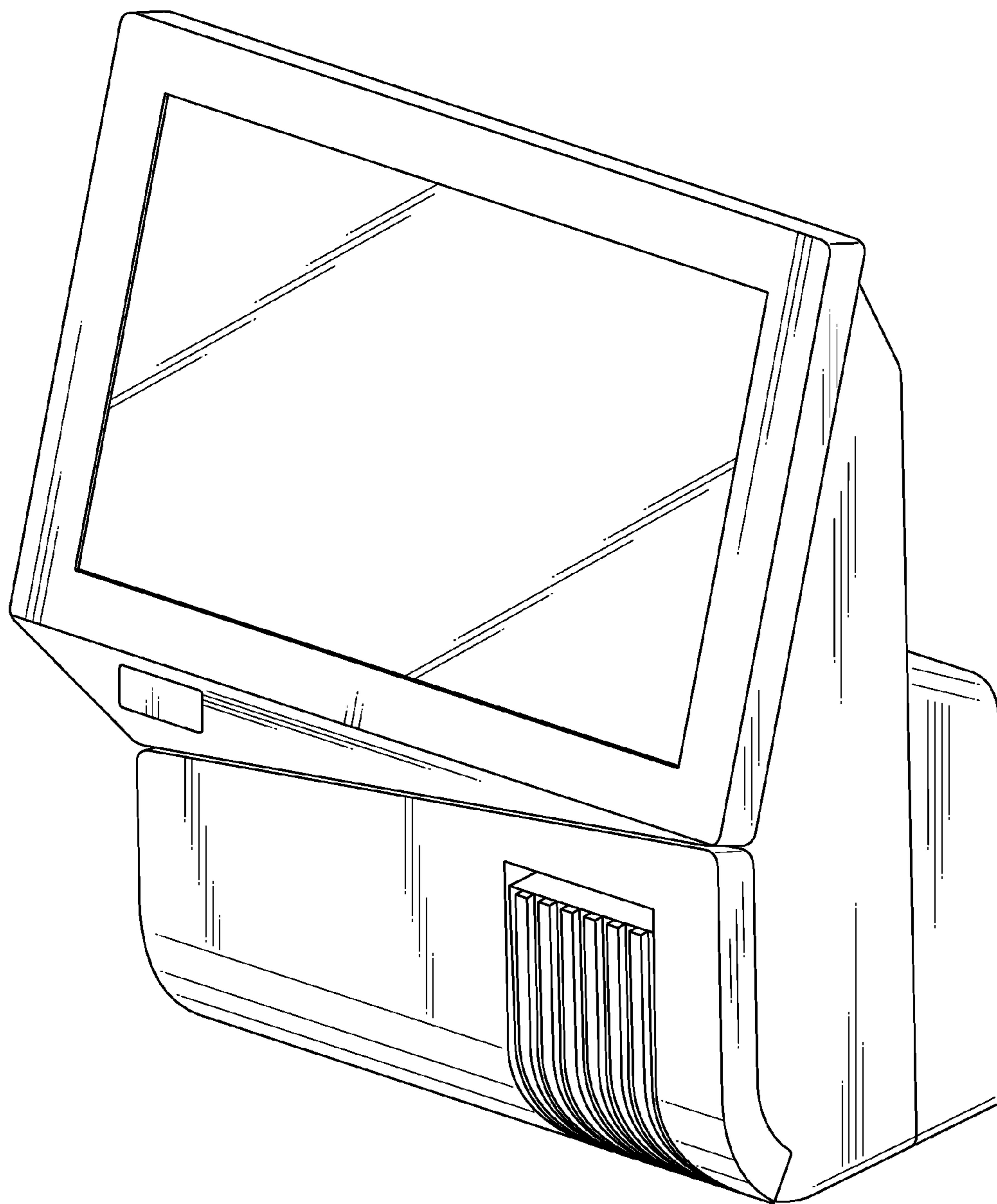


FIG. 8

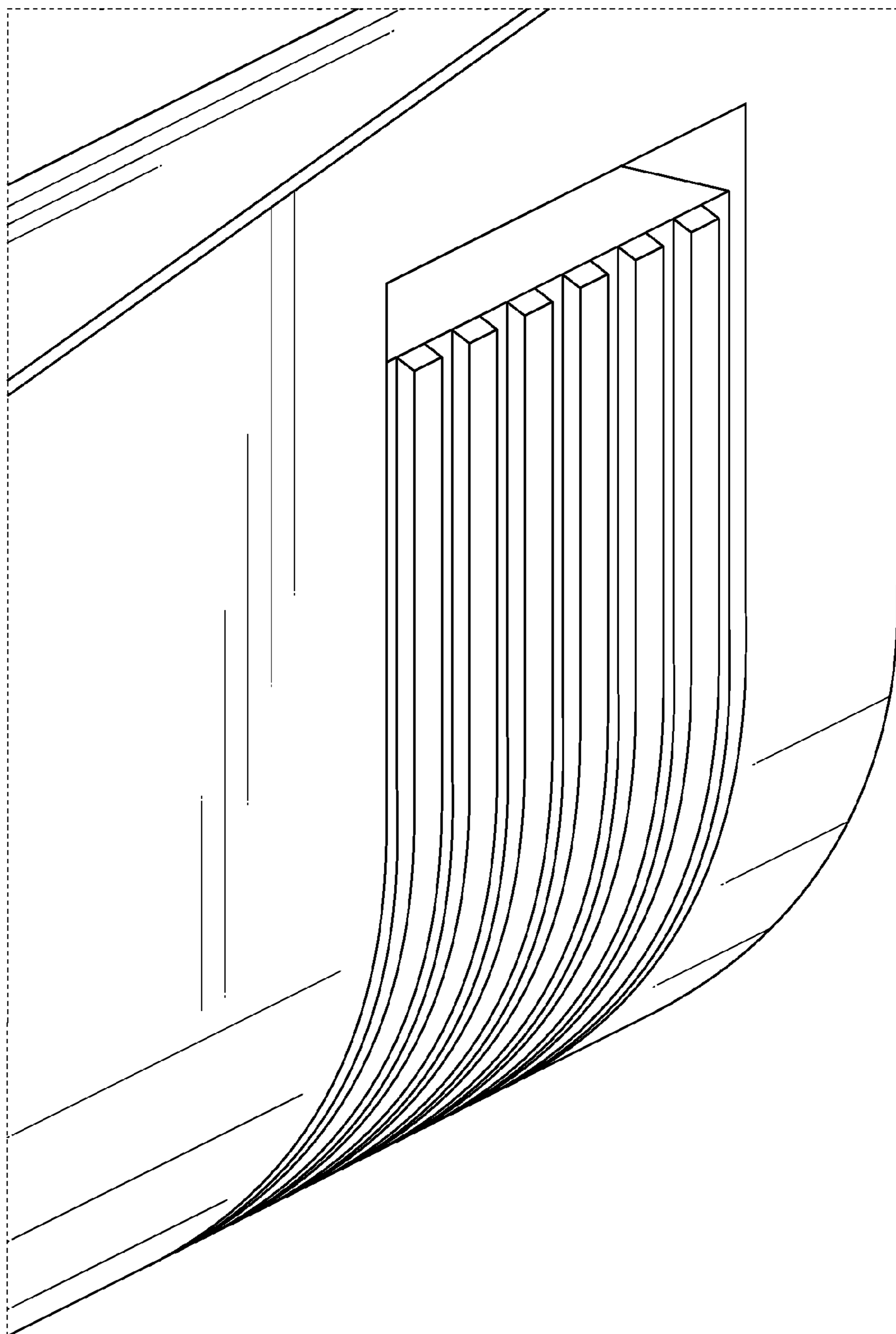


FIG. 9