



US00D675605S

(12) **United States Design Patent**  
**Adelman et al.**

(10) **Patent No.:** **US D675,605 S**  
(45) **Date of Patent:** **\*\* Feb. 5, 2013**

(54) **CANTILEVERED SNAP FIT CASE**  
(75) Inventors: **Gregory M. Adelman**, Boulder, CO (US); **William R. Brennan, Jr.**, Longmont, CO (US); **Richard N. Case**, Boulder, CO (US)  
(73) Assignee: **Nite Ize, Inc.**, Boulder, CO (US)  
(\*\*) Term: **14 Years**  
(21) Appl. No.: **29/410,572**  
(22) Filed: **Jan. 9, 2012**

4,015,762 A 4/1977 Mendillo  
4,120,437 A 10/1978 Hara  
4,463,885 A 8/1984 Ball et al.  
4,483,470 A 11/1984 Cousins  
4,484,378 A 11/1984 Kimura et al.  
4,488,748 A 12/1984 Burkes  
4,531,661 A 7/1985 Santy  
4,540,006 A 9/1985 Collis  
4,553,779 A 11/1985 Shortridge  
4,641,454 A 2/1987 Ray et al.  
4,648,414 A 3/1987 Fox et al.  
4,666,417 A 5/1987 Hillman  
4,753,355 A 6/1988 Hall et al.  
4,761,053 A 8/1988 Cogelia et al.  
4,817,837 A 4/1989 Grover

(Continued)

**Related U.S. Application Data**

(63) Continuation-in-part of application No. 13/196,762, filed on Aug. 2, 2011.  
(51) **LOC (9) Cl.** ..... **14-03**  
(52) **U.S. Cl.** ..... **D14/250**  
(58) **Field of Classification Search** ..... D14/250–253, D14/440, 203.3–203.7, 217, 496, 248, 238.1, D14/240, 447; D3/201, 218, 269, 301, 273, D3/303, 103, 247; D13/103, 107–108, 119; 220/4.02; 248/309.1, 371, 176.3, 668; 361/679.56, 361/679.3, 679.25, 816; 379/426, 433.11, 379/455; 455/575.1, 575.8; 206/305, 320; D6/300, 310, 311, 312; 345/173  
See application file for complete search history.

**References Cited**

**U.S. PATENT DOCUMENTS**

2,118,875 A 5/1938 Windheim  
2,530,695 A 11/1950 Helmert  
2,542,601 A 2/1951 Van Cleef  
3,214,309 A \* 10/1965 Di Leo et al. .... 216/9  
3,257,054 A 6/1966 Miesel  
3,426,393 A 2/1969 Mead  
3,543,353 A 12/1970 Meehan  
3,564,667 A 2/1971 Parrick, III et al.  
3,757,429 A 9/1973 Sumino  
3,768,711 A 10/1973 Wilkinson  
3,806,358 A 4/1974 Glander et al.  
3,947,927 A 4/1976 Rosenthal  
3,960,302 A 6/1976 Mazzoni, Jr.

**OTHER PUBLICATIONS**

Nite Ize Connect Case for iPhone, Published on Aug 17, 2012 by NiteIzeInc, <URL:http://www.youtube.com/watch?v=4LDiXufkDgY>, retrieved from internet on Nov. 14, 2012.\*

(Continued)

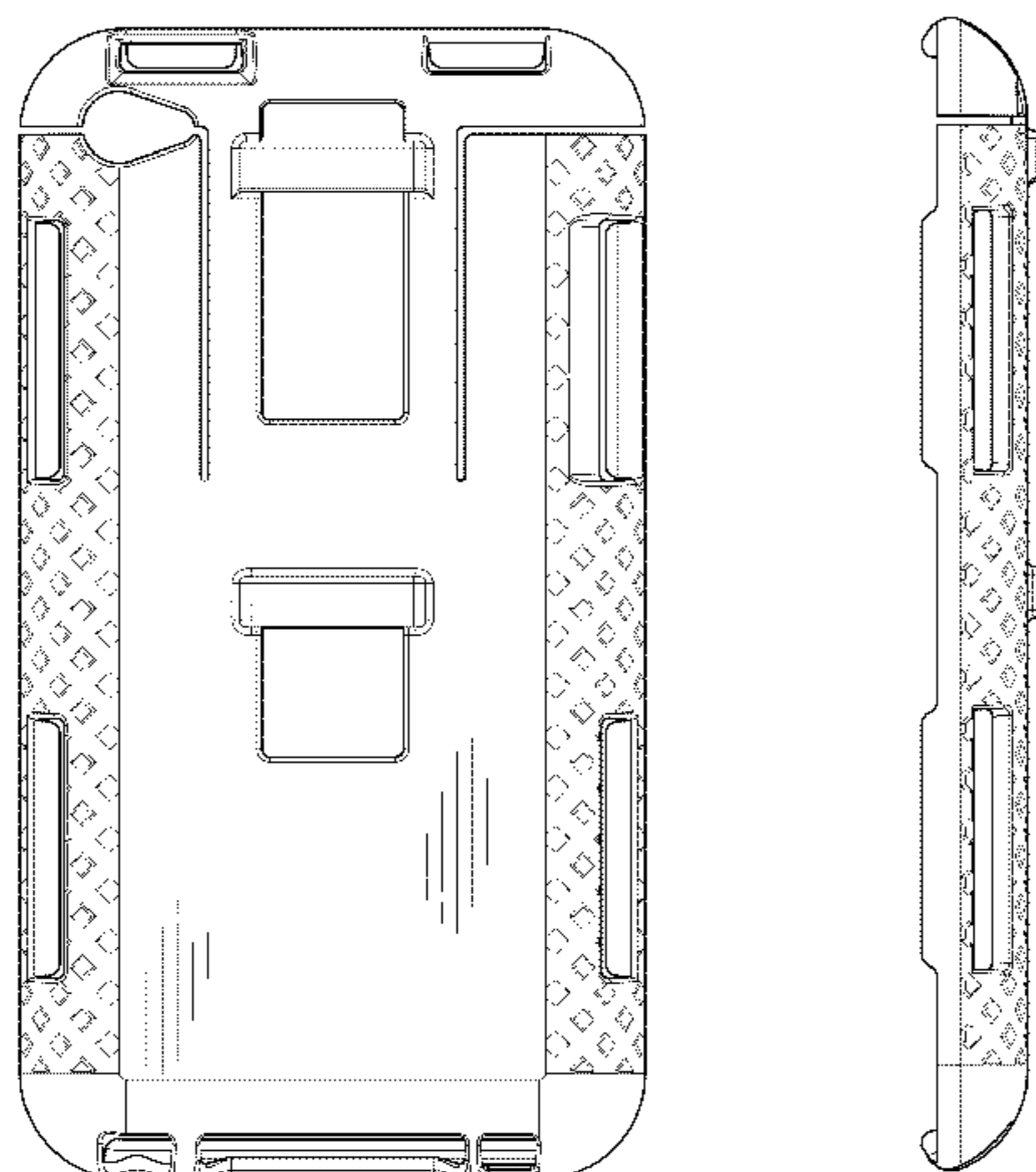
*Primary Examiner* — Carla Jobe Wright  
(74) *Attorney, Agent, or Firm* — Patton Boggs LLP

(57) **CLAIM**  
The ornamental design for a cantilevered snap fit case, as shown and described.

**DESCRIPTION**

FIG. 1 is a front perspective view of a cantilevered snap fit case;  
FIG. 2 is a back perspective view of the cantilevered snap fit case of FIG. 1;  
FIG. 3 is a front view of the cantilevered snap fit case of FIG. 1;  
FIG. 4 is a back view of the cantilevered snap fit case of FIG. 1;  
FIG. 5 is a left view of the cantilevered snap fit case;  
FIG. 6 is a right view of the cantilevered snap fit case of FIG. 1;  
FIG. 7 is a top view of the cantilevered snap fit case of FIG. 1; and,  
FIG. 8 is a bottom view of the cantilevered snap fit case of FIG. 1.

**1 Claim, 6 Drawing Sheets**



U.S. PATENT DOCUMENTS

4,834,118	A	5/1989	Goeller	
4,856,689	A	8/1989	Shore	
4,867,478	A	9/1989	Anderson	
4,915,996	A	4/1990	Curry	
D310,909	S	10/1990	Bradtl	
5,054,299	A	10/1991	Maveety	
5,056,820	A	10/1991	Des Prez	
5,104,017	A	4/1992	Vandagriff	
5,190,336	A	3/1993	Palz	
5,199,135	A	4/1993	Gold	
5,234,370	A	8/1993	Shapero et al.	
5,310,376	A	5/1994	Mayuzumi et al.	
5,437,401	A	8/1995	Seltzer	
5,468,036	A	11/1995	Brown	
5,498,190	A	3/1996	Ganson	
5,590,422	A	1/1997	Henderson	
D379,542	S	5/1997	Egashira	
5,664,589	A	9/1997	Black	
5,711,143	A	1/1998	Munakata et al.	
5,714,211	A	2/1998	Zinbarg et al.	
5,769,994	A	6/1998	Booz et al.	
D399,021	S	9/1998	Lam	
5,853,212	A	12/1998	Daniel	
5,916,006	A	6/1999	Ganson	
D425,226	S	5/2000	Galli	
6,113,170	A	9/2000	Daniel	
6,114,036	A	9/2000	Rinehart et al.	
6,206,542	B1	3/2001	Case et al.	
6,237,740	B1	5/2001	Weatherall et al.	
6,332,052	B1	12/2001	Luther et al.	
D455,815	S *	4/2002	Bonzer	D23/213
6,372,344	B1	4/2002	Castellani et al.	
6,478,282	B1	11/2002	Flemming	
6,848,663	B2	2/2005	Olive	
7,011,879	B1	3/2006	Contreras et al.	
D531,339	S	10/2006	Lee et al.	
7,123,801	B2	10/2006	Fitz	
D536,116	S	1/2007	Sharrah	
7,192,069	B1	3/2007	Daniel	
7,250,213	B2	7/2007	Duncan	
7,357,540	B2	4/2008	Booty, Jr.	
7,377,828	B2	5/2008	Cheung	
D574,819	S	8/2008	Andre et al.	
D588,735	S	3/2009	Woodard	
D592,341	S	5/2009	Fan	
D593,750	S *	6/2009	Song	D3/269
D597,298	S *	8/2009	Lown et al.	D3/202
D600,852	S	9/2009	Clepper et al.	
D603,603	S *	11/2009	Laine et al.	D3/218
D606,311	S *	12/2009	Lown et al.	D3/303
D606,739	S	12/2009	Fahrendorff et al.	
D609,226	S *	2/2010	Hofer et al.	D14/248
D609,460	S	2/2010	Riccardi	
D609,853	S	2/2010	Salatto-Rose	
D610,135	S *	2/2010	Hofer et al.	D14/248
7,683,275	B2	3/2010	Moore et al.	
D613,498	S	4/2010	Tsai	
D614,402	S *	4/2010	Lown et al.	D3/303
D615,078	S *	5/2010	Bradley	D14/250
D619,361	S *	7/2010	Andre et al.	D3/269
D620,931	S *	8/2010	Opman	D14/250

D622,429	S	8/2010	Jones	
D623,180	S	9/2010	Diebel	
D625,303	S *	10/2010	Kim	D14/250
D628,534	S	12/2010	Daniel	
D635,555	S *	4/2011	Giles	D14/217
D638,005	S	5/2011	Richardson et al.	
D638,828	S *	5/2011	Melanson et al.	D14/250
7,980,435	B2	7/2011	Tages	
D643,029	S	8/2011	Feng	
D644,168	S	8/2011	Bishay et al.	
D644,428	S	9/2011	Feng	
8,033,678	B2	10/2011	Patterson	
D648,332	S *	11/2011	Kim et al.	D14/248
D649,537	S *	11/2011	Magness et al.	D14/250
D649,539	S	11/2011	Hong	
D650,371	S *	12/2011	Chen	D14/238.1
D651,204	S	12/2011	Wibby et al.	
D652,825	S *	1/2012	Bau	D14/238.1
D654,069	S *	2/2012	Kwon et al.	D14/250
D657,782	S *	4/2012	Biller	D14/250
D662,925	S	7/2012	Mayberry et al.	
D663,263	S	7/2012	Gupta et al.	
D663,725	S *	7/2012	Polito et al.	D14/250
D669,062	S	10/2012	Rothbaum et al.	
8,286,789	B2 *	10/2012	Wilson et al.	206/320
8,297,440	B2 *	10/2012	Schmidt et al.	206/320
D670,279	S	11/2012	Veltz et al.	
2002/0028336	A1	3/2002	Jaccoud	
2002/0118535	A1	8/2002	Nostrant	
2005/0093205	A1	5/2005	Martin et al.	
2005/0211357	A1	9/2005	Ren	
2005/0274211	A1	12/2005	Edgman	
2008/0124544	A1	5/2008	Alexander et al.	
2008/0254281	A1	10/2008	Chen et al.	
2009/0000086	A1	1/2009	Bing	
2009/0095854	A1	4/2009	Forbes et al.	
2009/0140016	A1	6/2009	Case et al.	
2010/0224519	A1 *	9/2010	Kao	206/320

OTHER PUBLICATIONS

Cruzerlite Razr Maxx case review, posted on Oct. 3, 2012, <URL:<http://forums.androidcentral.com/droid-razr-maxx/213784-cruzerlite-razr-maxx-case-review.html>>, retrieved from internet on Nov. 14, 2012.\*

In the US Patent and Trademark Office U.S. Appl. No. 12/247,523 Non-Final Office Action dated Jan. 31, 2012, 7 pages.

In the US Patent and Trademark Office U.S. Appl. No. 12/247,523 Non-Final Office Action dated Jul. 13, 2011, 9 pages.

Acor, Acor present Volara 4E, Mar. 2, 2008; <http://acor.com/volara.htm>.

International Search Report dated Dec. 9, 2011, in related PCT Application No. PCT/US2011/046304, 3 pages.

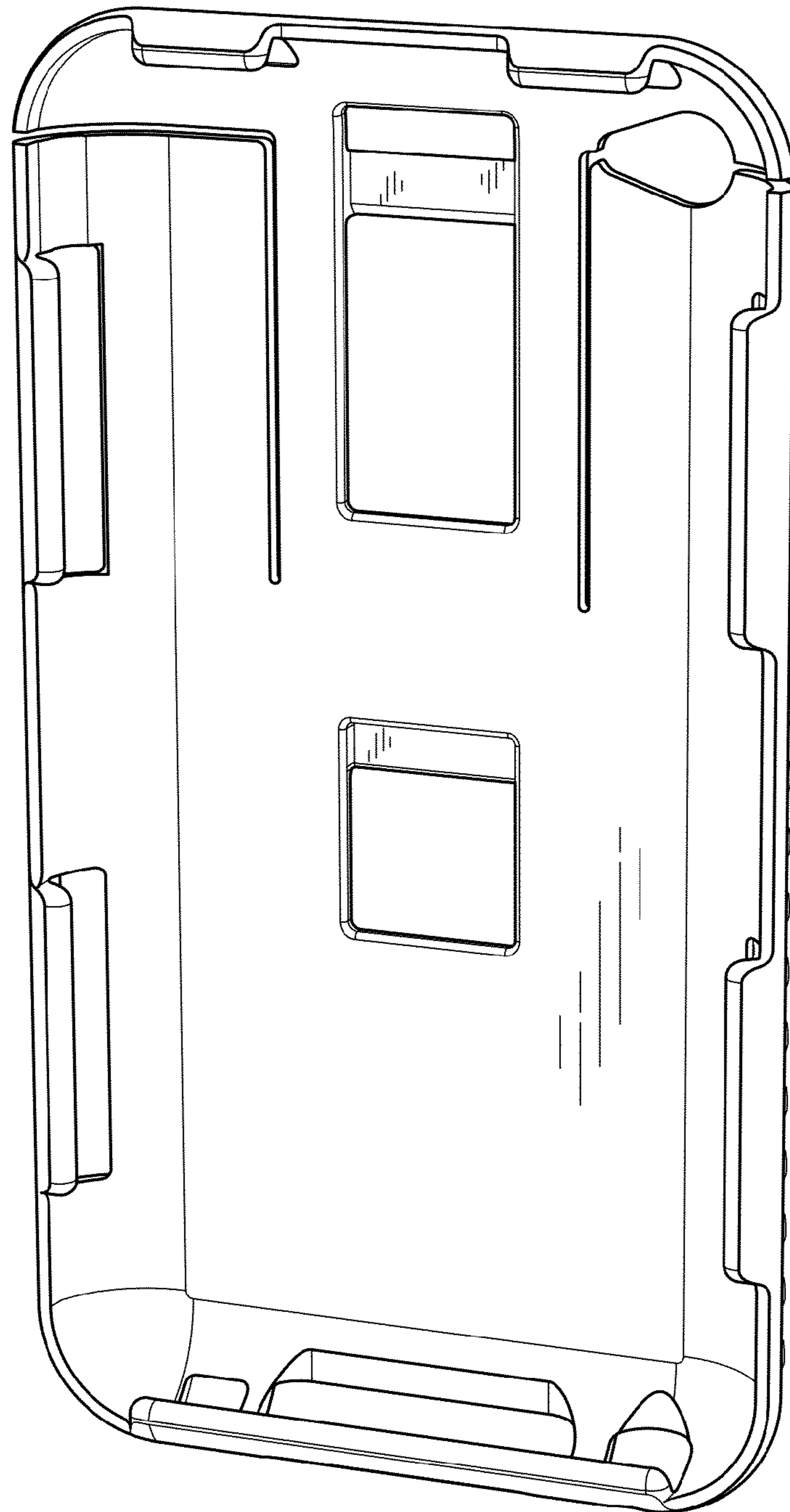
Web page illustration from web site illustrating Grip Twist lock and carry device; griptwist.com; Dakota Trading corporation, 2008.

Web page illustration from web site illustrating reusable silicone coated Sili Twists; [www.wrapables.com](http://www.wrapables.com); Wrapables, 2008.

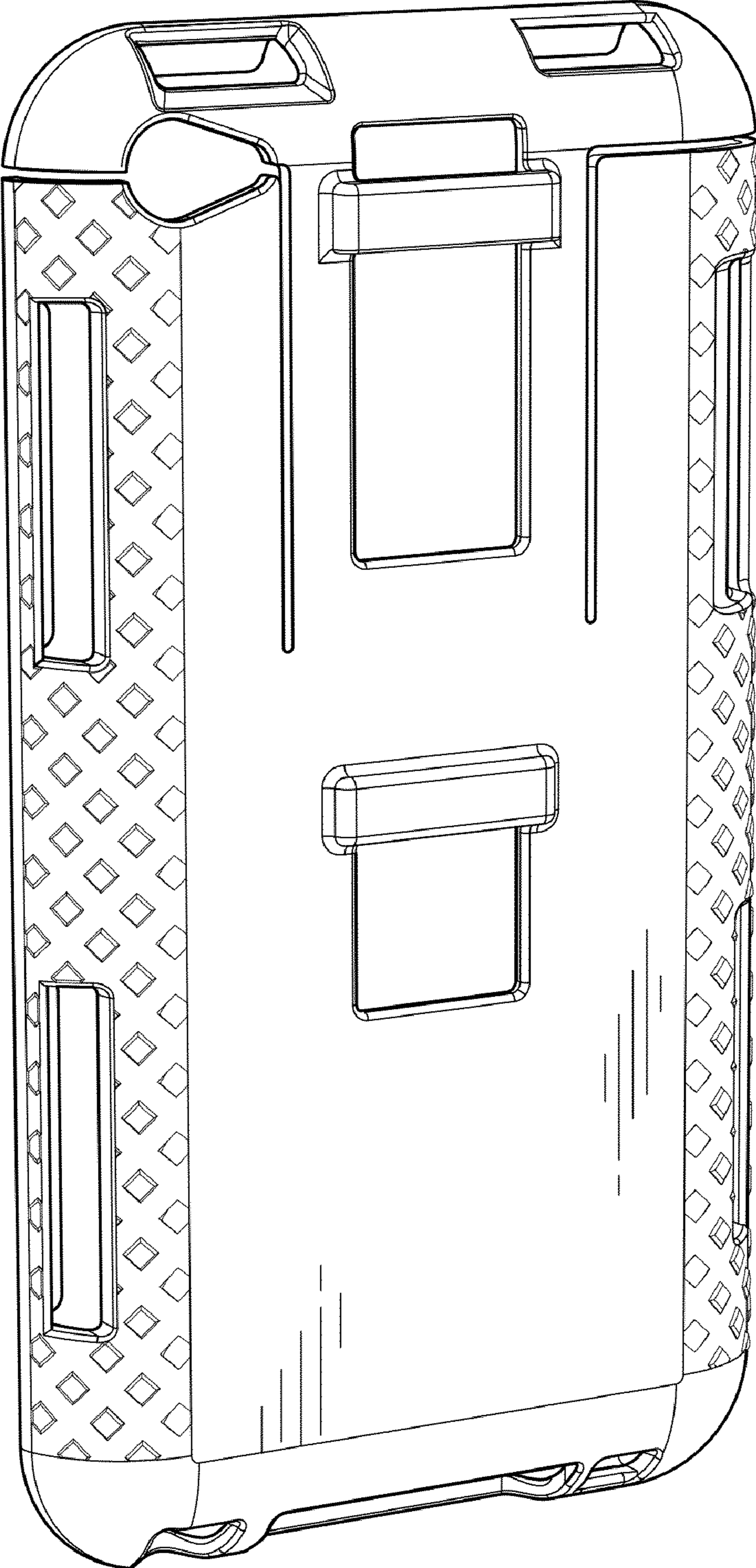
In the US Patent Trademark Office U.S. Appl. No. 12/247,523 Final Office Action dated Aug. 16, 2012, 11 pages.

\* cited by examiner

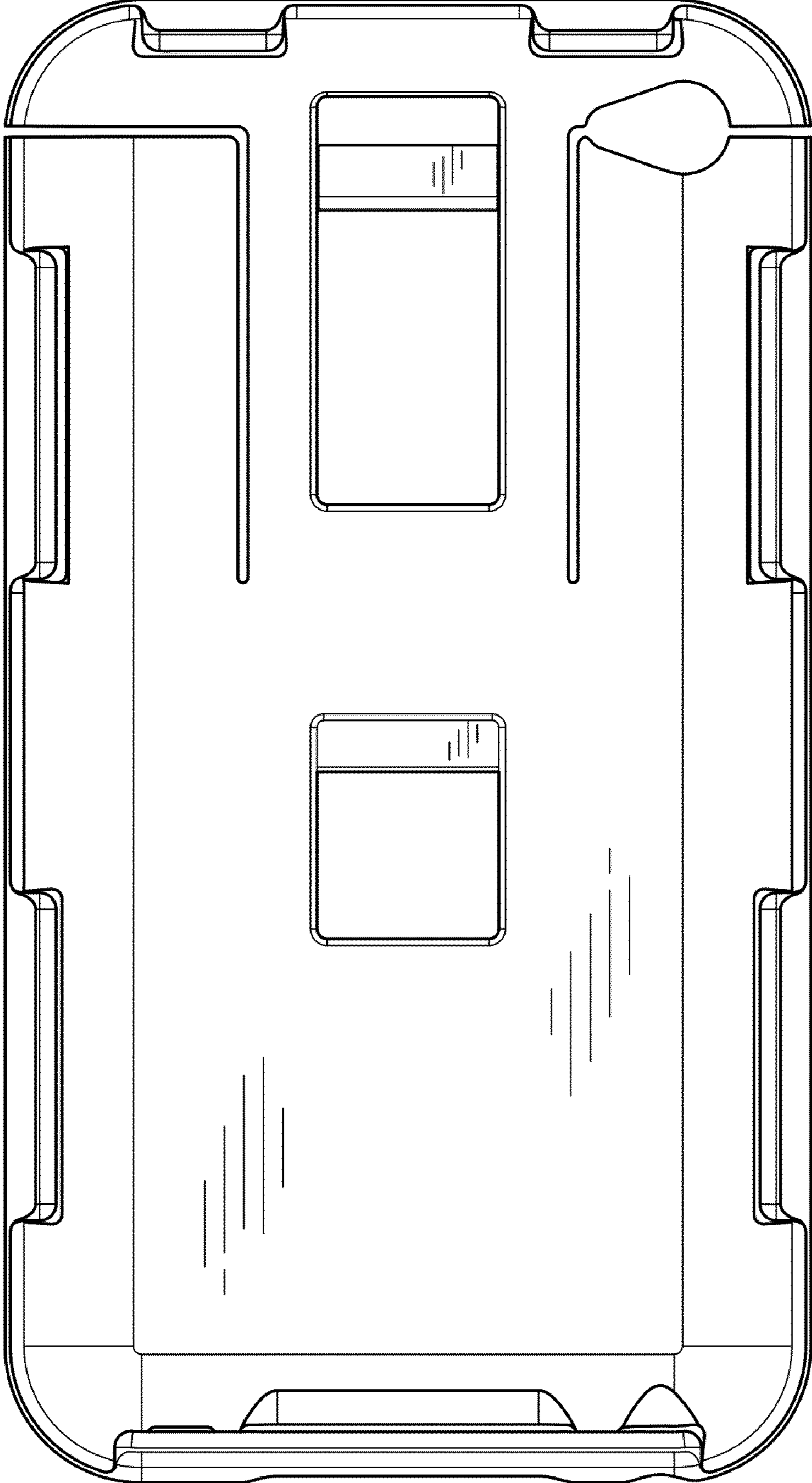
**FIG. 1**



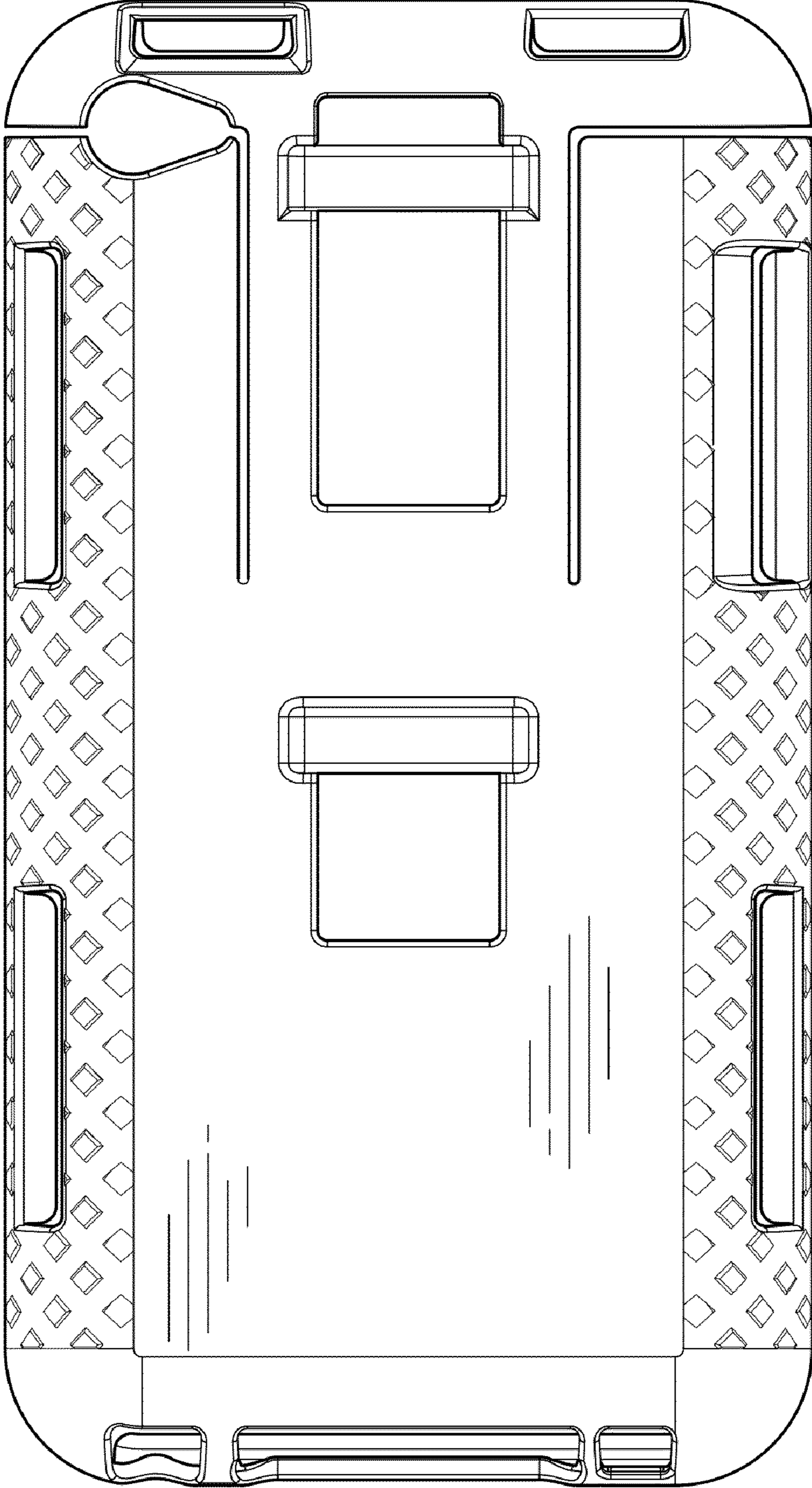
**FIG. 2**



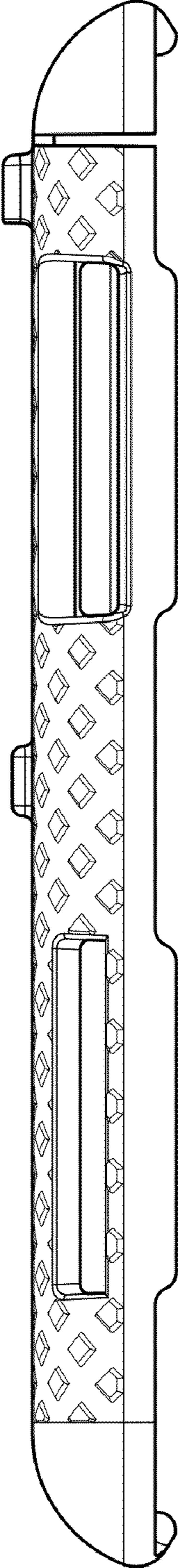
**FIG. 3**



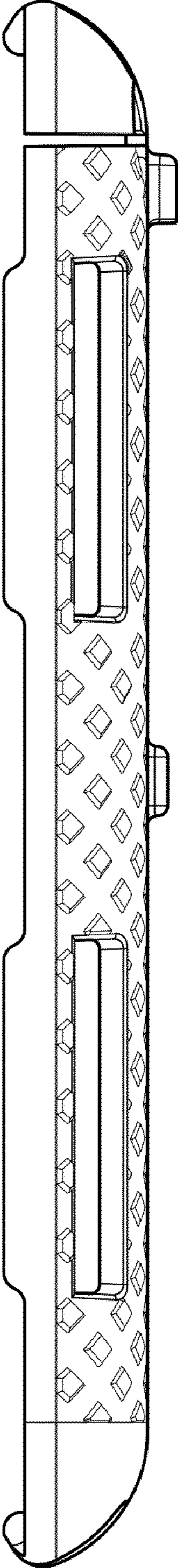
**FIG. 4**



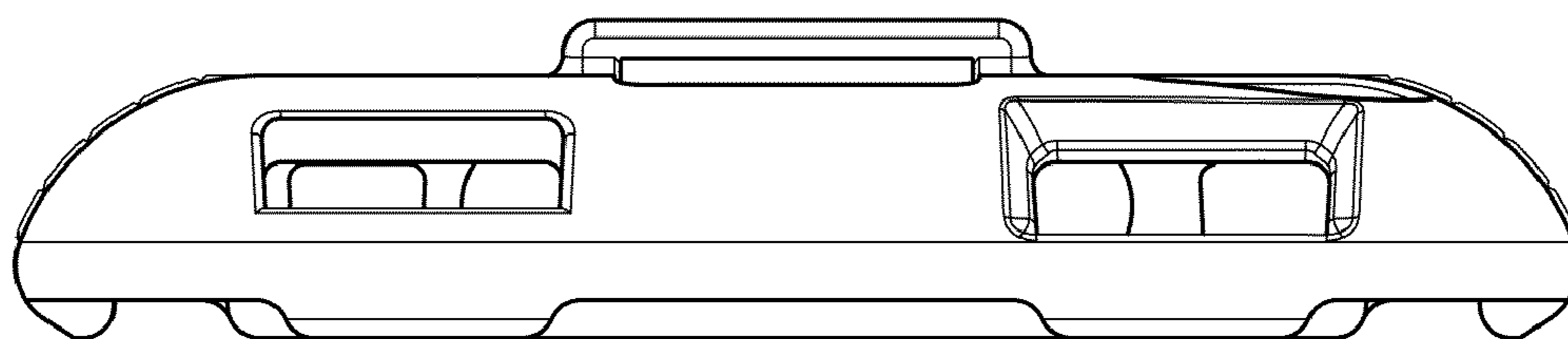
**FIG. 5**



**FIG. 6**



**FIG. 7**



**FIG. 8**

