



US00D675602S

(12) **United States Design Patent**  
**Ikeda et al.**

(10) **Patent No.:** **US D675,602 S**  
(45) **Date of Patent:** **\*\* Feb. 5, 2013**

(54) **TRANSCEIVER ASSEMBLY**  
(75) Inventors: **Yuji Ikeda**, Los Angeles, CA (US);  
**Avery Holleman**, Long Beach, CA (US);  
**Thorben Neu**, Los Angeles, CA (US);  
**Ernesto Victor Quinteros**, Los Angeles,  
CA (US); **Oliver Duncan Seil**, Pasadena,  
CA (US)  
(73) Assignee: **Belkin International, Inc.**, Playa Vista,  
CA (US)

7,594,632 B2 \* 9/2009 Van Den Bossche  
et al. .... 248/309.1  
D605,643 S \* 12/2009 Landry et al. .... D14/240  
D617,303 S \* 6/2010 Hasegawa et al. .... D14/149  
D619,558 S \* 7/2010 Seil et al. .... D14/155  
D622,711 S \* 8/2010 Landry et al. .... D14/240  
D624,898 S \* 10/2010 Hasegawa et al. .... D14/149  
D628,573 S \* 12/2010 Wang ..... D14/356  
D635,118 S \* 3/2011 Nakajima et al. .... D14/149  
D638,426 S \* 5/2011 Ikeda et al. .... D14/358  
D643,398 S \* 8/2011 Zakarias et al. .... D14/148  
D649,945 S \* 12/2011 Kim et al. .... D14/125  
2011/0232077 A1 \* 9/2011 Mori et al. .... 29/592.1

(\*\*) Term: **14 Years**  
(21) Appl. No.: **29/387,063**  
(22) Filed: **Mar. 8, 2011**

**Related U.S. Application Data**

(63) Continuation-in-part of application No. 29/375,652,  
filed on Sep. 24, 2010, now Pat. No. Des. 638,426.  
(51) **LOC (9) Cl.** ..... **14-03**  
(52) **U.S. Cl.** ..... **D14/240; D14/358**  
(58) **Field of Classification Search** ..... D14/240,  
D14/242, 357, 358, 140-140.2, 140.5, 155,  
D14/137, 348, 349, 351, 354, 355; 375/222;  
455/557; 709/203, 217-250; 725/111  
See application file for complete search history.

(56) **References Cited**

**U.S. PATENT DOCUMENTS**

D359,042 S \* 6/1995 Tamura ..... D14/130  
D375,297 S \* 11/1996 Casarez et al. .... D14/358  
D385,878 S \* 11/1997 Flick ..... D14/155  
D386,104 S \* 11/1997 Nowak ..... D14/159  
D438,199 S \* 2/2001 Arpe ..... D14/240  
D460,443 S \* 7/2002 Brunner et al. .... D14/240  
D461,180 S \* 8/2002 Van Egmond et al. .... D14/240  
D469,074 S \* 1/2003 Muenscher et al. .... D14/149  
D472,538 S \* 4/2003 Chan ..... D14/149  
D528,979 S \* 9/2006 Franck et al. .... D13/108  
D530,325 S \* 10/2006 Kerila et al. .... D14/356  
D573,144 S \* 7/2008 Lin ..... D14/358  
D585,395 S \* 1/2009 Cho et al. .... D14/125  
D596,611 S \* 7/2009 Hasegawa et al. .... D14/149

**OTHER PUBLICATIONS**

Picture (NPL1): Ooma Voice Over Internet Protocol Telephone; 1  
page.  
Picture (NPL2): Ooma Voice Over Internet Protocol Telephone; 1  
page.  
Picture (NPL3): Ooma Voice Over Internet Protocol Telephone; 1  
page.  
\* cited by examiner

*Primary Examiner* — Bridget L Eland  
(74) *Attorney, Agent, or Firm* — Bryan Cave LLP

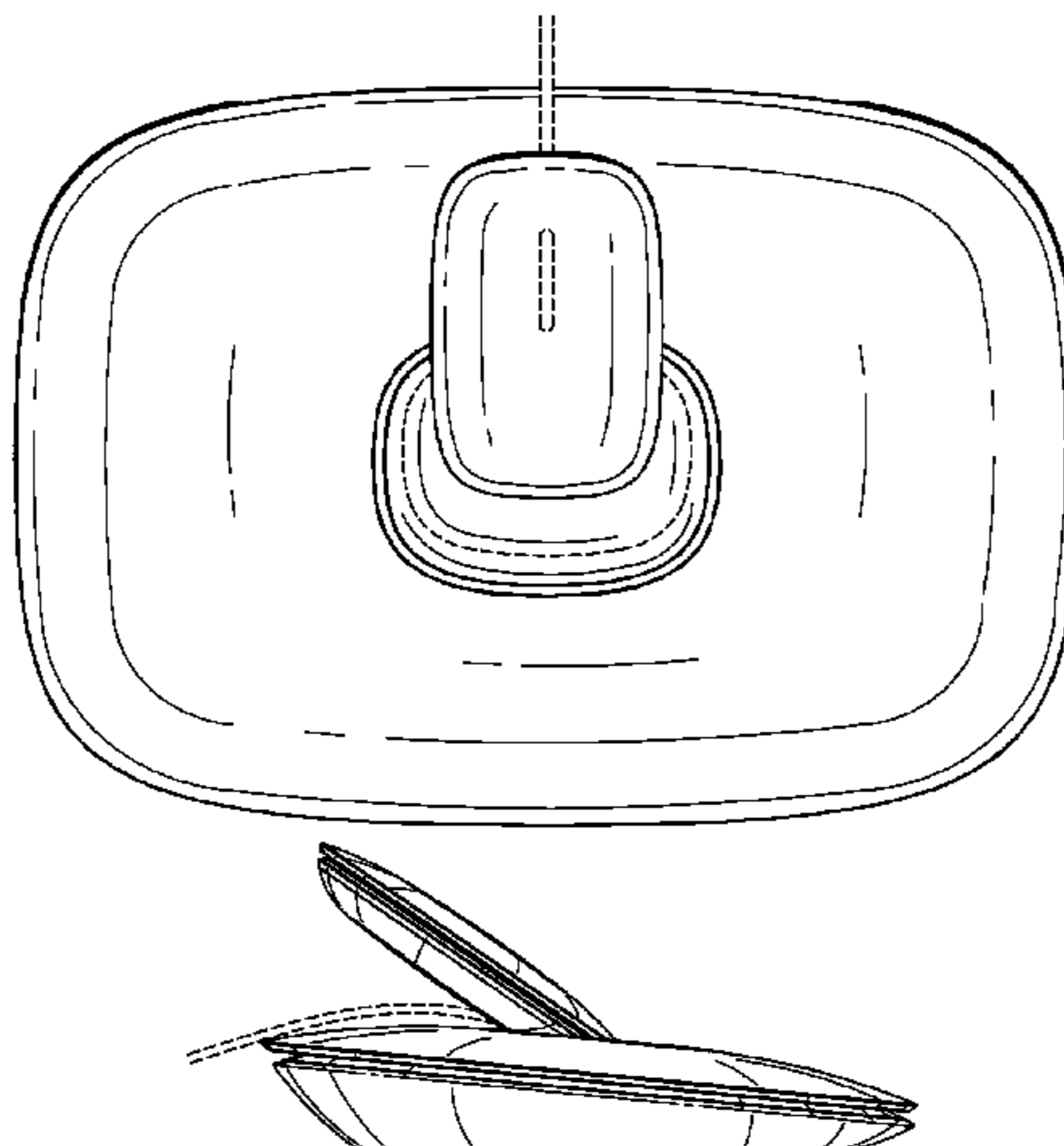
(57) **CLAIM**

The ornamental design for a transceiver assembly, as shown  
and described.

**DESCRIPTION**

FIG. 1 is a front, top, left side isometric view of the transceiver  
assembly;  
FIG. 2 is a top view thereof;  
FIG. 3 is a front view thereof;  
FIG. 4 is a left side view thereof;  
FIG. 5 is a right side view thereof;  
FIG. 6 is a back view thereof;  
FIG. 7 is a back, bottom, right side isometric view thereof;  
and,  
FIG. 8 is a bottom view thereof.  
The evenly dashed broken lines immediately adjacent the  
shaded areas represent the bounds of the claimed design  
while all other evenly dashed broken lines are directed to  
environment and are for illustrative purposes only; the evenly  
dashed broken lines form no part of the claimed design.

**1 Claim, 4 Drawing Sheets**



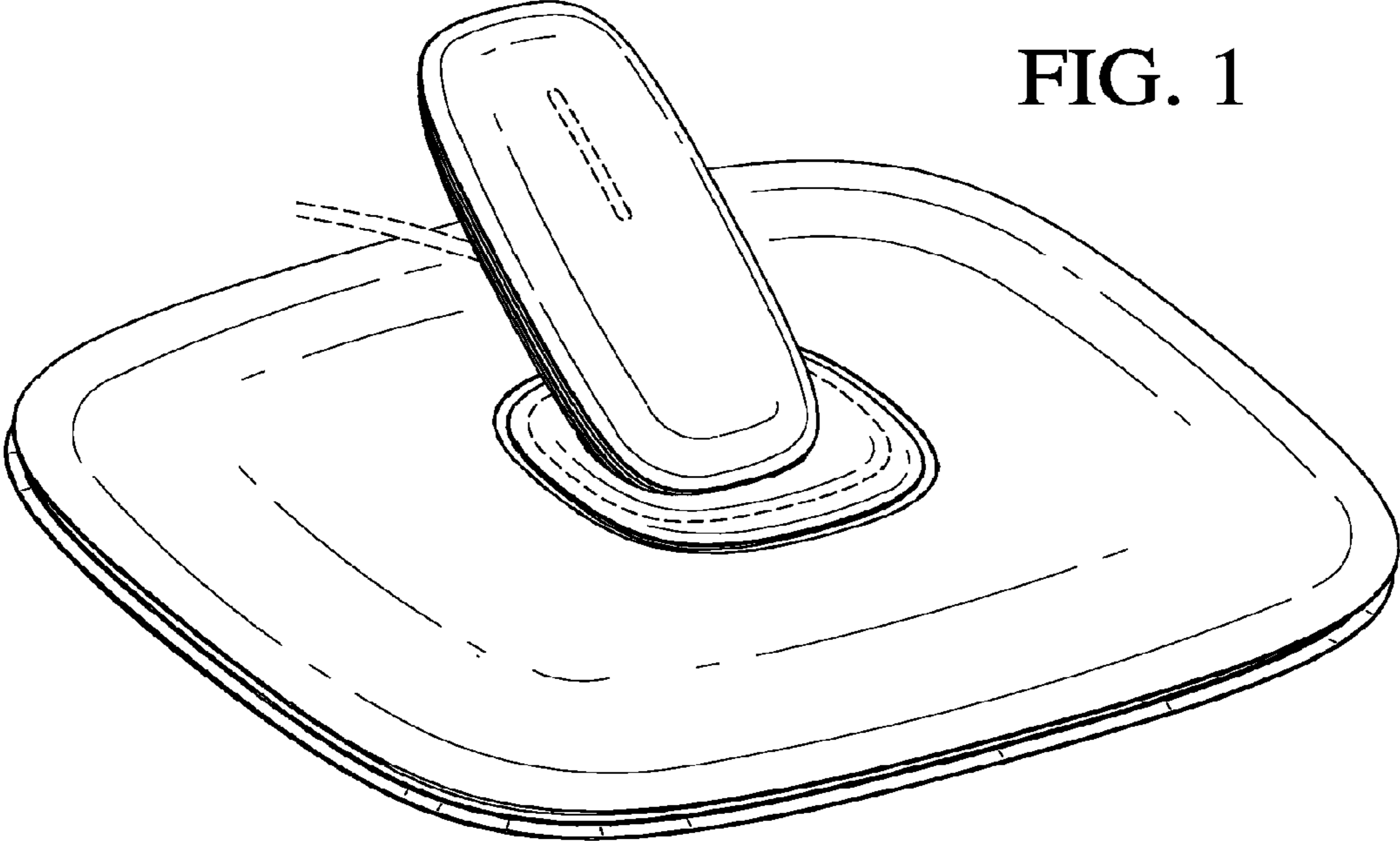
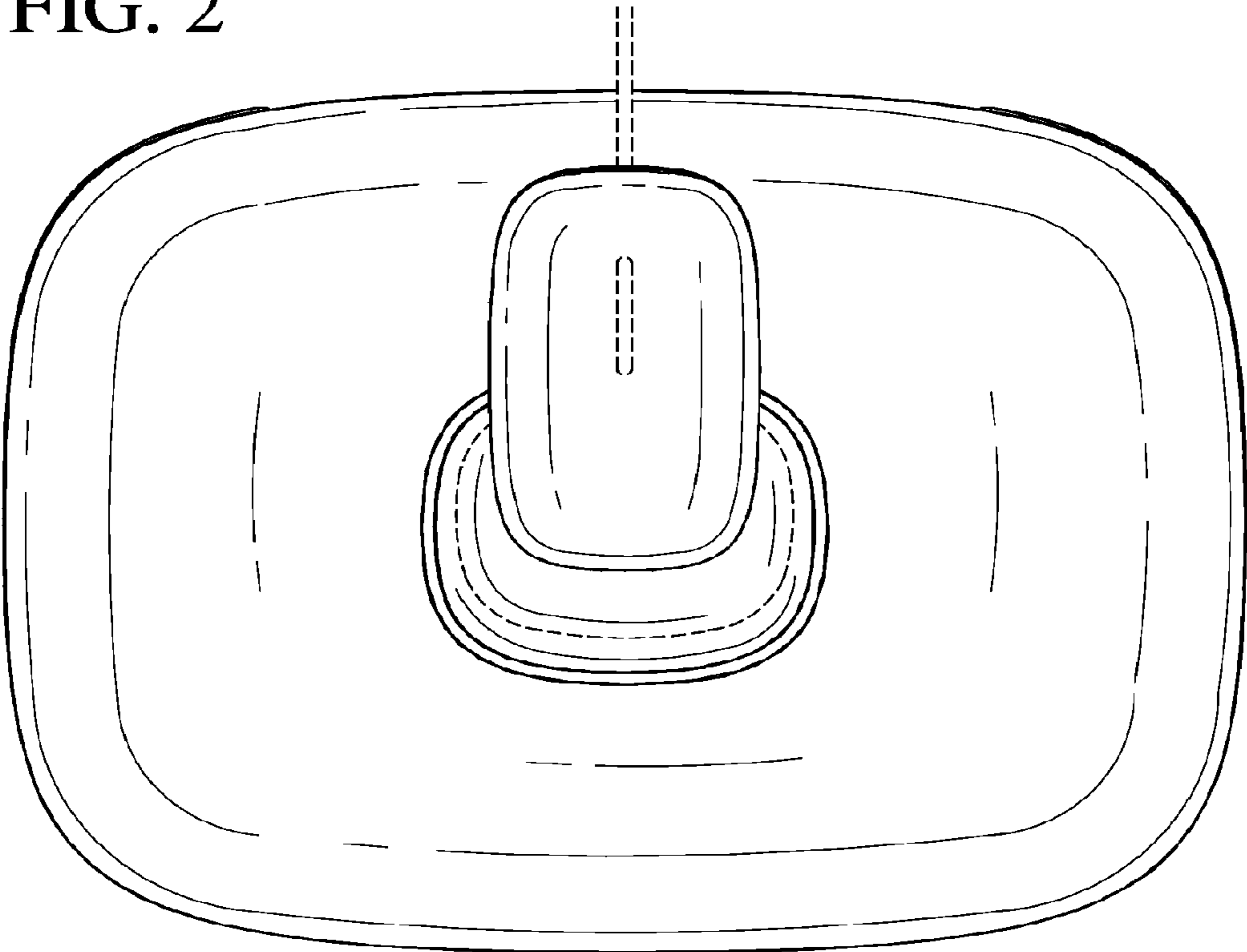


FIG. 2



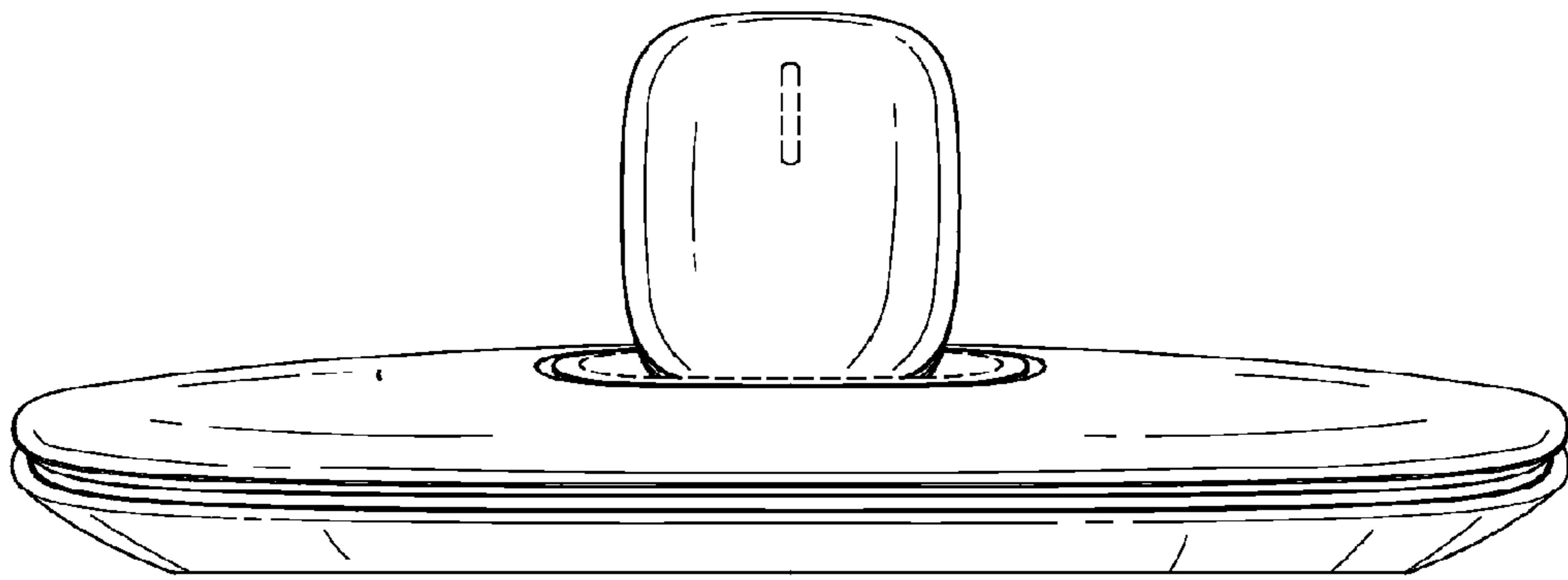


FIG. 3

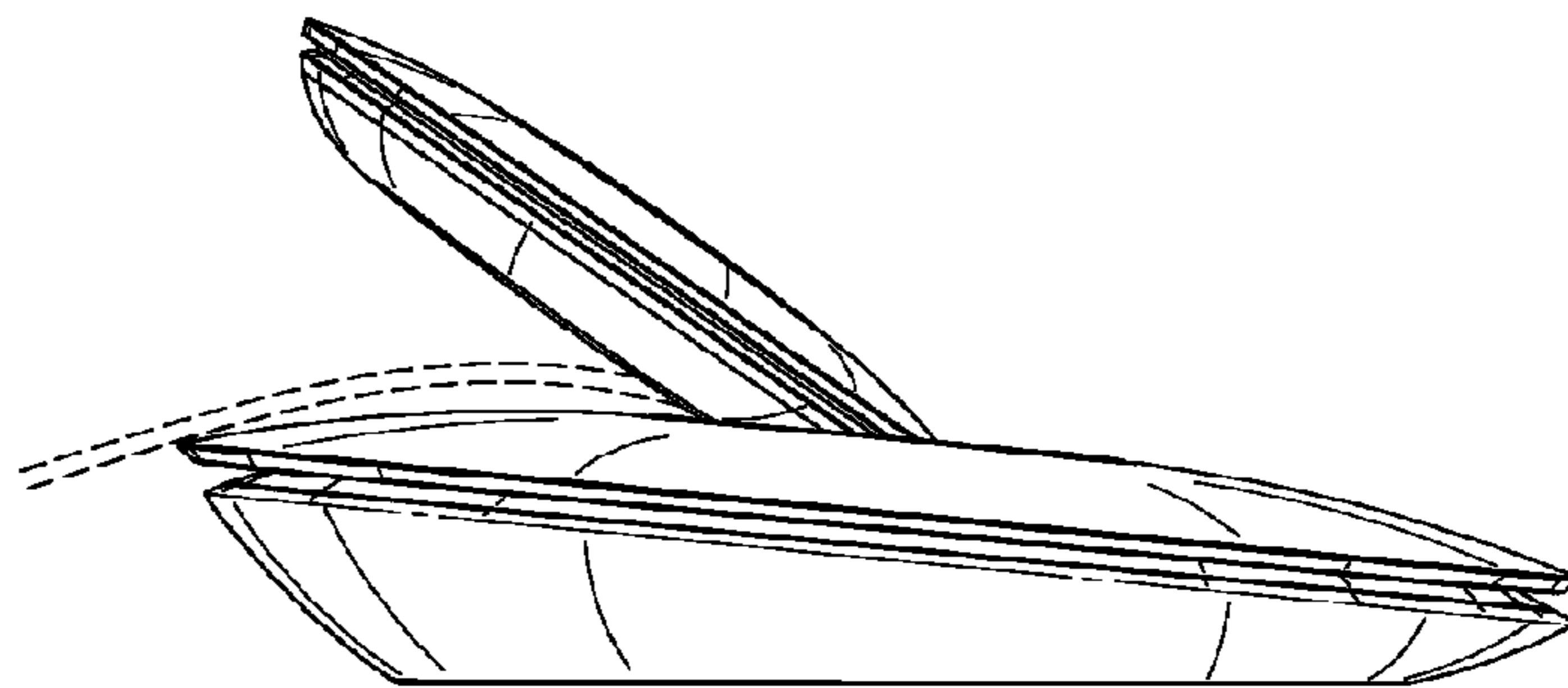


FIG. 4

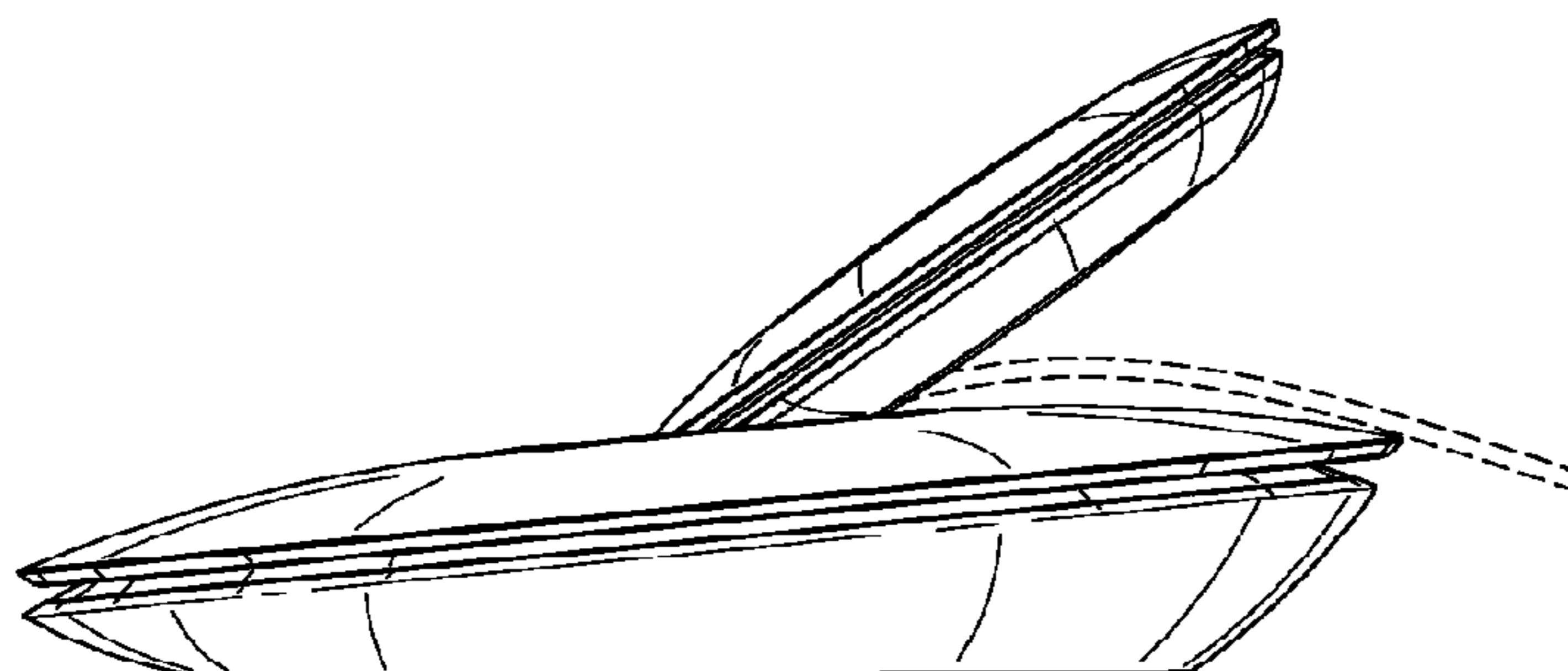


FIG. 5

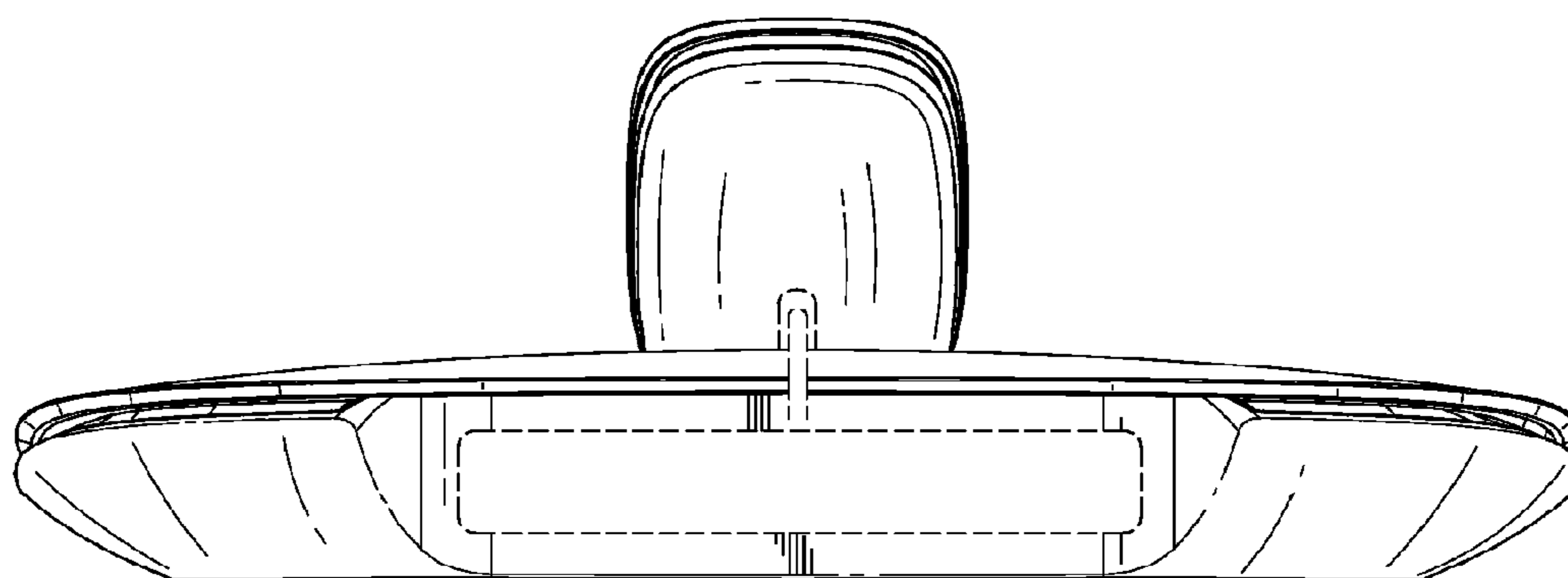


FIG. 6

FIG. 7

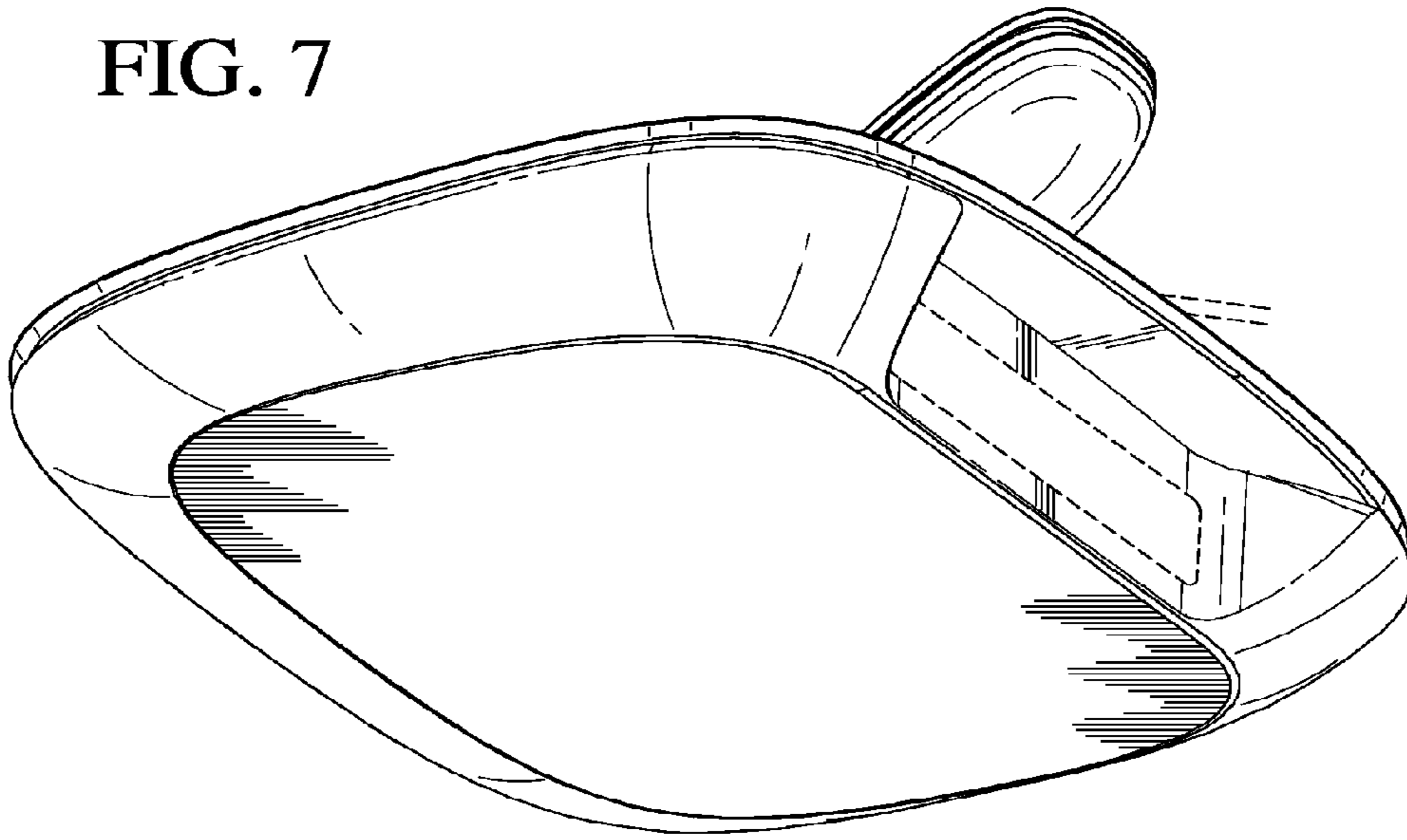


FIG. 8

