



US00D675600S

(12) **United States Design Patent**
Koch

(10) **Patent No.:** **US D675,600 S**

(45) **Date of Patent:** **** Feb. 5, 2013**

(54) **COMMUNICATIONS HEADSET**
(75) Inventor: **Christophe Koch**, Santa Cruz, CA (US)
(73) Assignee: **Plantronics, Inc.**, Santa Cruz, CA (US)
(**) Term: **14 Years**
(21) Appl. No.: **29/413,552**

7,616,760	B2	*	11/2009	Trip et al.	379/430
D609,695	S	*	2/2010	Cigliano et al.	D14/205
D628,194	S	*	11/2010	Koch	D14/223
D634,300	S	*	3/2011	Yang et al.	D14/206
D640,242	S	*	6/2011	Fahrendorff et al.	D14/223
D643,420	S	*	8/2011	Huang	D14/223
D649,957	S	*	12/2011	Fahrendorff et al.	D14/223
D656,490	S	*	3/2012	Birger	D14/223
D657,781	S	*	4/2012	Yang	D14/223
D664,125	S	*	7/2012	Koch et al.	D14/223

* cited by examiner

(22) Filed: **Feb. 16, 2012**
(51) **LOC (9) Cl.** **14-01**
(52) **U.S. Cl.** **D14/223**
(58) **Field of Classification Search** D14/205,
D14/206, 223, 188; 181/129, 130, 135; 381/380,
381/381, 375; 379/430, 431; D24/174; 455/90.3,
455/575.1, 575.2

Primary Examiner — Paula Greene

(74) *Attorney, Agent, or Firm* — Michael D. Rodriguez

See application file for complete search history.

(57) **CLAIM**

The ornamental design for a communications headset, as shown and described.

DESCRIPTION

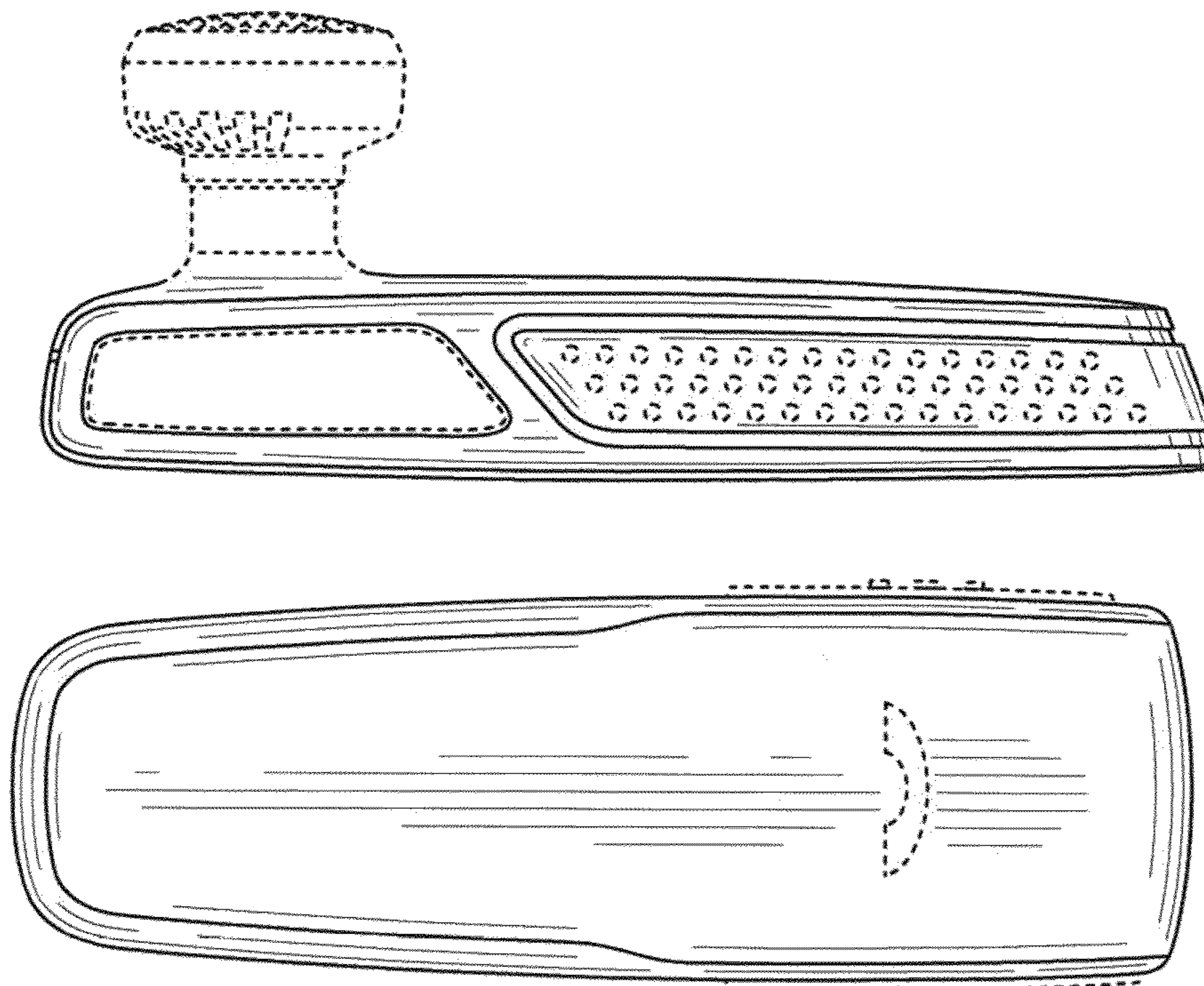
(56) **References Cited**

U.S. PATENT DOCUMENTS

D450,337	S	*	11/2001	Hamamura	D16/237
D511,770	S	*	11/2005	Chung	D14/480.5
D523,414	S	*	6/2006	Kobayashi	D14/188
D535,974	S	*	1/2007	Alwicker et al.	D14/188
D536,692	S	*	2/2007	Alwicker et al.	D14/188
D573,582	S	*	7/2008	Ma	D14/205
D573,983	S	*	7/2008	Bang et al.	D14/223
D581,396	S	*	11/2008	Wikel et al.	D14/206
D590,813	S	*	4/2009	Bradford et al.	D14/223
D596,166	S	*	7/2009	Henning	D14/223
D598,900	S	*	8/2009	Wikel et al.	D14/223
D603,378	S	*	11/2009	Paradise	D14/223
D604,722	S	*	11/2009	Mistry	D14/223

FIG. 1 is a front-top-right perspective view of a communications headset showing my new design;
FIG. 2 is a front-bottom-left perspective view thereof;
FIG. 3 is a front side view thereof;
FIG. 4 is a back side view thereof;
FIG. 5 is a top view thereof;
FIG. 6 is a bottom view thereof;
FIG. 7 is a left side view thereof; and,
FIG. 8 is right side view thereof.
The broken lines showing of the unclaimed environment forms no part of the claimed design.

1 Claim, 3 Drawing Sheets



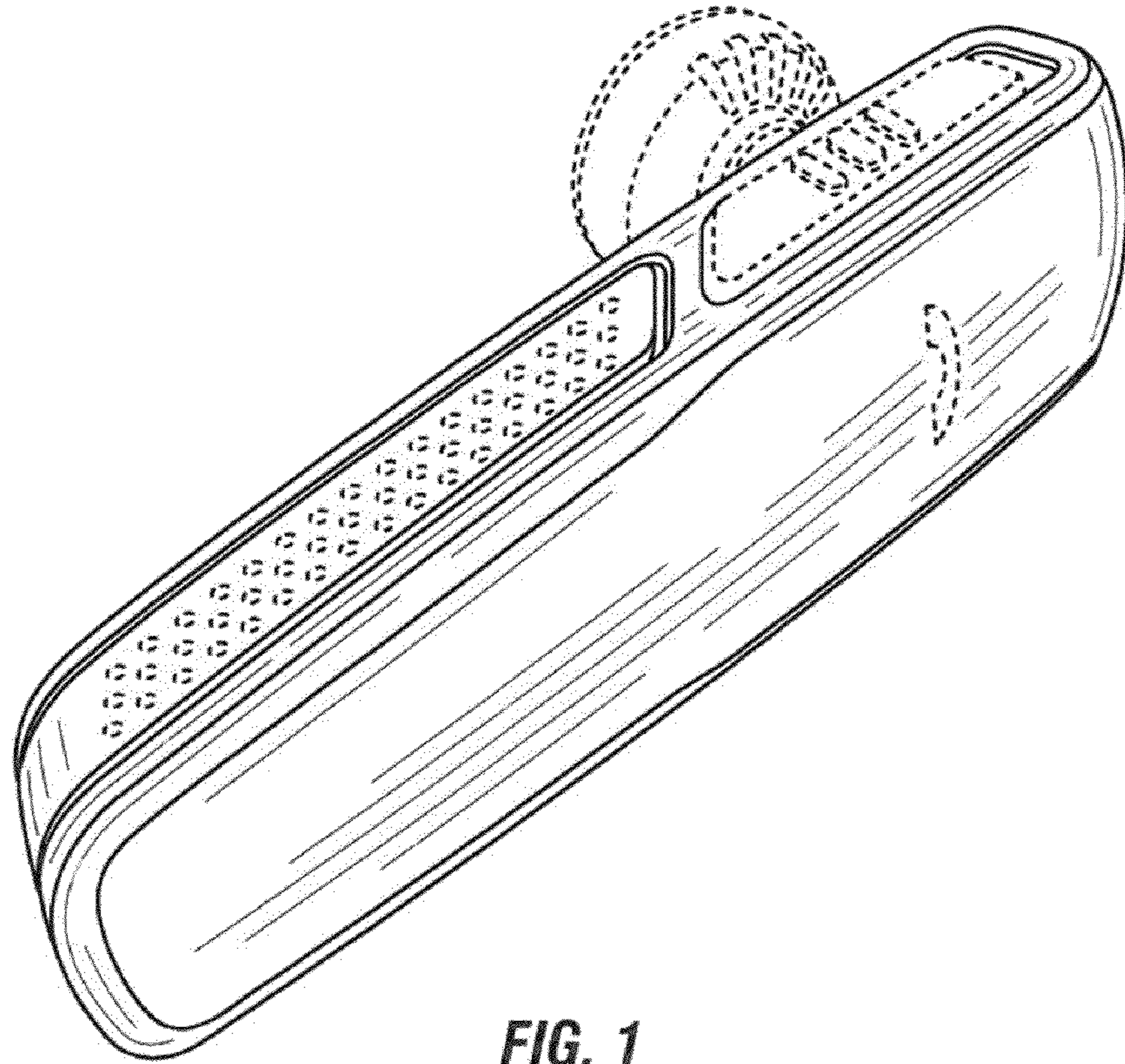


FIG. 1

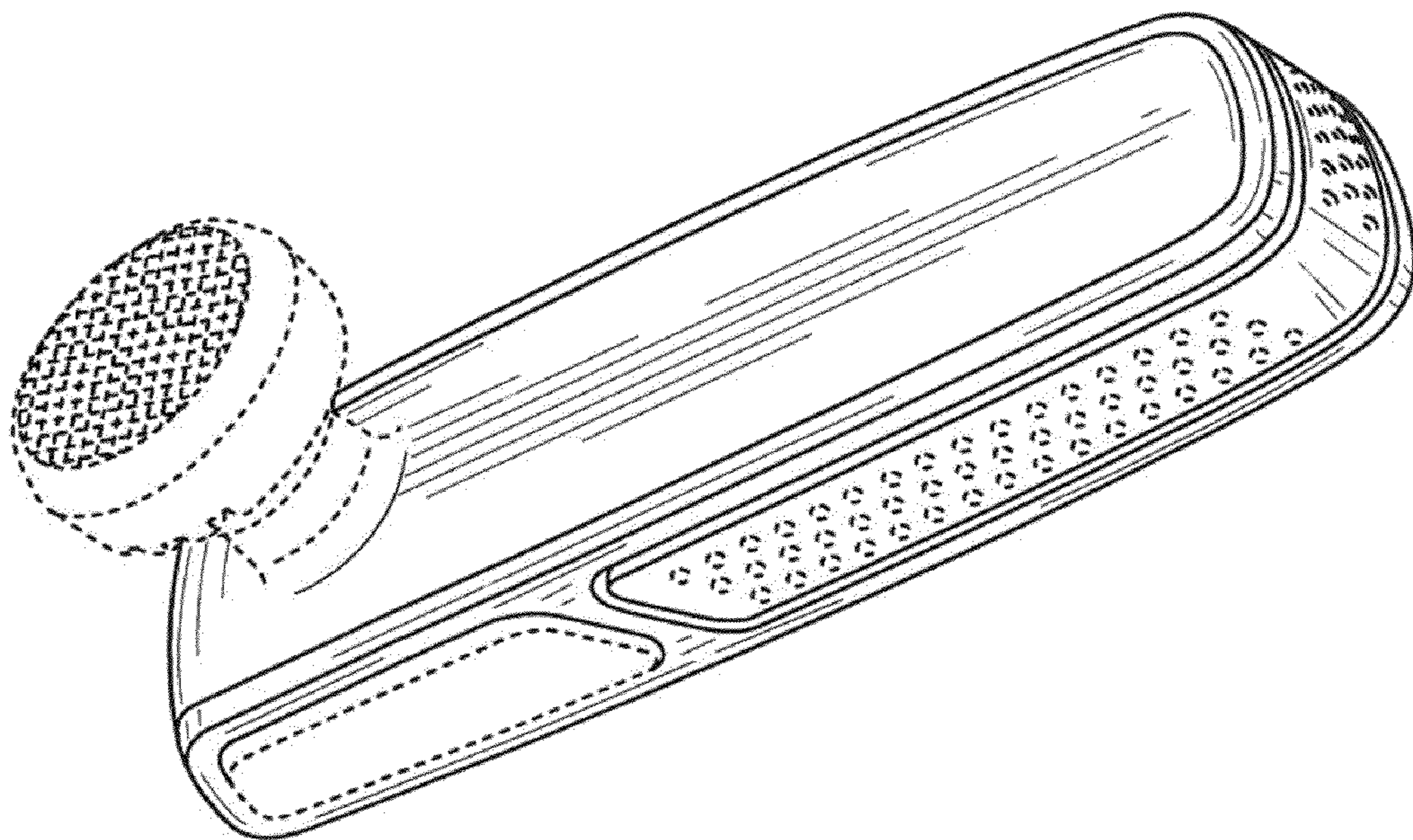


FIG. 2

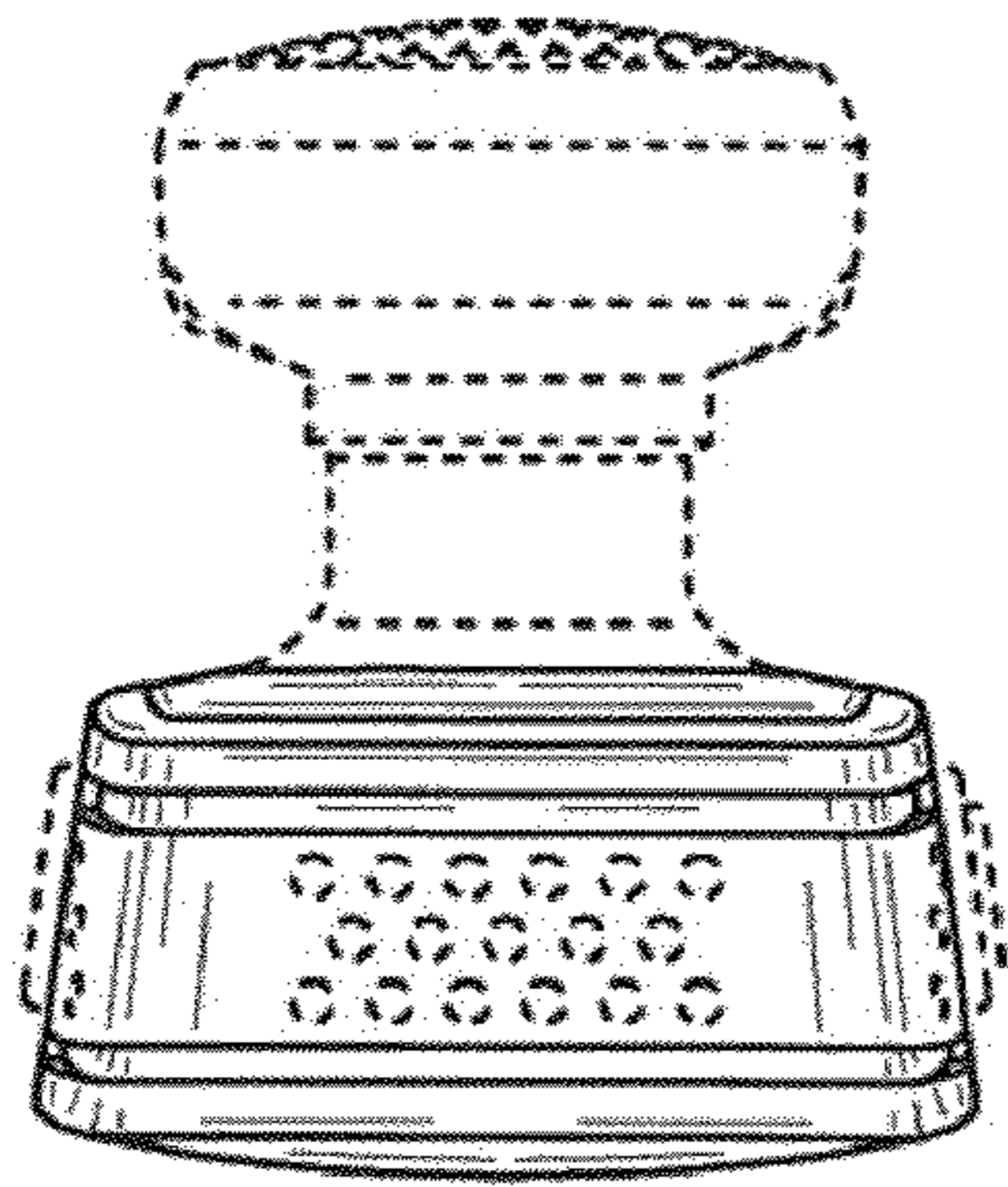


FIG. 3

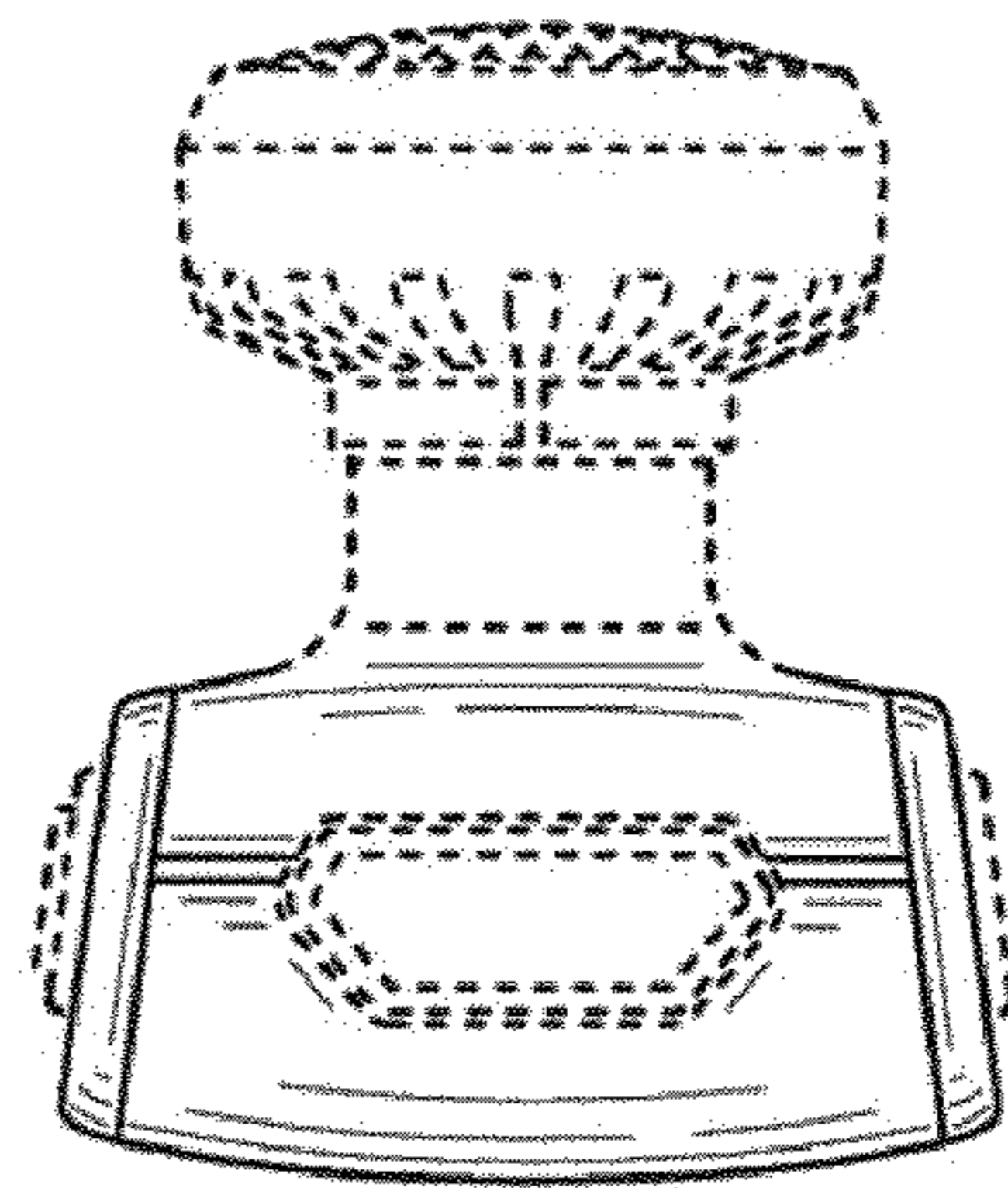


FIG. 4

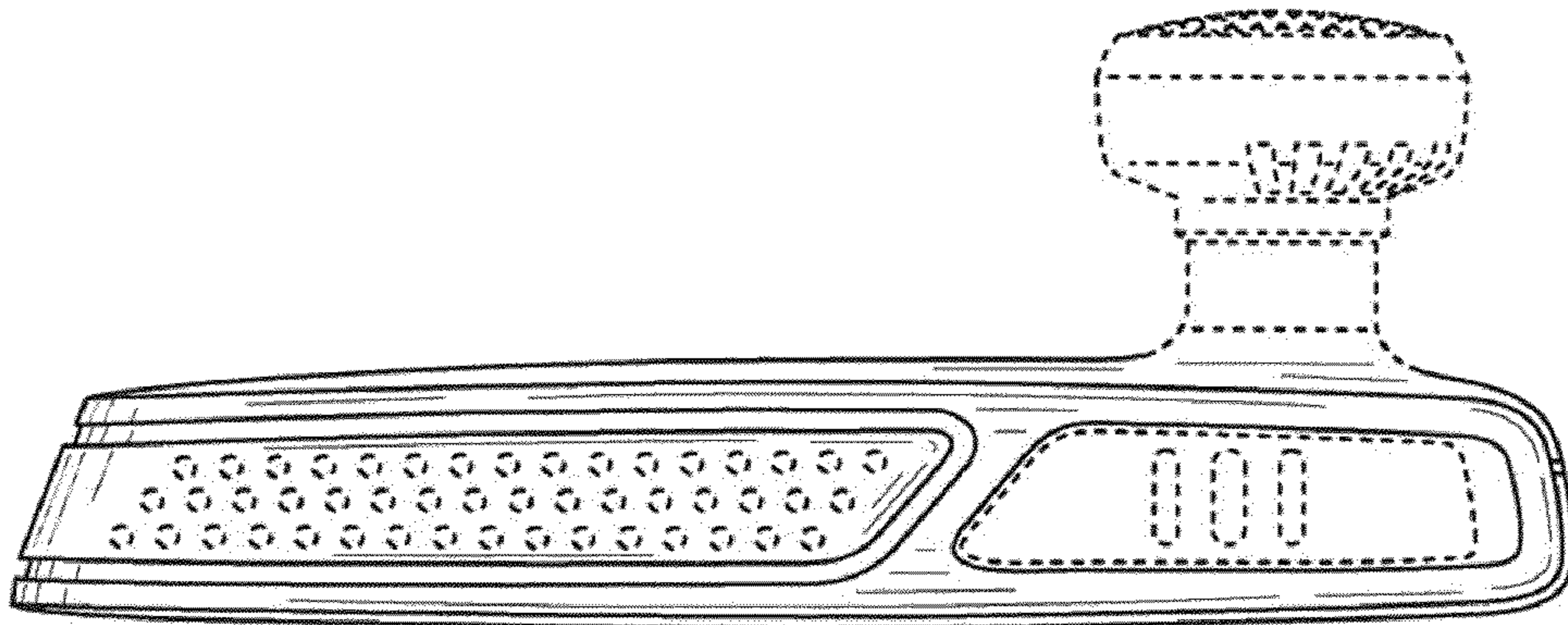


FIG. 5

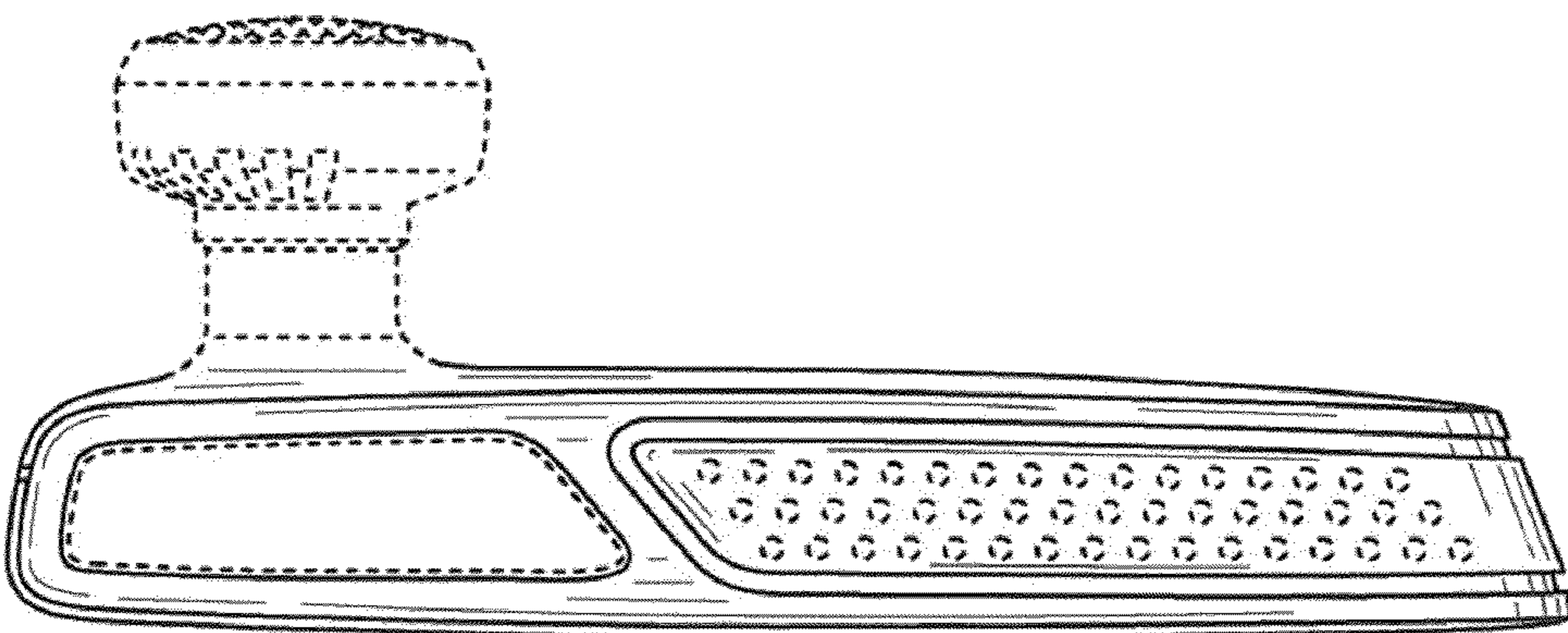


FIG. 6

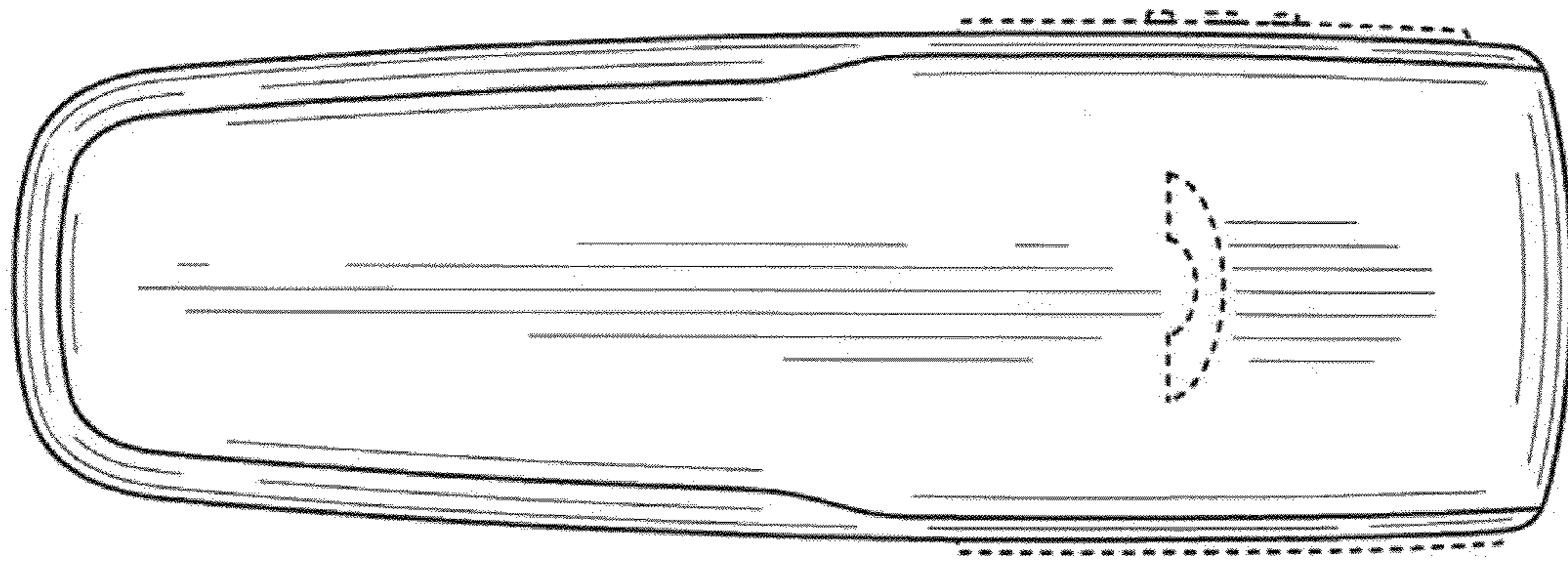


FIG. 7

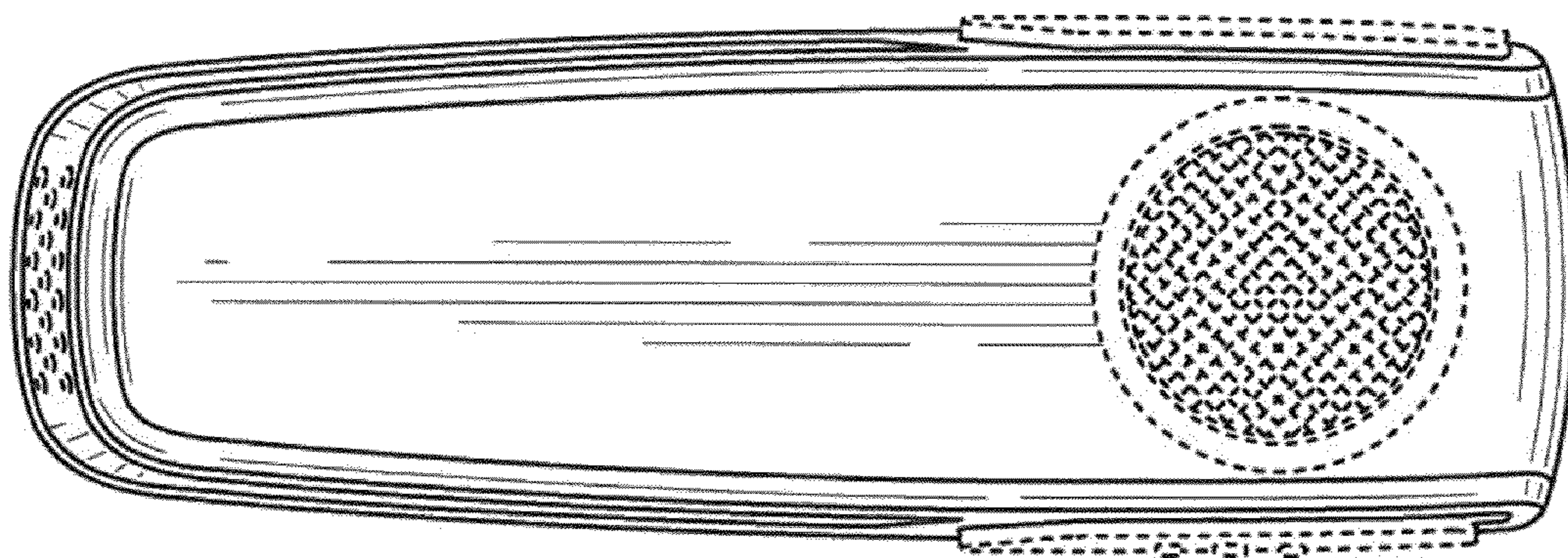


FIG. 8