



US00D675599S

(12) **United States Design Patent**
Kumagai et al.

(10) **Patent No.:** **US D675,599 S**
(45) **Date of Patent:** **** Feb. 5, 2013**

(54) **EARPHONE**

(75) Inventors: **Yoshiaki Kumagai**, Tokyo (JP); **Qi Zheng**, Tokyo (JP)

(73) Assignee: **Sony Corporation**, Tokyo (JP)

(**) Term: **14 Years**

(21) Appl. No.: **29/371,970**

(22) Filed: **Mar. 7, 2012**

D402,661 S	12/1998	Hayashi	
D431,553 S	10/2000	Suzuki	
D474,171 S	5/2003	Suzuki	
D485,548 S	1/2004	Obata	
D487,077 S	2/2004	Obata	
D539,268 S	3/2007	Suzuki	
D554,627 S	11/2007	Gondo	
D564,495 S *	3/2008	Sasaki D14/205

(Continued)

FOREIGN PATENT DOCUMENTS

JP	D1324695 S	3/2008
JP	D1324696 S	3/2008

(Continued)

Related U.S. Application Data

(60) Continuation-in-part of application No. 29/347,709, filed on Apr. 16, 2010, now Pat. No. Des. 635,558, and a division of application No. 29/371,441, filed on Feb. 28, 2011, now Pat. No. Des. 656,489.

(30) **Foreign Application Priority Data**

Mar. 5, 2010	(JP)	D2010-005310
Mar. 5, 2010	(JP)	D2010-005311
Aug. 31, 2010	(JP)	D2010-021065
Aug. 31, 2010	(JP)	D2010-021066
Sep. 3, 2010	(JP)	D2010-021426

(51) **LOC (9) Cl.** **14-01**
(52) **U.S. Cl.** **D14/223**
(58) **Field of Classification Search** D14/205,
D14/206, 223; 181/129, 130, 135; 379/430,
379/431, 420.04; 381/380, 381, 325; 455/90.3,
455/575.1; D24/174; 128/864, 865, 866
See application file for complete search history.

(56) **References Cited**

U.S. PATENT DOCUMENTS

660,739 A *	10/1900	Taylor	40/307
2,754,373 A *	7/1956	Shaper	381/371
2,961,108 A *	11/1960	Johnson	215/228
3,050,212 A *	8/1962	Longo	220/801
3,197,577 A *	7/1965	Kuklock	381/328
5,185,802 A *	2/1993	Stanton	381/328
D357,921 S	5/1995	Ming-Chin		
5,748,743 A *	5/1998	Weeks	381/328

OTHER PUBLICATIONS

Web page, "always listening, audio-technica", <http://www.audio-technica.co.jp/products/hp/ath-ckm55.html>, 3 pages, Audio Technica Co., Ltd., Mar. 11, 2010.

Primary Examiner — Paula Greene

(74) *Attorney, Agent, or Firm* — Rader, Fishman & Grauer PLLC

(57) **CLAIM**

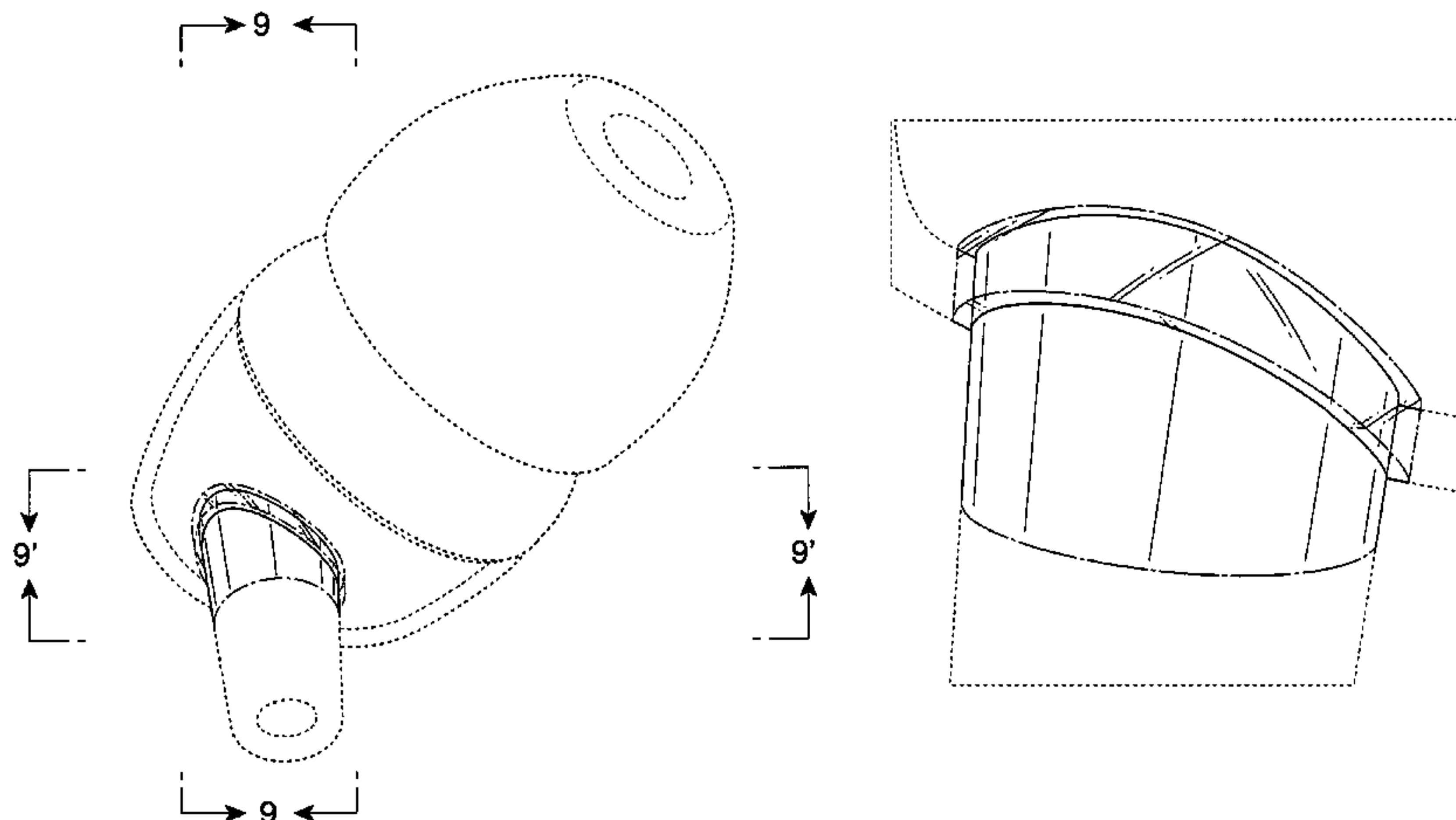
The ornamental design for an earphone, as shown and described.

DESCRIPTION

FIG. 1 is a perspective view of an earphone showing my new design;
FIG. 2 is a front elevational view thereof;
FIG. 3 is a rear elevational view thereof;
FIG. 4 is a left side elevational view thereof;
FIG. 5 is a right side elevational view thereof; and,
FIG. 6 is a bottom plan view thereof.
FIG. 7 is an enlarged rear elevational view thereof along the lines 7-7 and 7'-7' of FIG. 3;
FIG. 8 is an enlarged right side elevational view thereof along the lines 8-8 and 8'-8' of FIG. 5; and,
FIG. 9 is an enlarged perspective view thereof along the lines 9-9 and 9'-9' of FIG. 1.

The portions indicated in broken lines are for illustrative purposes only and form no part of the claimed design. Dot-dash broken lines define the boundaries of, but are not included in, the claimed design.

1 Claim, 7 Drawing Sheets



US D675,599 S

Page 2

U.S. PATENT DOCUMENTS

D566,099 S 4/2008 Komiyama
D572,703 S 7/2008 Ledbetter et al.
D579,005 S 10/2008 Wilhelmsen
D586,332 S 2/2009 Ewert et al.
D587,249 S 2/2009 Densho
D587,681 S 3/2009 Yanai
D587,685 S 3/2009 Densho
D589,493 S 3/2009 Densho
D590,375 S 4/2009 Komiyama
D594,441 S 6/2009 Lee et al.
D598,431 S 8/2009 Densho
D599,778 S * 9/2009 Ando D14/205
D599,779 S 9/2009 Ando
D602,004 S * 10/2009 Matsuoka D14/223
D604,272 S 11/2009 Kitayama
D611,934 S * 3/2010 Schaefer D14/223
D616,874 S * 6/2010 Matsuoka D14/223

D618,211 S 6/2010 Oguro
D623,171 S 9/2010 Chen et al.
D625,298 S * 10/2010 Koss et al. D14/223
D626,948 S 11/2010 Nault
D627,763 S 11/2010 Carsey
D627,764 S * 11/2010 Tsai et al. D14/223
D627,766 S * 11/2010 Arimoto D14/223
D628,193 S * 11/2010 Zheng D14/223
D629,395 S * 12/2010 Lee et al. D14/223
D631,470 S * 1/2011 Yoneyama et al. D14/223
D635,558 S * 4/2011 Zheng D14/223
D639,282 S * 6/2011 Otori et al. D14/223
D656,489 S * 3/2012 Kumagai et al. D14/223
D656,491 S * 3/2012 Nomura D14/223

FOREIGN PATENT DOCUMENTS

JP D1379169 S 2/2010
* cited by examiner

FIG. 1

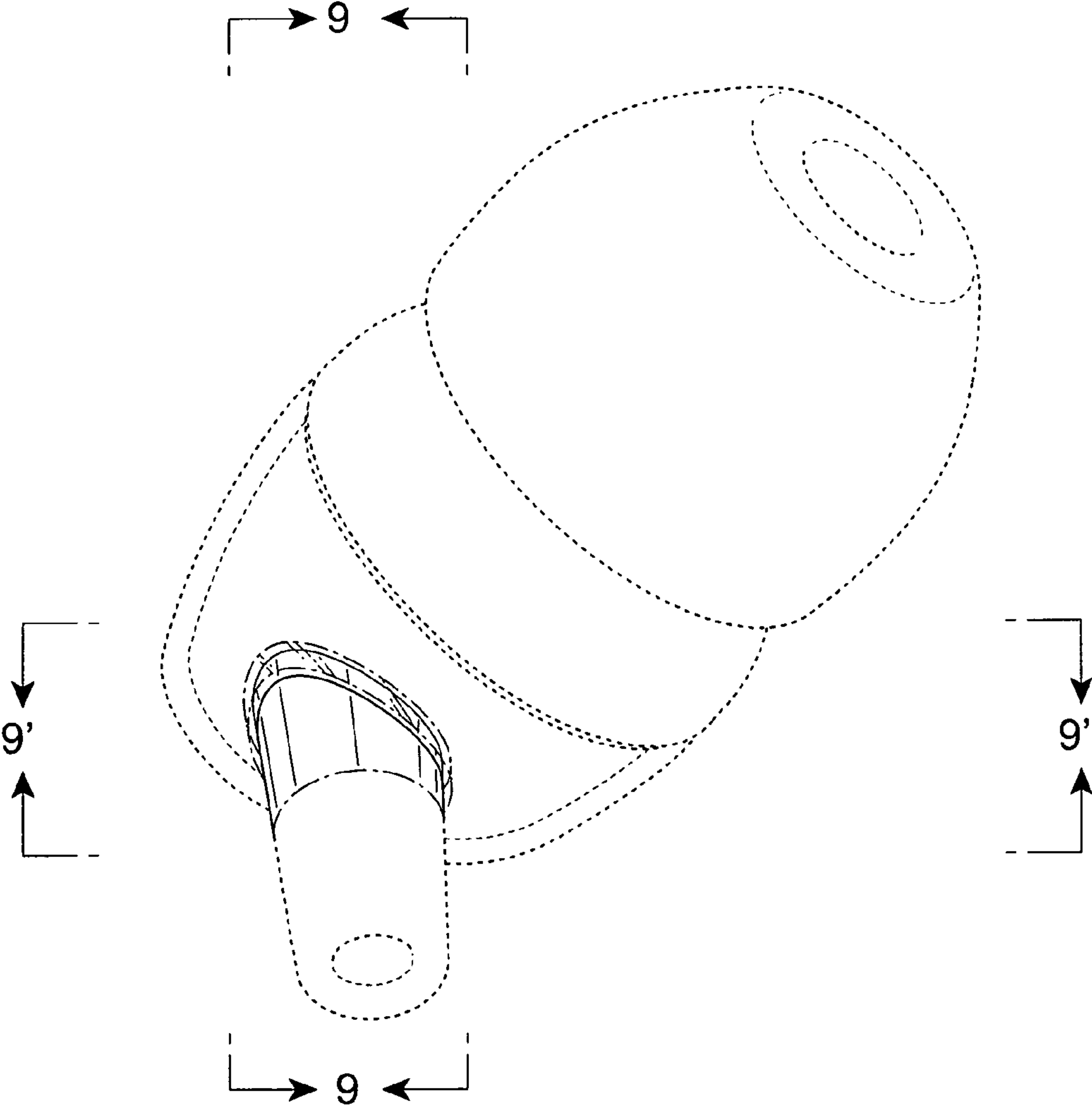


FIG.2

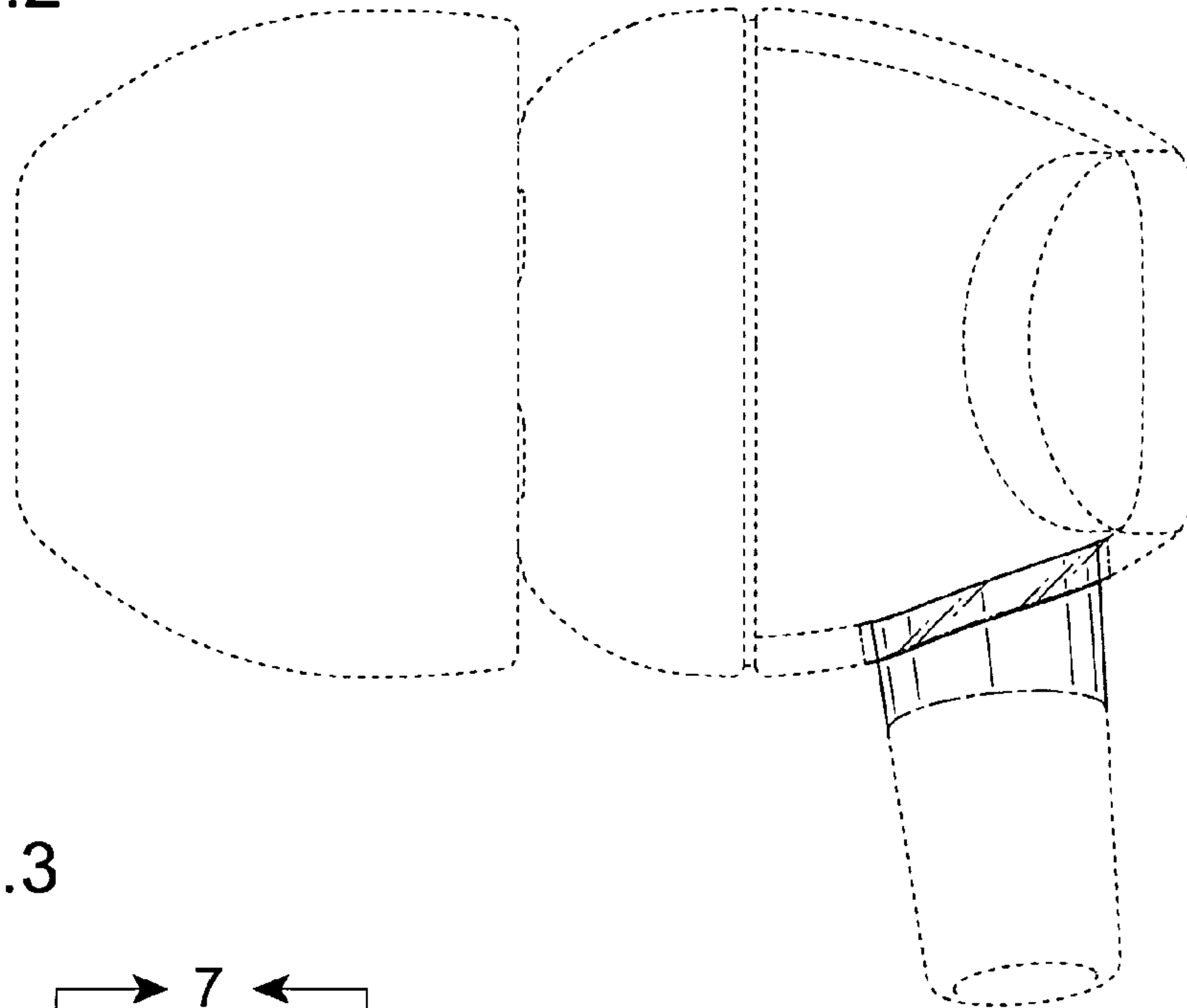


FIG.3

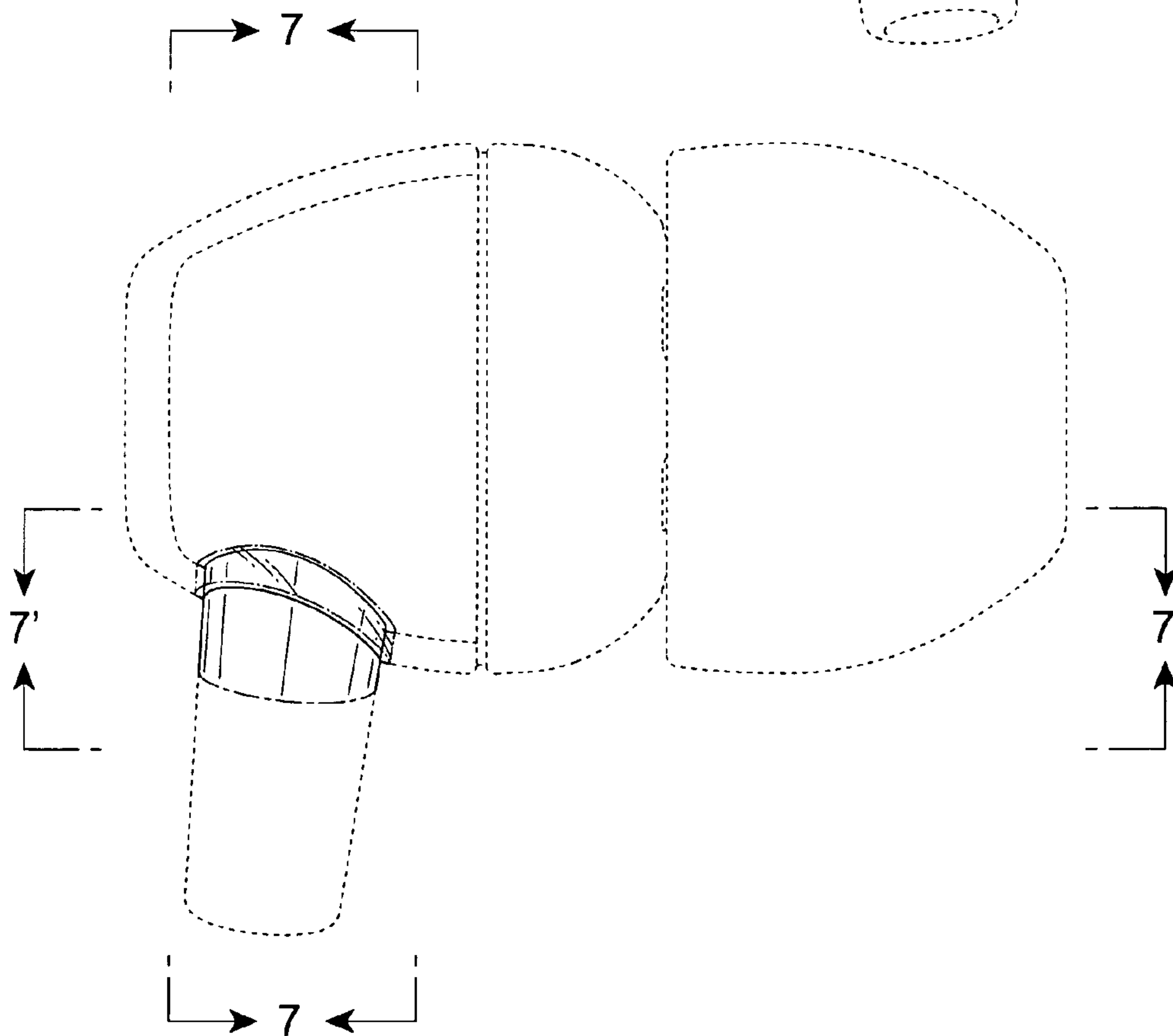


FIG.4

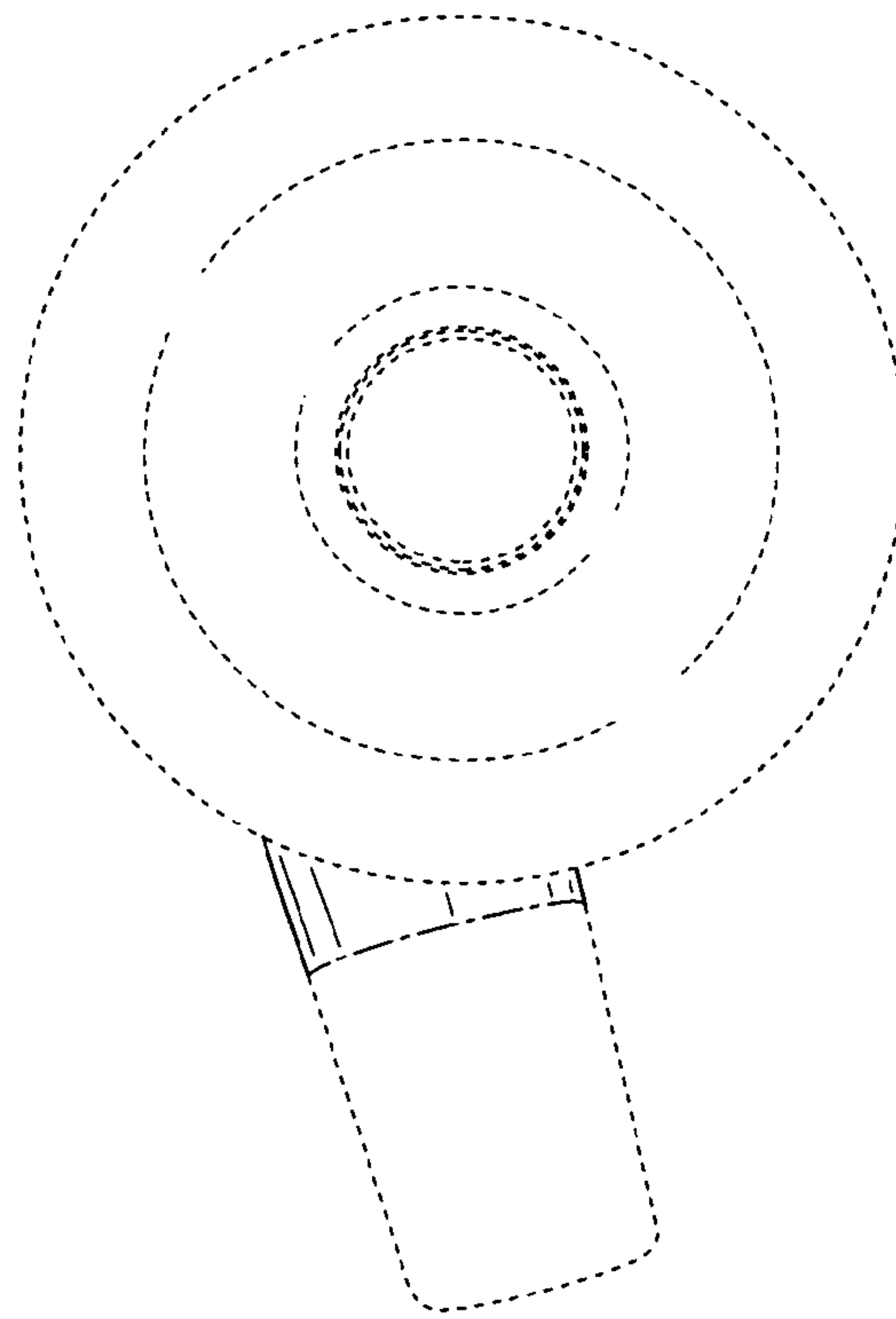


FIG.5

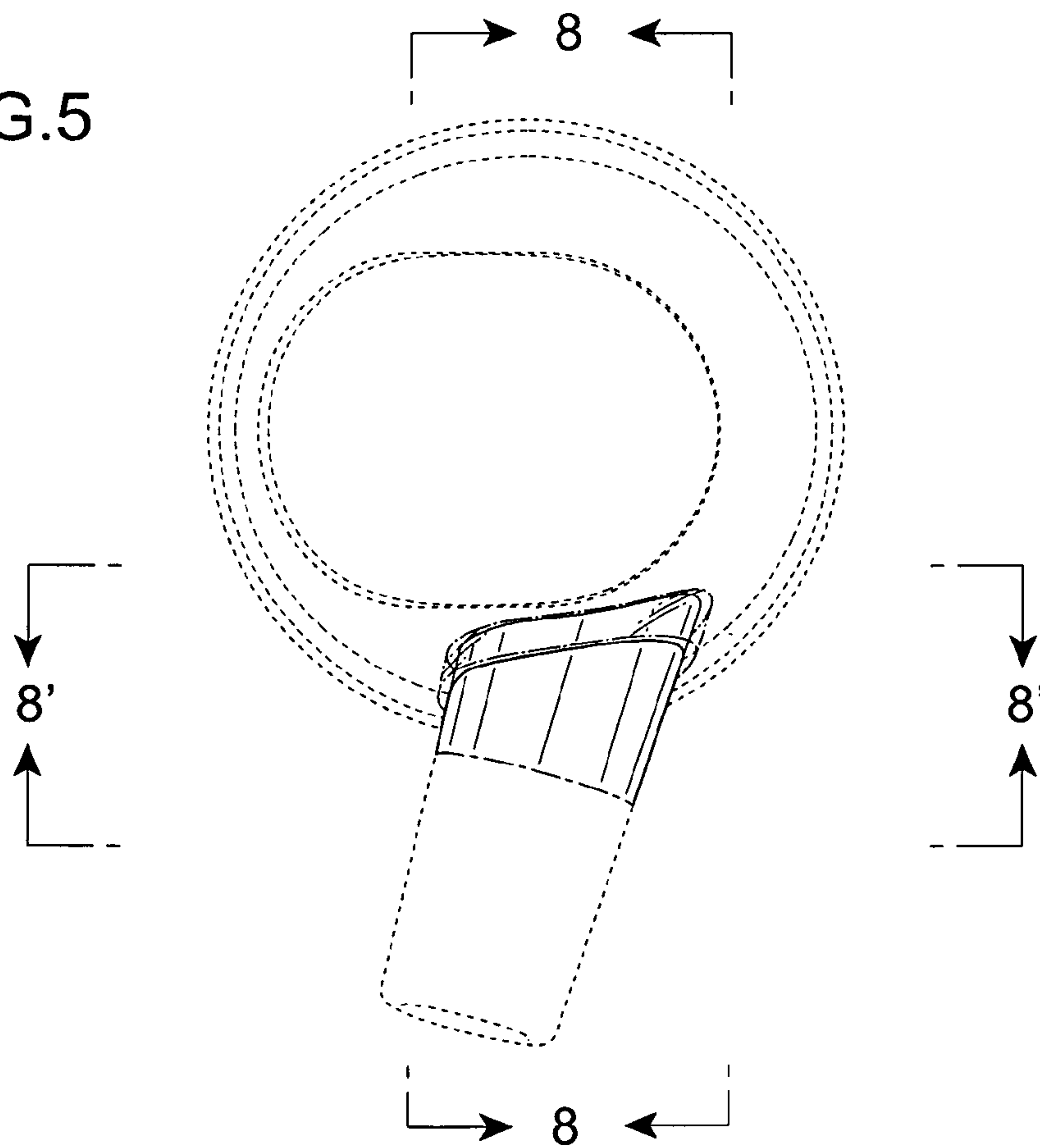


FIG.6

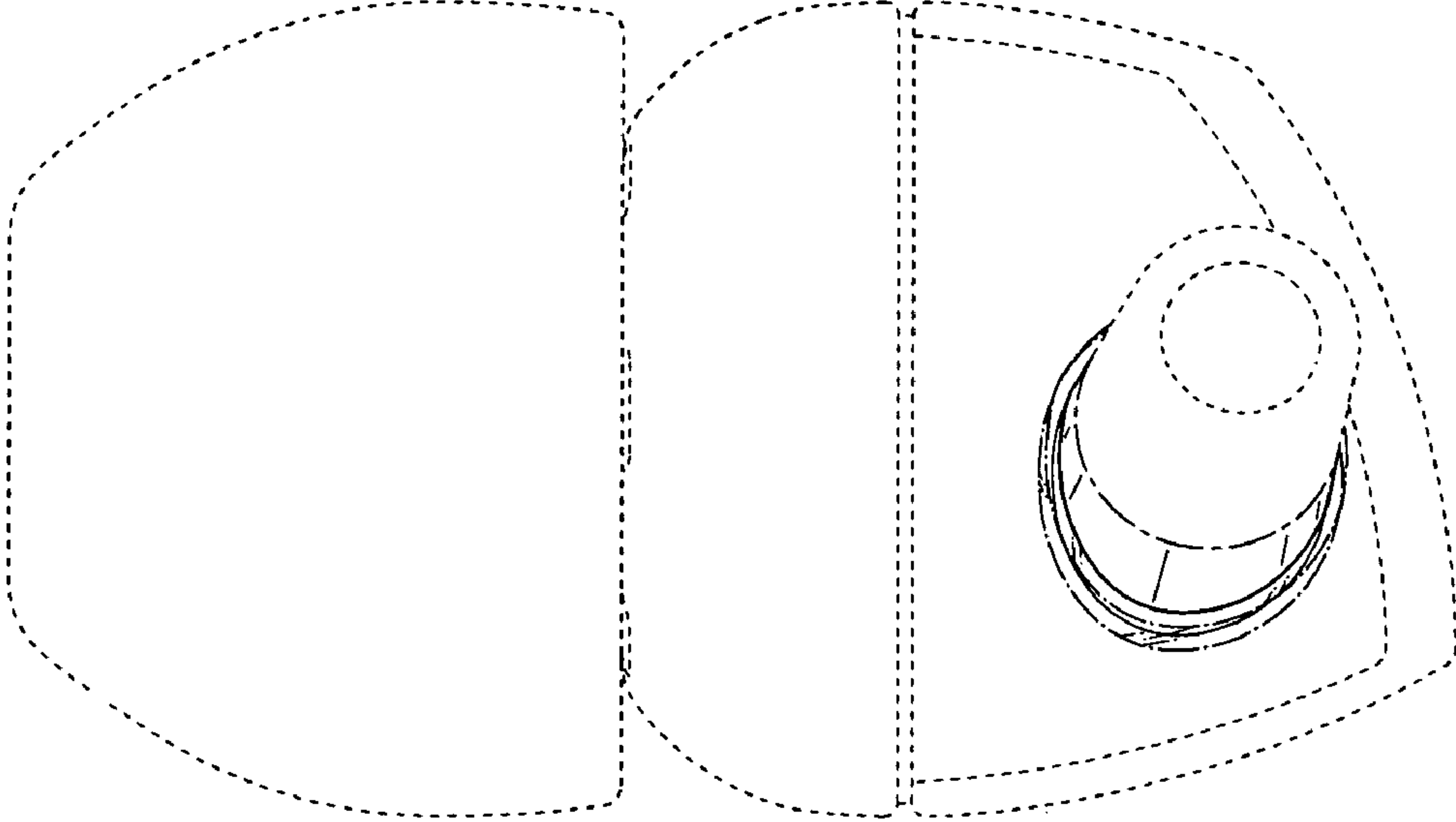


FIG.7

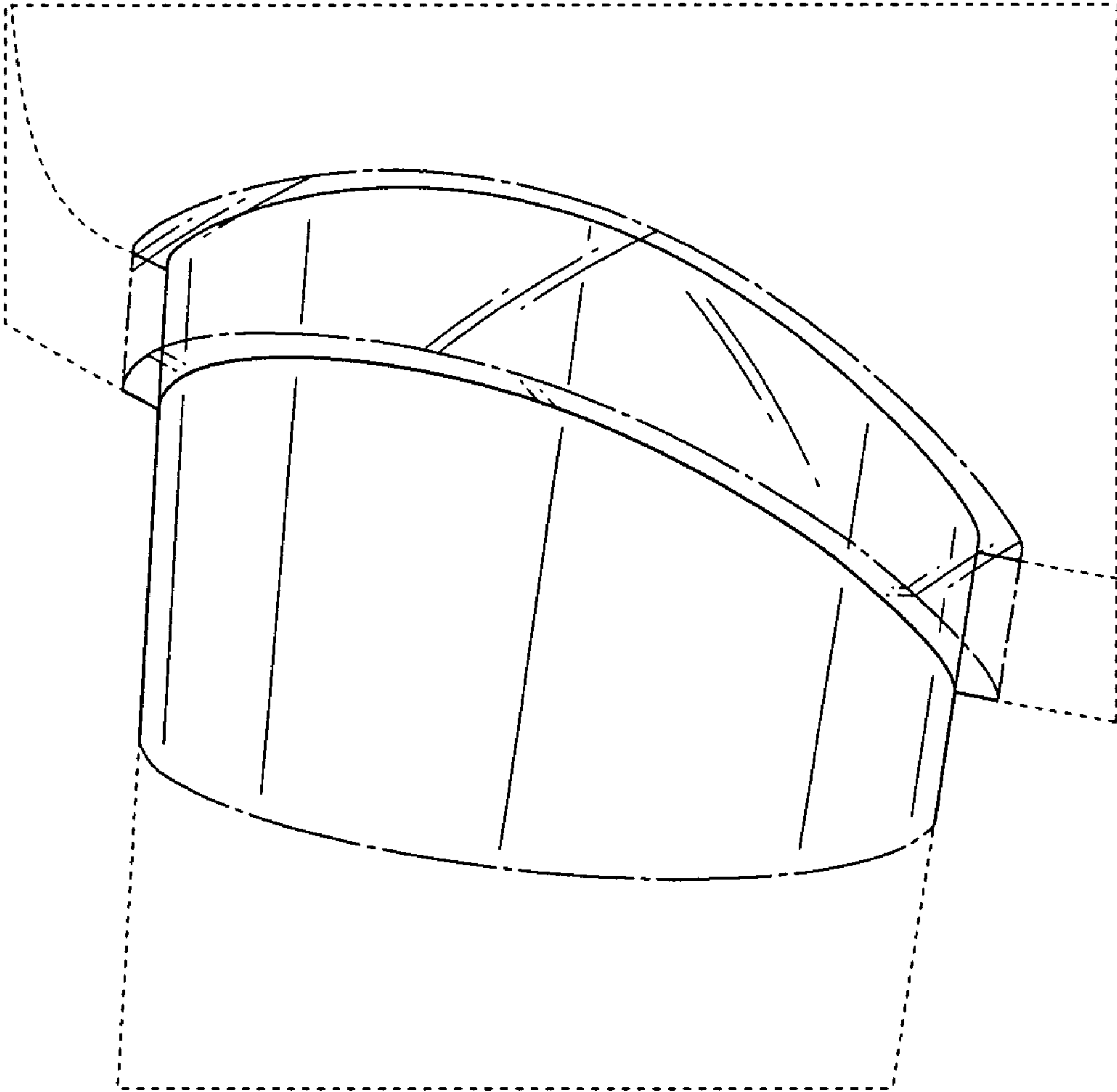


FIG.8

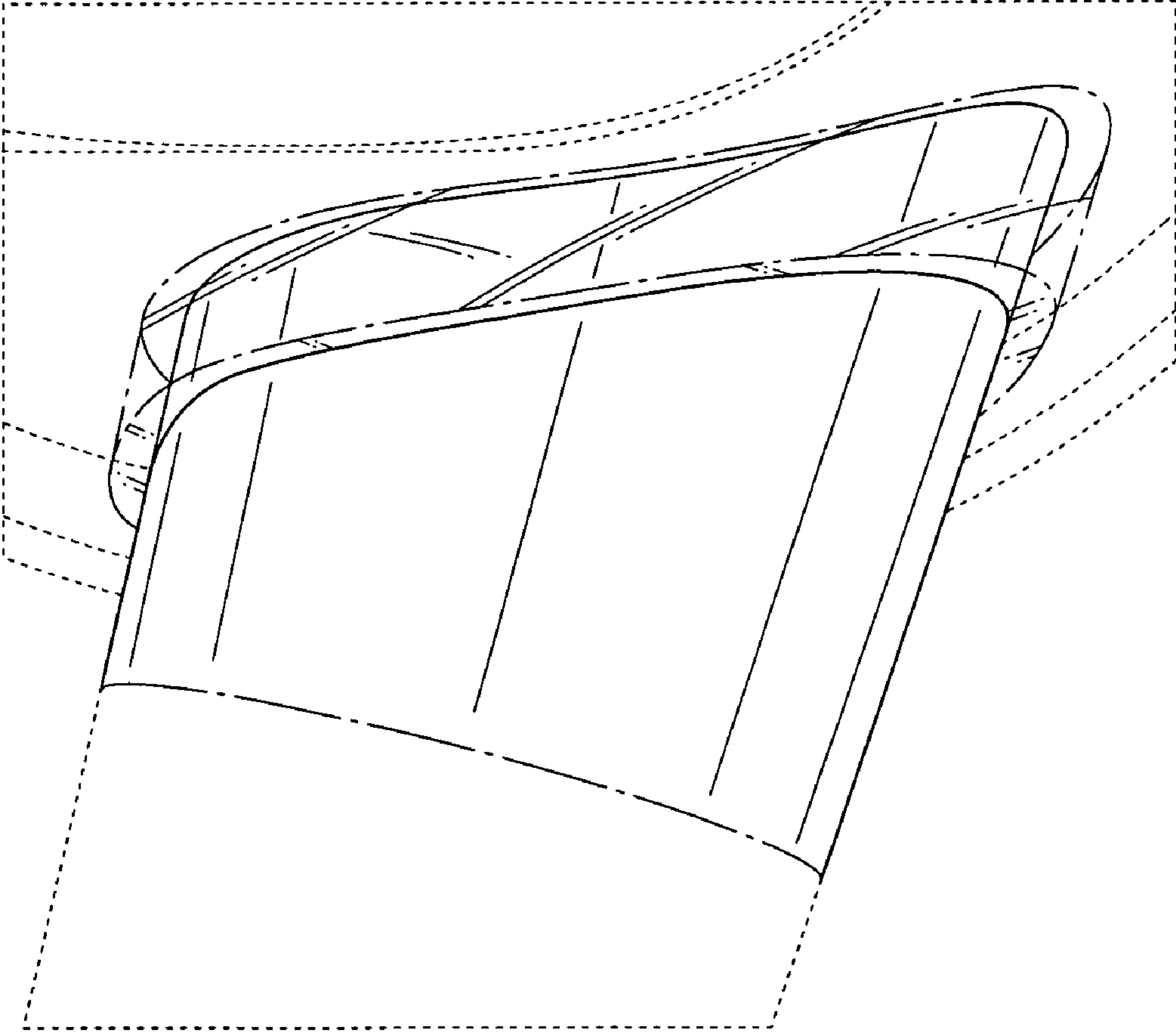


FIG.9

