



US00D675597S

(12) **United States Design Patent**
Hawkins et al.

(10) **Patent No.:** **US D675,597 S**

(45) **Date of Patent:** **** Feb. 5, 2013**

(54) **LOUDSPEAKER**

(75) Inventors: **Bernard Francis Hawkins**, Long Beach, CA (US); **Lorenzo Barrios**, Covina, CA (US)

(73) Assignee: **QSC Audio Products, LLC**, Costa Mesa, CA (US)

(**) Term: **14 Years**

(21) Appl. No.: **29/409,546**

(22) Filed: **Dec. 23, 2011**

Related U.S. Application Data

(62) Division of application No. 29/382,408, filed on Jan. 3, 2011, now Pat. No. Des. 654,474.

(51) **LOC (9) Cl.** **14-01**

(52) **U.S. Cl.** **D14/210**

(58) **Field of Classification Search** D14/204, D14/210, 218, 172; 181/143, 147, 148, 150, 181/153, 157, 198, 199; 381/300-303, 306, 381/332, 333, 336, 345, 361-364, 370, 386-388
See application file for complete search history.

(56) **References Cited**

U.S. PATENT DOCUMENTS

4,165,797 A * 8/1979 Spetalnik 181/147
D295,857 S * 5/1988 Nagashima D14/210
4,805,730 A * 2/1989 O'Neill et al. 181/148
5,781,645 A 7/1998 Beale

D410,006 S * 5/1999 Miyazaki D14/214
6,016,353 A 1/2000 Gunness
D434,750 S * 12/2000 Childers et al. D14/204
D439,237 S * 3/2001 Felix et al. D14/214
D442,942 S 5/2001 Tsuge
D491,553 S * 6/2004 Cook D14/214
D498,745 S * 11/2004 Sayler et al. D14/214
7,201,251 B1 * 4/2007 Baird 181/145
D582,892 S 12/2008 Baird et al.

* cited by examiner

Primary Examiner — Prabhakar Deshmukh

(74) *Attorney, Agent, or Firm* — Hayens and Boone, LLP

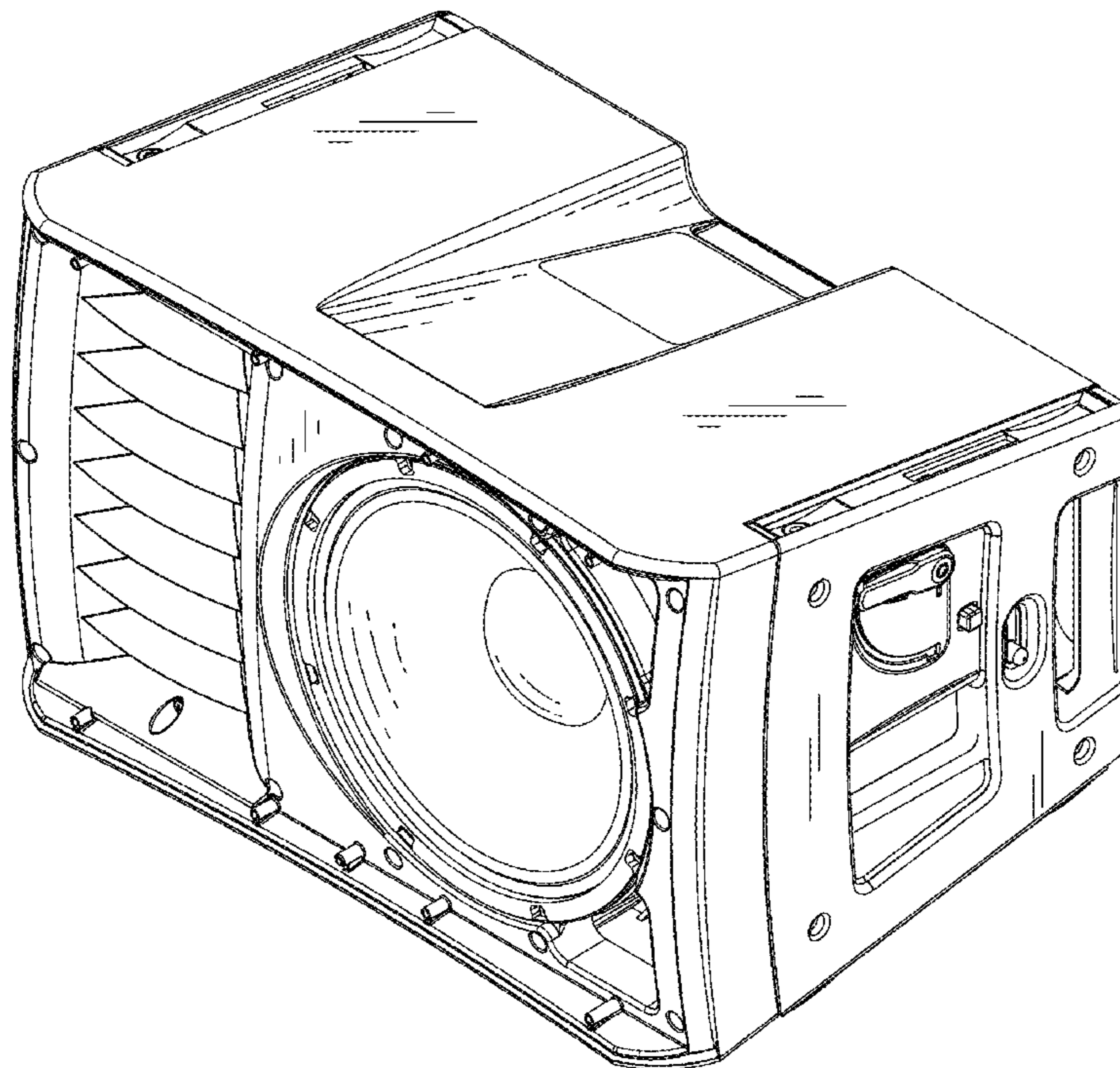
(57) **CLAIM**

The ornamental design for a loudspeaker, as shown and described.

DESCRIPTION

FIG. 1 is a perspective view of a loudspeaker illustrating our new design;
FIG. 2 is a front view of the loudspeaker of FIG. 1;
FIG. 3 is a side view of the loudspeaker of FIG. 1;
FIG. 4 is a rear view of the loudspeaker of FIG. 1;
FIG. 5 is an opposite side view of the loudspeaker of FIG. 1;
FIG. 6 is a top view of the loudspeaker of FIG. 1; and,
FIG. 7 is a bottom view of the loudspeaker of FIG. 1.
The broken lines in FIGS. 3, 5, 6-7 are shown for the environmental use of the design. The portions of the loudspeaker shown in broken lines are shown for illustrative purpose only. None of the broken lines form part of the claimed design.

1 Claim, 7 Drawing Sheets



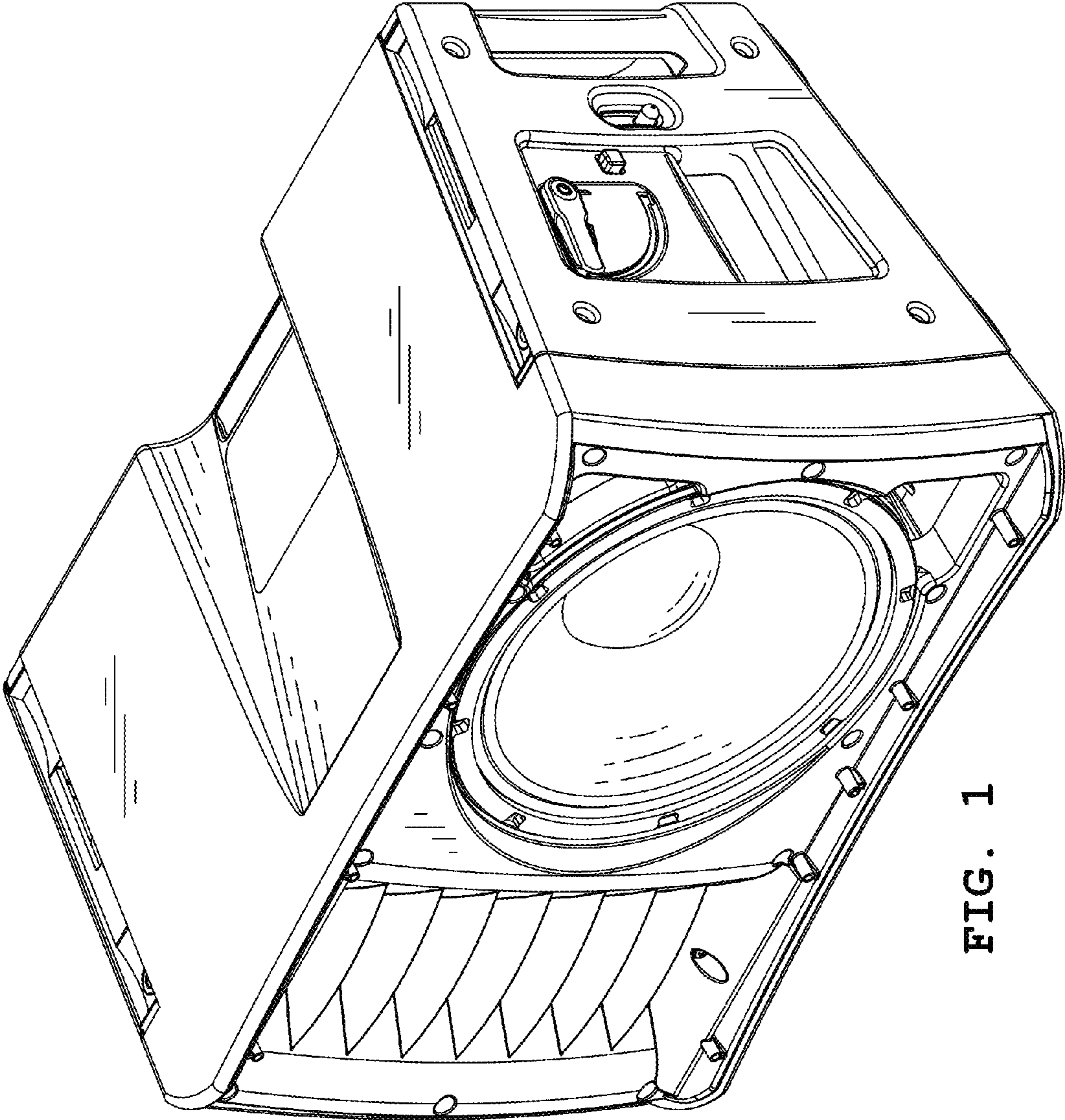


FIG. 1

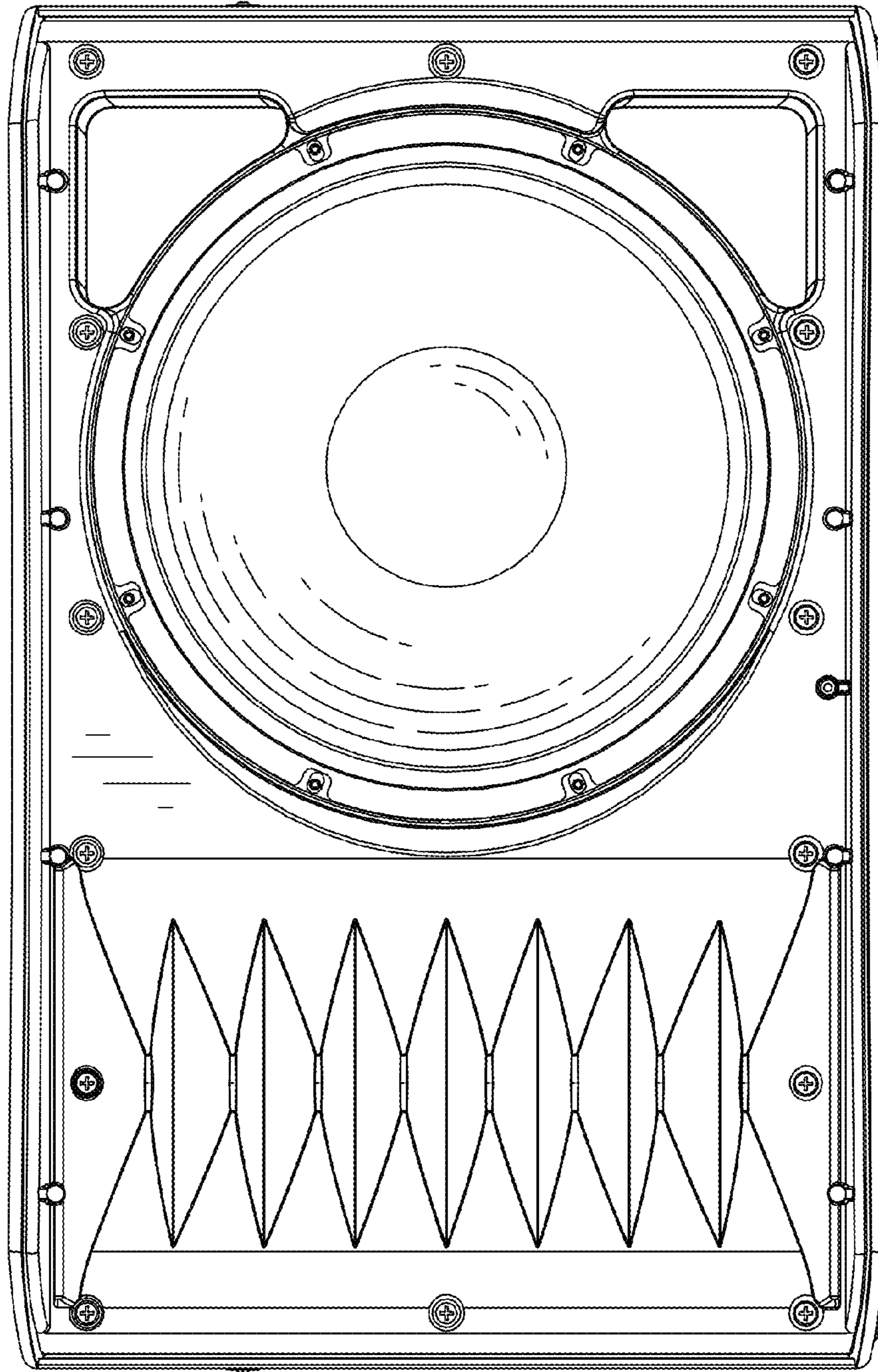


FIG. 2

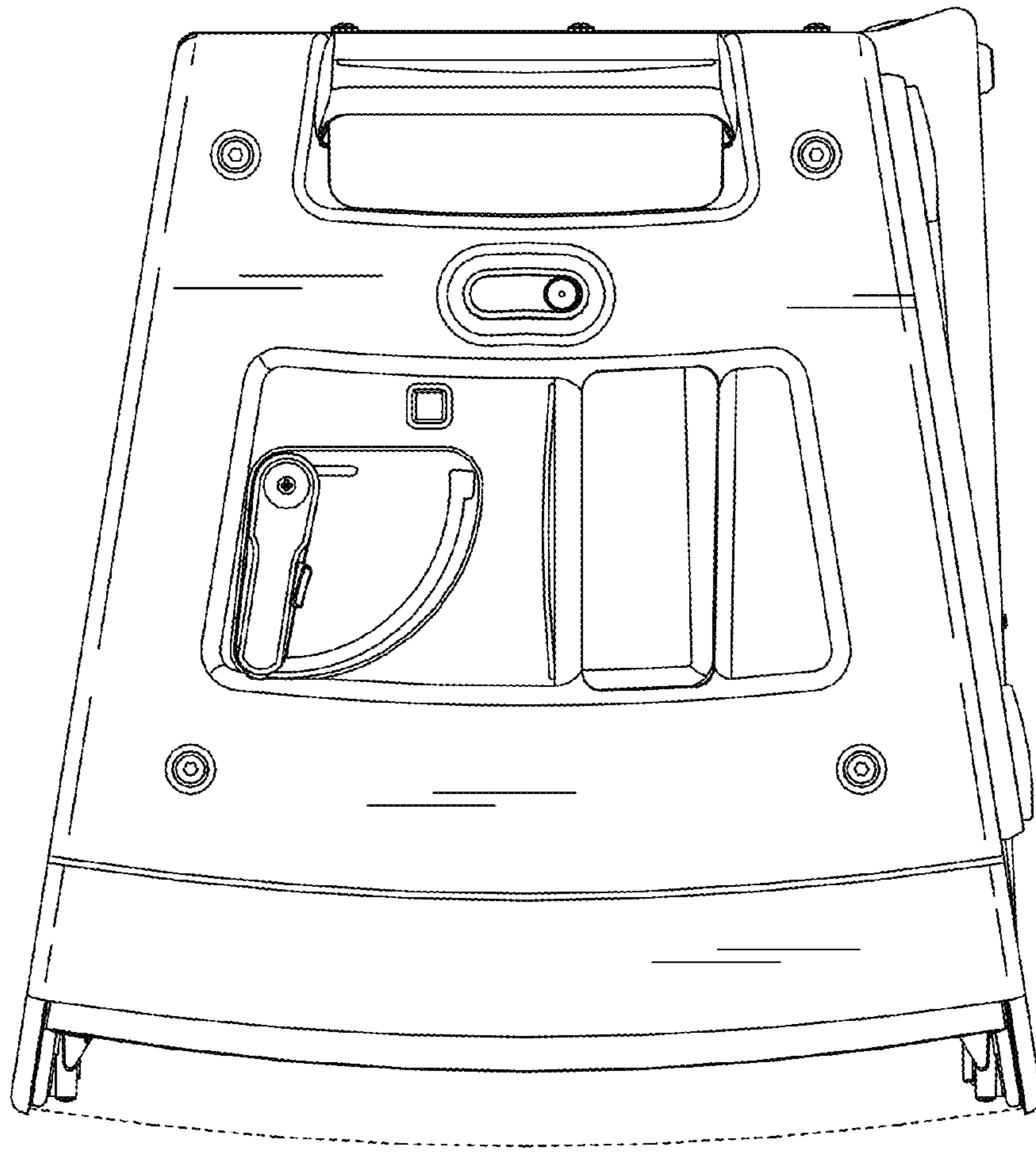


FIG. 3

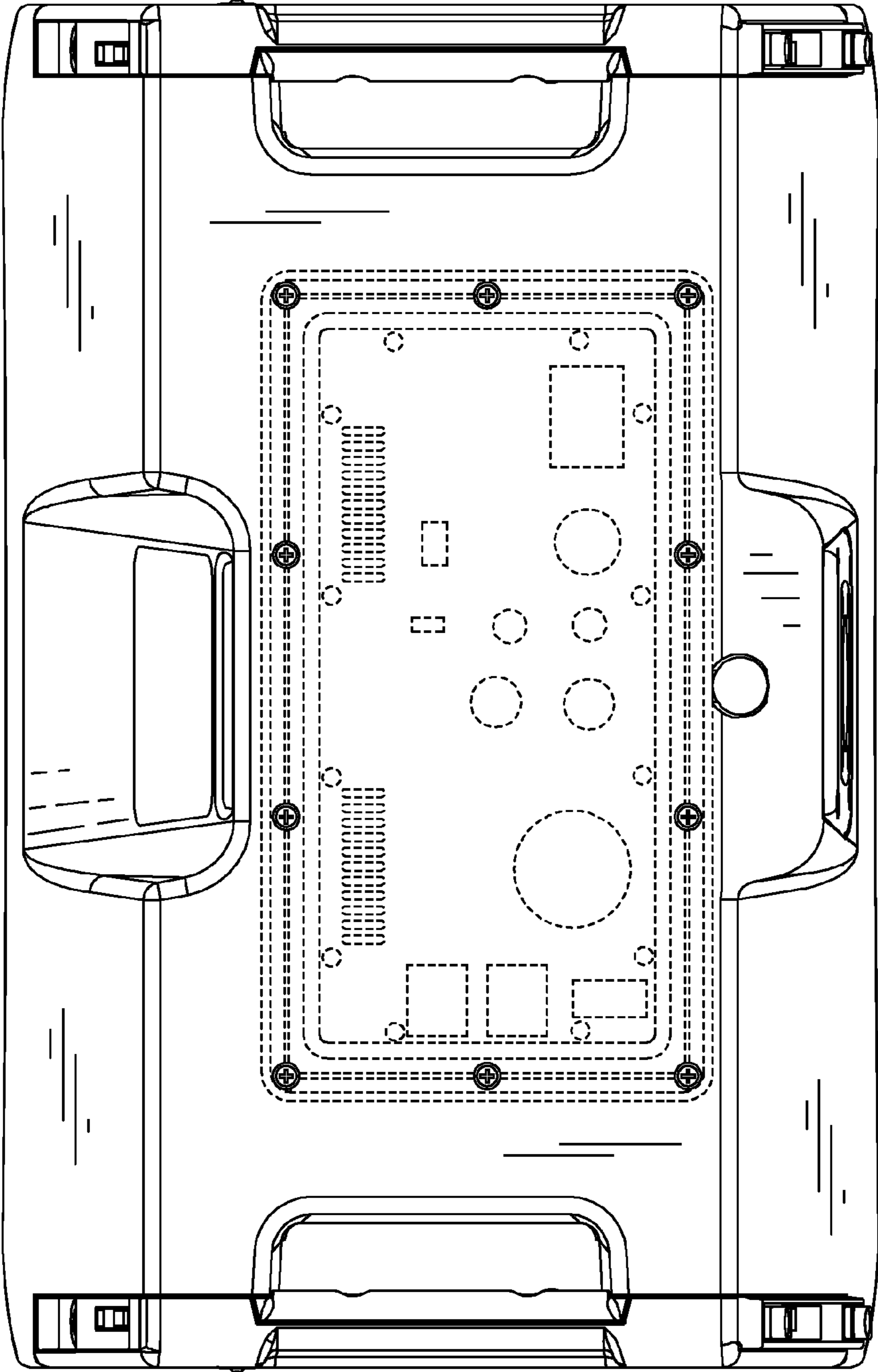


FIG. 4

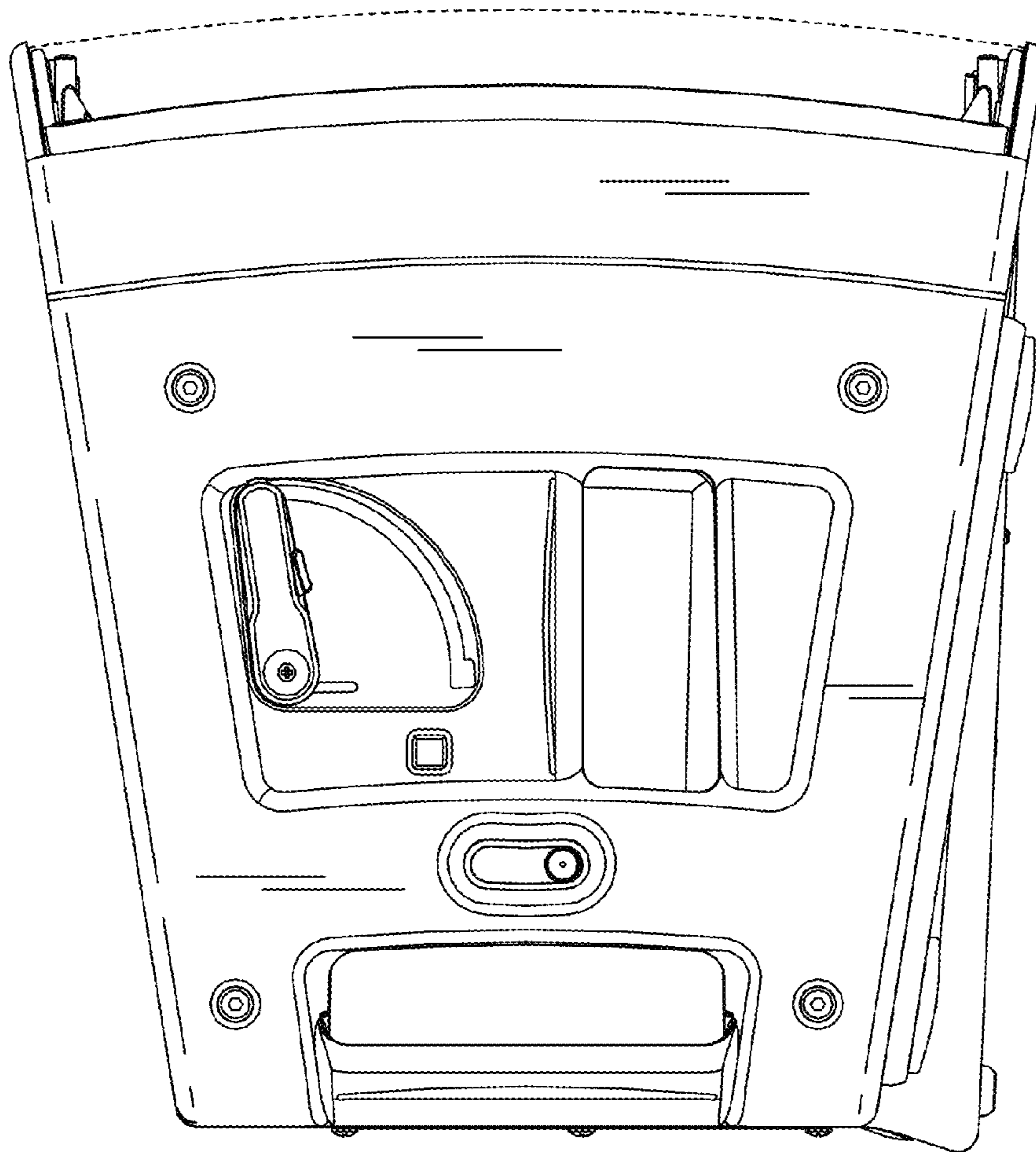


FIG. 5

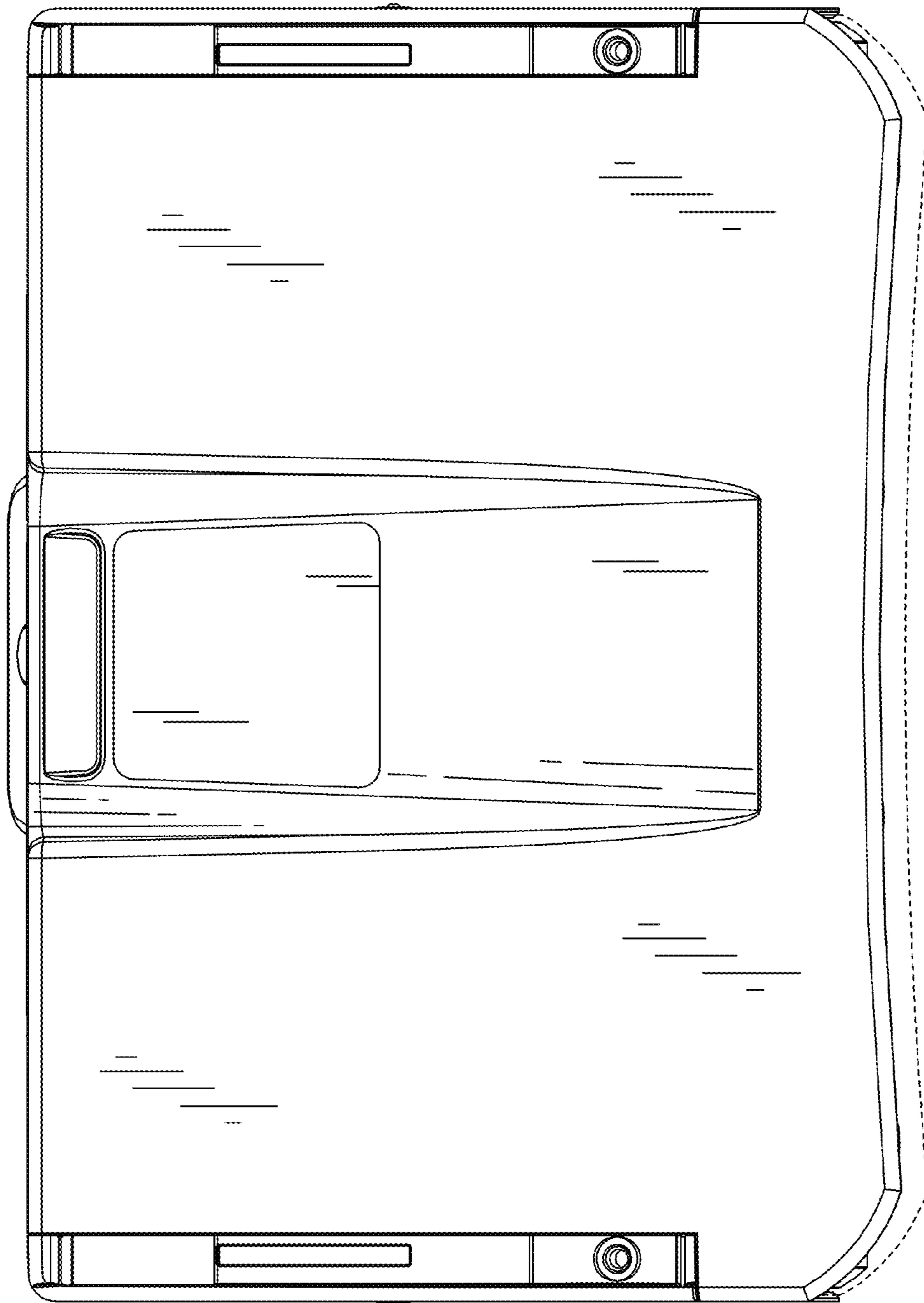


FIG. 6

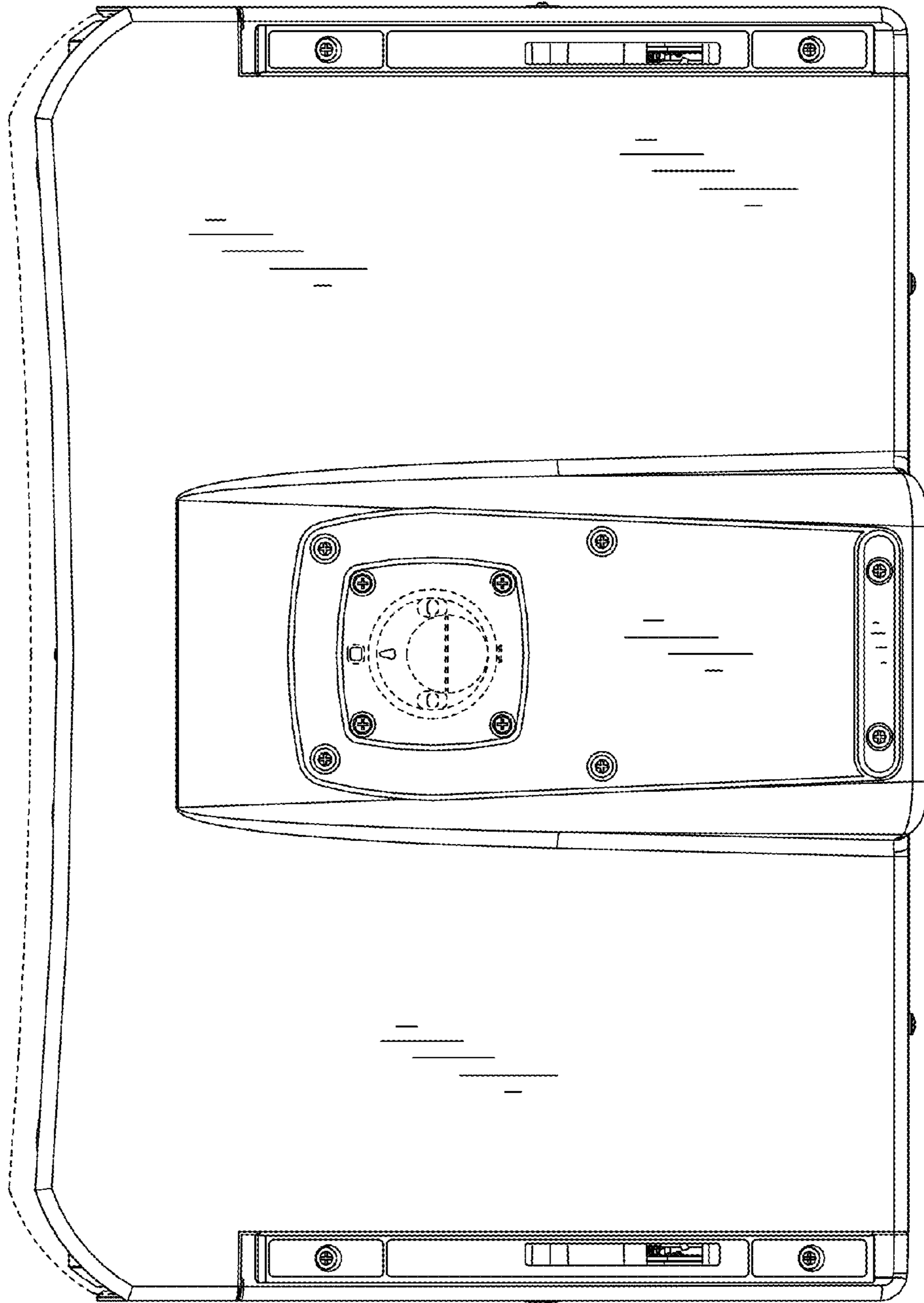


FIG. 7