



US00D675594S

(12) **United States Design Patent**  
**Lee**

(10) **Patent No.:** **US D675,594 S**  
(45) **Date of Patent:** **\*\* Feb. 5, 2013**

(54) **MICRO AUDIO SYSTEM**

(75) Inventor: **Wai Chung David Lee, Kowloon (HK)**

(73) Assignee: **Koninklijke Philips Electronics N.V., Eindhoven (NL)**

(\*\*) Term: **14 Years**

(21) Appl. No.: **29/394,847**

(22) Filed: **Jun. 22, 2011**

(30) **Foreign Application Priority Data**

Dec. 22, 2010 (EM) ..... 00179723-0002

(51) **LOC (9) Cl.** ..... **14-03**

(52) **U.S. Cl.** ..... **D14/188**

(58) **Field of Classification Search** ..... D14/137,  
D14/155, 168, 170, 171, 188, 189, 193-198,  
D14/203.1-203.8, 204, 208, 209.1, 210, 212,  
D14/214, 217, 434, 496; D10/2; 312/7.1;  
369/6-12; 370/342-344; 455/90.1-90.3,  
455/344-355

See application file for complete search history.

(56) **References Cited**

**U.S. PATENT DOCUMENTS**

- D236,912 S \* 9/1975 Akazawa et al. .... D14/196
- D253,822 S \* 1/1980 Hamada et al. .... D14/195
- D276,610 S \* 12/1984 Okada et al. .... D14/194
- D278,906 S \* 5/1985 Nakamura ..... D14/194
- D543,869 S \* 6/2007 Chavarri ..... D10/2
- D544,371 S \* 6/2007 Bhavnani ..... D10/2
- D545,692 S \* 7/2007 Bhavnani ..... D10/2
- D553,117 S \* 10/2007 Corsini ..... D14/168

- D571,351 S \* 6/2008 Sogabe ..... D14/168
- D571,749 S \* 6/2008 Barnett et al. .... D14/126
- D573,580 S \* 7/2008 Haas ..... D14/171
- D576,147 S \* 9/2008 Natori ..... D14/188
- D578,998 S \* 10/2008 Natori ..... D14/188
- D585,402 S \* 1/2009 Shimizu ..... D14/500
- D587,227 S \* 2/2009 Sugiyama ..... D14/500
- D587,675 S \* 3/2009 Xie ..... D14/172
- D592,179 S \* 5/2009 Ichinose et al. .... D14/168
- D615,959 S \* 5/2010 Xiao ..... D14/171
- D629,385 S \* 12/2010 Lee ..... D14/203.7
- D629,386 S \* 12/2010 Lee ..... D14/203.7
- D633,503 S \* 3/2011 Bo et al. .... D14/434
- D636,373 S \* 4/2011 Miu ..... D14/170
- D645,843 S \* 9/2011 Bolton ..... D14/209.1
- D647,504 S \* 10/2011 Choi ..... D14/209.1

\* cited by examiner

*Primary Examiner* — Keli L Hill

(57) **CLAIM**

The ornamental design for a micro audio system, as shown and described.

**DESCRIPTION**

FIG. 1 is a perspective view showing a micro audio system of my design;

FIG. 2 is a front elevational view thereof;

FIG. 3 is a rear elevational view thereof;

FIG. 4 is a right side elevational view thereof;

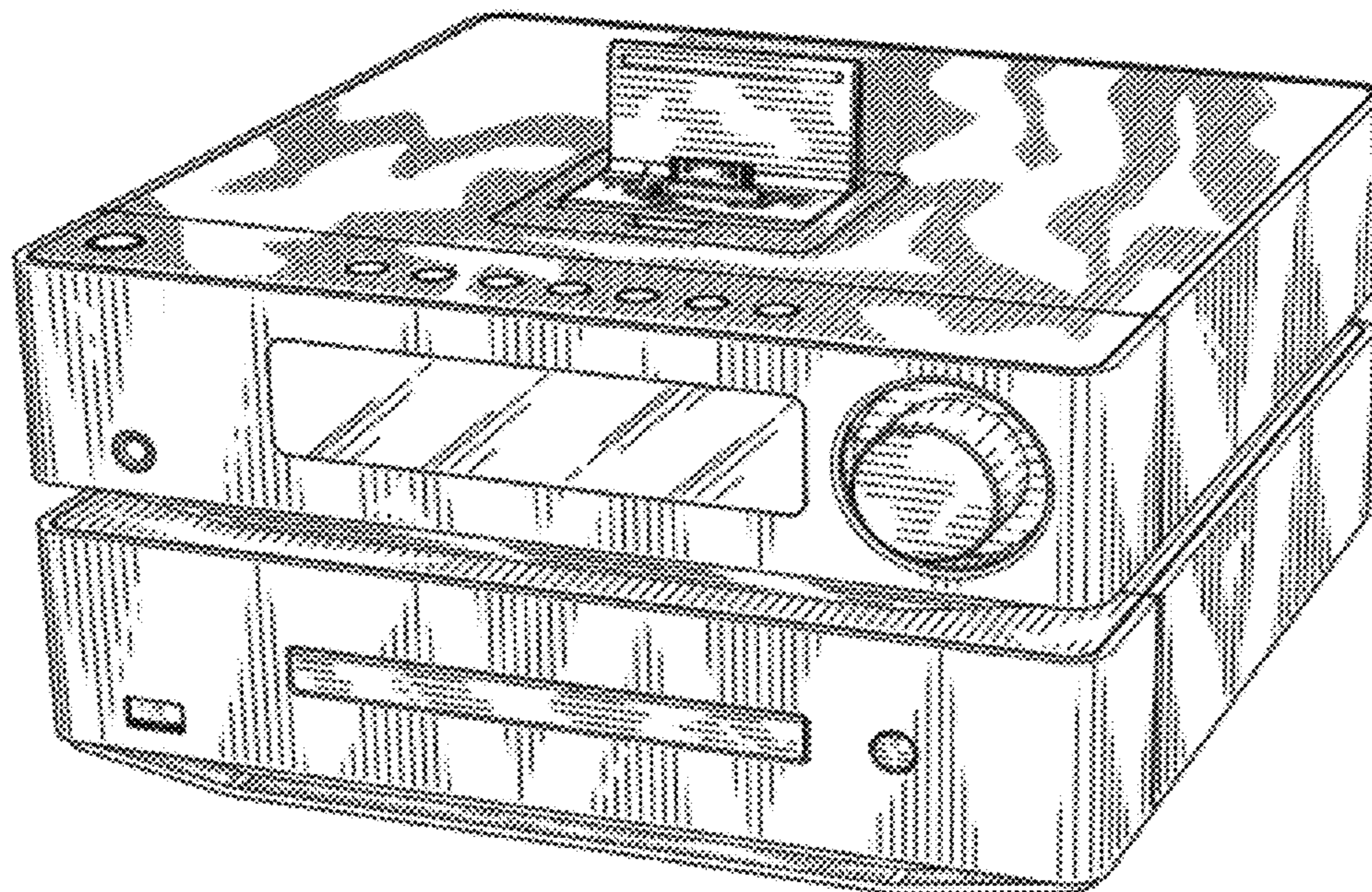
FIG. 5 is a left side elevational view thereof;

FIG. 6 is a top plan view thereof; and,

FIG. 7 is a bottom plan view thereof.

The portions of the micro audio system shown in broken lines form no part of the claimed design.

**1 Claim, 5 Drawing Sheets**



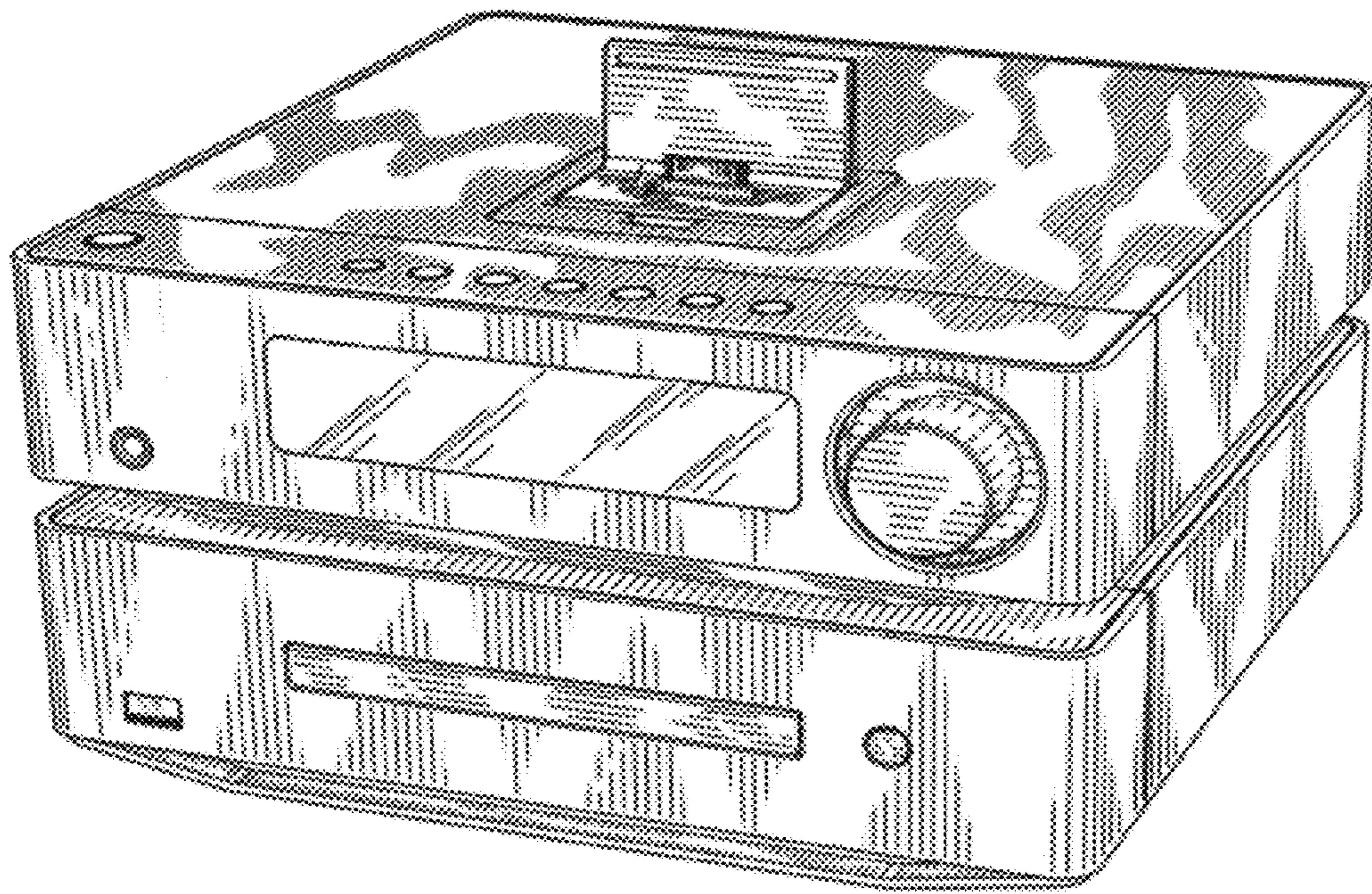


FIG. 1

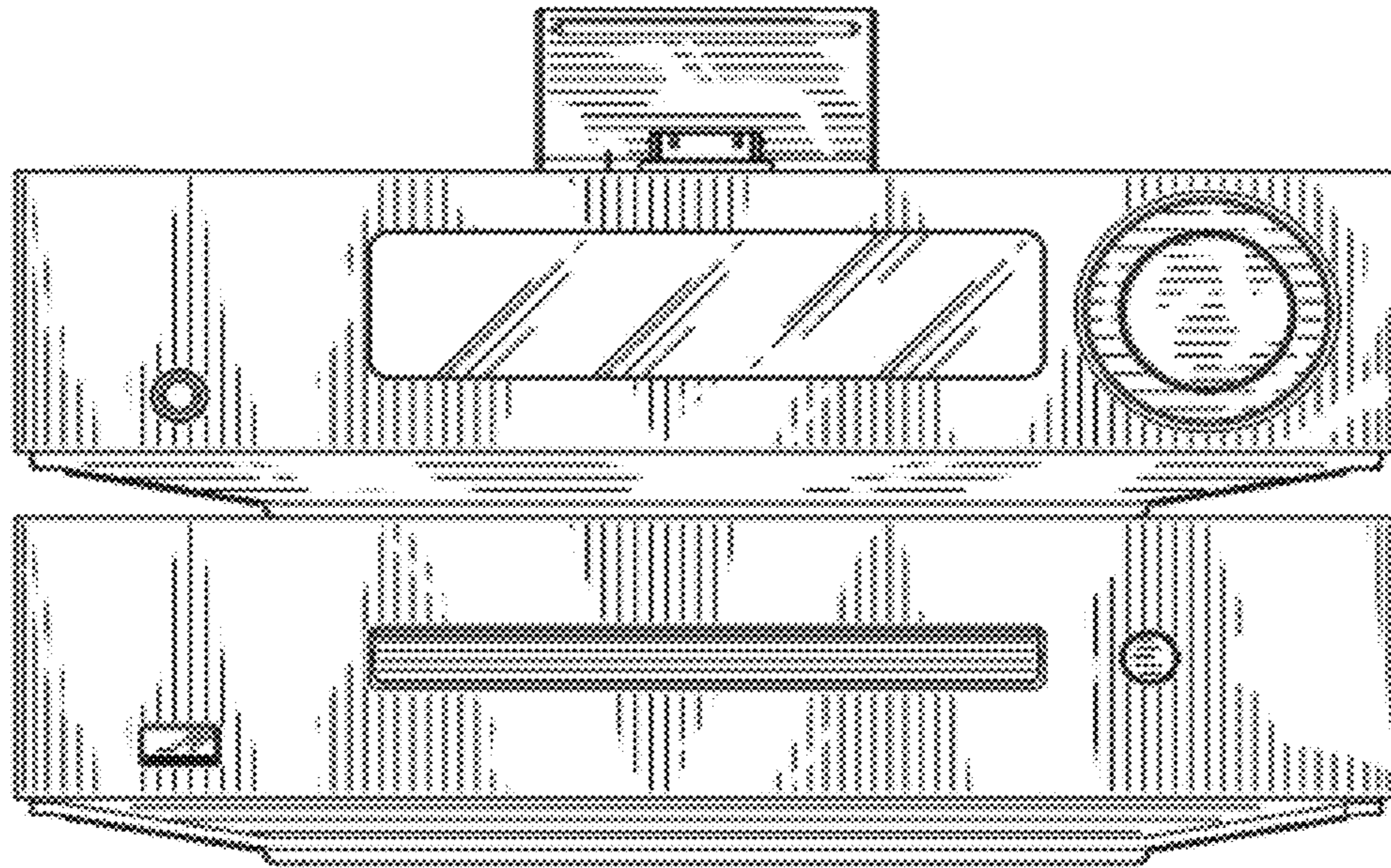


FIG. 2

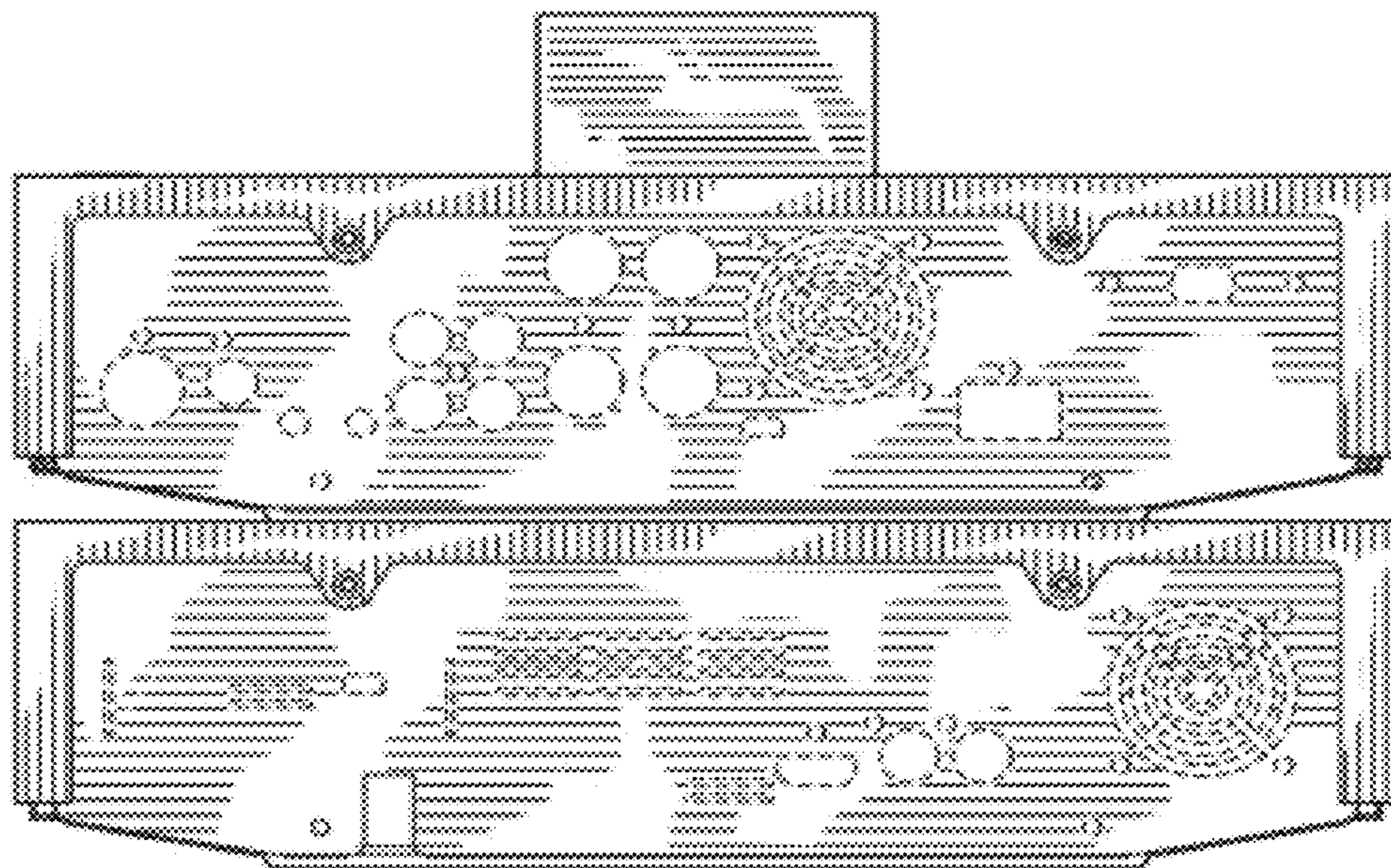


FIG. 3

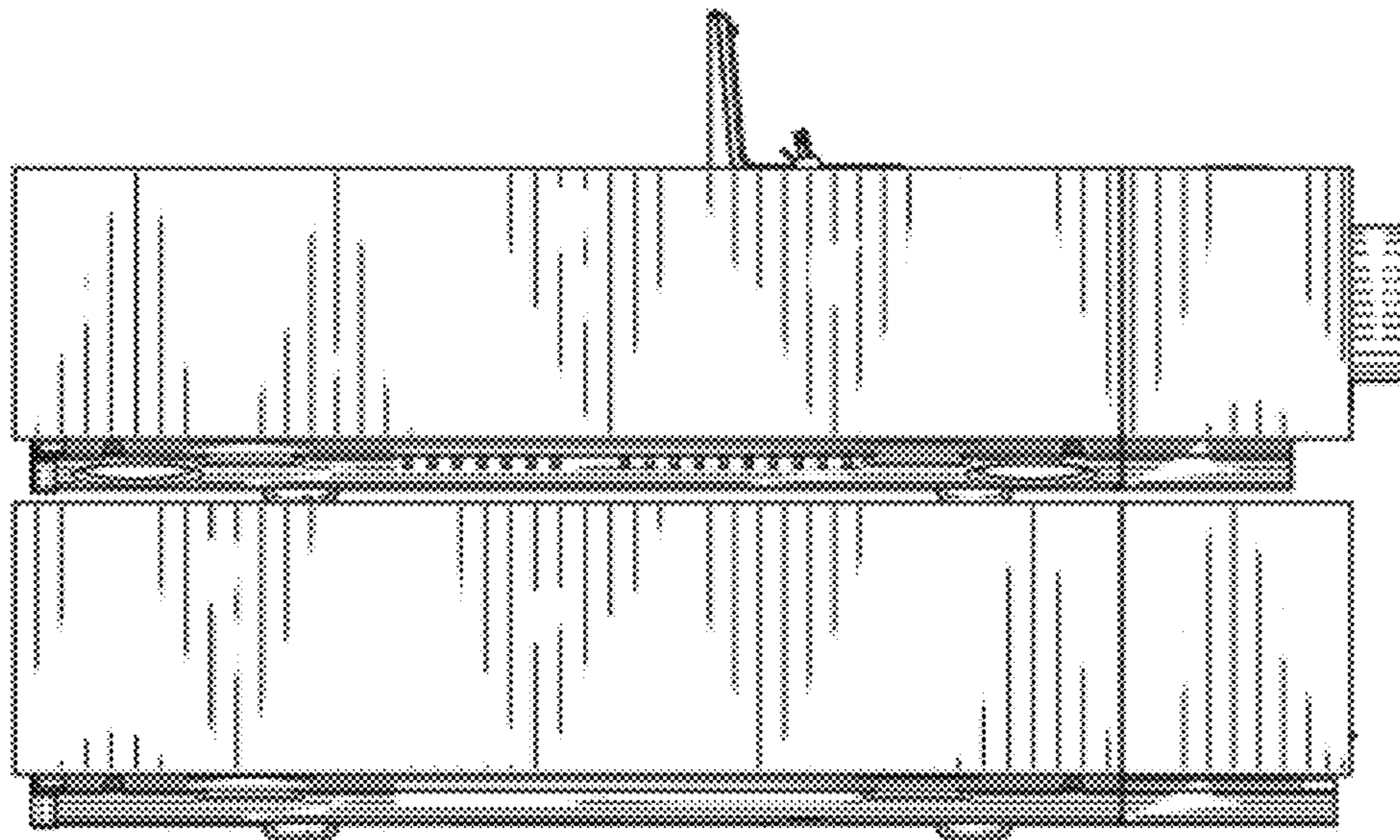


FIG. 4

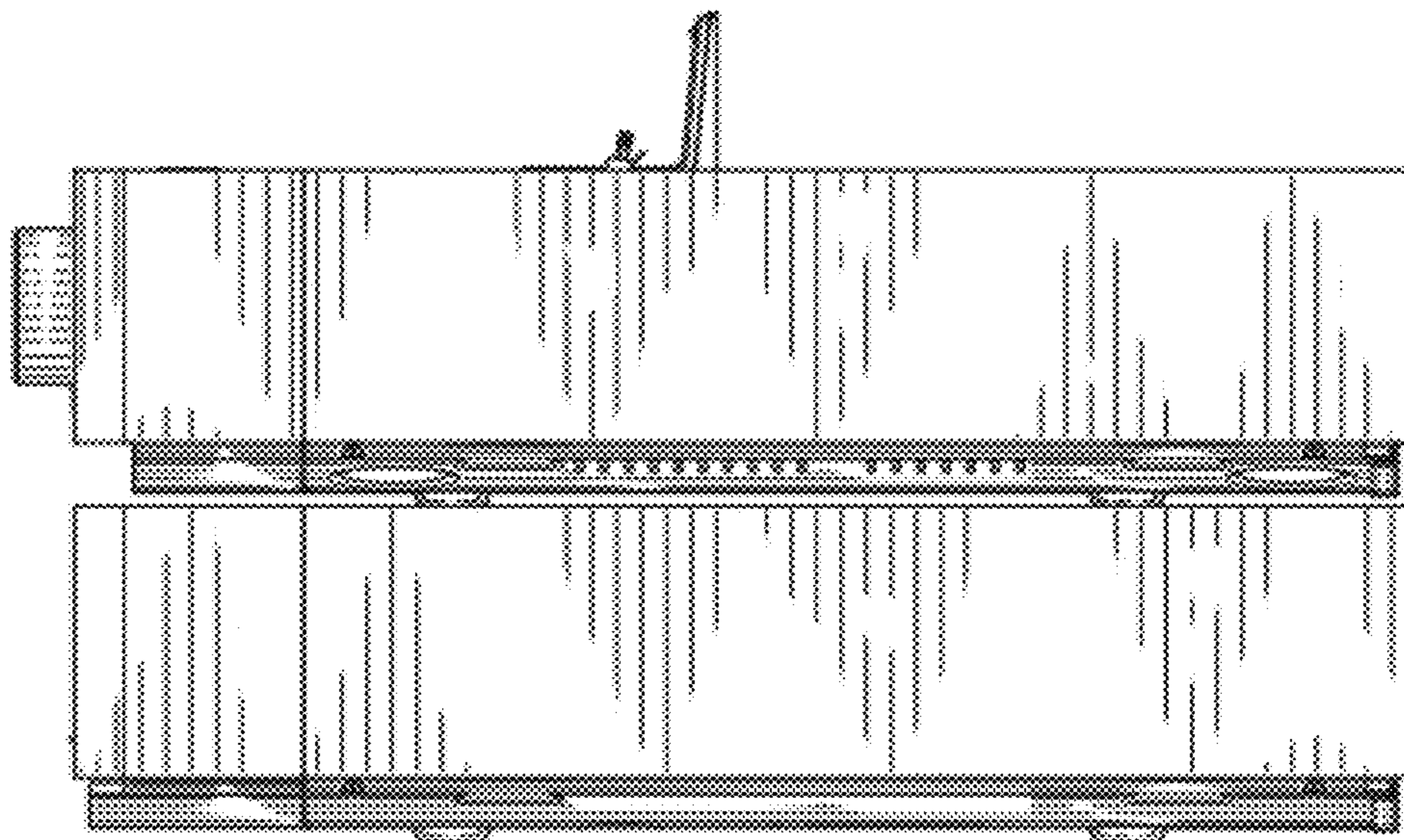


FIG. 5

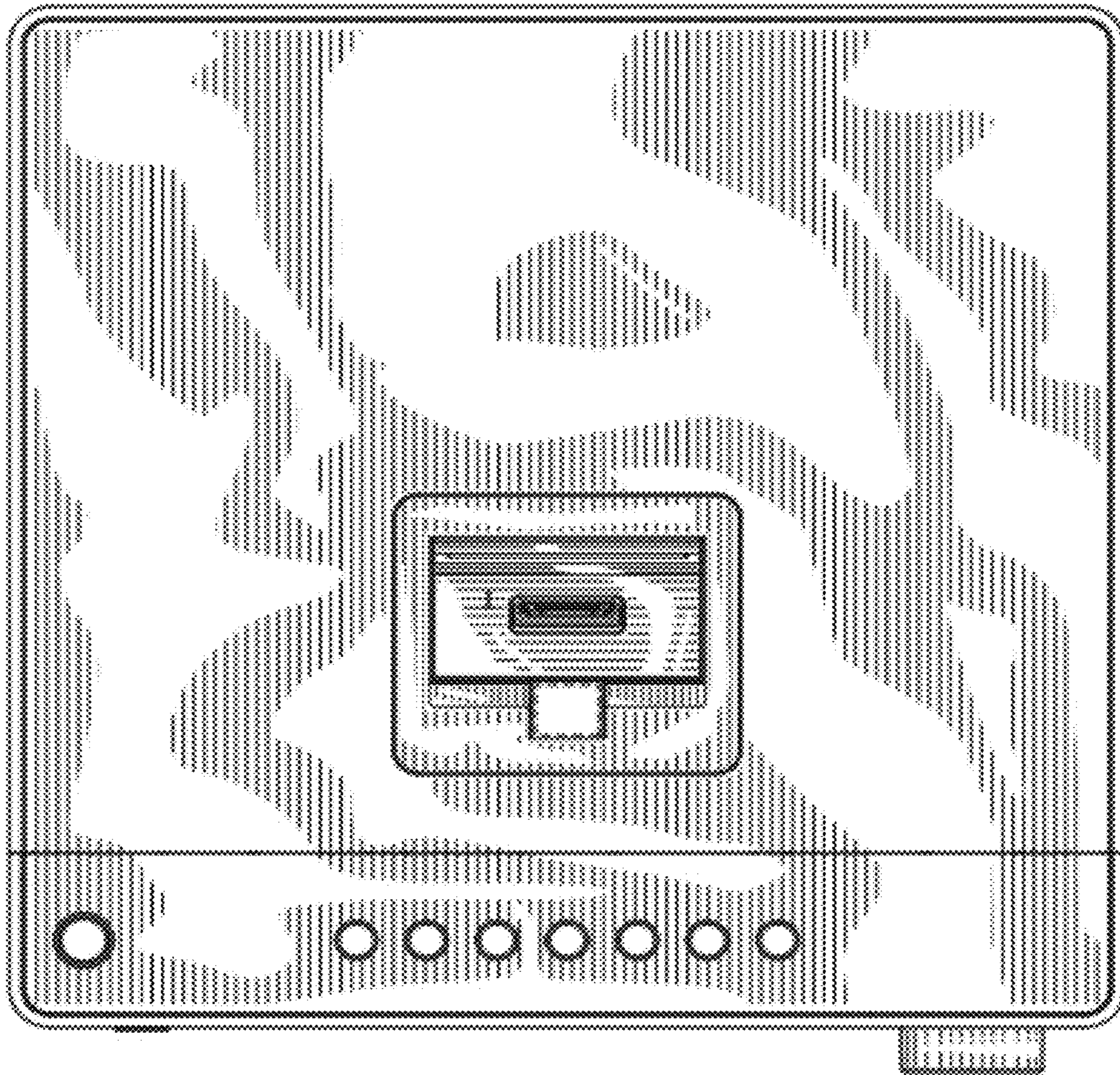


FIG. 6

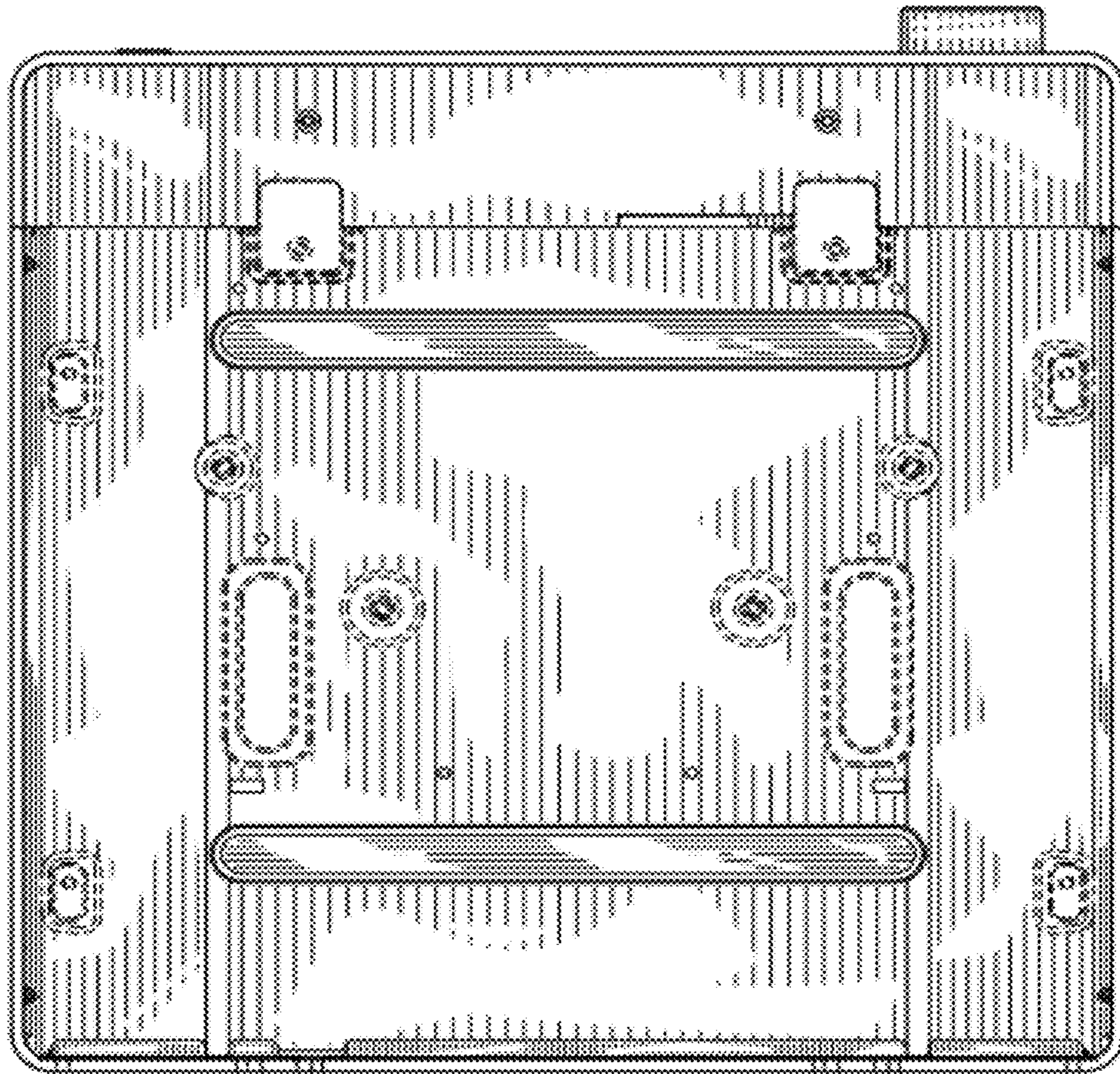


FIG. 7