



US00D675590S

(12) **United States Design Patent**
Daniel

(10) **Patent No.:** **US D675,590 S**

(45) **Date of Patent:** **** Feb. 5, 2013**

(54) **COMMUNICATION DEVICE**

(75) Inventor: **Isaac S. Daniel**, Miramar, FL (US)

(73) Assignee: **F3M3 Companies, Inc.**, Miramar, FL (US)

(**) Term: **14 Years**

(21) Appl. No.: **29/412,189**

(22) Filed: **Jan. 31, 2012**

(51) **LOC (9) Cl.** **14-03**

(52) **U.S. Cl.** **D14/138 G**

(58) **Field of Classification Search** D14/138 R,
D14/138 AD, 138 AC, 138 C, 138 G, 191,
D14/203.1–203.8, 496, 138 AA, 138 AB,
D14/137, 147, 218, 341–347, 247–248; D10/65,
D10/78, 104; D13/168; D18/7; 455/566,
455/575.1, 575.3, 575.4
See application file for complete search history.

(56) **References Cited**

U.S. PATENT DOCUMENTS

D589,487 S *	3/2009	Park et al.	D14/138 AD
D593,059 S *	5/2009	Kim et al.	D14/138 G
D596,605 S *	7/2009	Son et al.	D14/138 AD
D597,512 S *	8/2009	Kim et al.	D14/138 G
D598,880 S *	8/2009	Su	D14/138 G
D606,129 S *	12/2009	Ben-Moshe	D21/517
D615,083 S *	5/2010	Andre et al.	D14/341
D619,555 S *	7/2010	Yang et al.	D14/138 G
D622,270 S *	8/2010	Andre et al.	D14/341
D631,029 S *	1/2011	Park et al.	D14/138 G
D633,461 S *	3/2011	Kim et al.	D14/138 AD
D635,537 S *	4/2011	Kim	D14/138 G
D640,219 S *	6/2011	Sutherland et al.	D14/138 G
D648,693 S *	11/2011	Kim et al.	D14/138 AD
D652,008 S *	1/2012	Kim et al.	D14/138 G
D653,641 S *	2/2012	Chen	D14/138 G
D654,460 S *	2/2012	Kim et al.	D14/138 G

D656,476 S *	3/2012	Han	D14/138 G
D656,918 S *	4/2012	Kim et al.	D14/138 G
D657,329 S *	4/2012	Son	D14/138 G
D663,280 S *	7/2012	Lee	D14/138 AD
D663,709 S *	7/2012	Kim et al.	D14/138 AD
D663,711 S *	7/2012	Lee et al.	D14/138 G
2009/0170573 A1 *	7/2009	Harmon et al.	455/575.4
2010/0323771 A1 *	12/2010	Lai	455/575.4
2011/0070929 A1 *	3/2011	Li	455/575.1

OTHER PUBLICATIONS

Samsung i997 Infuse 4G, announced Jan. 2011, [online], [retrieved on Jan. 6, 2011]. Retrieved from Internet ,<URL: <http://www.gsmarena.com>>.*

Samsung Galaxy S II AT&T, announced Aug. 2011, [online], [retrieved on Sep. 14, 2011]. Retrieved from Internet ,<URL: <http://www.gsmarena.com>>.*

* cited by examiner

Primary Examiner — Bridget L Eland

(74) *Attorney, Agent, or Firm* — Carol N. Green, Esq.

(57) **CLAIM**

The ornamental design for a communication device, as shown and described.

DESCRIPTION

FIG. 1 is a front perspective view of the communication device.

FIG. 2 is a rear perspective view of the communication device.

FIG. 3 is a top view of the communication device.

FIG. 4 is a bottom view of the communication device.

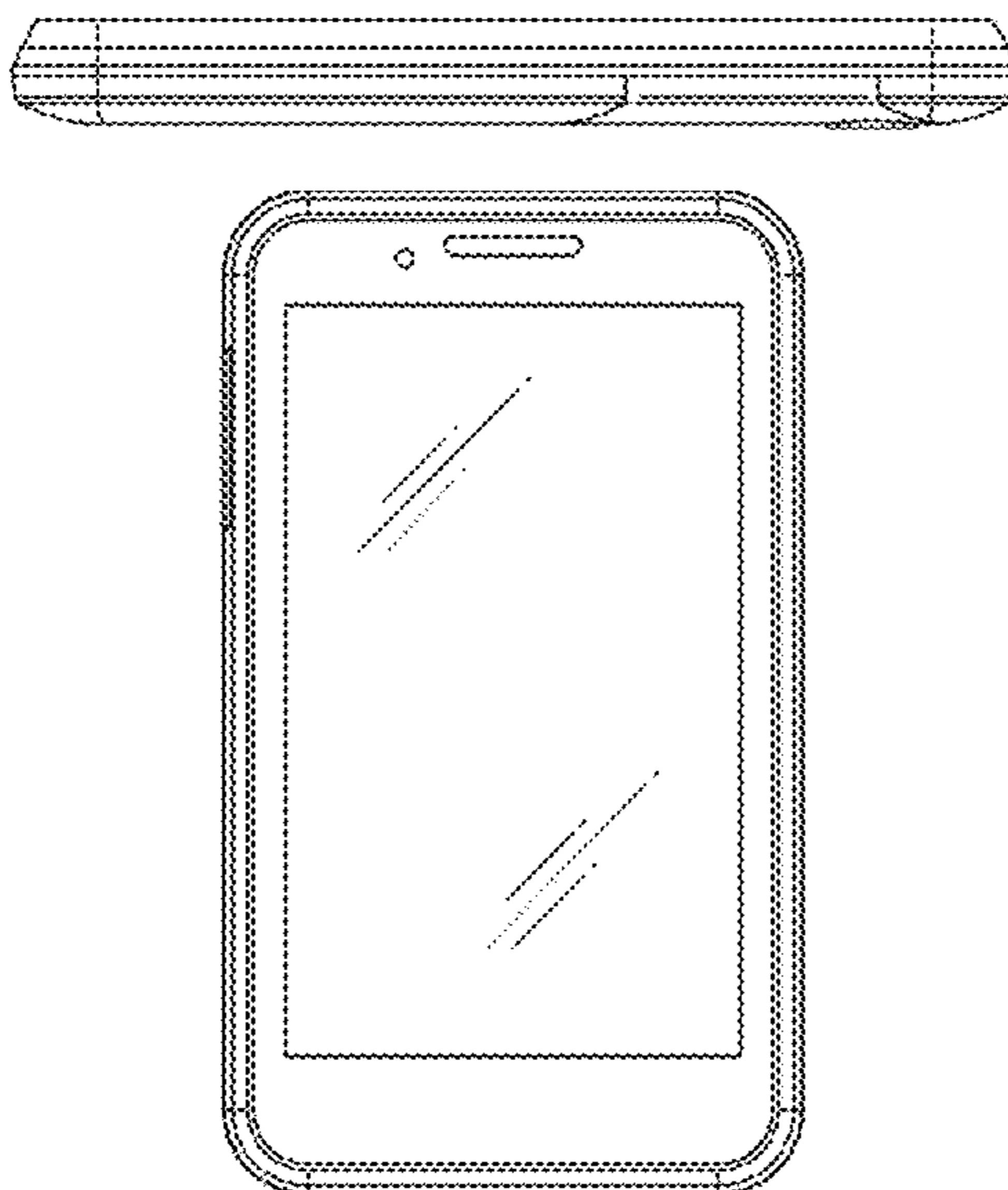
FIG. 5 is a right side view of the communication device.

FIG. 6 is a left side view of the communication device.

FIG. 7 is a front plan view of the communication device; and,

FIG. 8 is a rear plan view of the communication device.

1 Claim, 5 Drawing Sheets



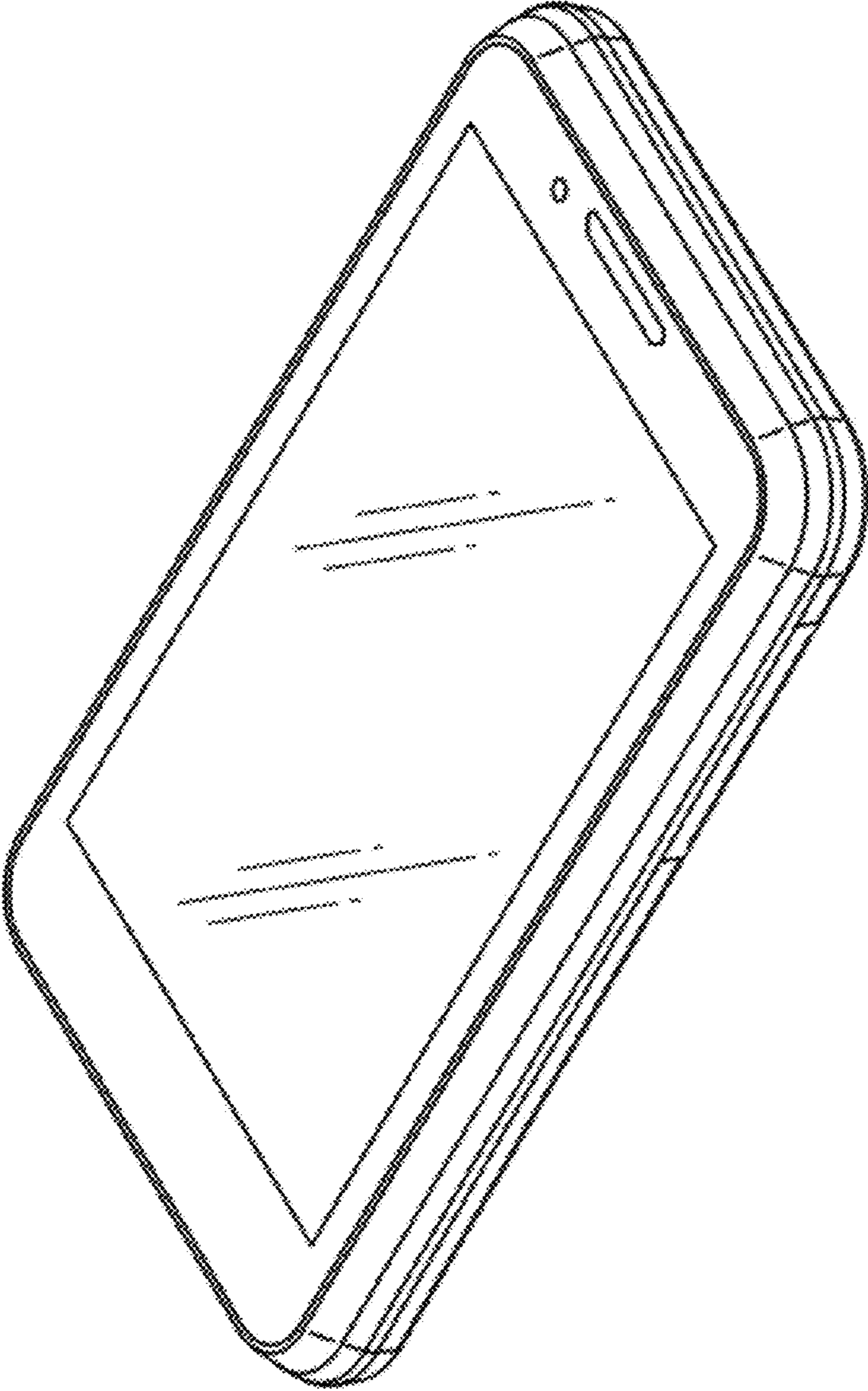


FIG. 1

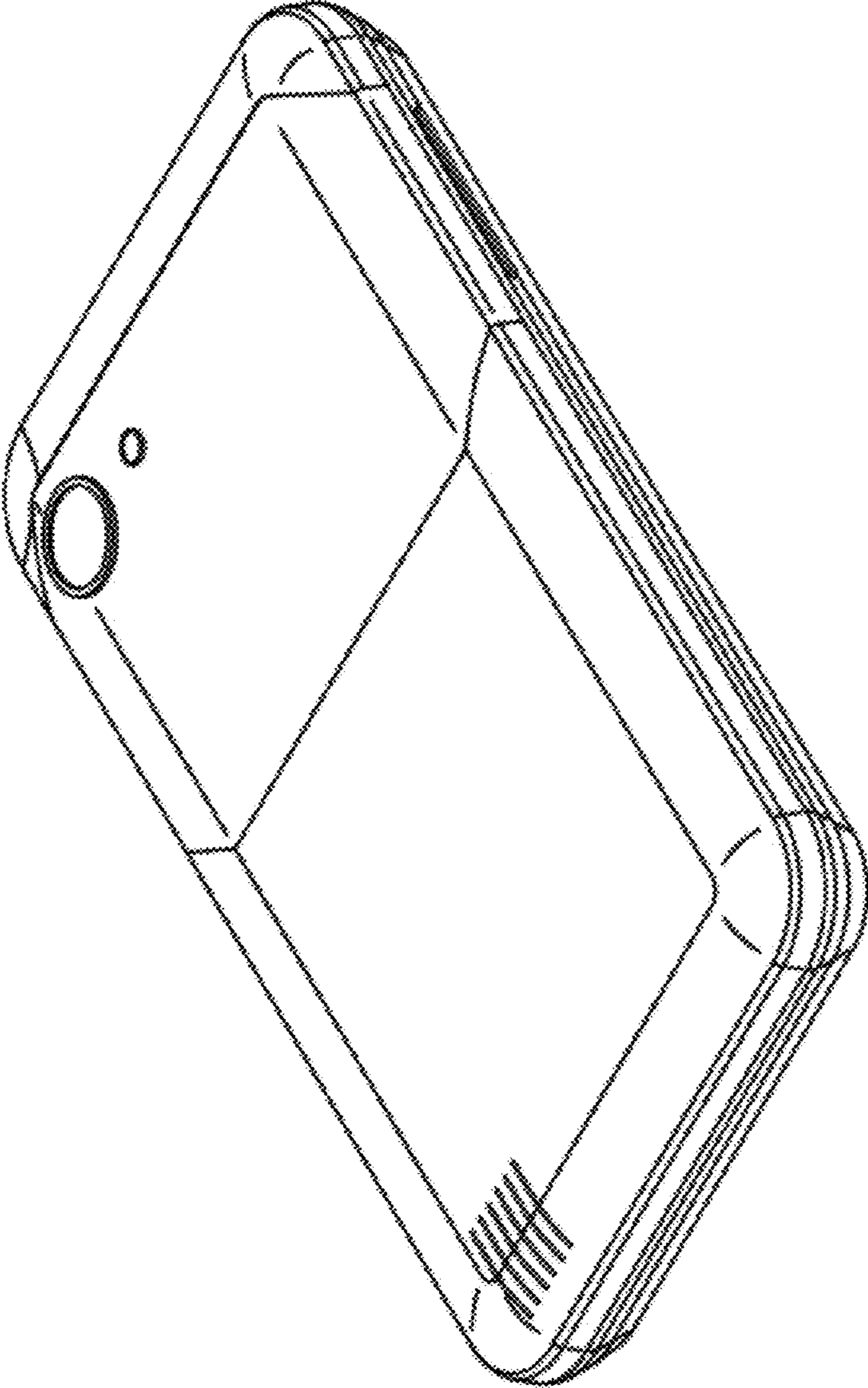


FIG. 2

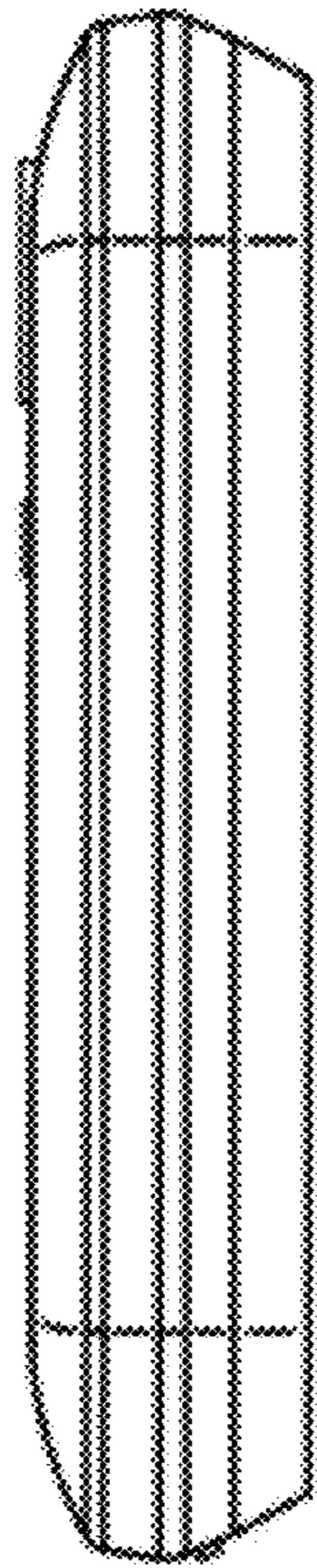


FIG. 3

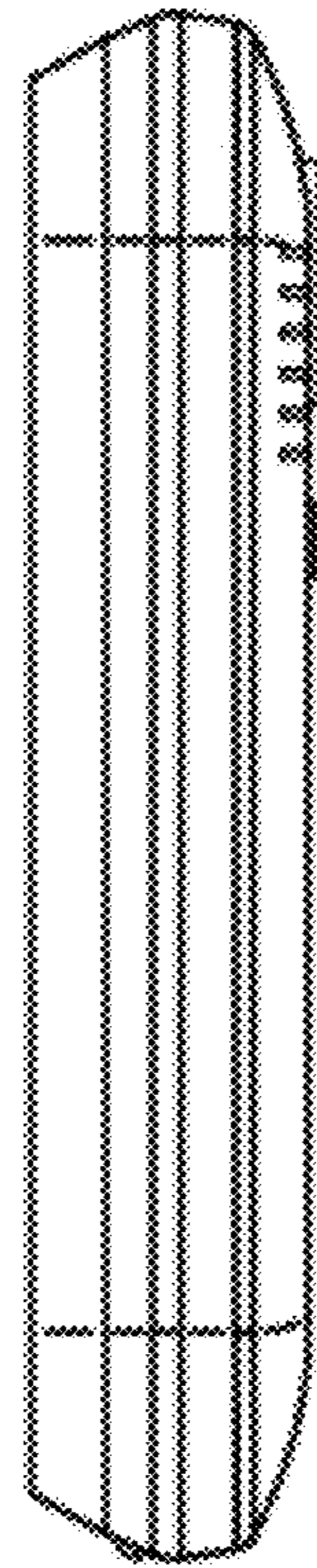


FIG. 4

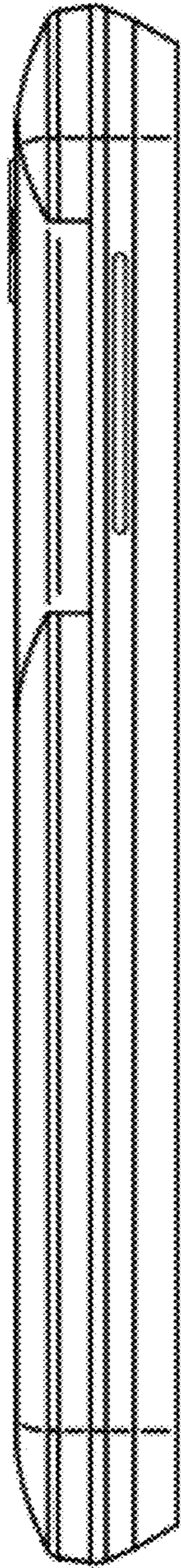


FIG. 5

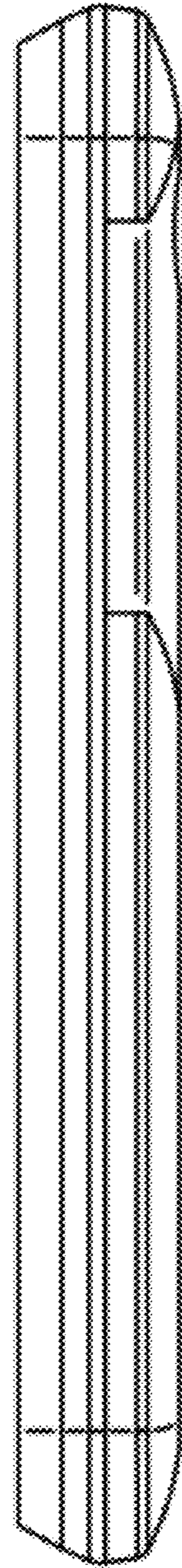


FIG. 6

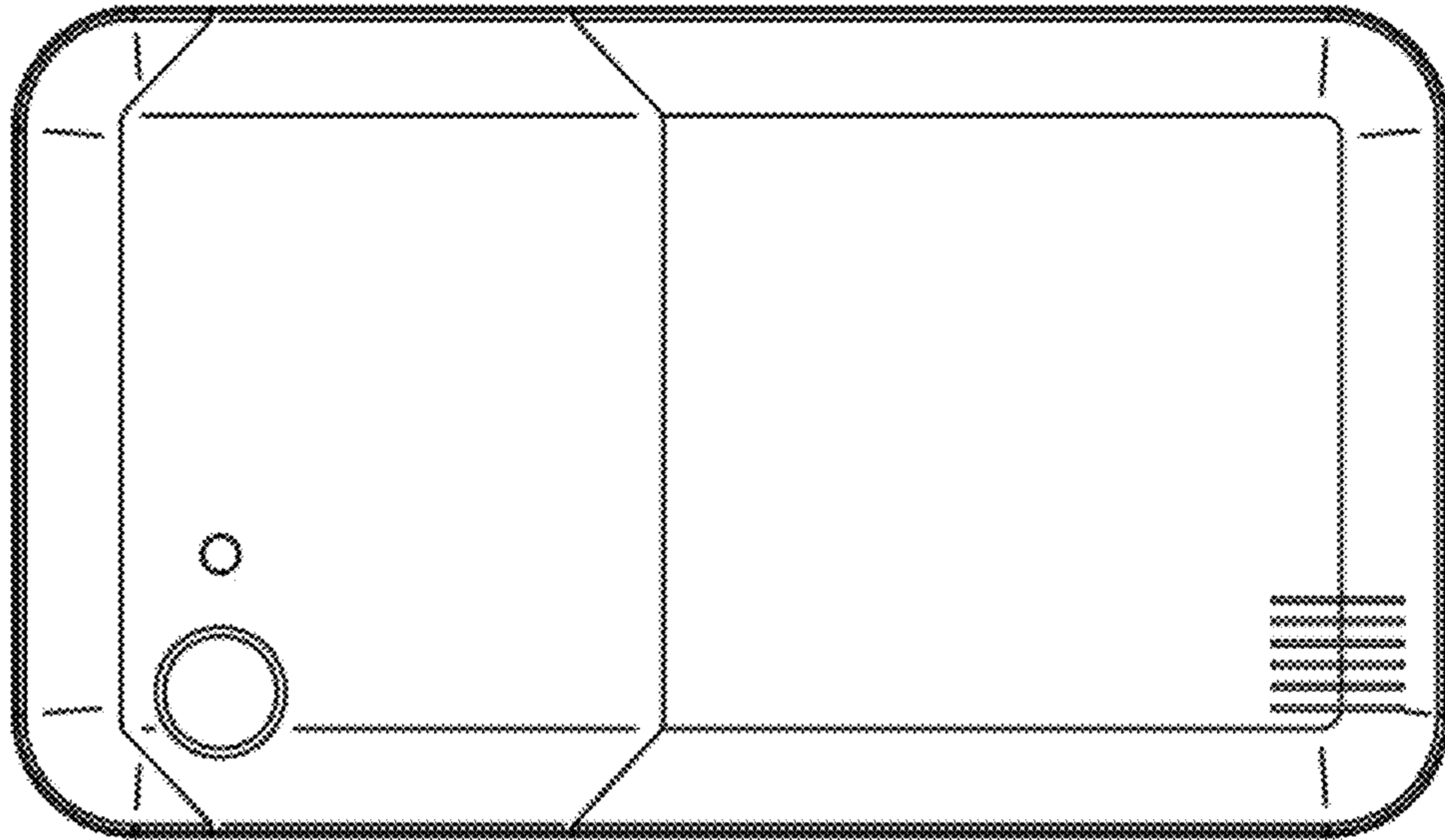


FIG. 8

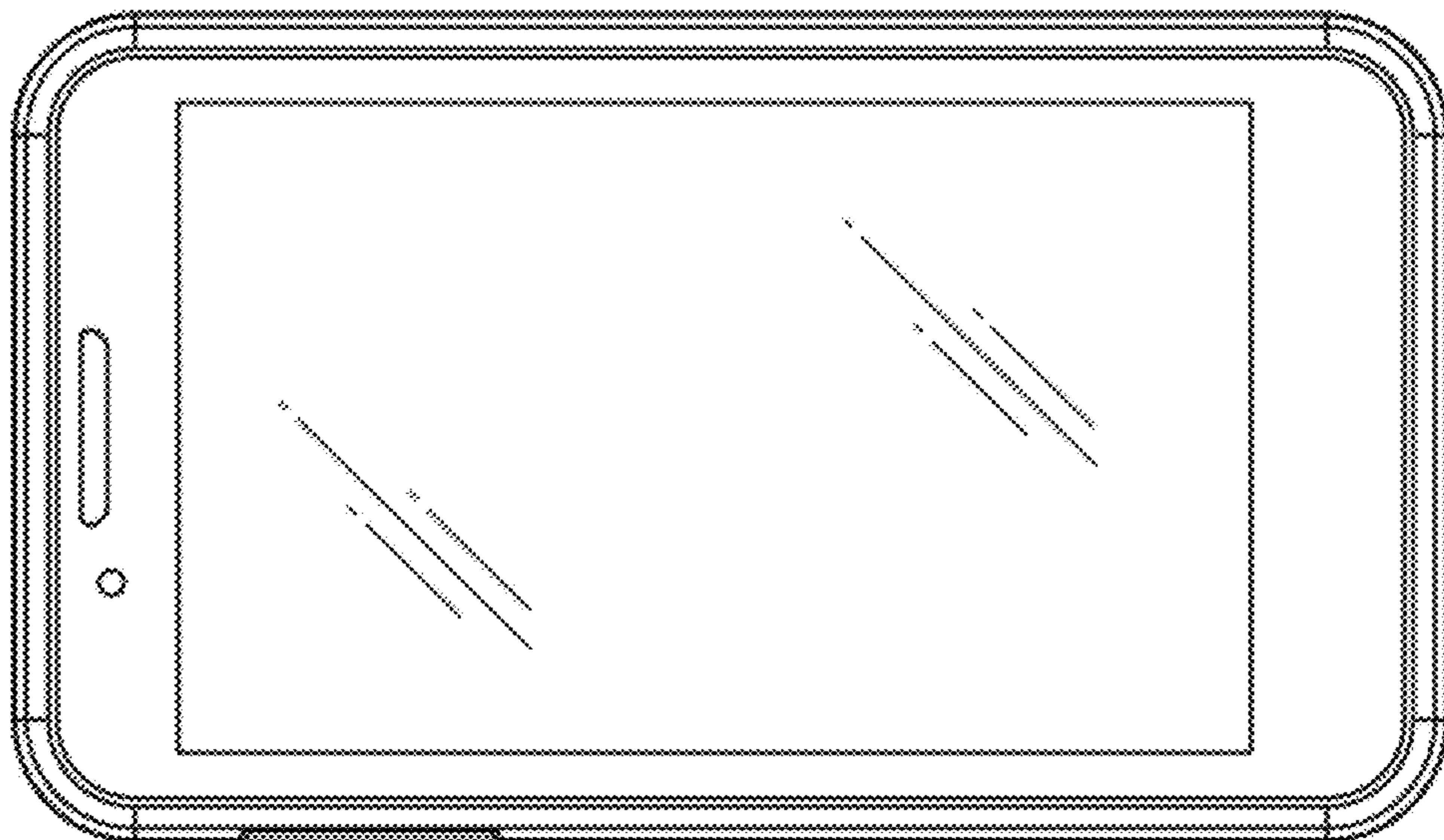


FIG. 7