



US00D675585S

(12) **United States Design Patent**
Park et al.

(10) **Patent No.:** **US D675,585 S**

(45) **Date of Patent:** **** Feb. 5, 2013**

(54) **COMMUNICATION DEVICE**

(75) Inventors: **Cheol Woo Park**, Chicago, IL (US);
Ruben D Castano, Glenview, IL (US);
Xin Se, Beijing (CN)

(73) Assignee: **Motorola Mobility LLC**, Libertyville,
IL (US)

(**) Term: **14 Years**

(21) Appl. No.: **29/404,623**

(22) Filed: **Oct. 24, 2011**

(51) **LOC (9) Cl.** **14-03**

(52) **U.S. Cl.** **D14/138 G**

(58) **Field of Classification Search** D14/138 R,
D14/138 AD, 138 AC, 138 C, 138 G, 191,
D14/203.1–203.8, 496, 138 AA, 138 AB,
D14/137, 147, 218, 341–347, 247–248; D10/65,
D10/78, 104; D13/168; D18/7; 455/566,
455/575.1, 575.3, 575.4

See application file for complete search history.

(56) **References Cited**

U.S. PATENT DOCUMENTS

D578,500 S *	10/2008	Lee et al.	D14/138 G
D579,898 S *	11/2008	Lee et al.	D14/138 G
D581,384 S *	11/2008	Kim et al.	D14/138 AD
D582,377 S *	12/2008	Kim et al.	D14/138 AD
D589,487 S *	3/2009	Park et al.	D14/138 AD
D594,840 S *	6/2009	Kim et al.	D14/138 G
D597,067 S *	7/2009	Oh et al.	D14/203.7
D601,535 S *	10/2009	Huang	D14/138 AD
D604,716 S *	11/2009	Oh et al.	D14/203.7
D615,059 S *	5/2010	Price et al.	D14/138 G
D622,692 S *	8/2010	McWilliam et al.	D14/138 G
D627,325 S *	11/2010	Zhang et al.	D14/138 AB
D635,537 S *	4/2011	Kim	D14/138 G
D640,219 S *	6/2011	Sutherland et al.	D14/138 G
D641,001 S *	7/2011	Finney et al.	D14/138 G
D645,441 S *	9/2011	Choe et al.	D14/138 G
D646,248 S *	10/2011	Lee	D14/138 G
D652,812 S *	1/2012	Kim	D14/138 G
D657,332 S *	4/2012	Veiga et al.	D14/138 G
D658,147 S *	4/2012	Yoon	D14/138 G

D658,148 S *	4/2012	Park	D14/138 AD
D664,941 S *	8/2012	Price et al.	D14/138 G
D665,371 S *	8/2012	Finney et al.	D14/138 G
2009/0303199 A1 *	12/2009	Cho et al.	345/173
2010/0099463 A1 *	4/2010	Kim et al.	455/566

OTHER PUBLICATIONS

Gigabyte GSmart G1355, announced Feb. 2012, [online], [retrieved on Mar. 15, 2012]. Retrieved from Internet ,<URL: <http://www.gsmarena.com>>.*

(Continued)

Primary Examiner — Bridget L Eland

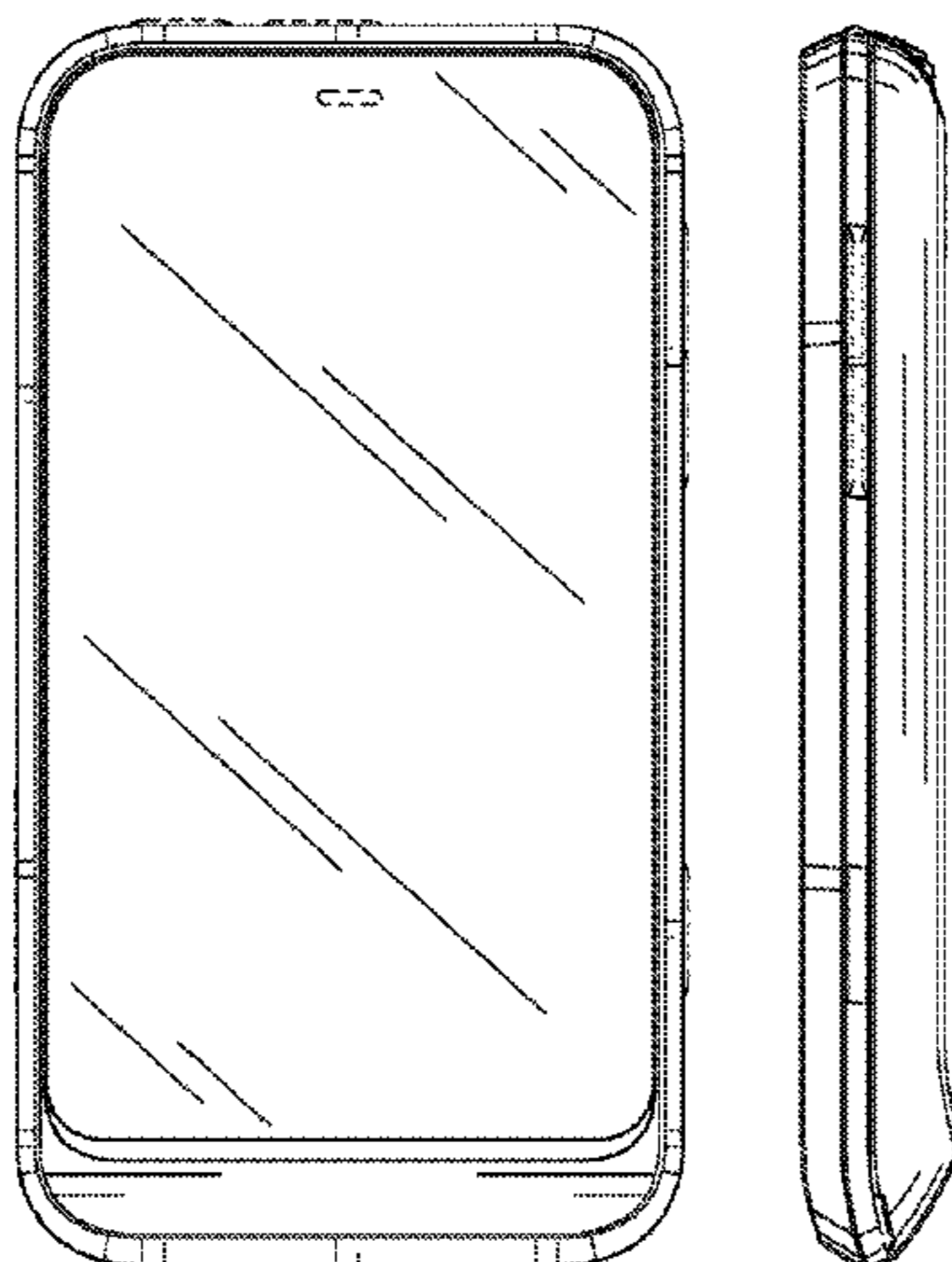
(57) **CLAIM**

The ornamental design for a communication device, as shown and described.

DESCRIPTION

FIG. 1 is a front perspective view of a first embodiment of an ornamental design for a communication device;
FIG. 2 is a rear perspective view of the first embodiment thereof;
FIG. 3 is a front view of the first embodiment thereof;
FIG. 4 is a rear view of the first embodiment thereof;
FIG. 5 is a first side view of the first embodiment thereof;
FIG. 6 is a second side view of the first embodiment thereof;
FIG. 7 is a top view of the first embodiment thereof; and
FIG. 8 is a bottom view of the first embodiment thereof.
FIG. 9 is a front perspective view of a second embodiment of an ornamental design for a communication device;
FIG. 10 is a rear perspective view of the second embodiment thereof;
FIG. 11 is a front view of the second embodiment thereof;
FIG. 12 is a rear view of the second embodiment thereof;
FIG. 13 is a first side view of the second embodiment thereof;
FIG. 14 is a second side view of the second embodiment thereof;
FIG. 15 is a top view of the second embodiment thereof; and,
FIG. 16 is a bottom view of the second embodiment thereof.
The broken lines shown in FIGS. 1-8, that are immediately adjacent to the shaded areas, and define unshaded regions, represent the bounds of the first embodiment, while all other broken lines are directed to environment and are for illustrative purposes only; the broken lines form no part of the first embodiment.

1 Claim, 10 Drawing Sheets



OTHER PUBLICATIONS

LG Revolution, announced Jan. 2011, [online], [retrieved on Feb. 1, 2011]. Retrieved from Internet ,<URL: <http://www.gsmarena.com>>.*

Motorola Defy XT, announced Jul. 2012, [online], [retrieved on Aug. 21, 2012]. Retrieved from Internet ,<URL: <http://www.gsmarena.com>>.*

ZTE Skate Acqua, announced Feb. 2012, [online], [retrieved on Mar. 15, 2012]. Retrieved from Internet ,<URL: <http://www.gsmarena.com>>.*

ZTE N880E, announced May 2012, [online], [retrieved on Aug. 22, 2012]. Retrieved from Internet ,<URL: <http://www.gsmarena.com>>.*

Motorola XT928, announced Dec. 2011, [online], [retrieved on Feb. 3, 2012]. Retrieved from Internet ,<URL: <http://www.gsmarena.com>>.*

Motorola Defy Mini XT320, announced Jan. 2012, [online], [retrieved on Feb. 3, 2012]. Retrieved from Internet ,<URL: <http://www.gsmarena.com>>.*

Motorola Defy XT535, announced Mar. 2012, [online], [retrieved on Mar. 15, 2012]. Retrieved from Internet ,<URL: <http://www.gsmarena.com>>.*

* cited by examiner

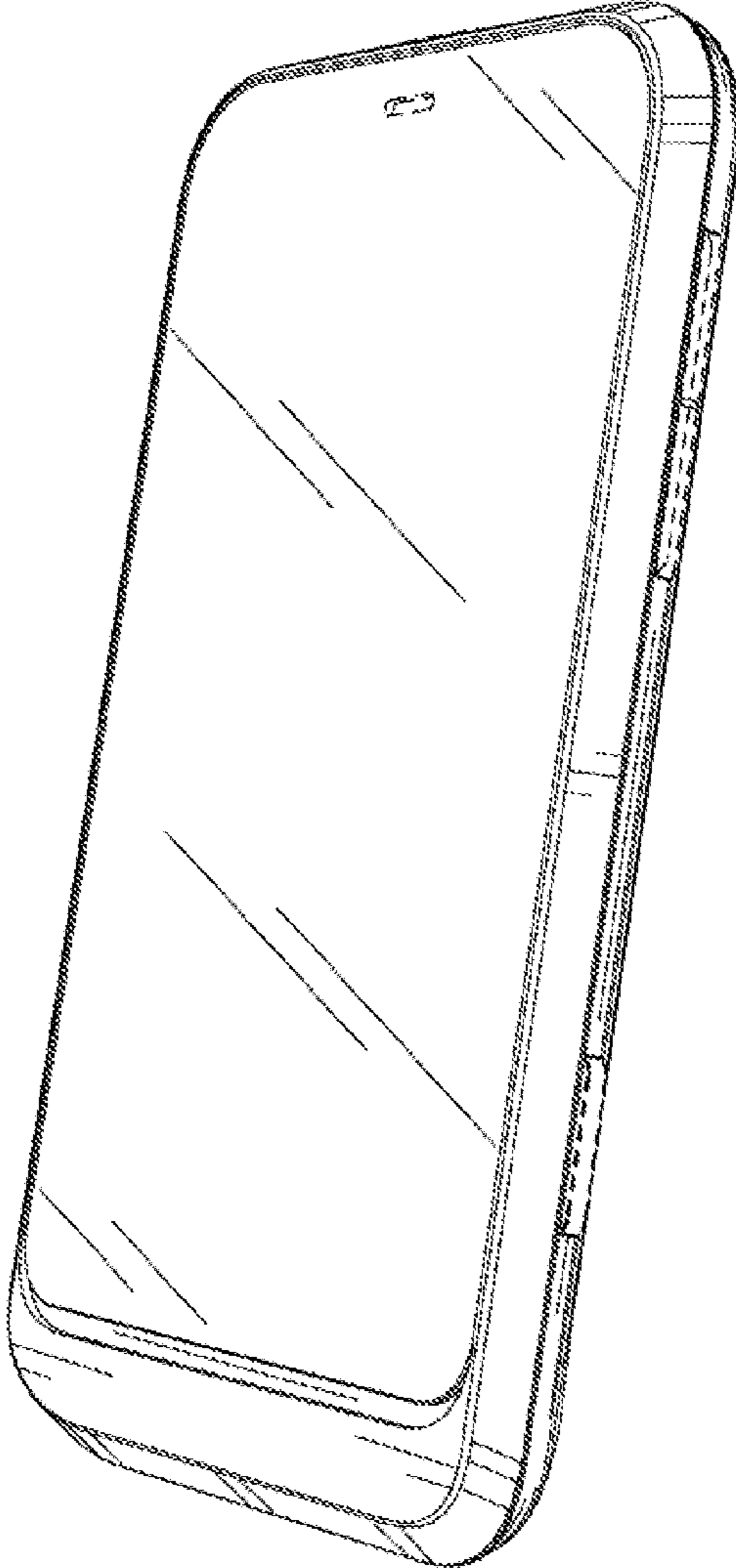


FIG. 1

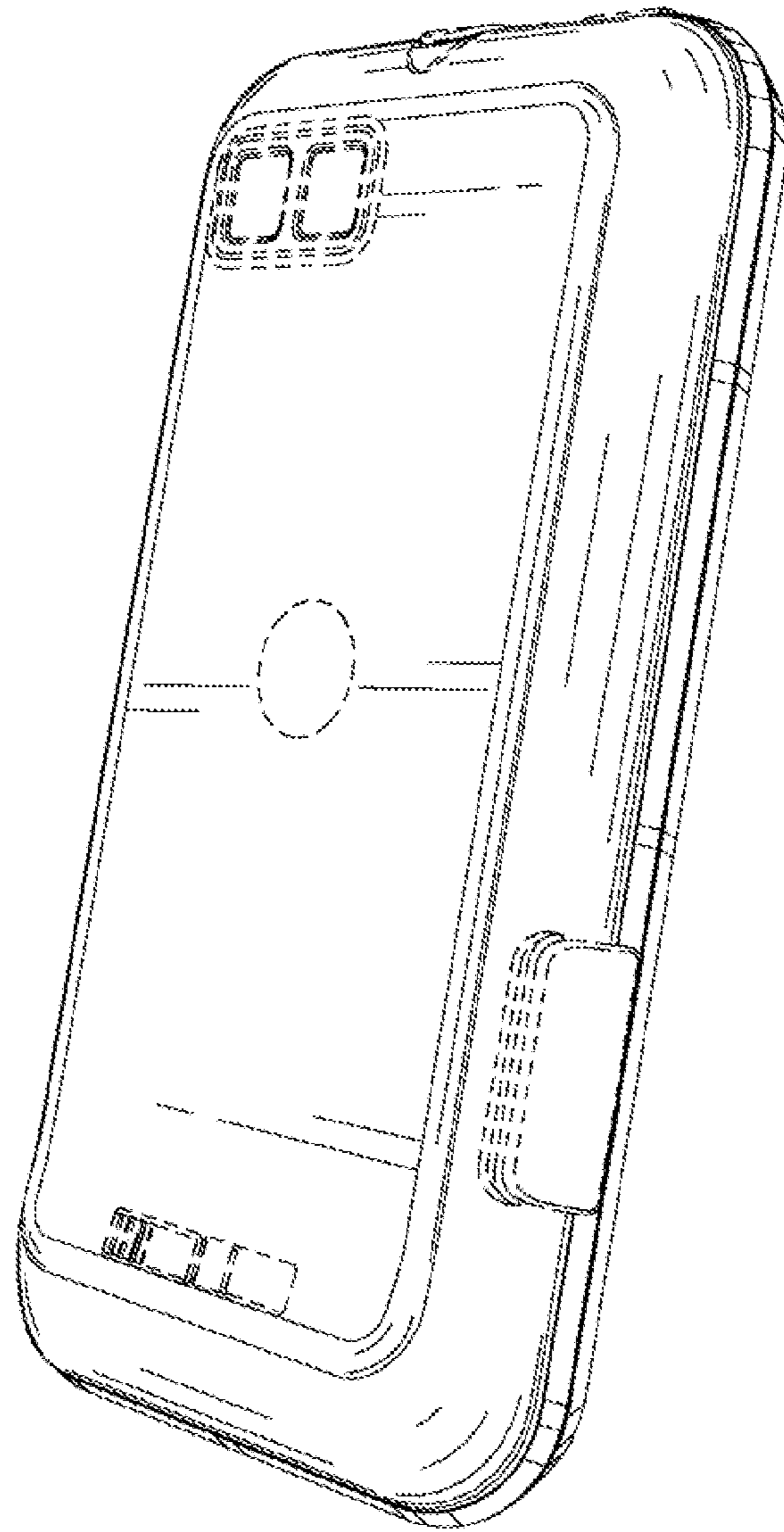


FIG. 2

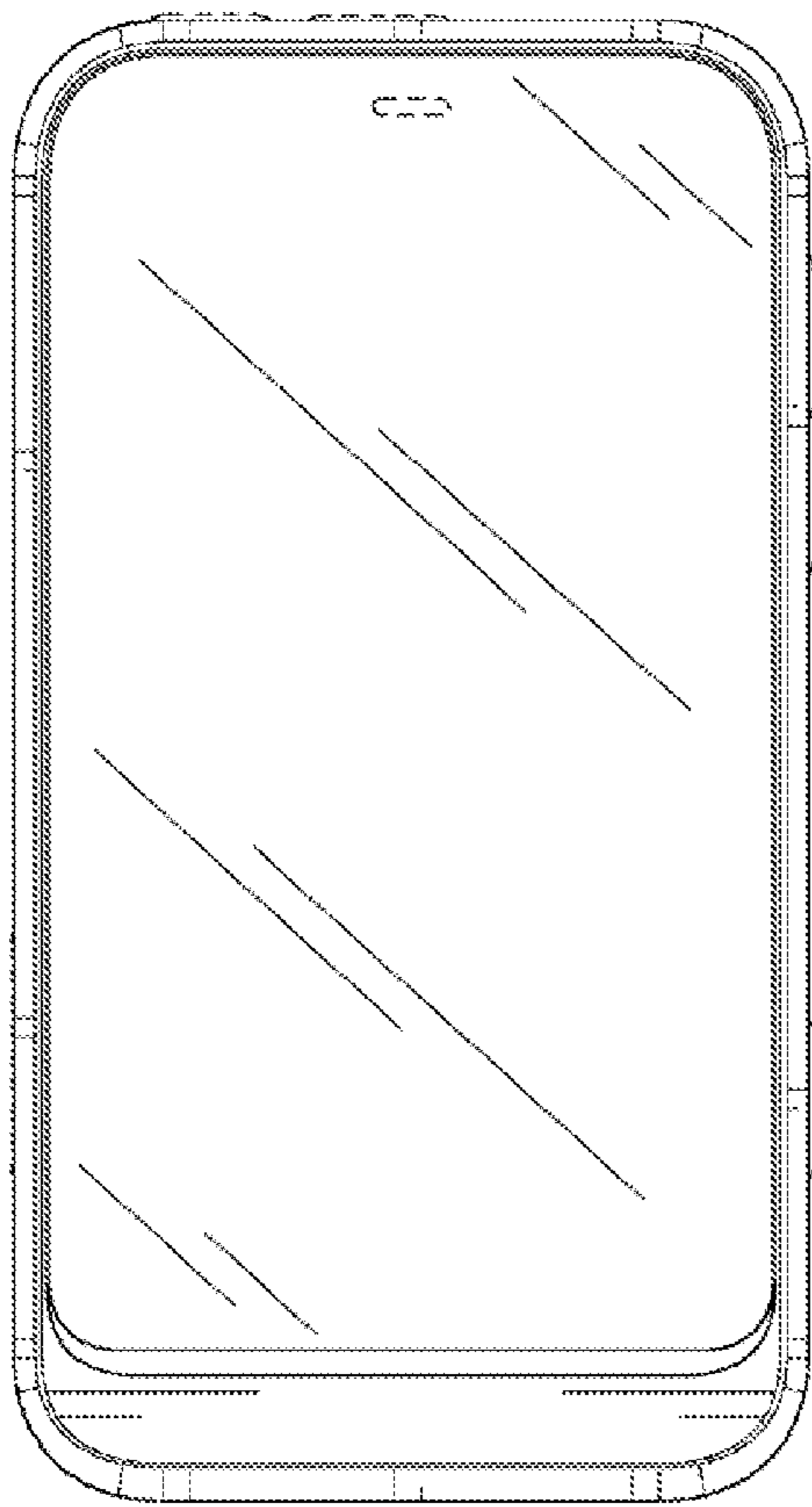


FIG. 3

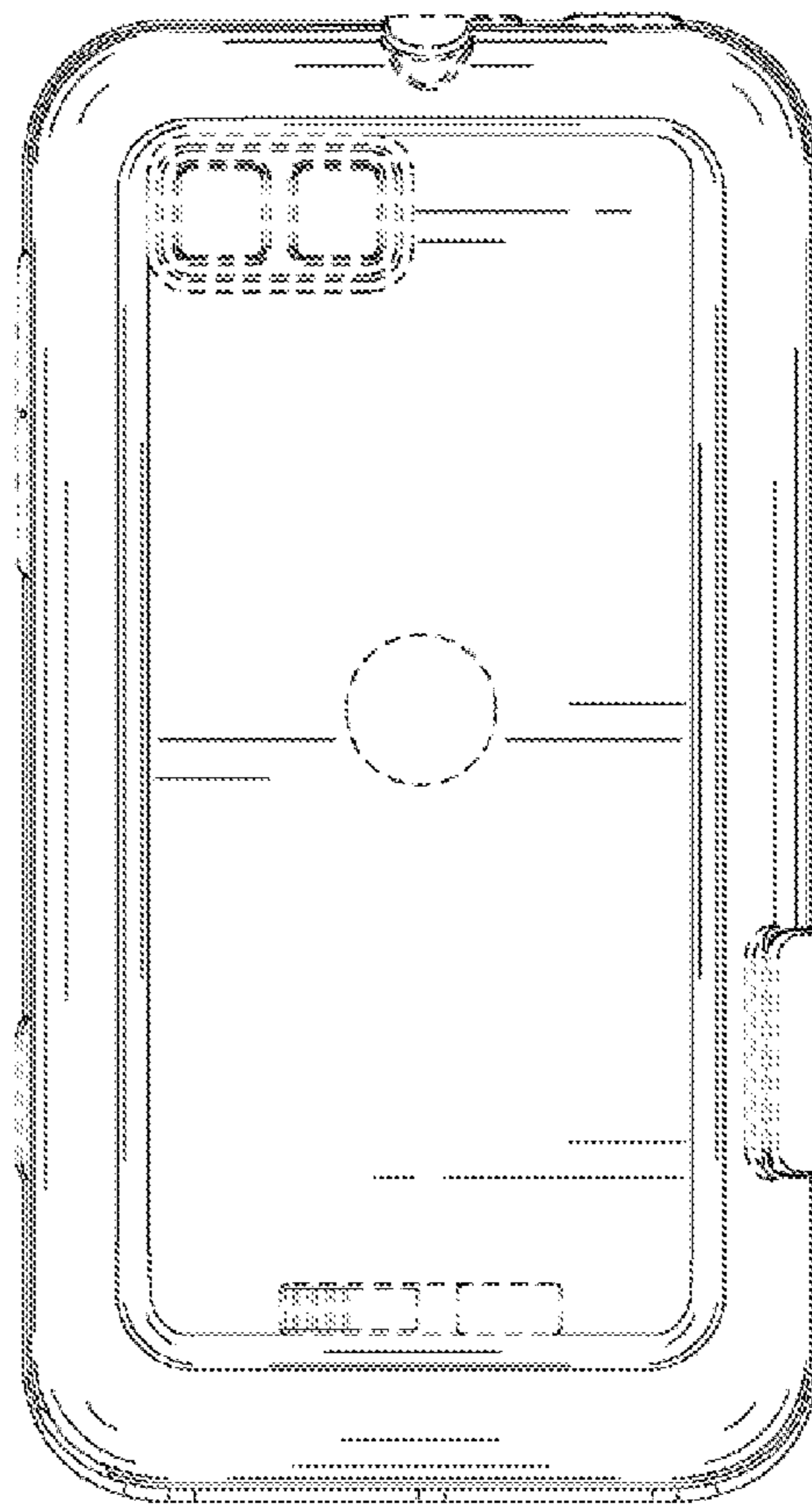


FIG. 4

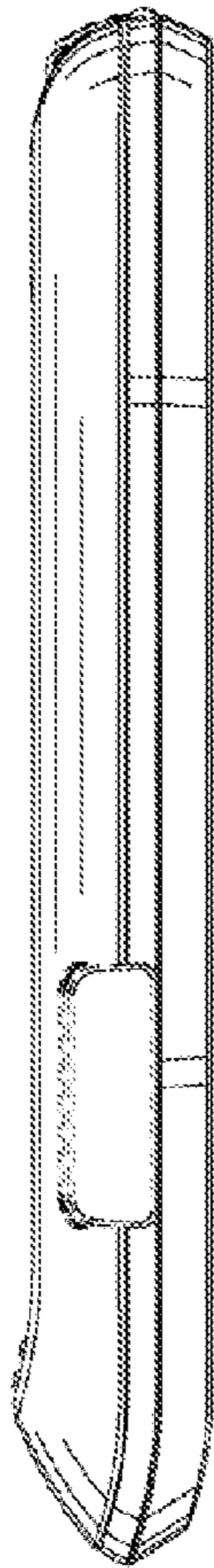


FIG. 5

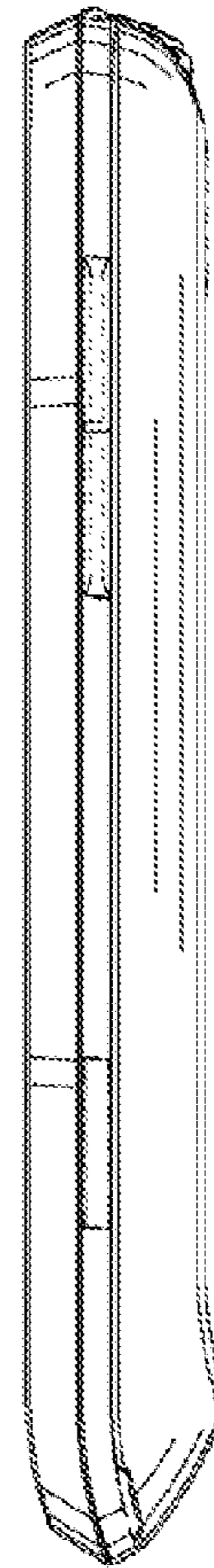


FIG. 6

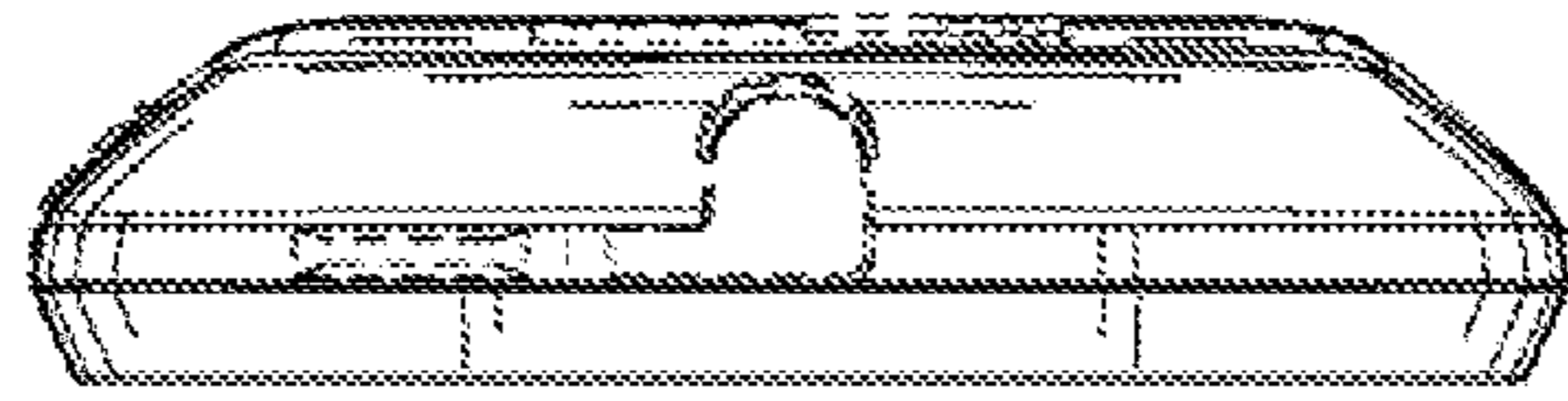


FIG. 7

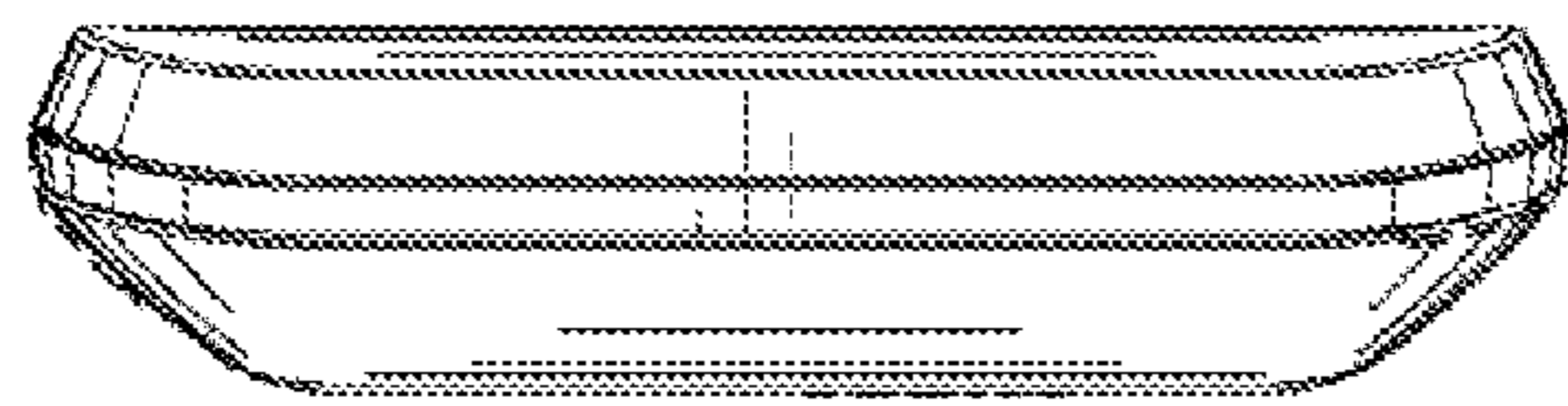


FIG. 8

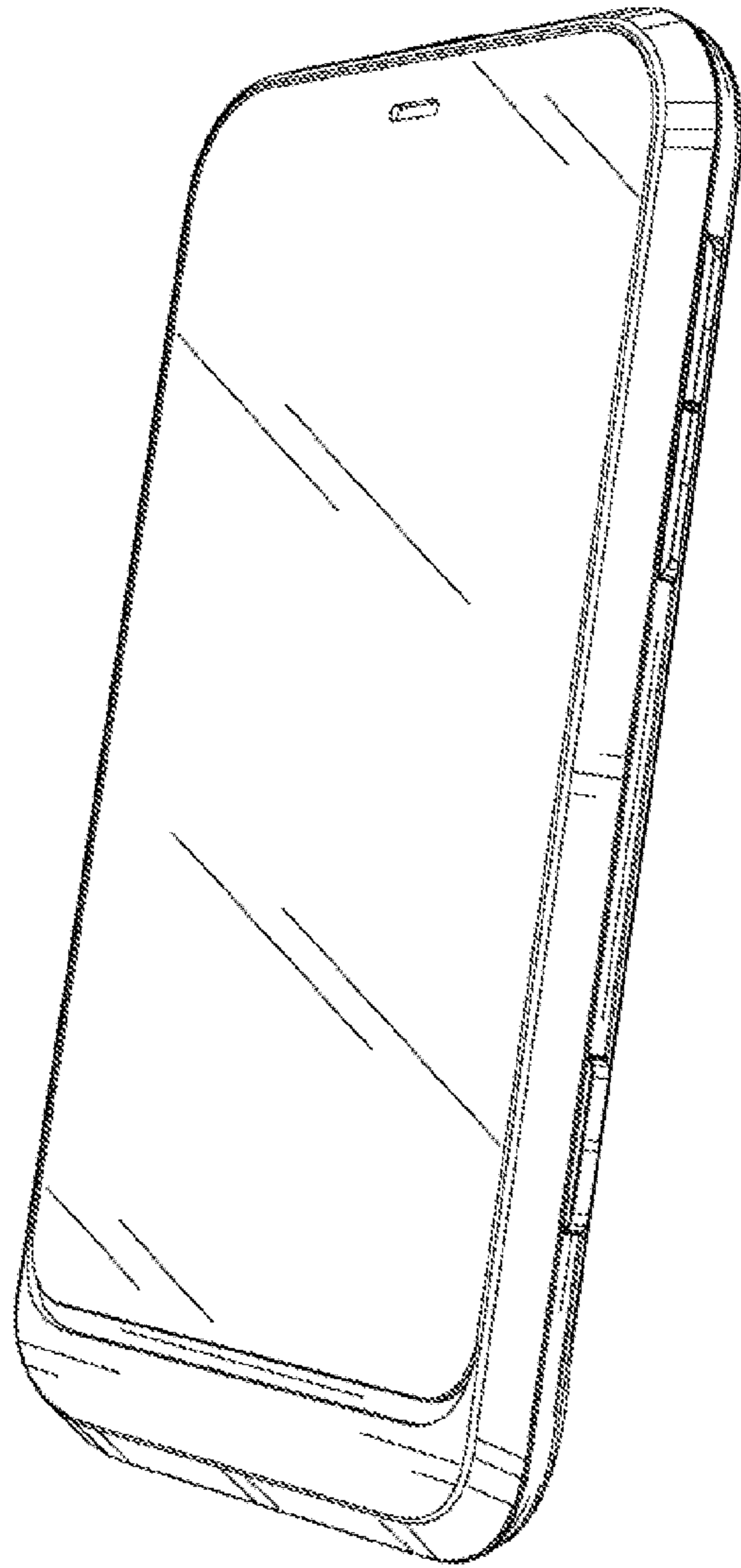


FIG. 9

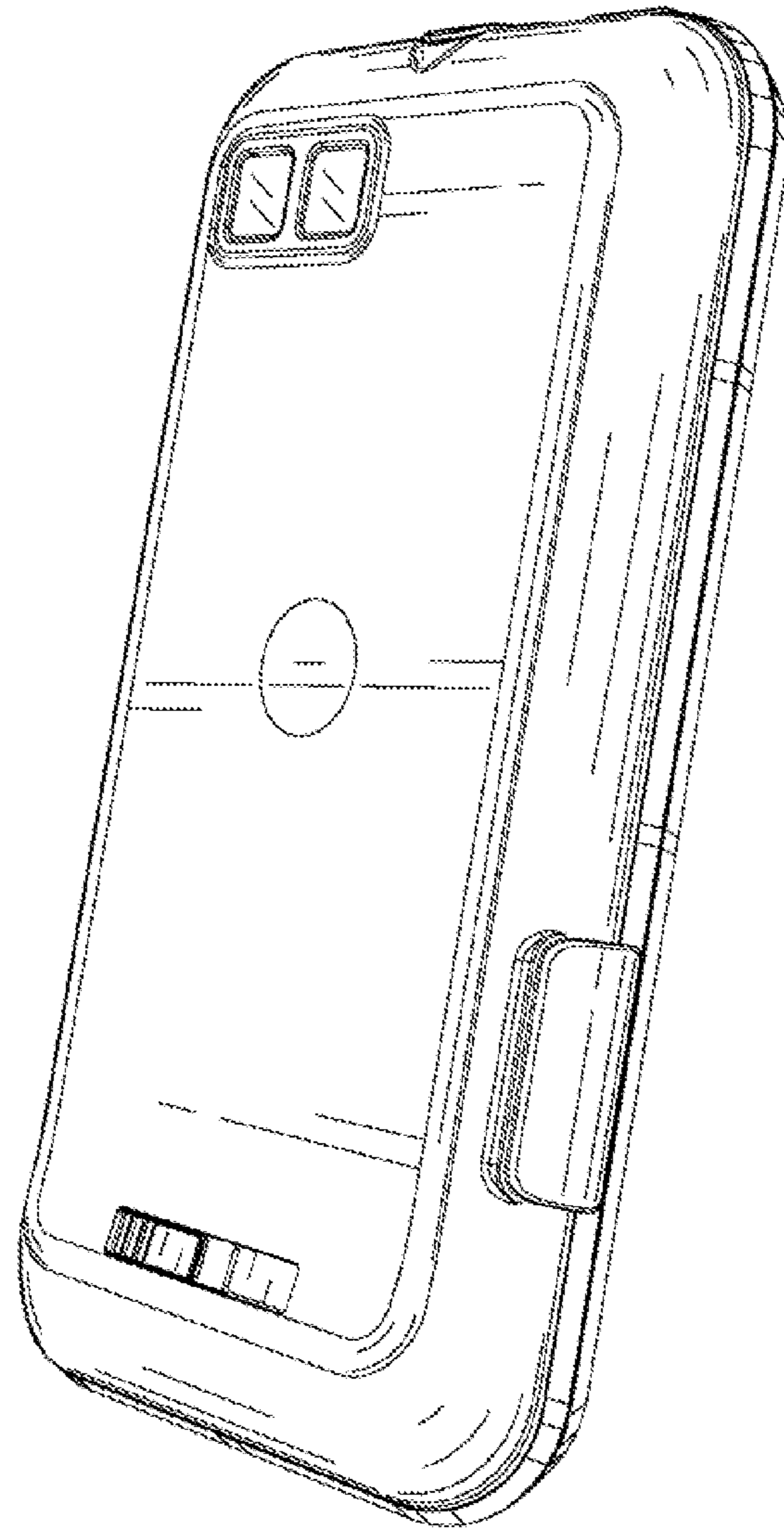


FIG. 10

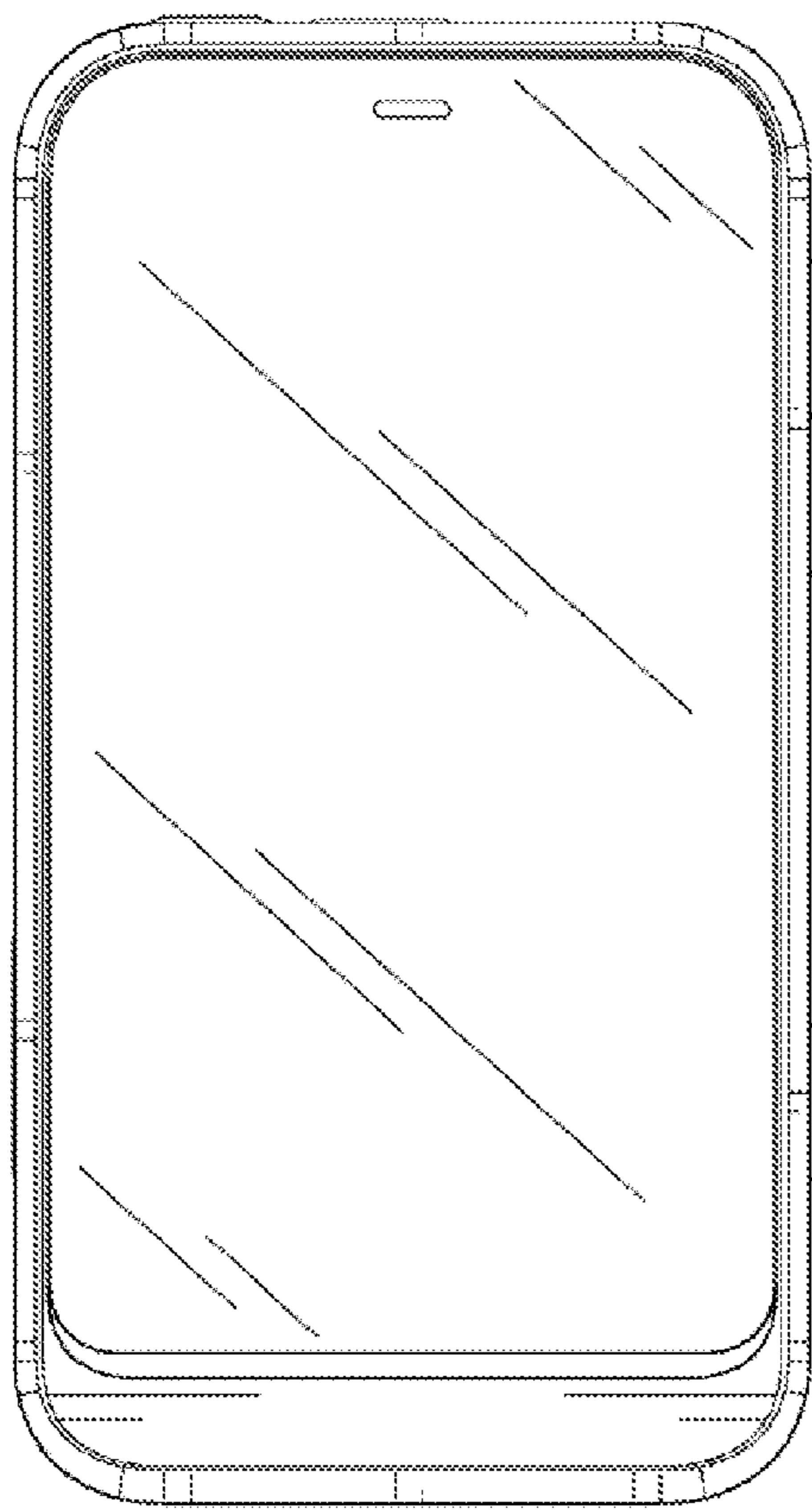


FIG. 11

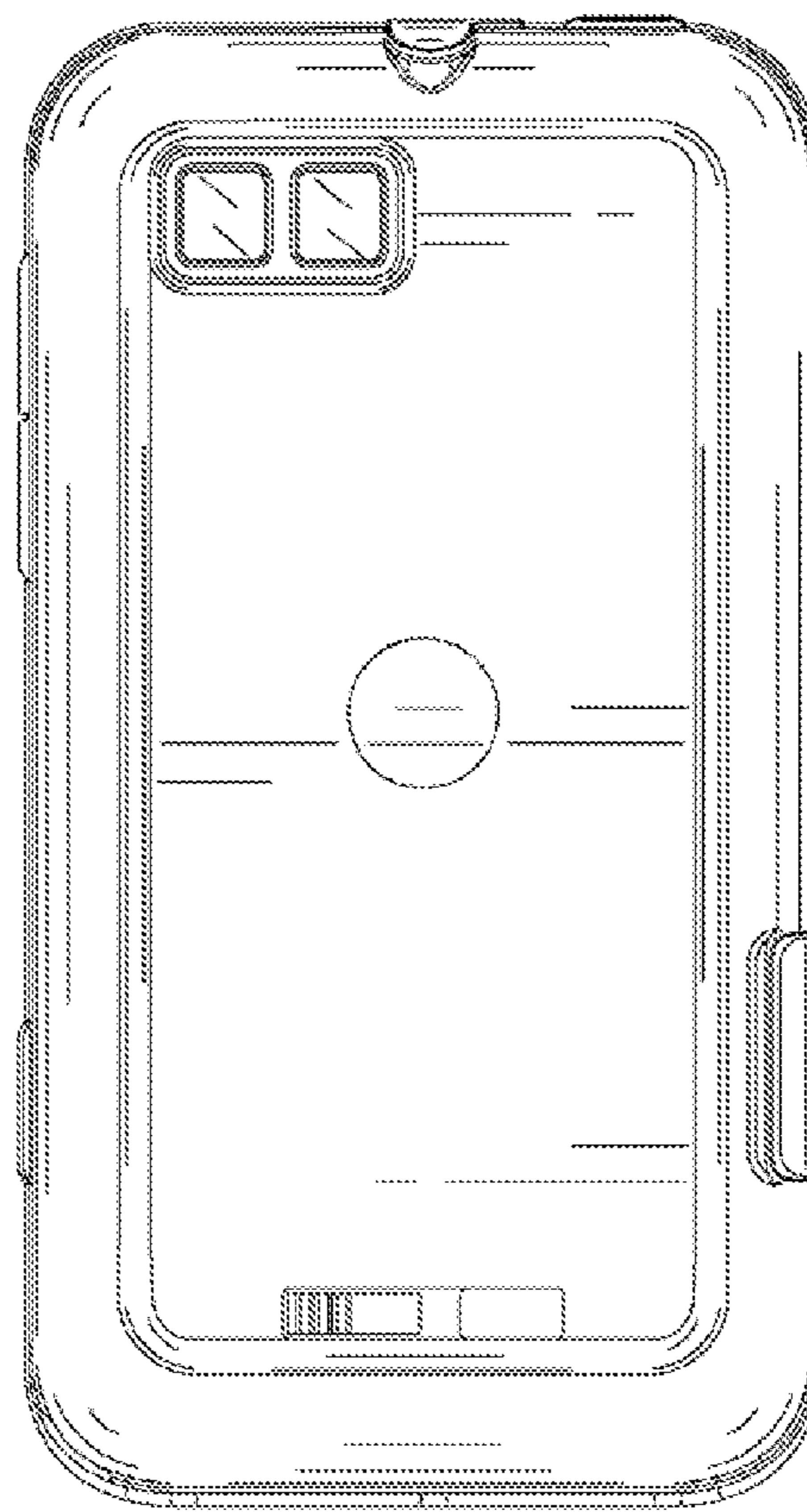


FIG. 12

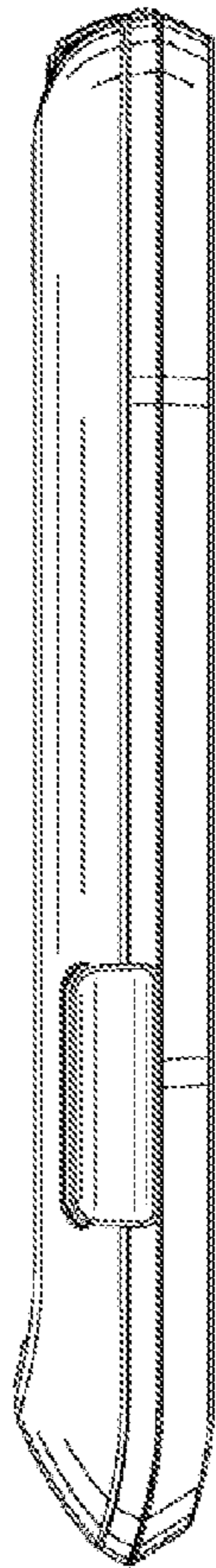


FIG. 13

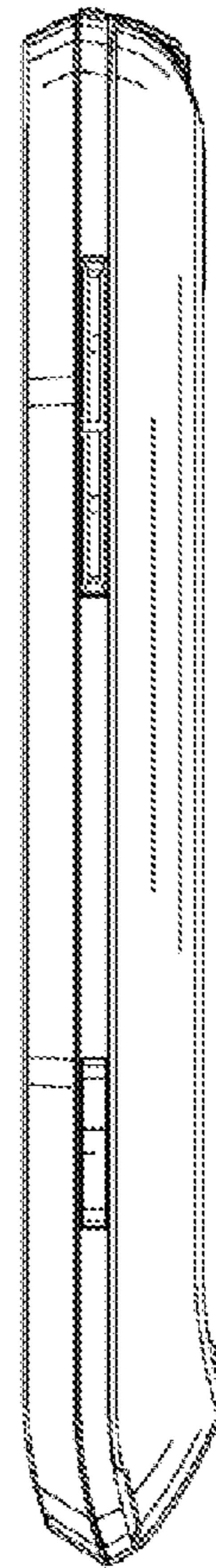


FIG. 14

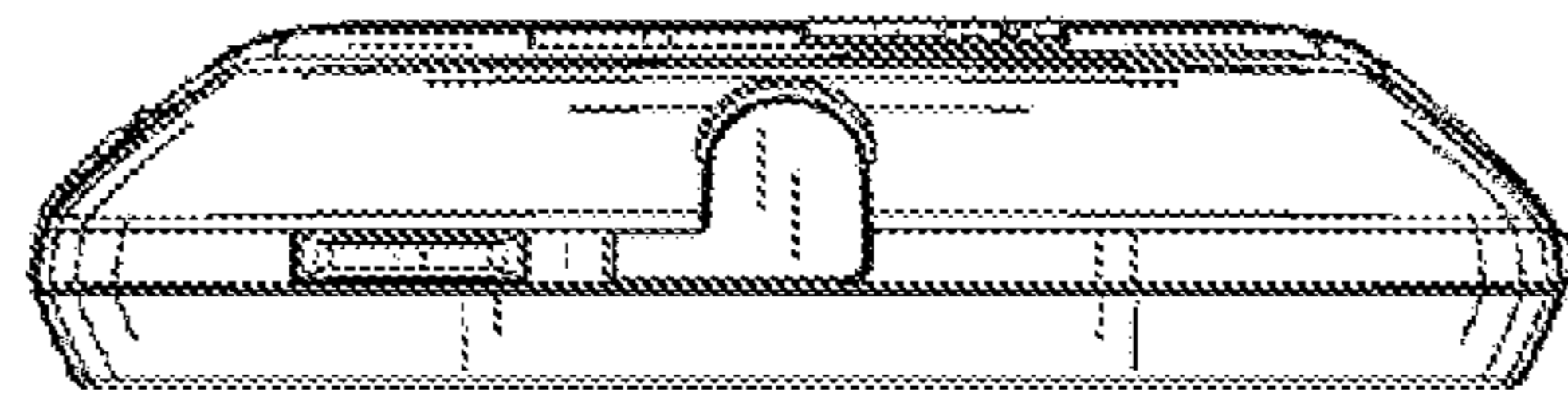


FIG. 15

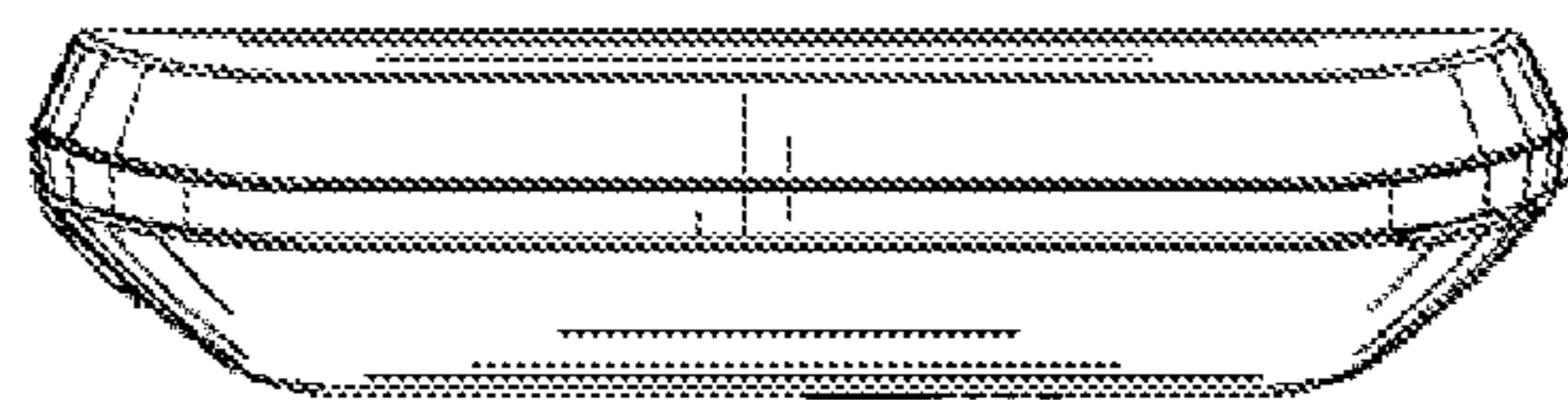


FIG. 16