



US00D675582S

(12) **United States Design Patent**
Segler et al.

(10) **Patent No.:** **US D675,582 S**

(45) **Date of Patent:** **** Feb. 5, 2013**

(54) **CHIP ASSEMBLY**

(75) Inventors: **Ken Segler**, North Las Vegas, NV (US);
Joseph Cachia, Las Vegas, NV (US)

(73) Assignee: **Uninet Imaging, Inc.**, Hawthorne, CA
(US)

(**) Term: **14 Years**

(21) Appl. No.: **29/396,216**

(22) Filed: **Jun. 27, 2011**

(51) **LOC (9) Cl.** **13-03**

(52) **U.S. Cl.** **D13/182**

(58) **Field of Classification Search** D13/182,
D13/133; 174/528, 531, 533, 536, 537; 257/666,
257/670, 678, 690, 692, 734, 735
See application file for complete search history.

(56) **References Cited**

U.S. PATENT DOCUMENTS

5,469,074	A	*	11/1995	Drabenstadt et al.	324/756.02
D475,028	S	*	5/2003	Hori et al.	D13/182
D489,338	S	*	5/2004	Seddon et al.	D13/182
D504,874	S	*	5/2005	Celaya et al.	D13/182
D510,728	S	*	10/2005	Celaya et al.	D13/182

D514,074	S	*	1/2006	Kamidoi et al.	D13/182
D560,623	S	*	1/2008	Harnden et al.	D13/182
7,701,723	B2	*	4/2010	Peng et al.	361/752
D639,253	S	*	6/2011	Tsai et al.	D13/182
D648,290	S	*	11/2011	Mori	D13/182
2004/0242046	A1	*	12/2004	Ohtsuki et al.	439/329
2005/0087848	A1	*	4/2005	Yoon et al.	257/676
2009/0230537	A1	*	9/2009	Liu et al.	257/690

* cited by examiner

Primary Examiner — Thomas Johannes

(74) *Attorney, Agent, or Firm* — Marc E. Hankin; Kevin Schraven; Hankin Patent Law, APC

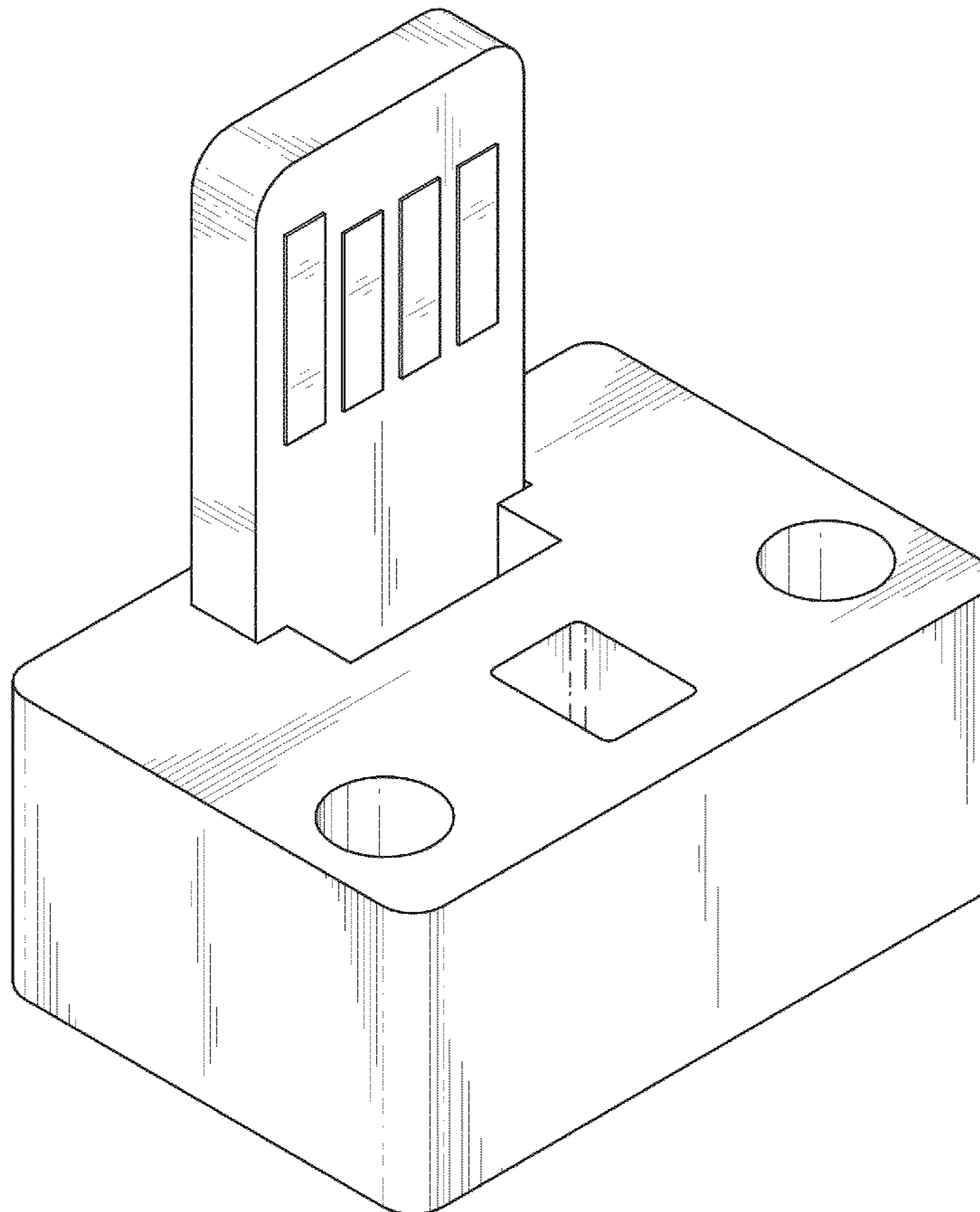
(57) **CLAIM**

The ornamental design for a chip assembly, as shown.

DESCRIPTION

FIG. 1 is a top and front perspective view of a chip assembly showing our new design;
FIG. 2 is a top view thereof;
FIG. 3 is a bottom view thereof;
FIG. 4 is a left side view thereof;
FIG. 5 is a right side view thereof;
FIG. 6 is a front view thereof;
FIG. 7 is a rear view thereof; and,
FIG. 8 is a bottom and rear perspective view thereof.

1 Claim, 8 Drawing Sheets



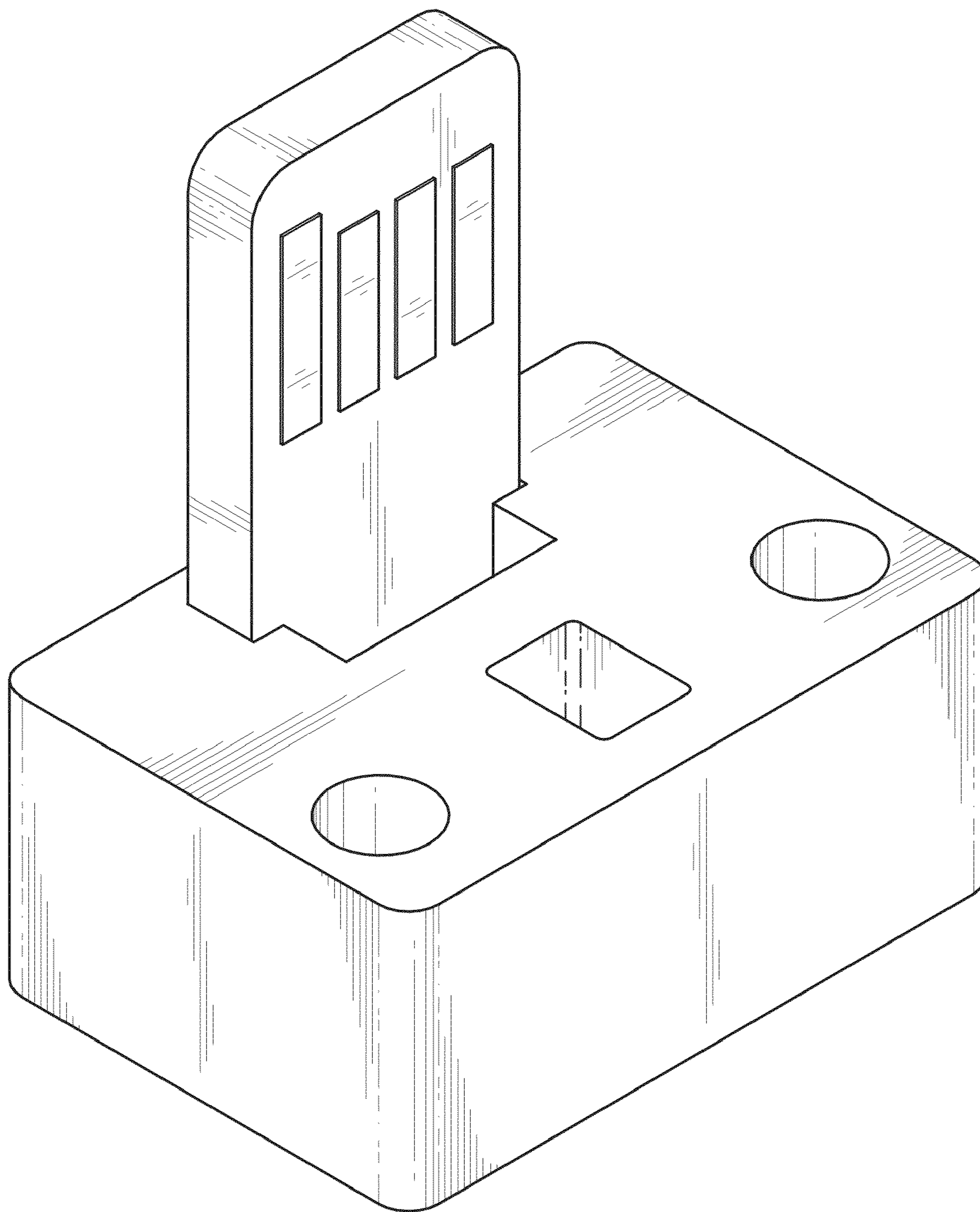


FIG. 1

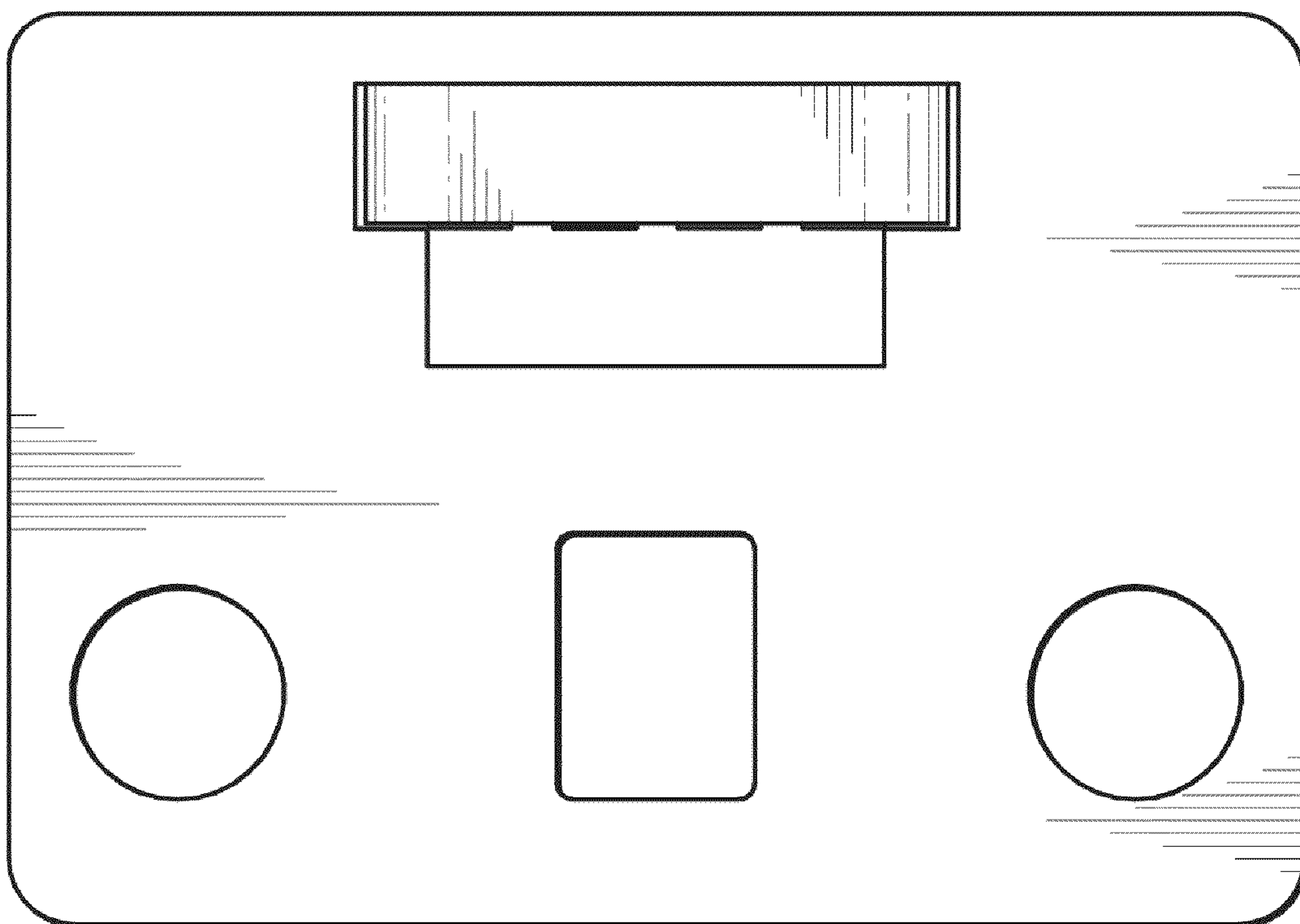


FIG. 2

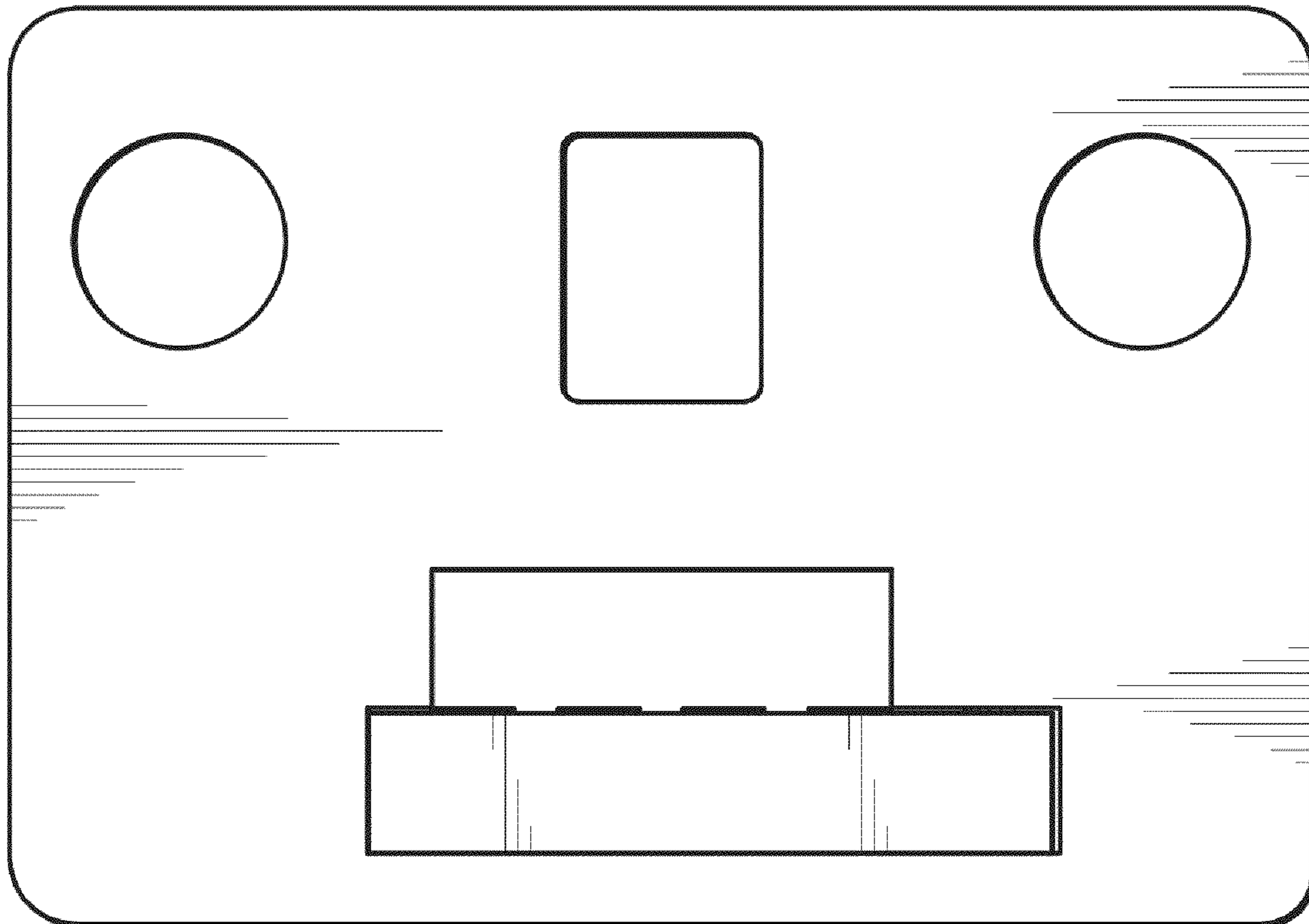


FIG. 3

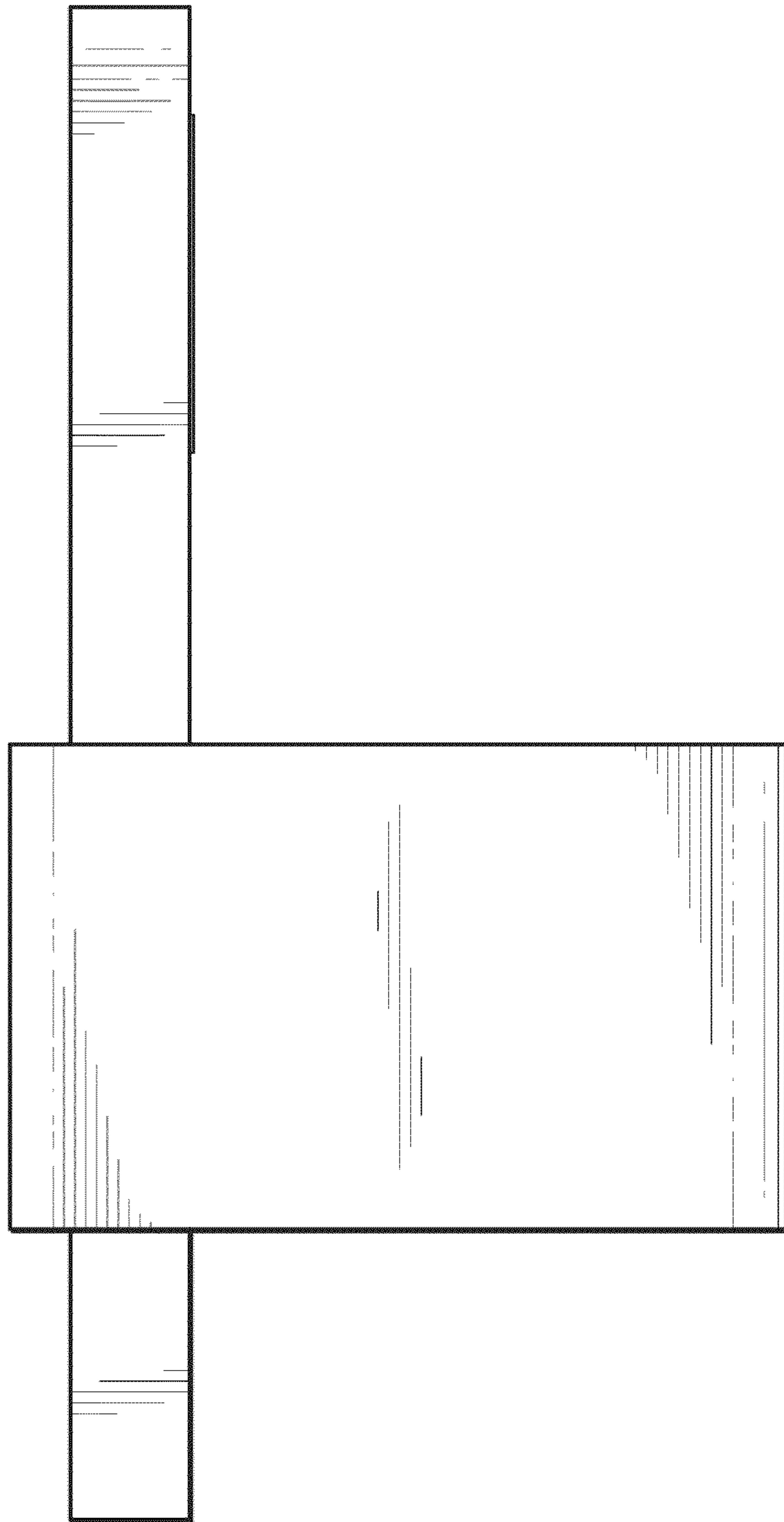


FIG. 4

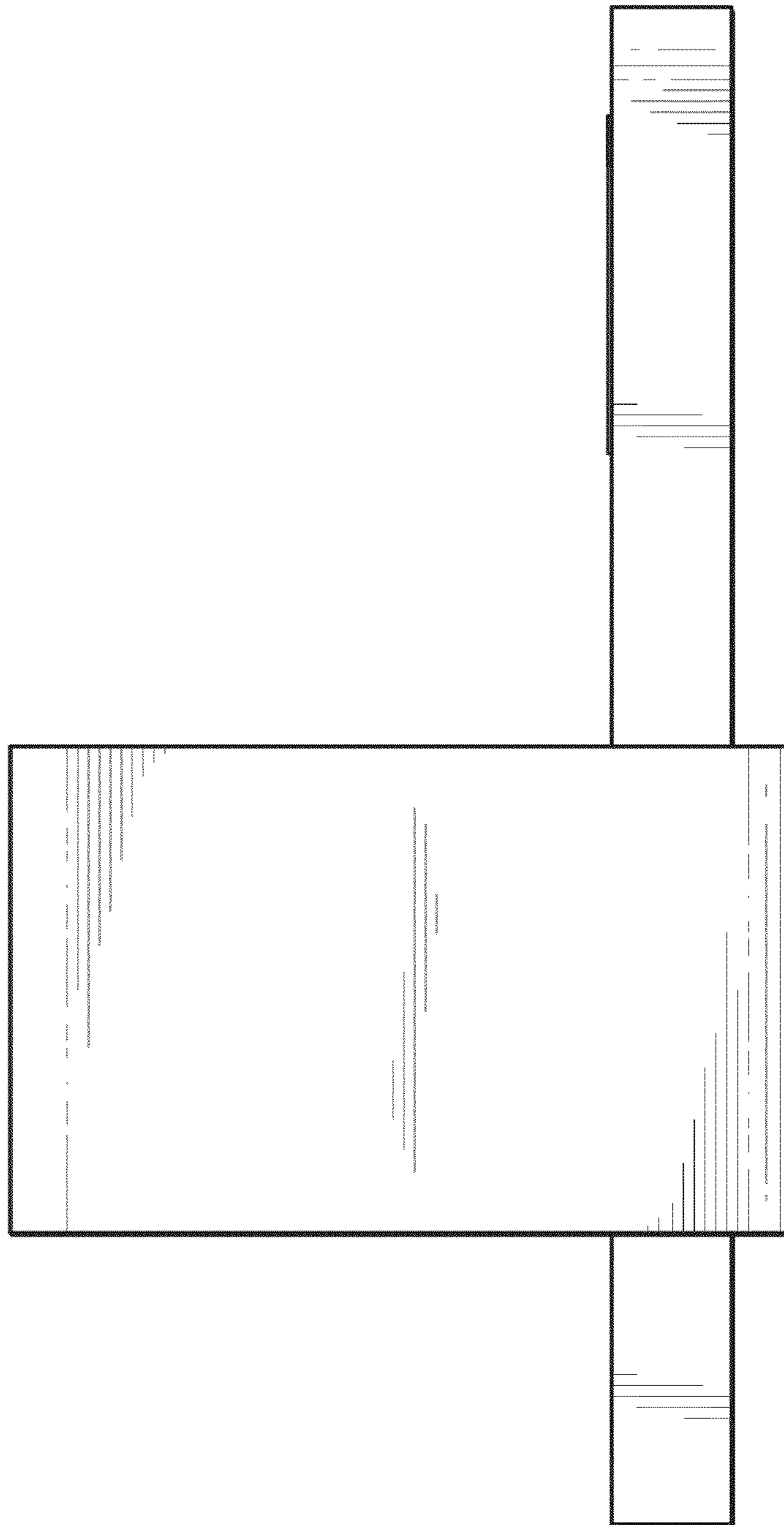


FIG. 5

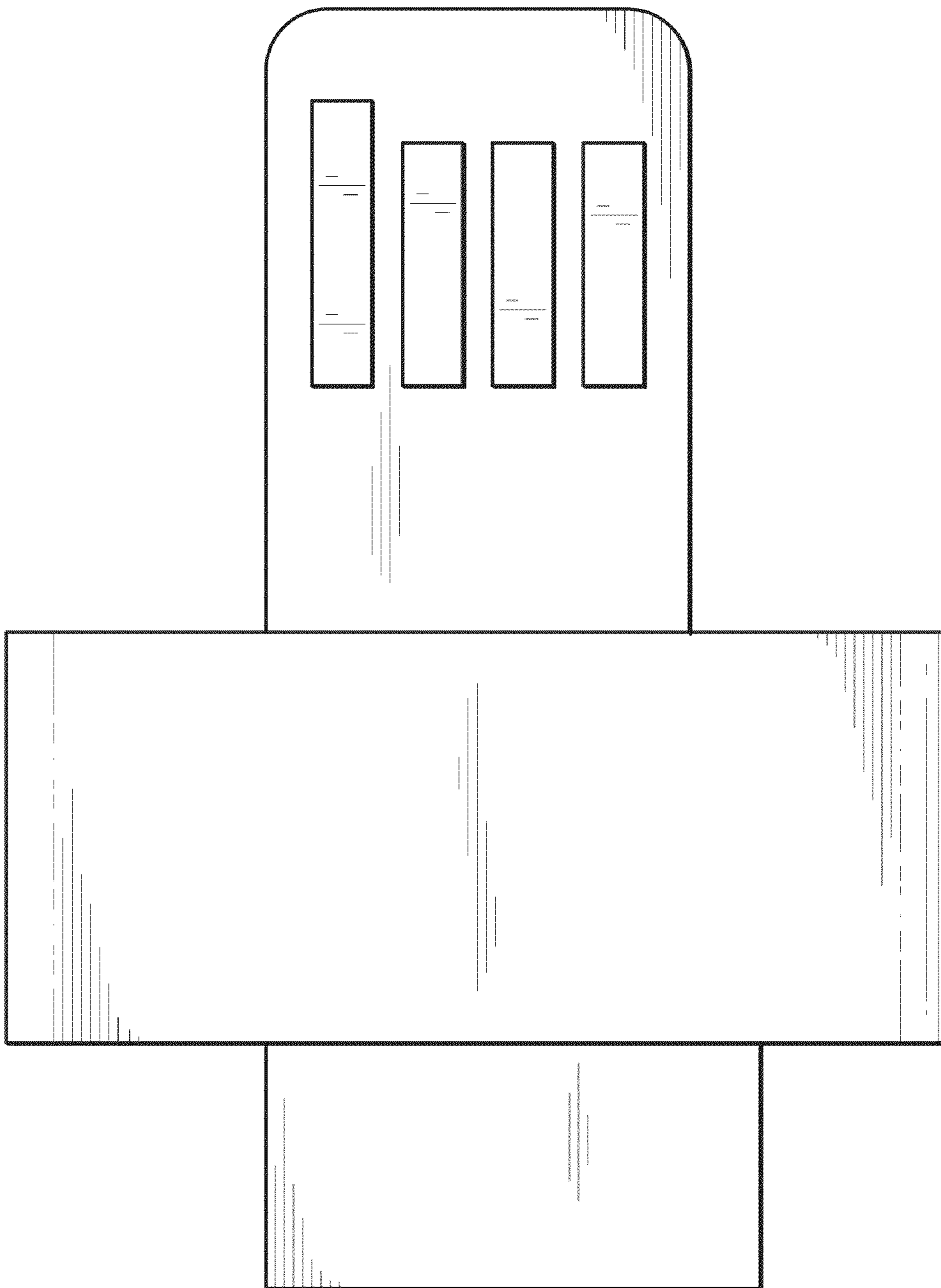


FIG. 6

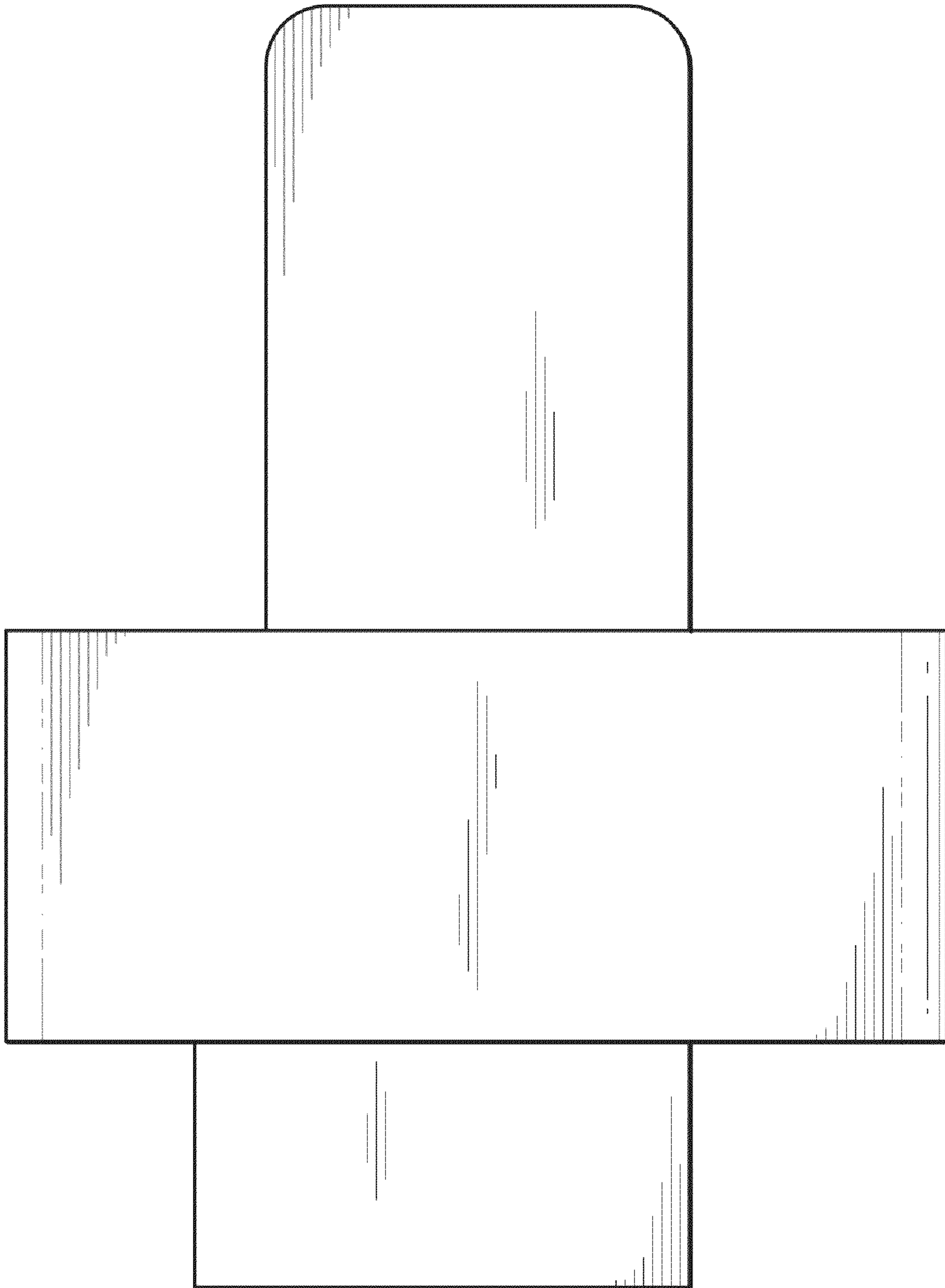


FIG. 7

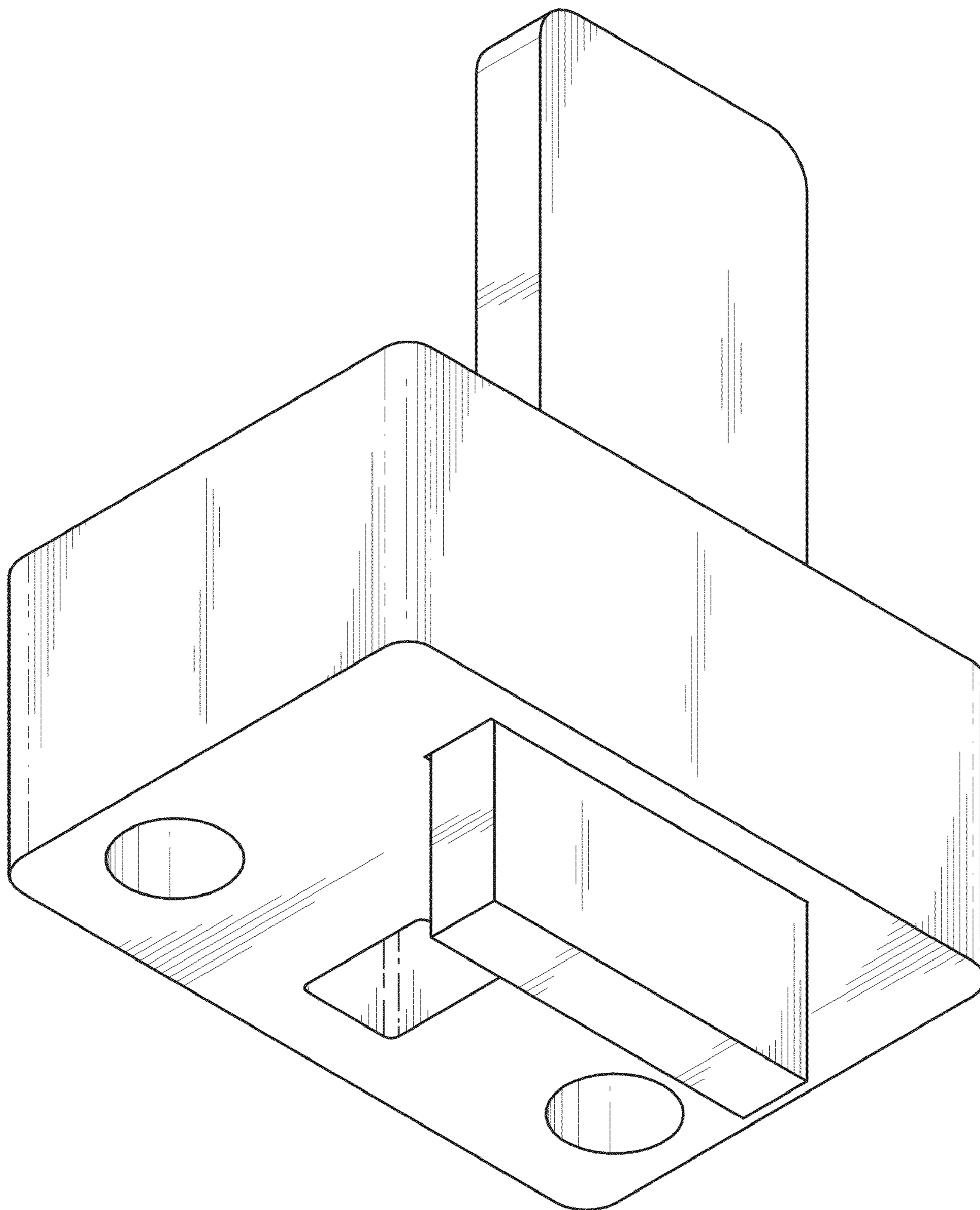


FIG. 8