

US00D675581S

(12) **United States Design Patent**  
**Bergmann et al.**

(10) **Patent No.:** **US D675,581 S**

(45) **Date of Patent:** **\*\* Feb. 5, 2013**

(54) **LIGHT EMITTING DIODE**

(75) Inventors: **Michael Bergmann**, Chapel Hill, NC (US); **Kevin Haberern**, Cary, NC (US); **Matthew Donofrio**, Raleigh, NC (US); **Christopher D. Williams**, Morrisville, NC (US); **Kevin Shawne Schneider**, Cary, NC (US)

(73) Assignee: **Cree, Inc.**, Durham, NC (US)

(\*\*) Term: **14 Years**

(21) Appl. No.: **29/396,907**

(22) Filed: **Jul. 8, 2011**

**Related U.S. Application Data**

(63) Continuation of application No. 29/383,908, filed on Jan. 24, 2011, which is a continuation-in-part of application No. 13/011,417, filed on Jan. 21, 2011.

(51) **LOC (9) Cl.** ..... **13-03**

(52) **U.S. Cl.** ..... **D13/180**

(58) **Field of Classification Search** ..... D13/180;  
D26/1, 2; 257/79, 80, 81, 88, 89, 95, 98,  
257/99, 100, E33.058; 313/483, 498, 500;  
362/555, 800; D5/1, 4; D25/48.7, 109, 113;  
D19/1; D20/27

See application file for complete search history.

(56) **References Cited**

**U.S. PATENT DOCUMENTS**

D264,792	S *	6/1982	Conti	.....	D7/584
D283,399	S *	4/1986	Forbes, Jr.	.....	D9/416
D305,410	S *	1/1990	Tyler	.....	D9/425
D327,234	S *	6/1992	Vaughn	.....	D11/143
5,309,001	A *	5/1994	Watanabe et al.	.....	257/99
D421,046	S *	2/2000	Popat	.....	D19/1
D448,404	S *	9/2001	Hamilton et al.	.....	D19/1
6,518,598	B1 *	2/2003	Chen	.....	257/91
6,518,601	B2 *	2/2003	Wirth	.....	257/98
D476,680	S *	7/2003	Haas	.....	D19/2
D495,116	S *	8/2004	Trocme	.....	D1/127
6,847,052	B2 *	1/2005	Fan et al.	.....	257/79

D521,565	S *	5/2006	Stewart et al.	.....	D20/27
7,319,044	B2 *	1/2008	Han et al.	.....	438/22
D566,057	S *	4/2008	Edmond et al.	.....	D13/180
D580,888	S *	11/2008	Liu	.....	D13/180
D582,865	S *	12/2008	Edmond et al.	.....	D13/180
D599,748	S *	9/2009	Liu	.....	D13/180
D601,102	S *	9/2009	Onikiri et al.	.....	D13/180
D602,451	S *	10/2009	Gielen	.....	D13/180
D609,653	S *	2/2010	Watanabe et al.	.....	D13/180
D615,505	S *	5/2010	Butterworth et al.	.....	D13/180
7,714,334	B2 *	5/2010	Lin	.....	257/81
D620,897	S *	8/2010	Shan et al.	.....	D13/180
D621,801	S *	8/2010	Hsieh	.....	D13/180
D622,679	S *	8/2010	Hsieh	.....	D13/180
D623,152	S *	9/2010	Hwang et al.	.....	D13/180
D624,510	S *	9/2010	Liu et al.	.....	D13/180
7,795,623	B2 *	9/2010	Emerson et al.	.....	257/79
D627,311	S *	11/2010	Lai et al.	.....	D13/180
D627,747	S *	11/2010	Chu et al.	.....	D13/180
D628,540	S *	12/2010	Tsou	.....	D13/180
D633,876	S *	3/2011	Shan et al.	.....	D13/180
D645,008	S *	9/2011	Shan et al.	.....	D13/180
8,017,963	B2 *	9/2011	Donofrio et al.	.....	257/98
8,049,242	B2 *	11/2011	Lin et al.	.....	257/98
2003/0059972	A1 *	3/2003	Ikeda et al.	.....	438/47
2006/0284191	A1 *	12/2006	Yang et al.	.....	257/79

\* cited by examiner

*Primary Examiner* — Selina Sikder

(74) *Attorney, Agent, or Firm* — Myers Bigel Sibley & Seavey

**CLAIM**

The ornamental design for a light emitting diode, as shown and described.

**DESCRIPTION**

FIG. 1 is a top perspective view of a light emitting diode showing our design;

FIG. 2 is a bottom perspective view thereof;

FIG. 3 is a top view thereof;

FIG. 4 is a side view thereof;

FIG. 5 is an opposing side view thereof;

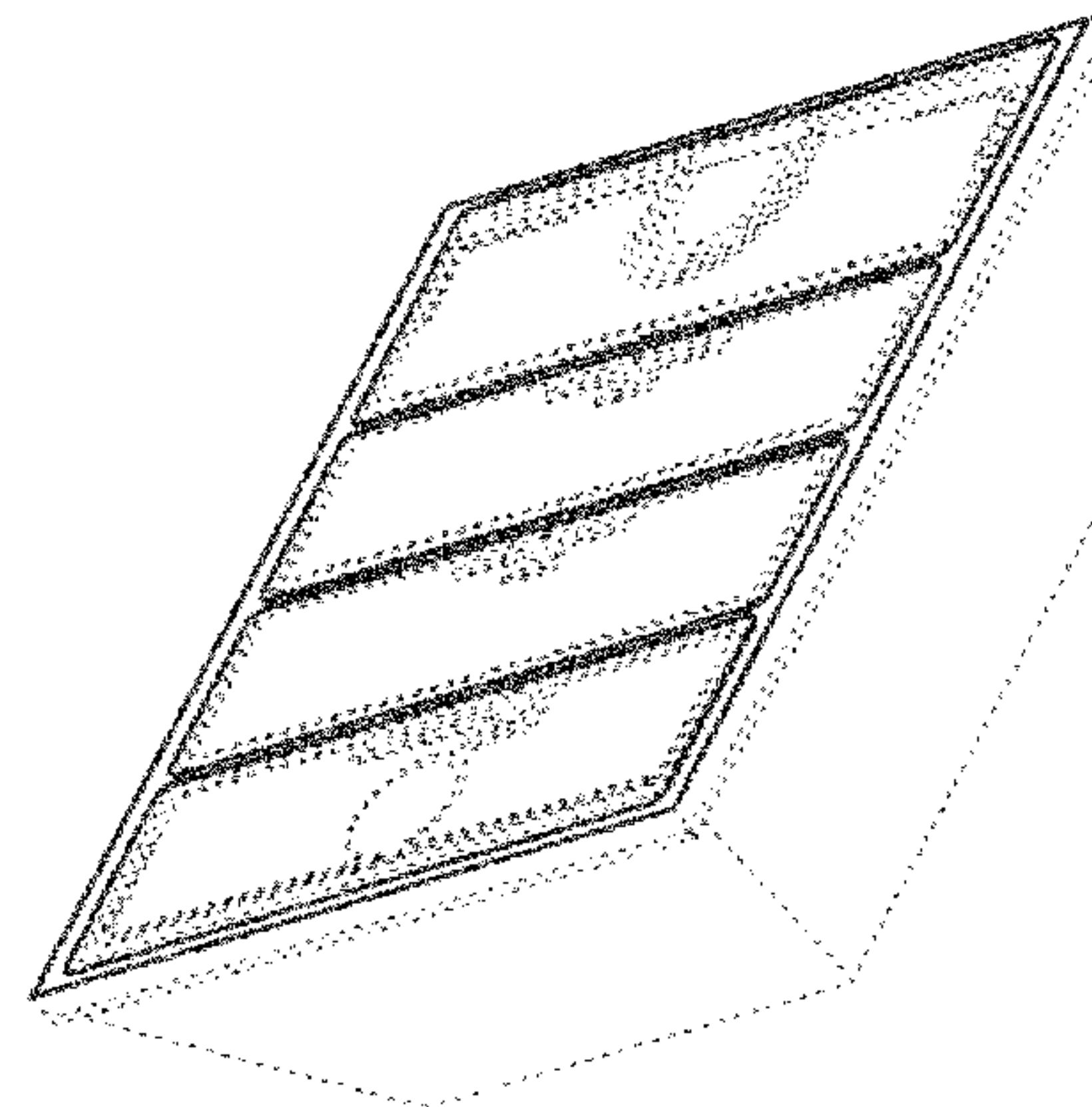
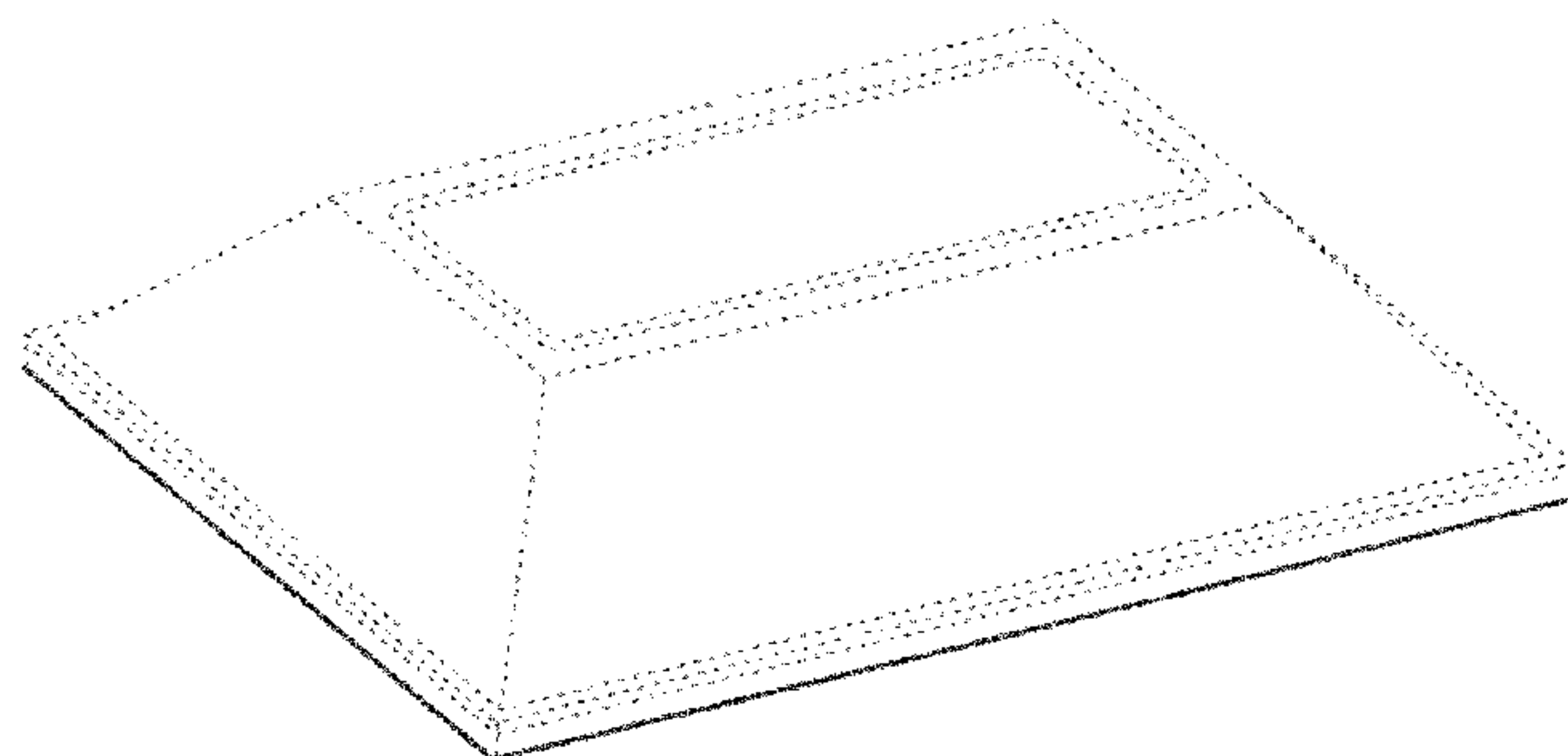
FIG. 6 is a front view thereof;

FIG. 7 is bottom view thereof; and,

FIG. 8 is a back view thereof.

The broken lines shown herein are for illustrative purposes only and form no part of the claimed design.

**1 Claim, 3 Drawing Sheets**



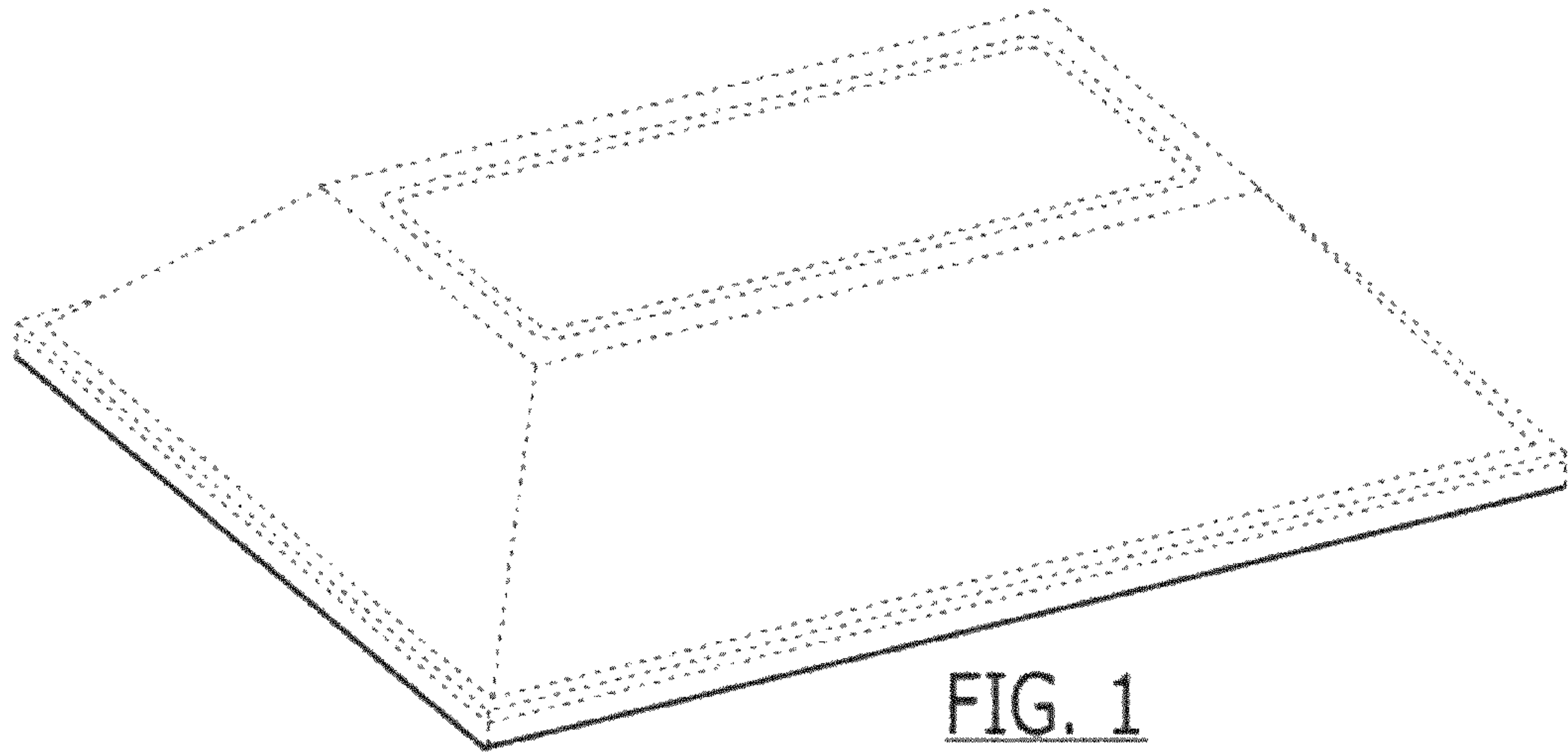


FIG. 1

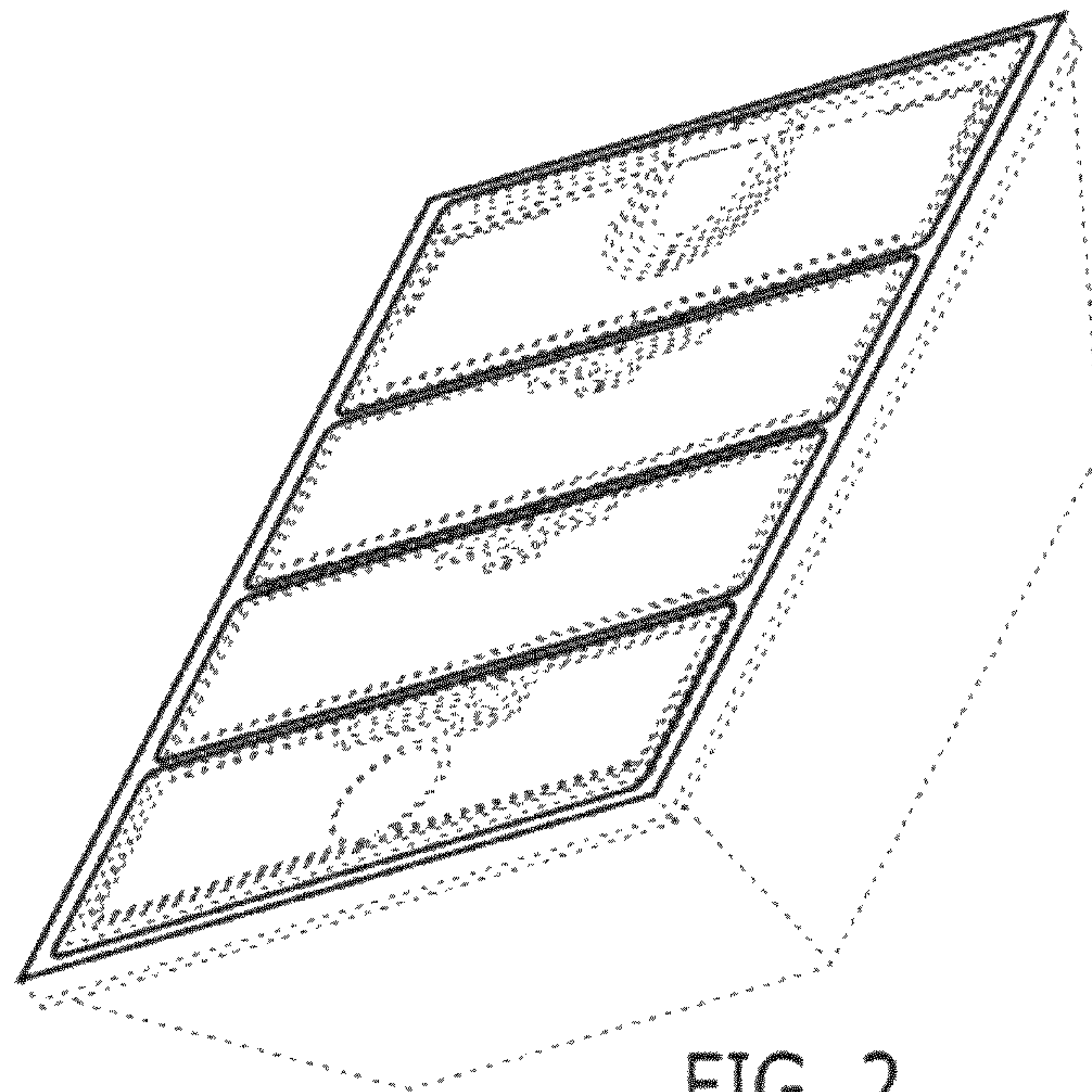


FIG. 2



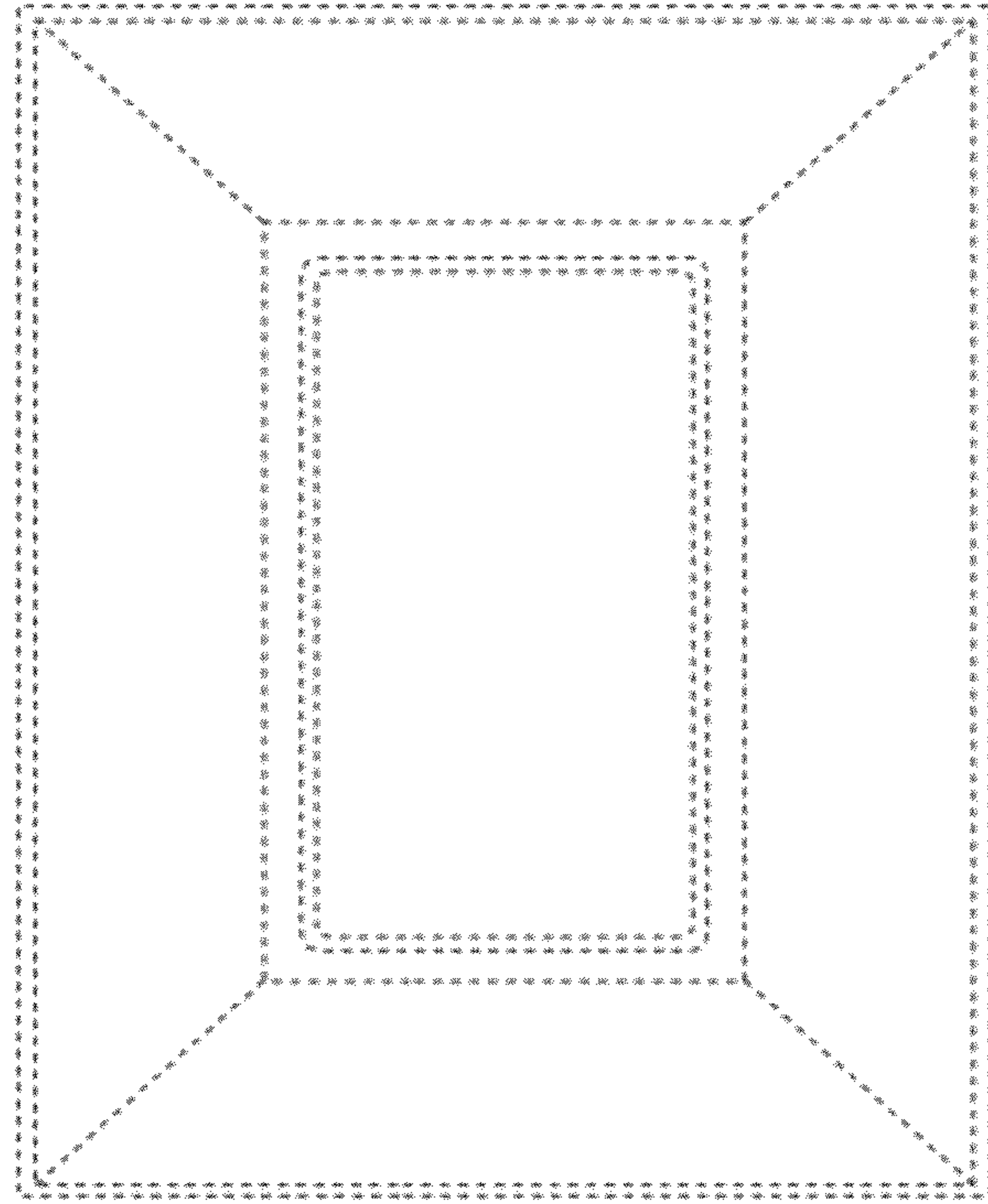


FIG. 3

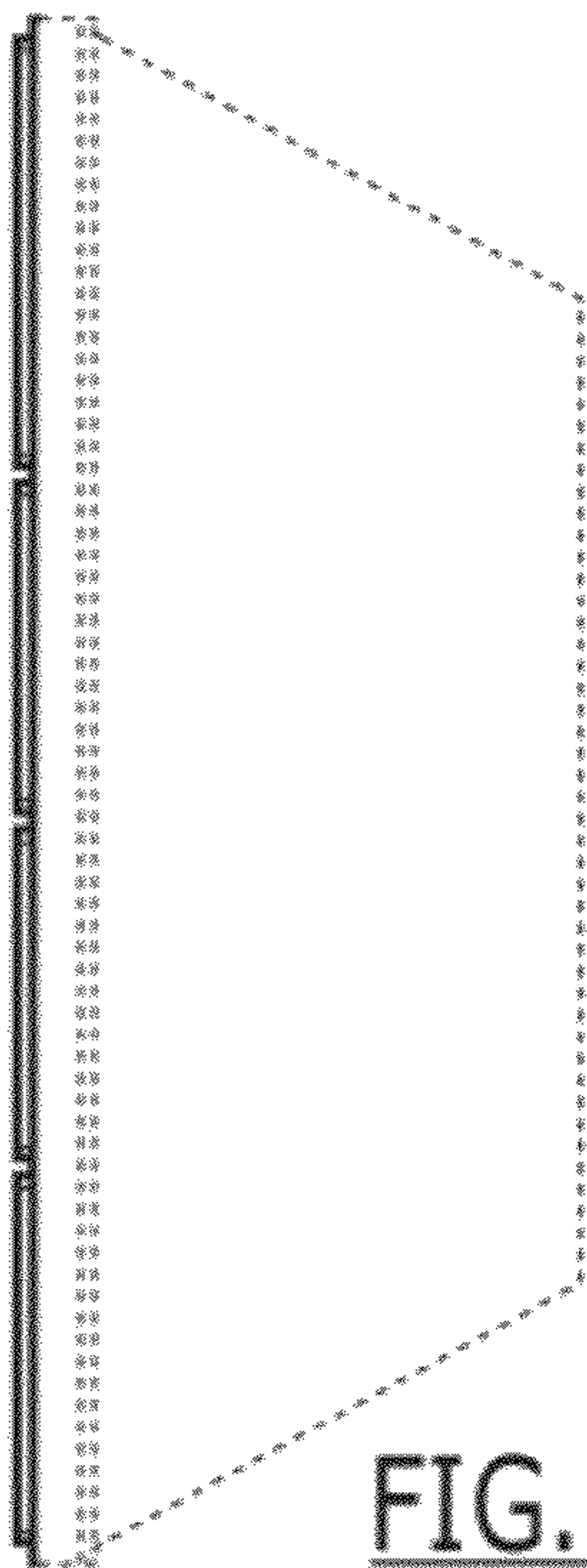


FIG. 4

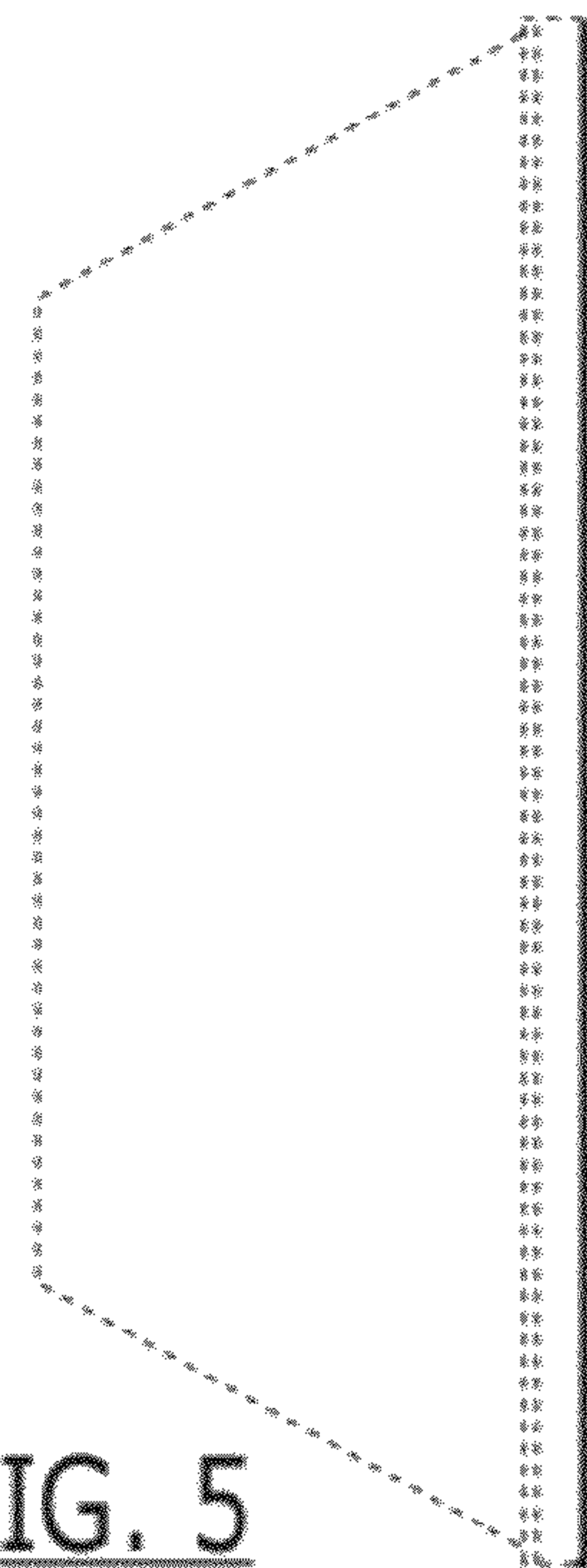


FIG. 5

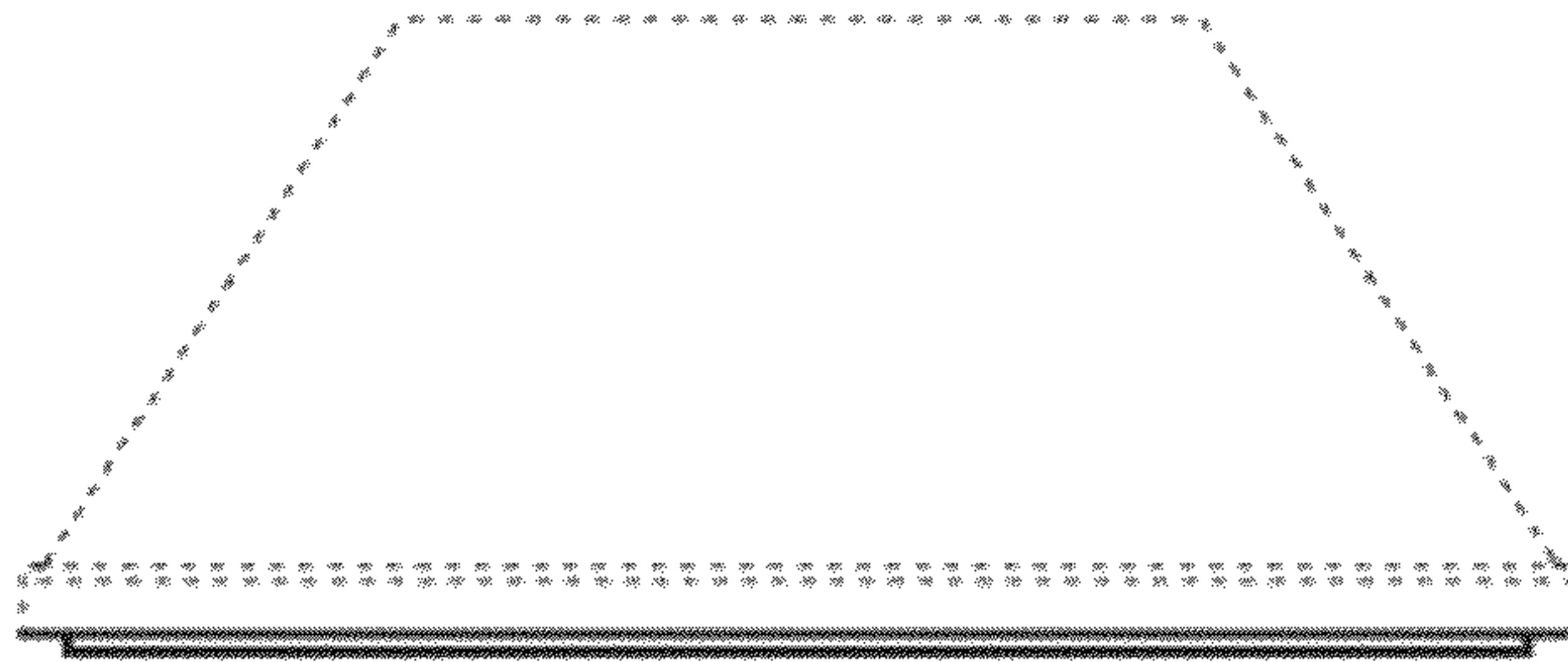


FIG. 6

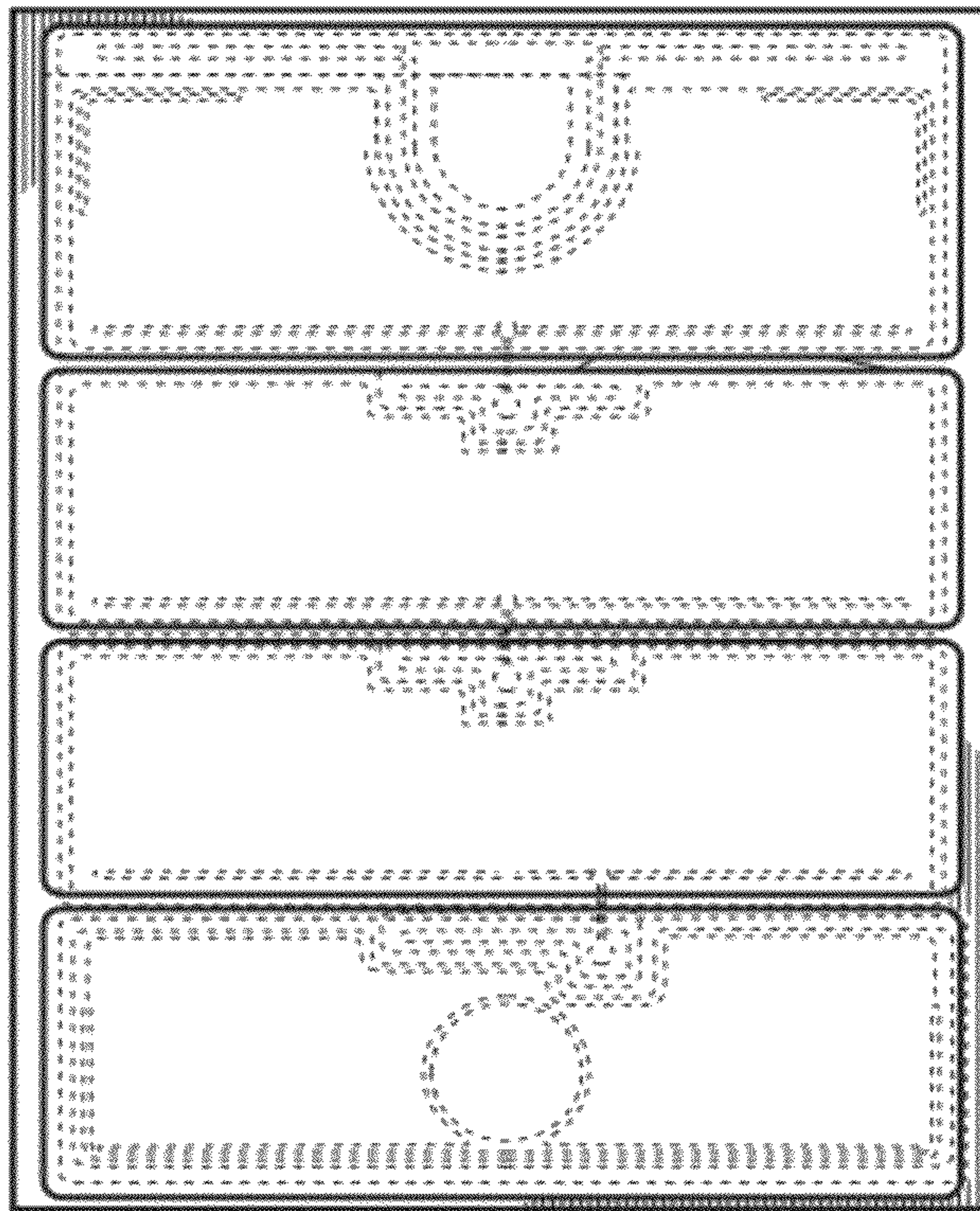


FIG. 7

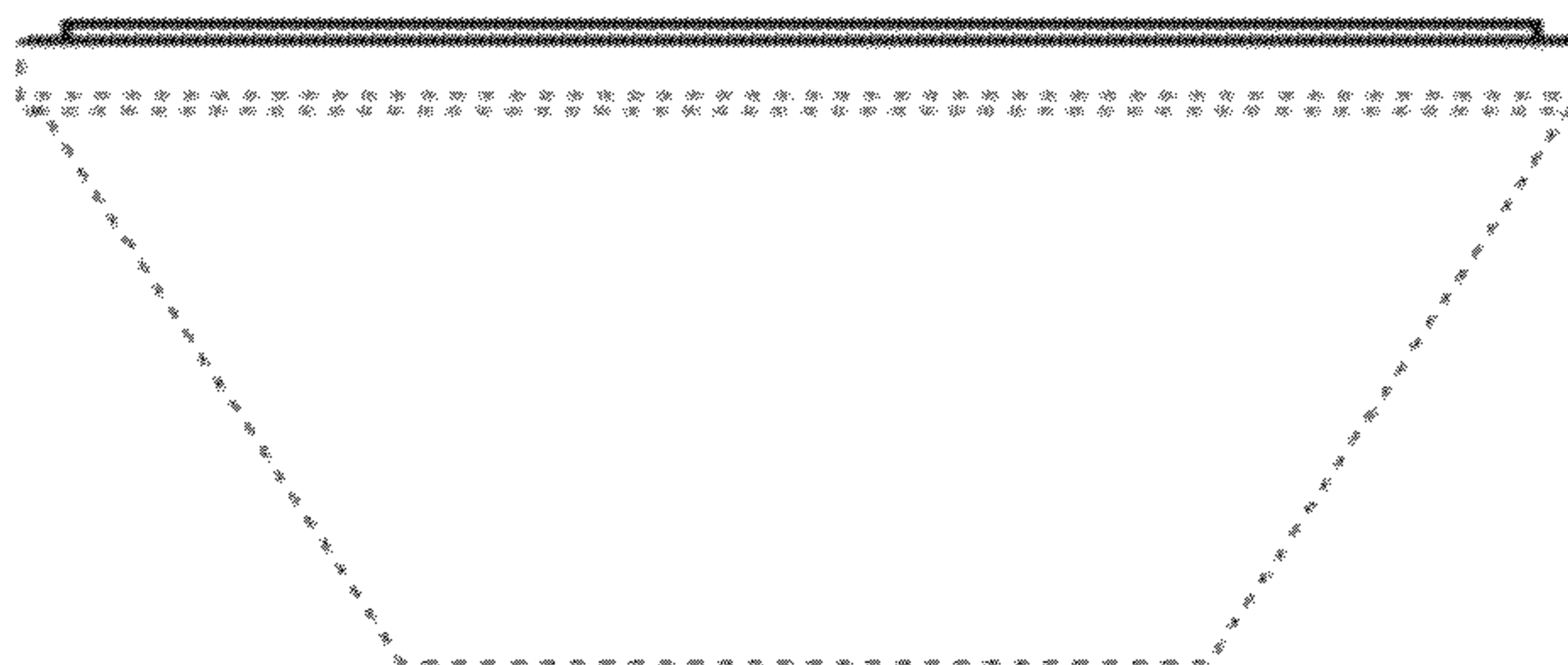


FIG. 8