



US00D675580S

(12) **United States Design Patent**
Edmond et al.

(10) **Patent No.:** **US D675,580 S**

(45) **Date of Patent:** **** Feb. 5, 2013**

(54) **LIGHT EMITTING DIODE**

(75) Inventors: **John Adam Edmond**, Durham, NC
(US); **Matthew Donofrio**, Raleigh, NC
(US)

(73) Assignee: **Cree, Inc.**, Durham, NC (US)

(**) Term: **14 Years**

(21) Appl. No.: **29/386,077**

(22) Filed: **Feb. 24, 2011**

(51) **LOC (9) Cl.** **13-03**

(52) **U.S. Cl.** **D13/180**

(58) **Field of Classification Search** D13/180;
D26/1, 2; 257/79, 80, 81, 88, 89, 95, 98,
257/99, 100, E33.058; 313/483, 498, 500;
362/555, 800

See application file for complete search history.

(56) **References Cited**

U.S. PATENT DOCUMENTS

D566,056	S *	4/2008	Edmond et al.	D13/180
D566,057	S *	4/2008	Edmond et al.	D13/180
D582,865	S *	12/2008	Edmond et al.	D13/180
D582,866	S *	12/2008	Edmond et al.	D13/180
D593,968	S *	6/2009	Edmond et al.	D13/180
D602,450	S *	10/2009	Edmond et al.	D13/180
7,795,623	B2 *	9/2010	Emerson et al.	257/79
D635,525	S *	4/2011	Edmond et al.	D13/180
8,138,509	B2 *	3/2012	Lin et al.	257/88
2009/0050924	A1 *	2/2009	Edmond	257/99
2011/0042705	A1 *	2/2011	Edmond	257/98

2011/0133217 A1* 6/2011 Hakamata et al. 257/88

* cited by examiner

Primary Examiner — Selina Sikder

(74) *Attorney, Agent, or Firm* — Myers Bigel Sibley & Sajovec

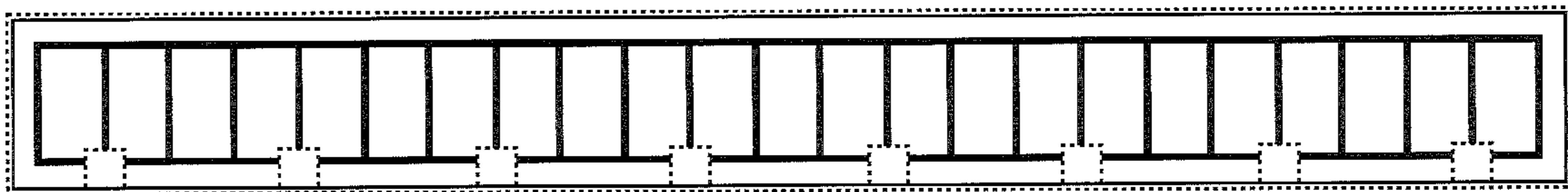
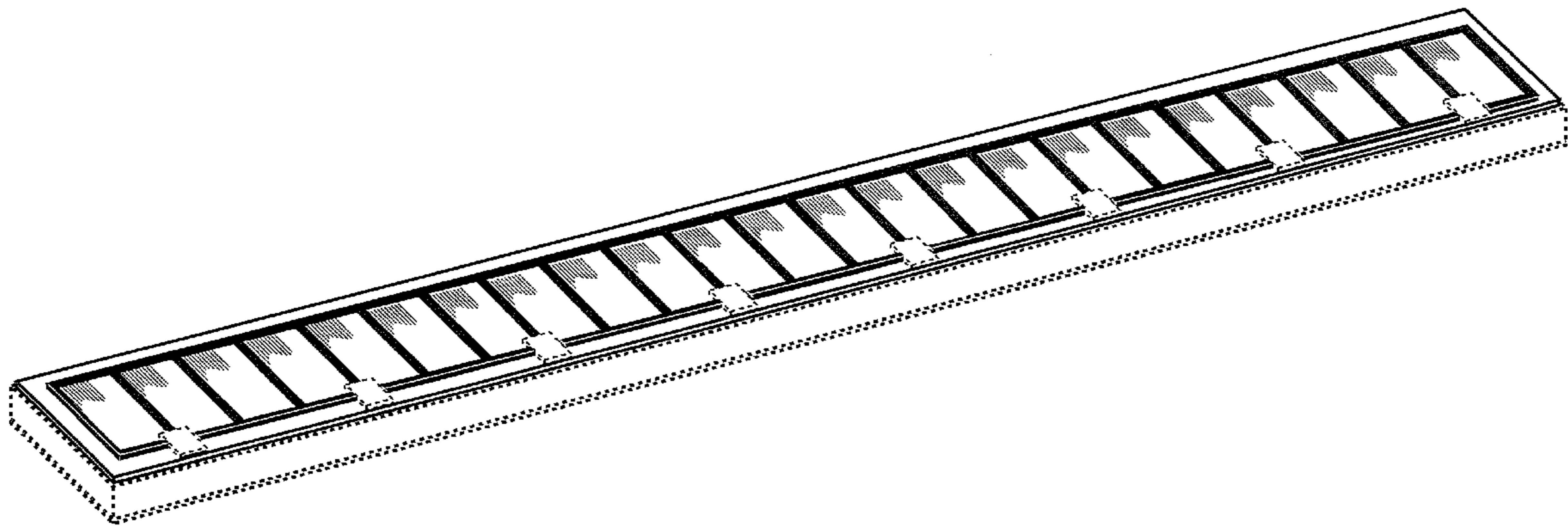
(57) **CLAIM**

The ornamental design for an light emitting diode, as shown and described.

DESCRIPTION

FIG. 1 is a top perspective view of an light emitting diode showing our design;
 FIG. 2 is a top view thereof;
 FIG. 3 is a front view thereof;
 FIG. 4 is bottom view thereof;
 FIG. 5 is a back view opposite the front view of FIG. 3;
 FIG. 6 is side view thereof;
 FIG. 7 is a side view opposite the side view of FIG. 6;
 FIG. 8 is a top perspective view of another embodiment of an light emitting diode showing our design;
 FIG. 9 is a top view thereof;
 FIG. 10 is a front view thereof;
 FIG. 11 is bottom view thereof;
 FIG. 12 is a back view opposite the front view of FIG. 10;
 FIG. 13 is side view thereof; and,
 FIG. 14 is a side view opposite the side view of FIG. 13.
 The broken lines shown herein are for illustrative purposes only and form no part of the claimed design.

1 Claim, 4 Drawing Sheets



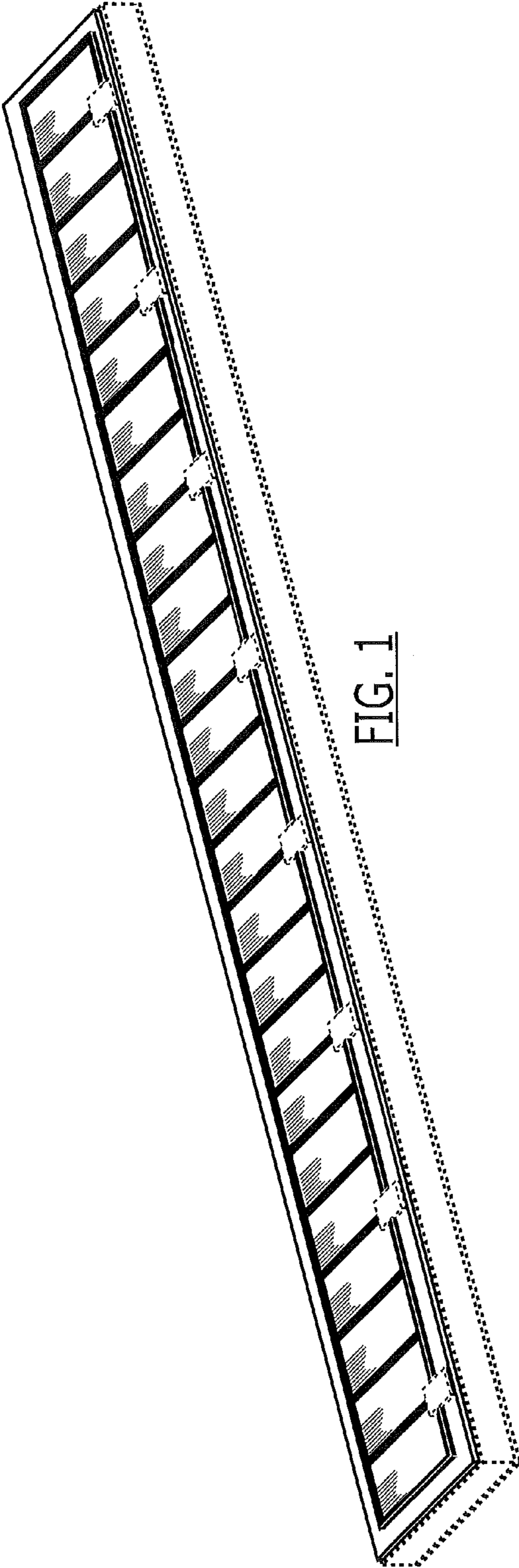


FIG. 1

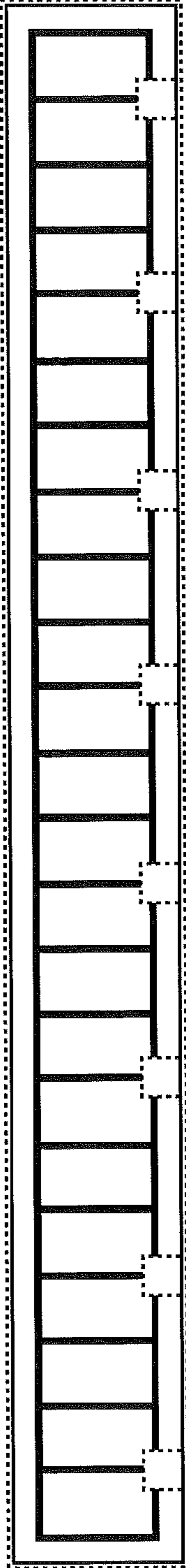


FIG. 2

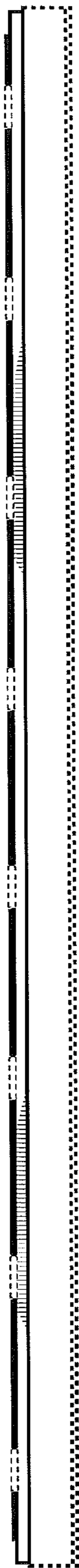


FIG. 3

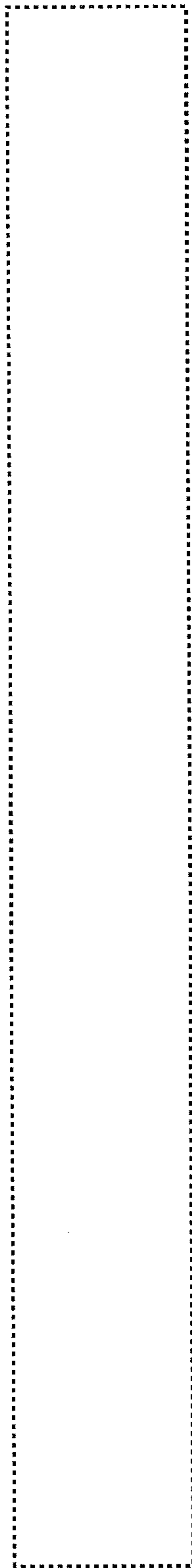


FIG. 4

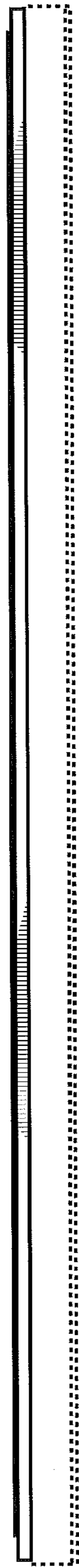


FIG. 5

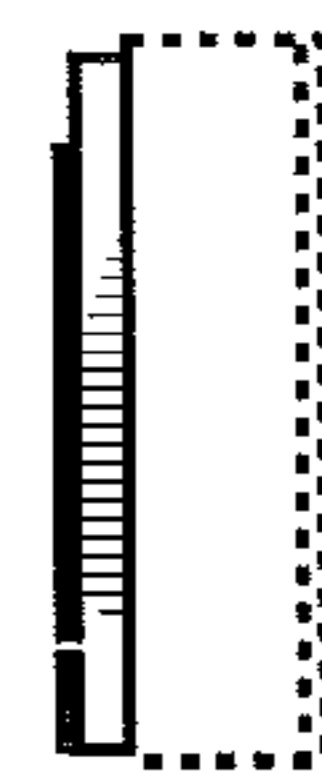


FIG. 6

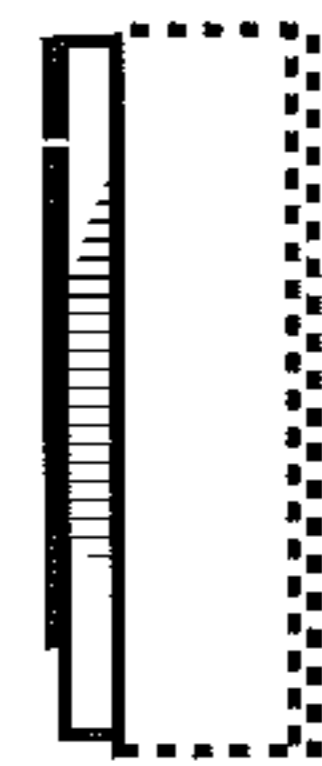


FIG. 7

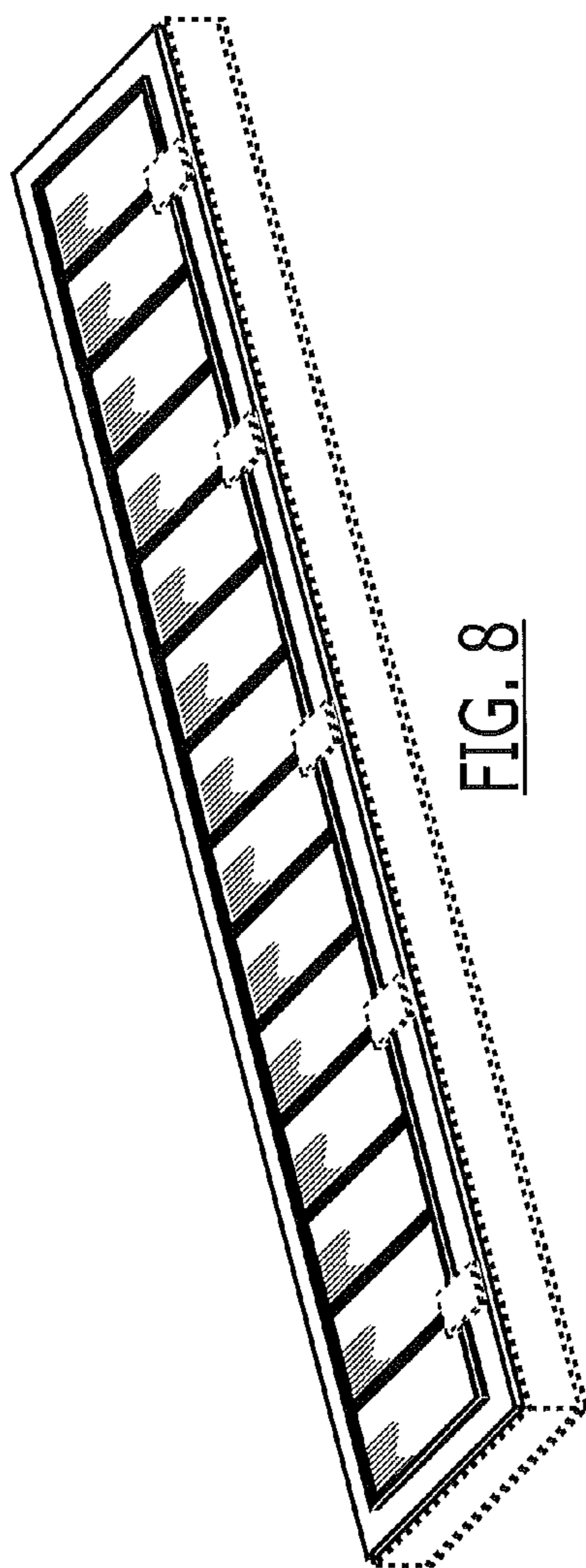


FIG. 8

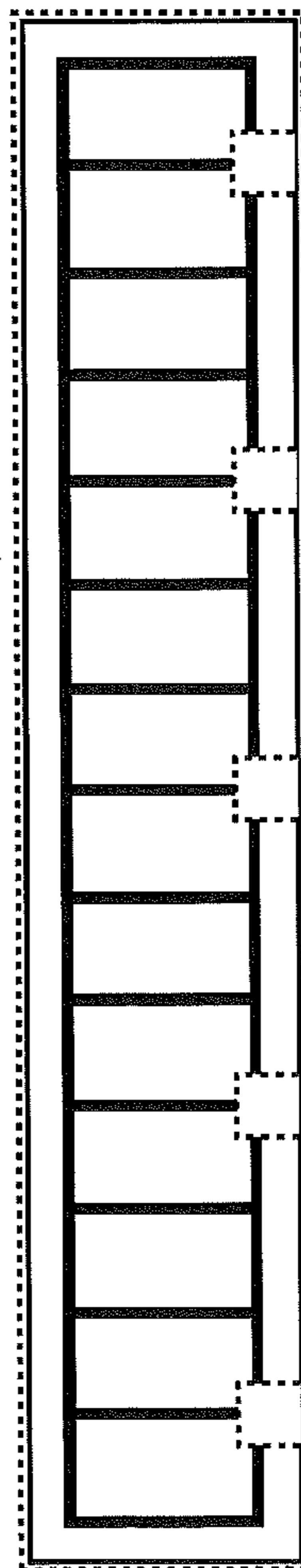


FIG. 9



FIG. 10

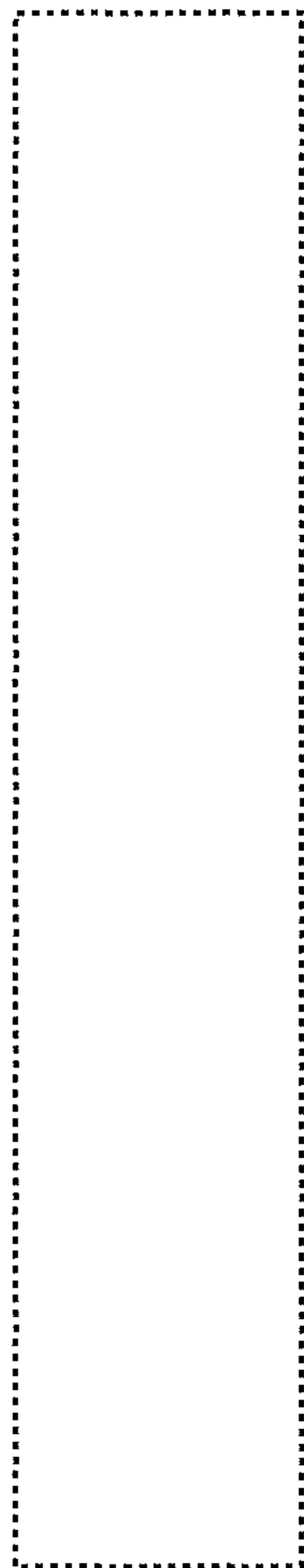


FIG. 11

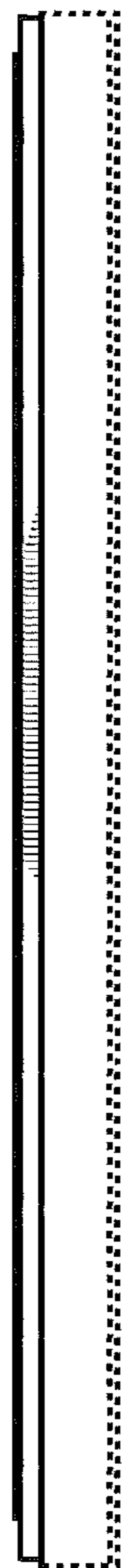


FIG. 12

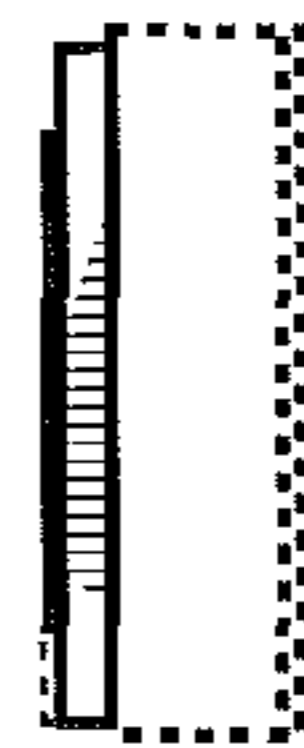


FIG. 13

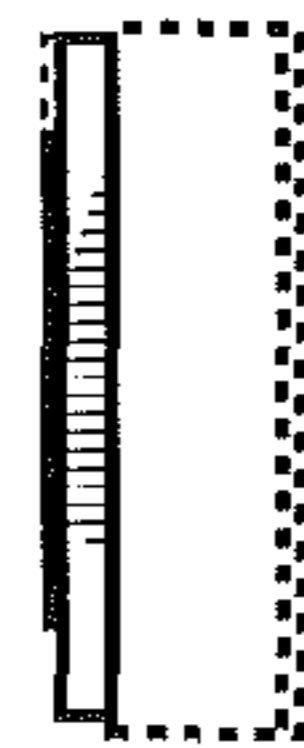


FIG. 14