



US00D675579S

(12) **United States Design Patent**  
**Rucker**

(10) **Patent No.:** **US D675,579 S**

(45) **Date of Patent:** **\*\* \*Feb. 5, 2013**

(54) **CABLE BOX**

(76) Inventor: **Joe Rucker**, Hot Springs, AR (US)

(\* ) Notice: This patent is subject to a terminal disclaimer.

(\*\* ) Term: **14 Years**

(21) Appl. No.: **29/356,773**

(22) Filed: **Mar. 2, 2010**

(51) **LOC (9) Cl.** ..... **13-03**

(52) **U.S. Cl.** ..... **D13/156**

(58) **Field of Classification Search** ..... D13/133,  
D13/152, 153, 154, 155, 156, 184, 199; D14/239;  
174/66, 67; 439/445-447, 578-580, 583,  
439/892-894, 949

See application file for complete search history.

(56) **References Cited**

**U.S. PATENT DOCUMENTS**

D231,896 S *	6/1974	Zerwes	.....	D8/353
D273,557 S *	4/1984	Mastro et al.	.....	D8/353
D342,235 S *	12/1993	Shotey	.....	D13/156
D348,268 S *	6/1994	Chambers	.....	D14/218
D399,829 S *	10/1998	Reed	.....	D13/156
D449,584 S *	10/2001	Dinh	.....	D13/156

D517,507 S *	3/2006	Johnson et al.	.....	D13/184
D577,987 S *	10/2008	Corbin	.....	D8/353
D593,842 S *	6/2009	Corbin	.....	D8/353

\* cited by examiner

*Primary Examiner* — Daniel Bui

(74) *Attorney, Agent, or Firm* — Mark Murphy Henry

(57) **CLAIM**

The ornamental design for a cable box, as shown and described.

**DESCRIPTION**

FIG. 1 is a perspective view of a cable box showing my new design;

FIG. 2 is a front elevation view thereof;

FIG. 3 is a left side elevation view thereof;

FIG. 4 is a right side elevation view thereof;

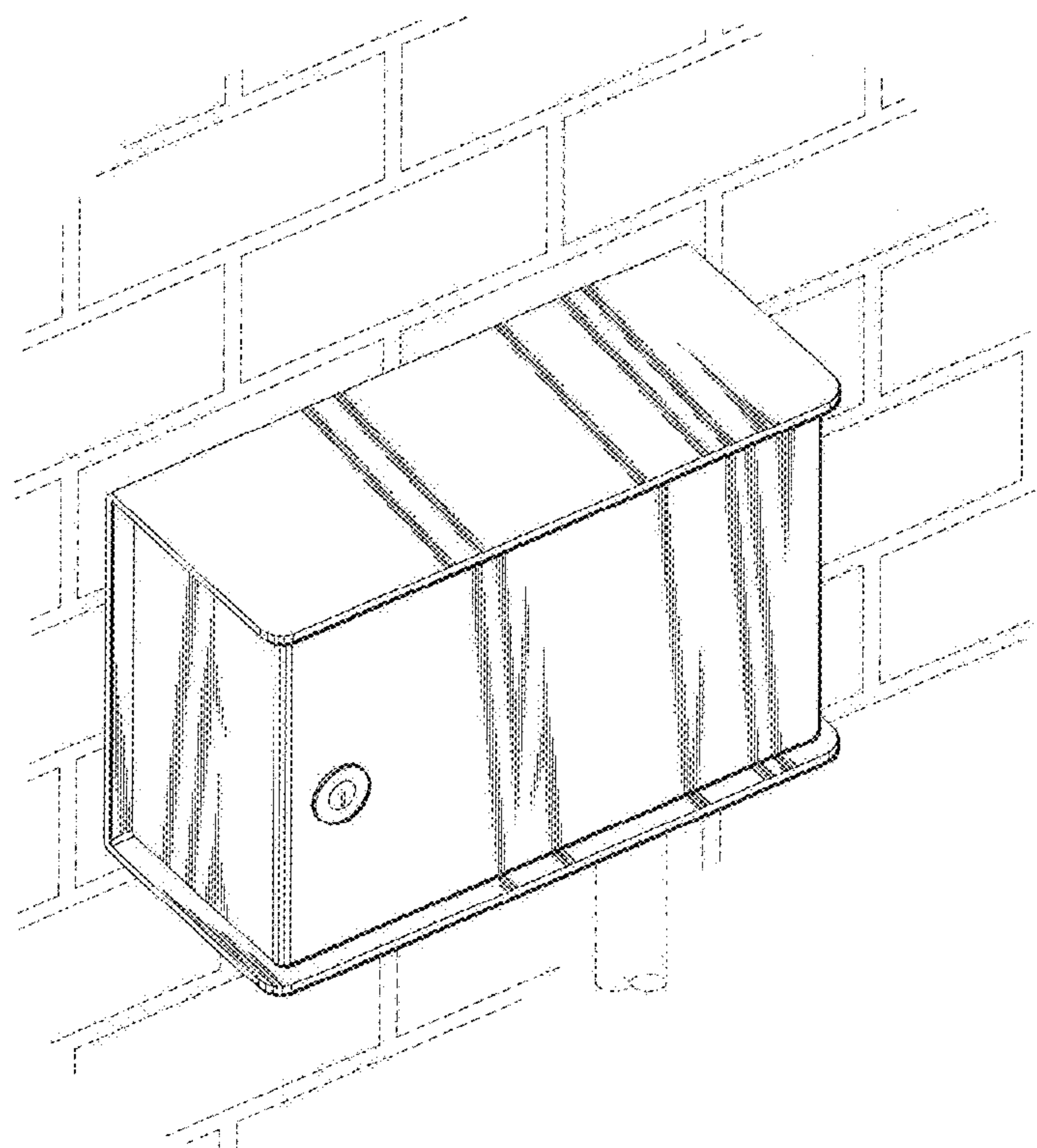
FIG. 5 is a top plan view thereof;

FIG. 6 is a cross-sectional view thereof, taken along line "6-6" of FIG. 2; and,

FIG. 7 is a cross-sectional view thereof, taken along line "7-7" of FIG. 6.

The broken line shown in FIG. 1 is included for the purpose of illustrating environment and forms no part of the claimed design.

**1 Claim, 4 Drawing Sheets**



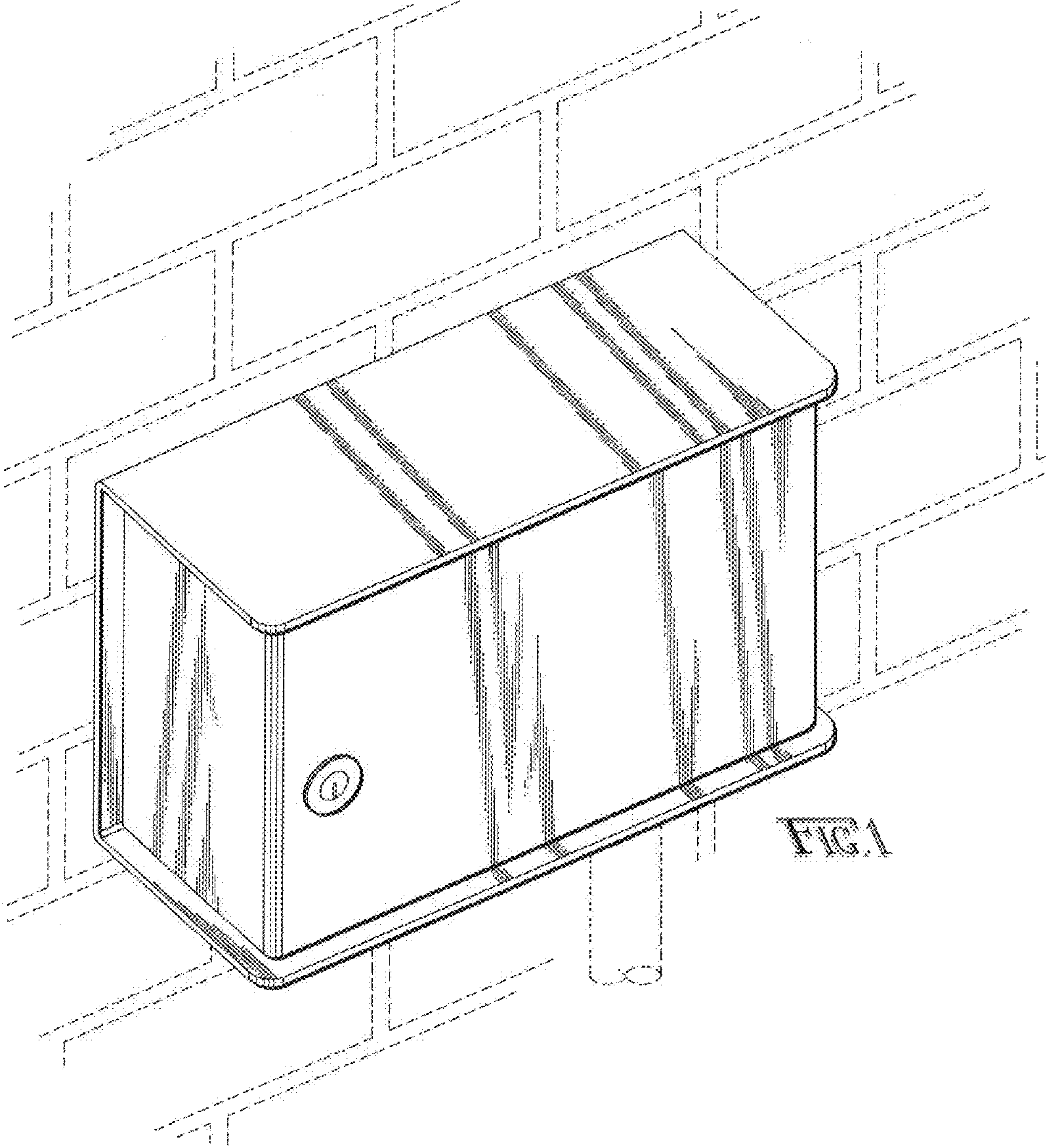


FIG. 1

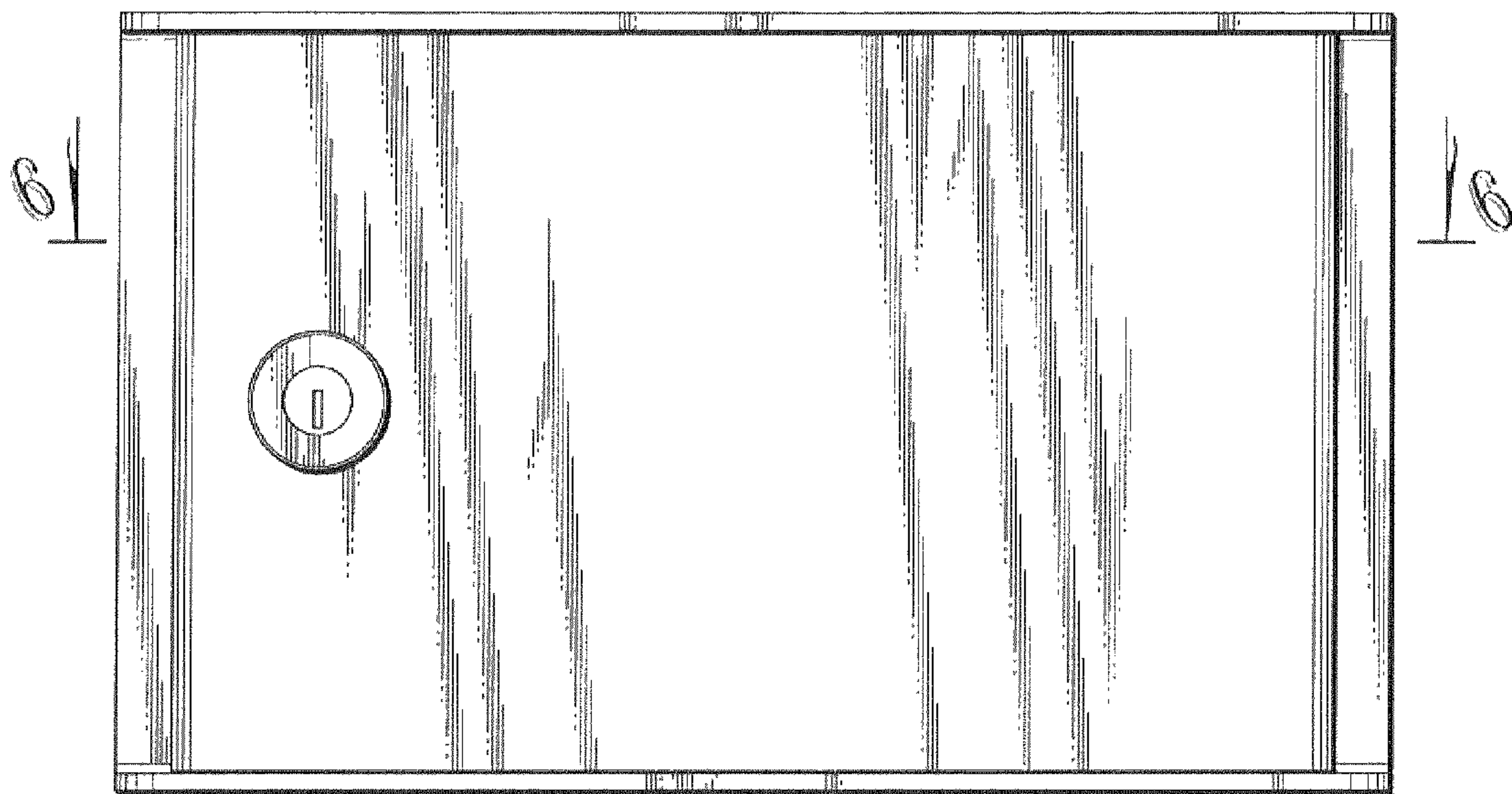


FIG. 2

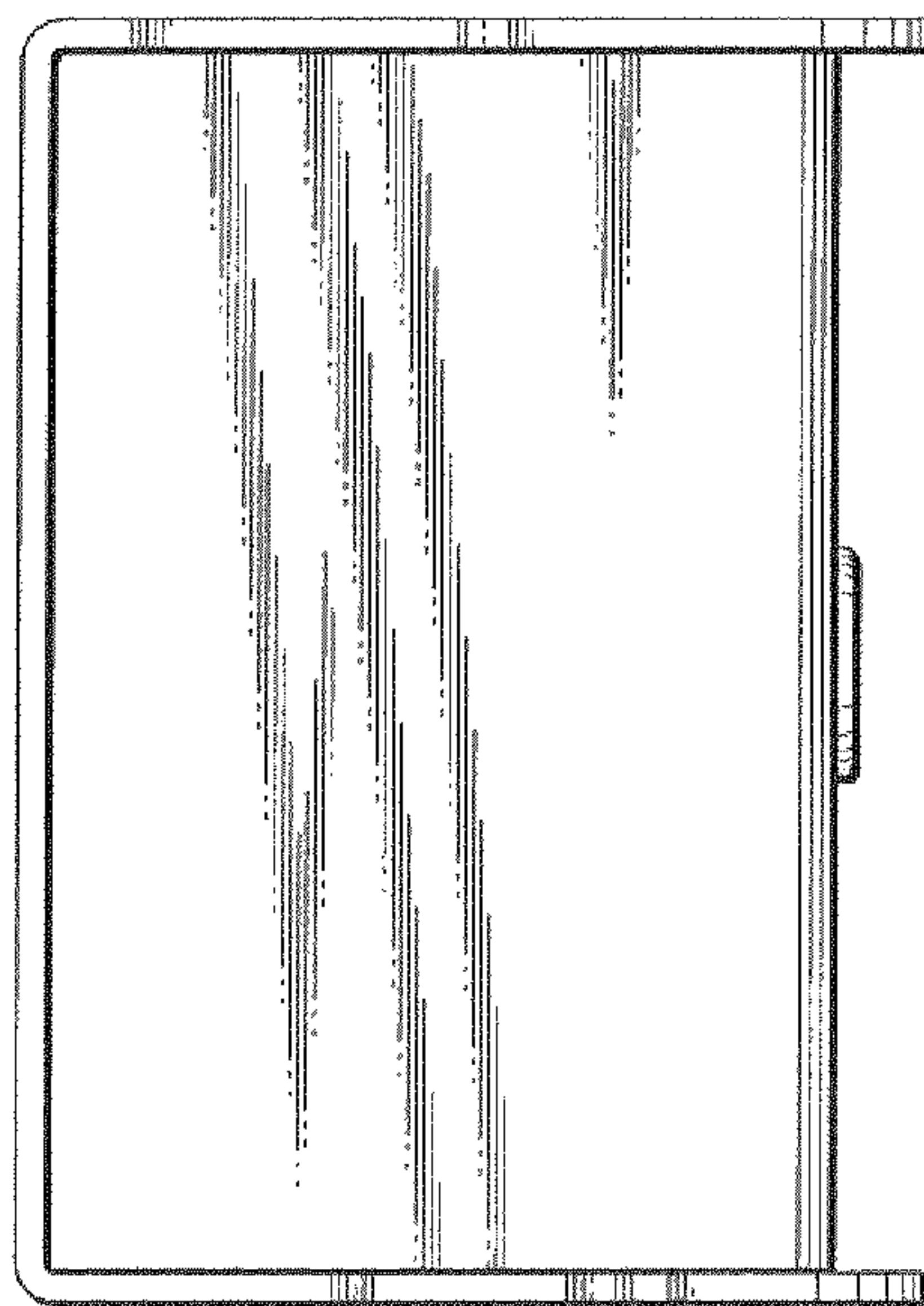


FIG. 3



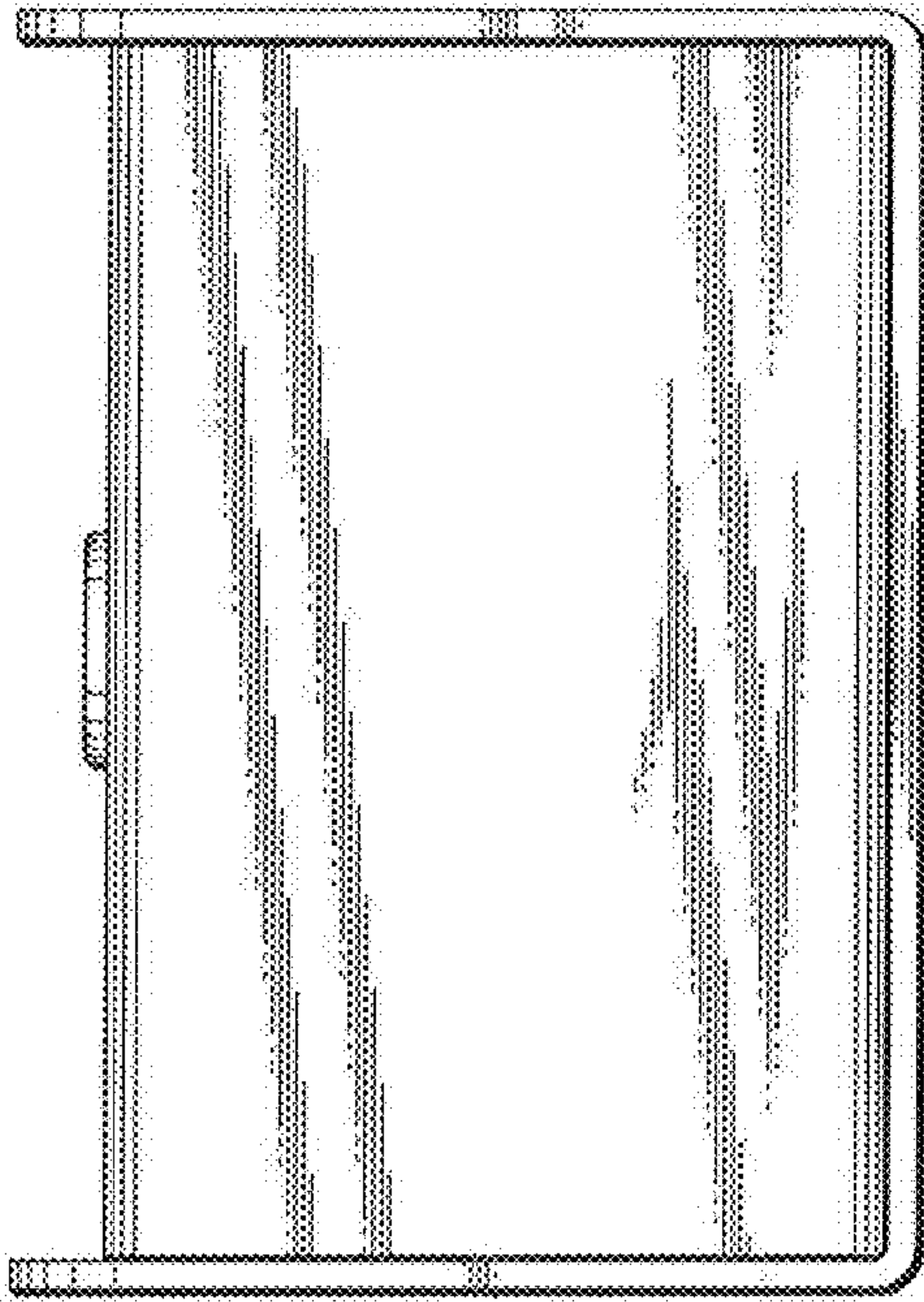


FIG. 4

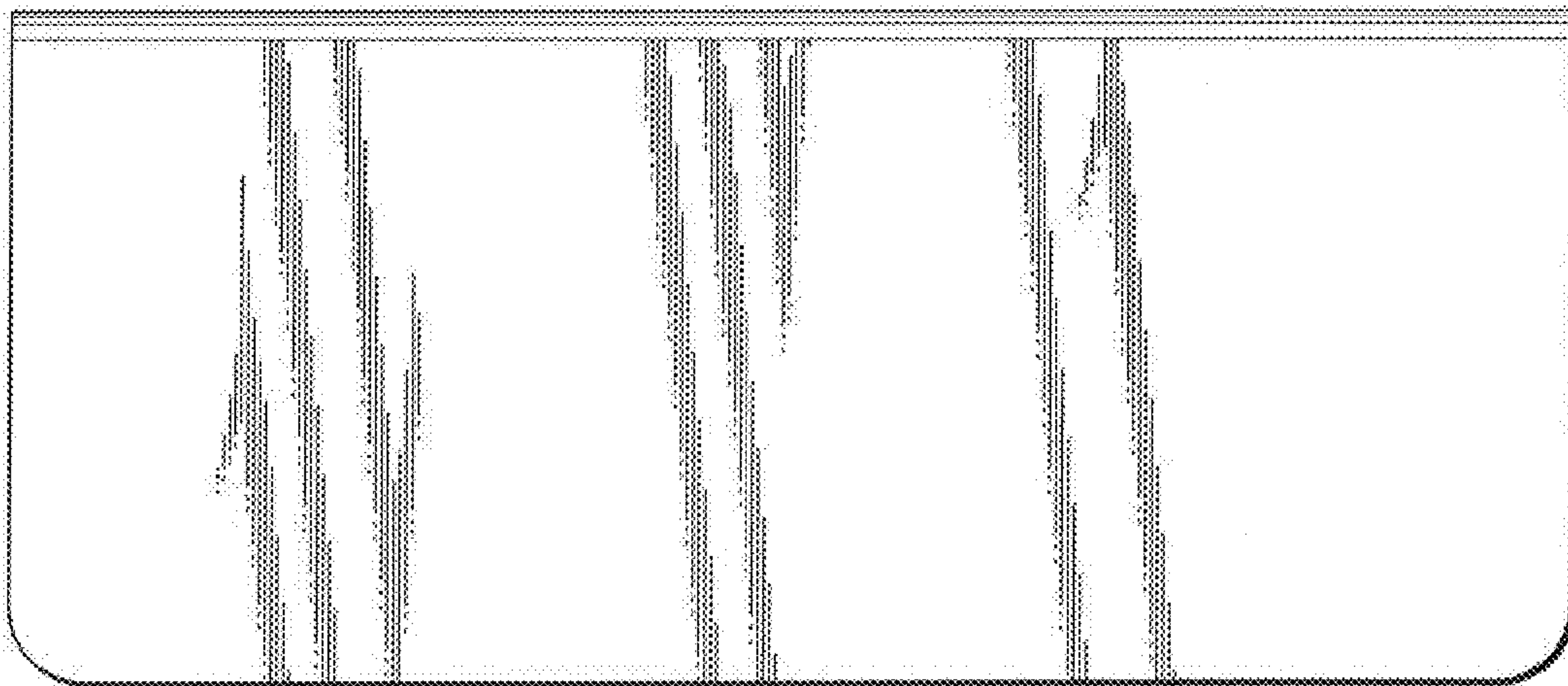


FIG. 5

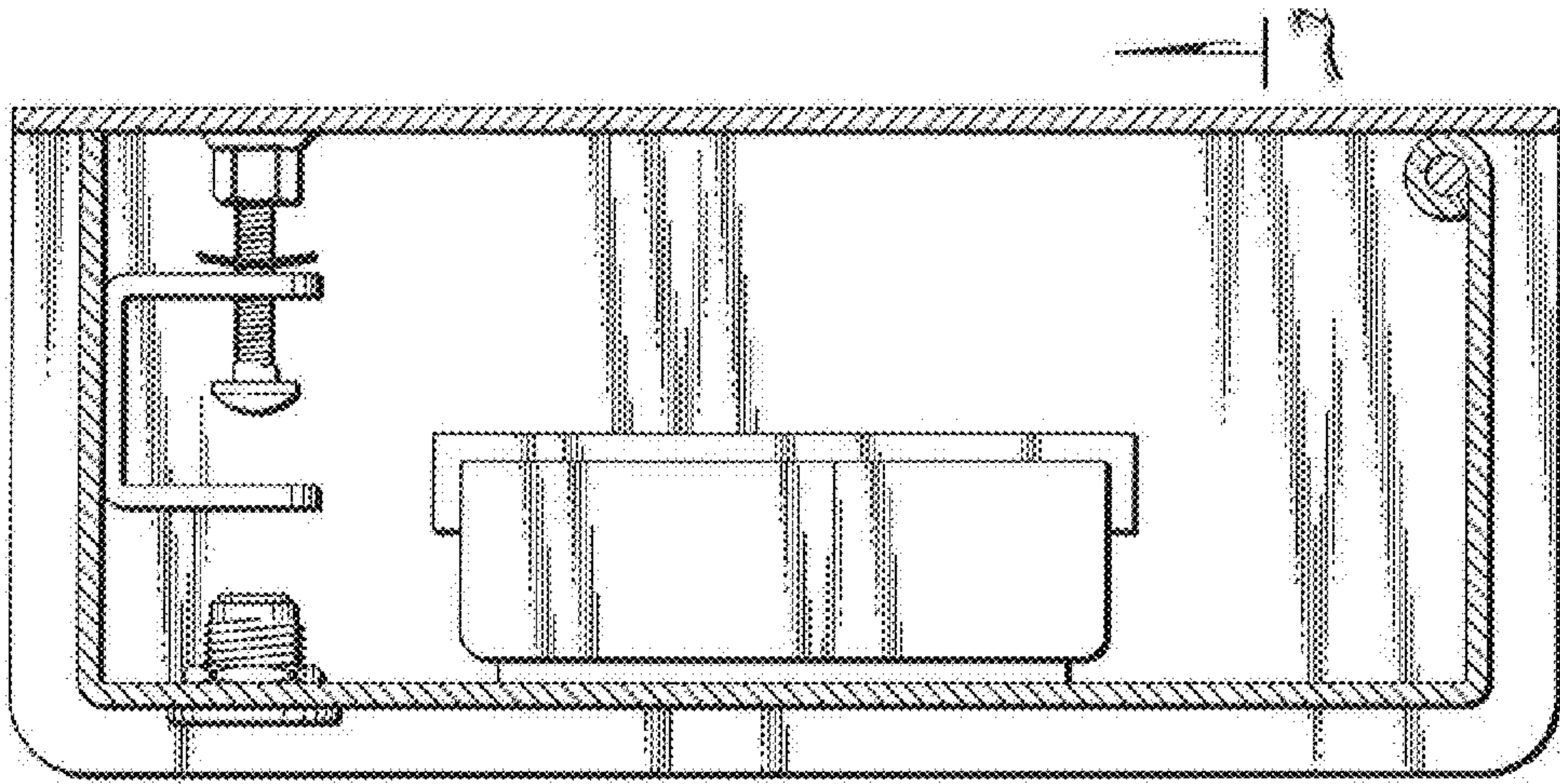


FIG. 8

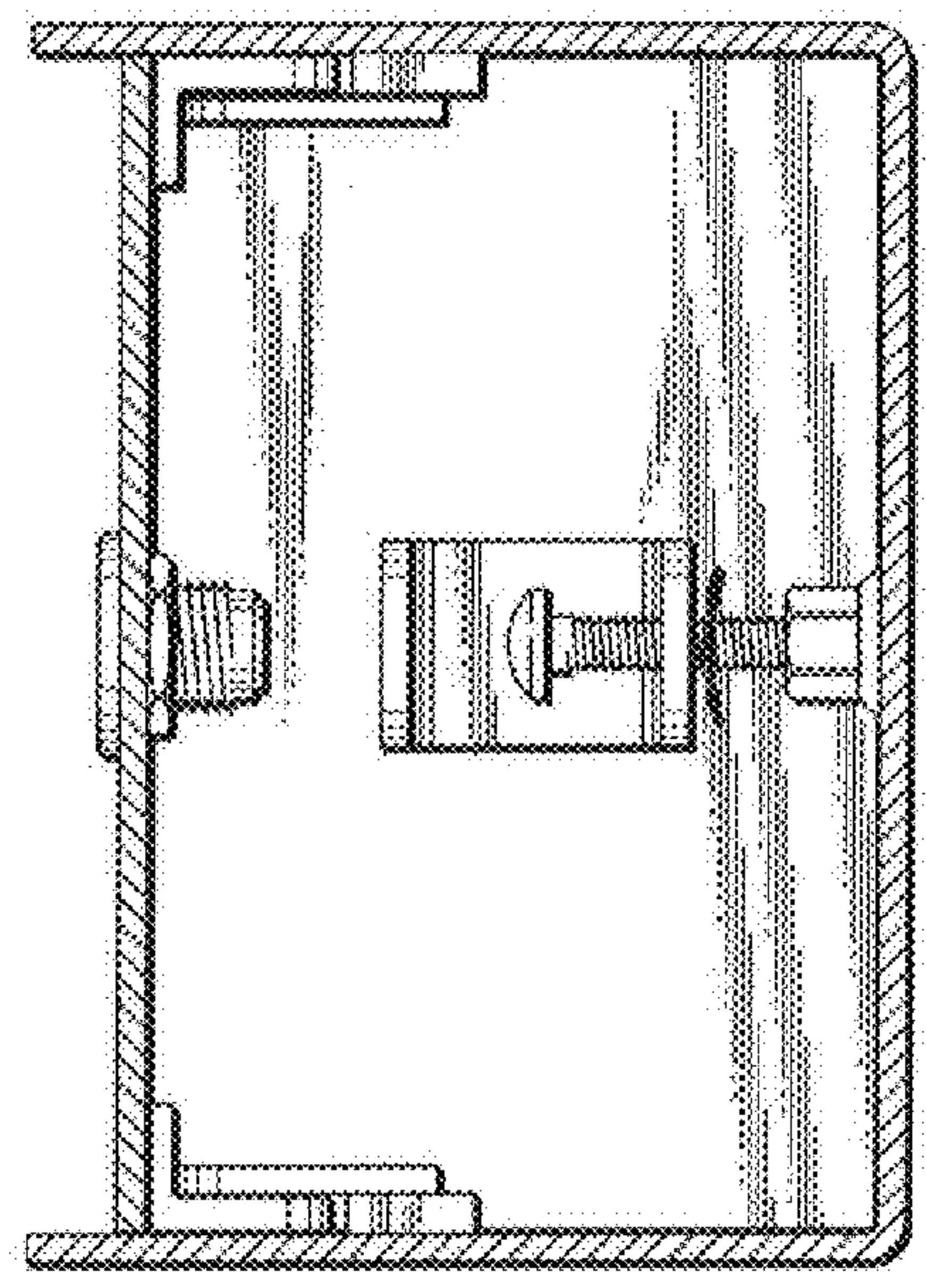


FIG. 7