

US00D675578S

(12) **United States Design Patent**  
**Chartrand et al.**

(10) **Patent No.:** **US D675,578 S**  
(45) **Date of Patent:** **\*\* Feb. 5, 2013**

(54) **PORTION OF ELECTRICAL CONNECTOR**

(75) Inventors: **Mathieu Chartrand**, Léry (CA);  
**Frédéric Boucher**, Lemoyne (CA);  
**Christopher Warnock**, Beaconsfield  
(CA); **Carlos Carpintero**, Saint-Laurent  
(CA)

(73) Assignee: **Nii Northern International Inc.**,  
Ontario (CA)

(\*\*) Term: **14 Years**

(21) Appl. No.: **29/402,057**

(22) Filed: **Sep. 20, 2011**

**Related U.S. Application Data**

(63) Continuation of application No. 29/357,721, filed on  
Mar. 16, 2010, now Pat. No. Des. 645,406.

(51) **LOC (9) Cl.** ..... **13-03**

(52) **U.S. Cl.** ..... **D13/154**

(58) **Field of Classification Search** ..... D13/120,  
D13/133, 147, 154, 184, 199; 439/839, 849–850,  
439/852, 862, 870, 877, 884–885, 887–891  
See application file for complete search history.

(56) **References Cited**

**U.S. PATENT DOCUMENTS**

6,450,844 B1 \* 9/2002 Mizumura et al. .... 439/884  
D603,804 S \* 11/2009 Urano ..... D13/154  
7,740,511 B2 \* 6/2010 Katano ..... 439/816

D636,344 S \* 4/2011 Naito ..... D13/154  
2010/0002419 A1 \* 1/2010 Naito ..... 362/97.1  
2010/0203752 A1 \* 8/2010 Urano ..... 439/265  
2010/0267289 A1 \* 10/2010 Urano ..... 439/733.1

\* cited by examiner

*Primary Examiner* — Daniel Bui

(74) *Attorney, Agent, or Firm* — McAndrews, Held &  
Malloy, Ltd.

(57) **CLAIM**

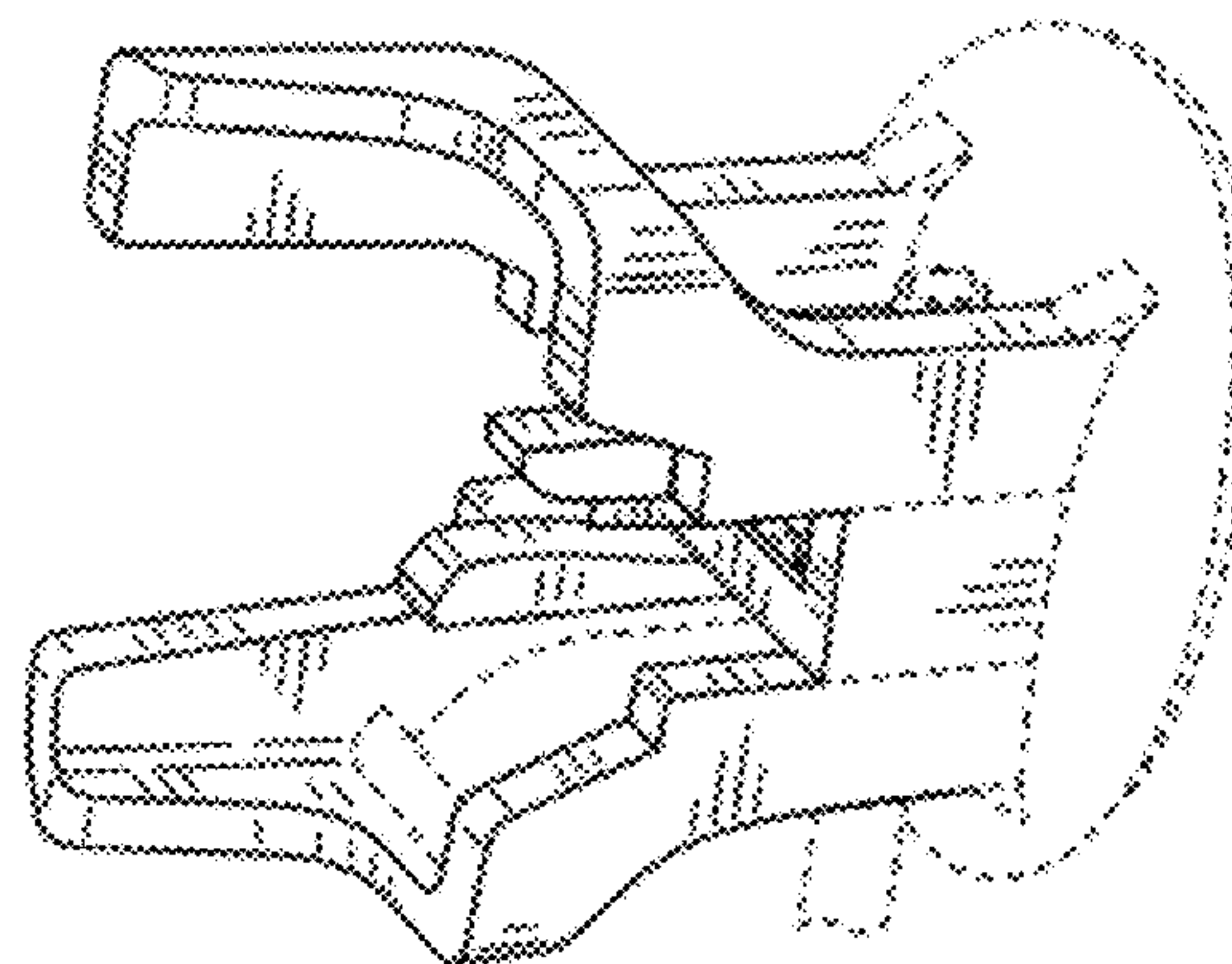
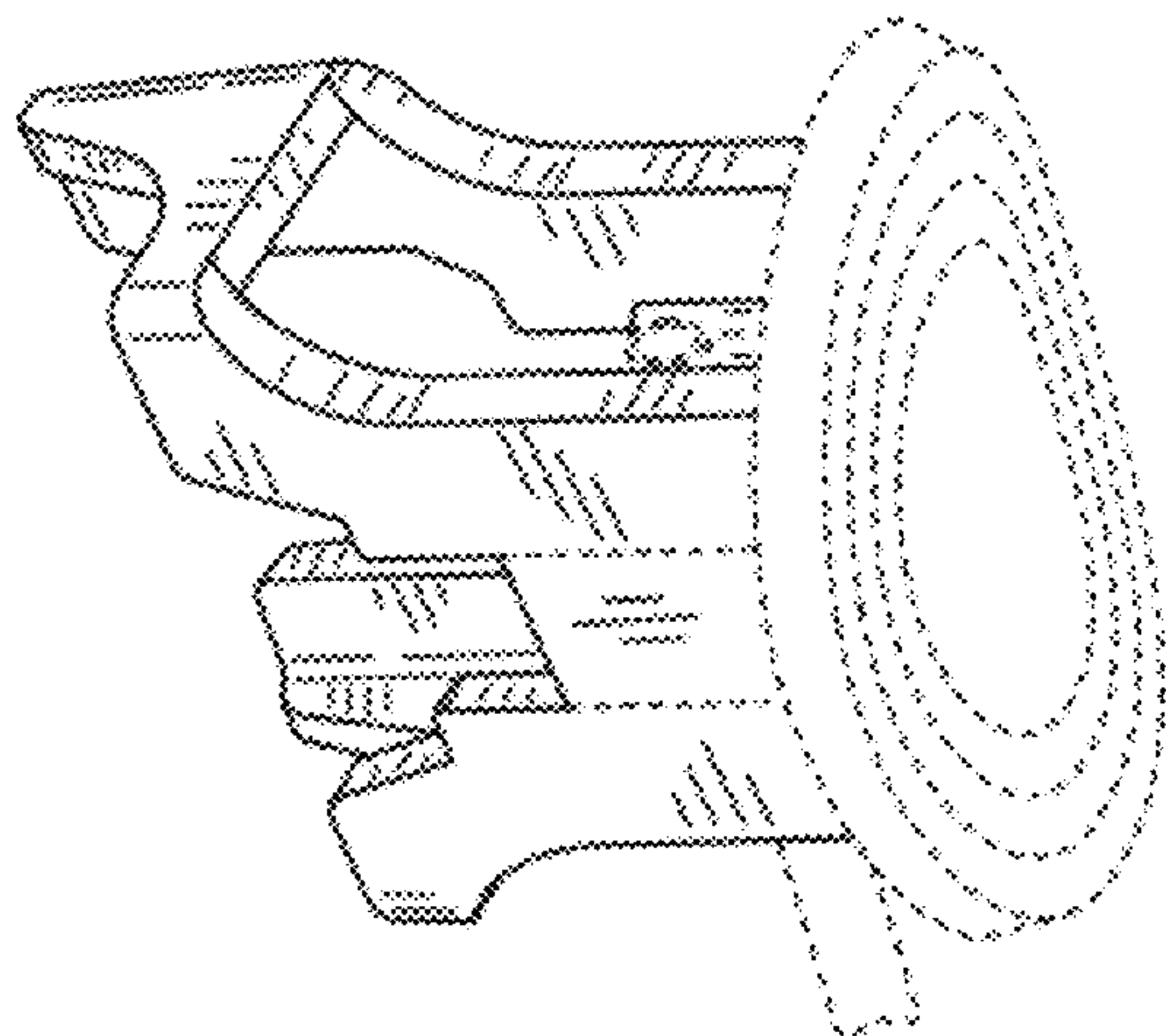
The ornamental design for a portion of electrical connector, as  
shown and described.

**DESCRIPTION**

FIG. 1 is a front perspective view of our new design for a  
portion of electrical connector;  
FIG. 2 is another front perspective view thereof;  
FIG. 3 is a front elevation view thereof;  
FIG. 4 is a back elevation view thereof;  
FIG. 5 is a right-side elevation view thereof;  
FIG. 6 is a left-side elevation view thereof;  
FIG. 7 is top plan view thereof;  
FIG. 8 is a bottom plan view thereof; and,  
FIG. 9 is a back perspective view thereof.

In the drawings, all areas or surfaces that include shade or  
contour lines are part of the claimed design. The broken lines  
in the drawings are included for the purpose of illustrating  
environmental subject matter and form no part of the claimed  
design.

**1 Claim, 2 Drawing Sheets**



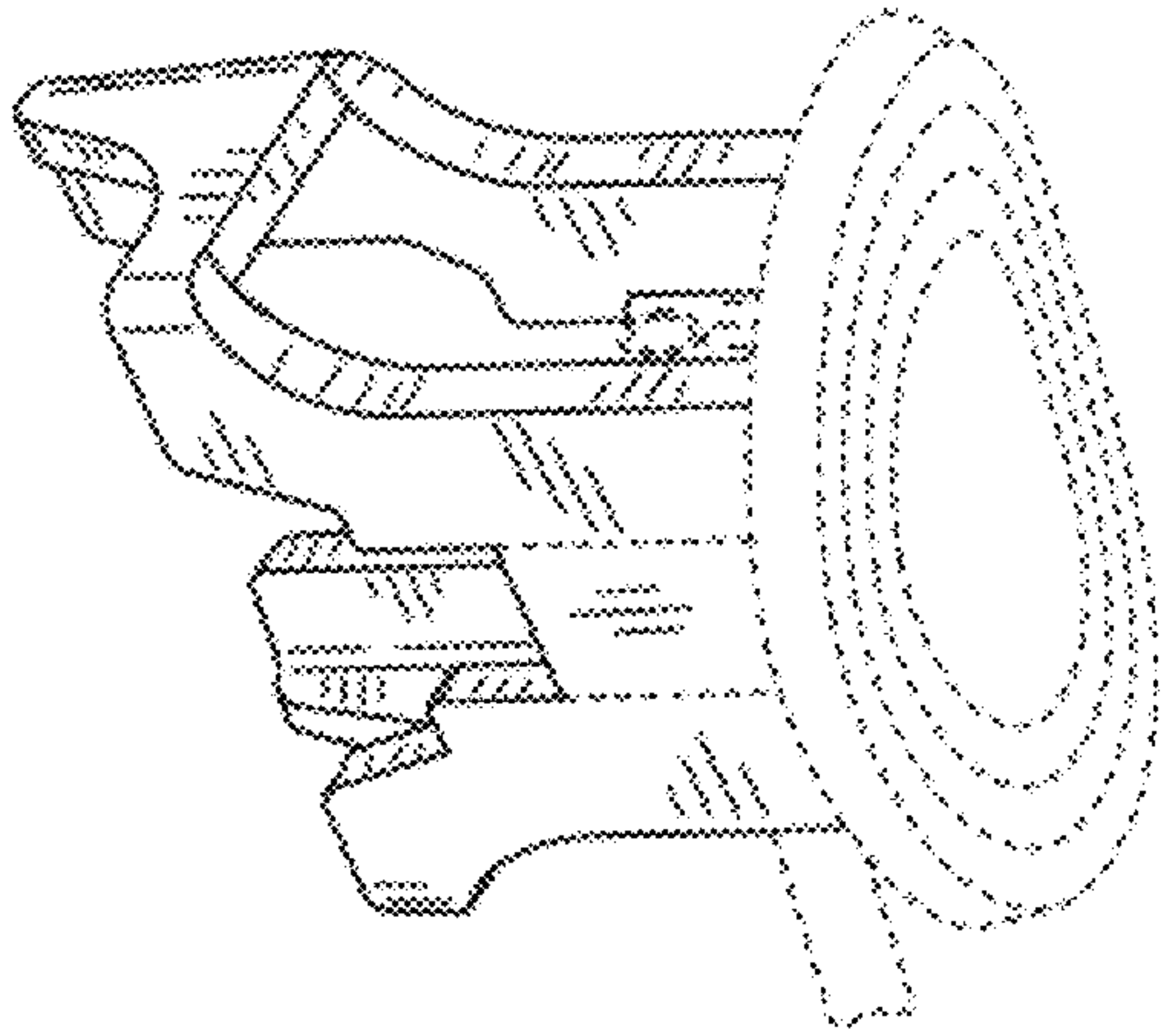


FIG. 1

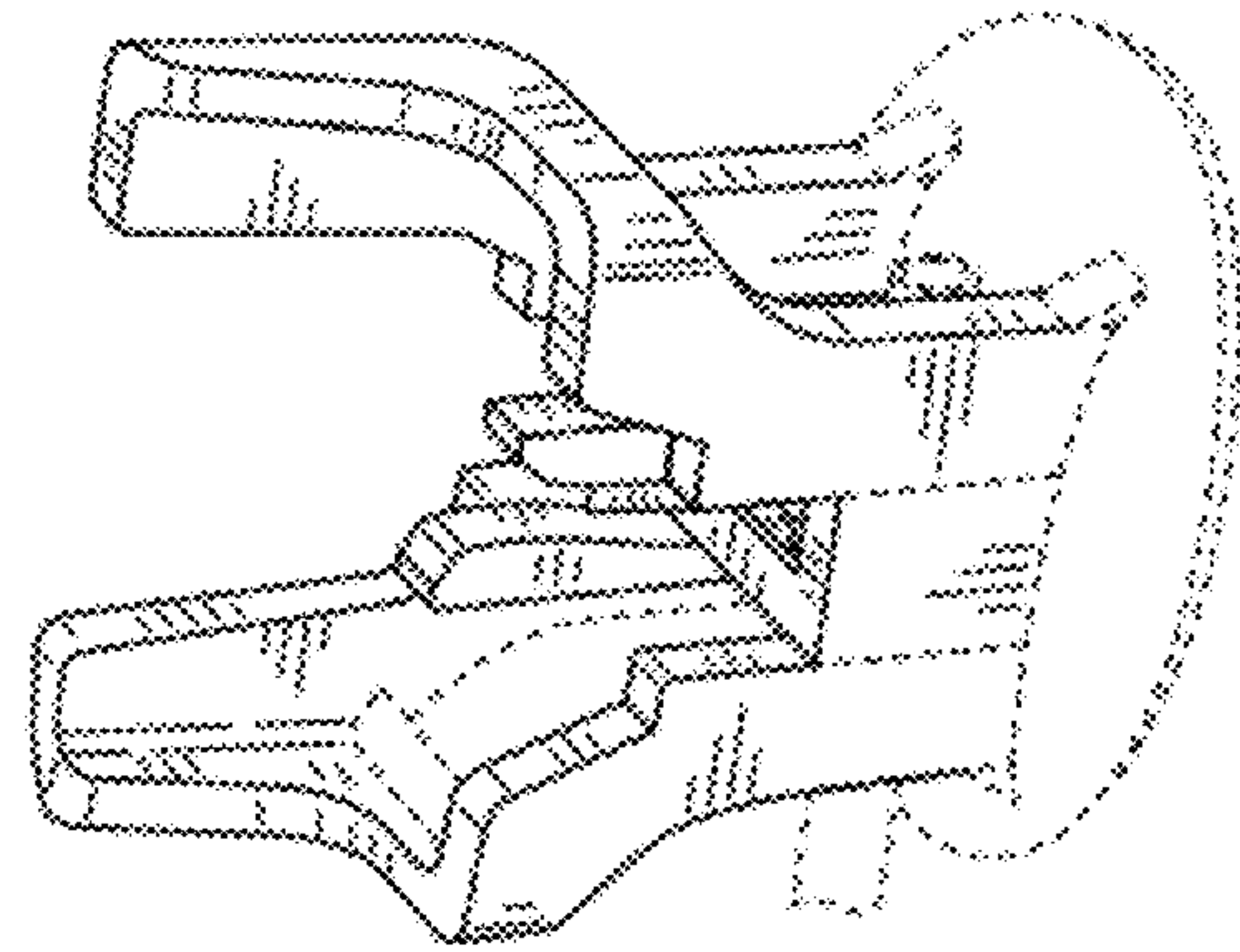


FIG. 2

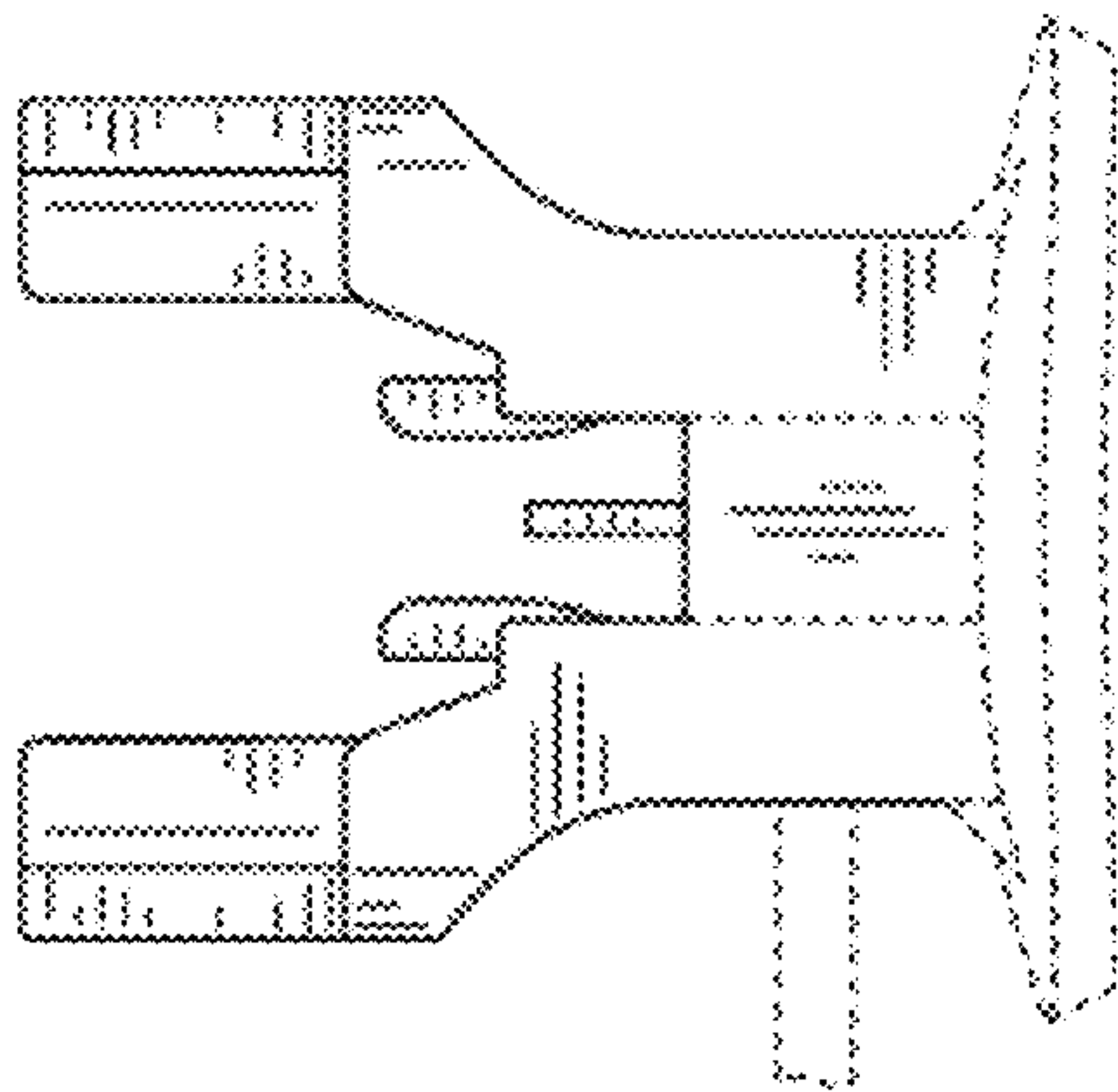


FIG. 3

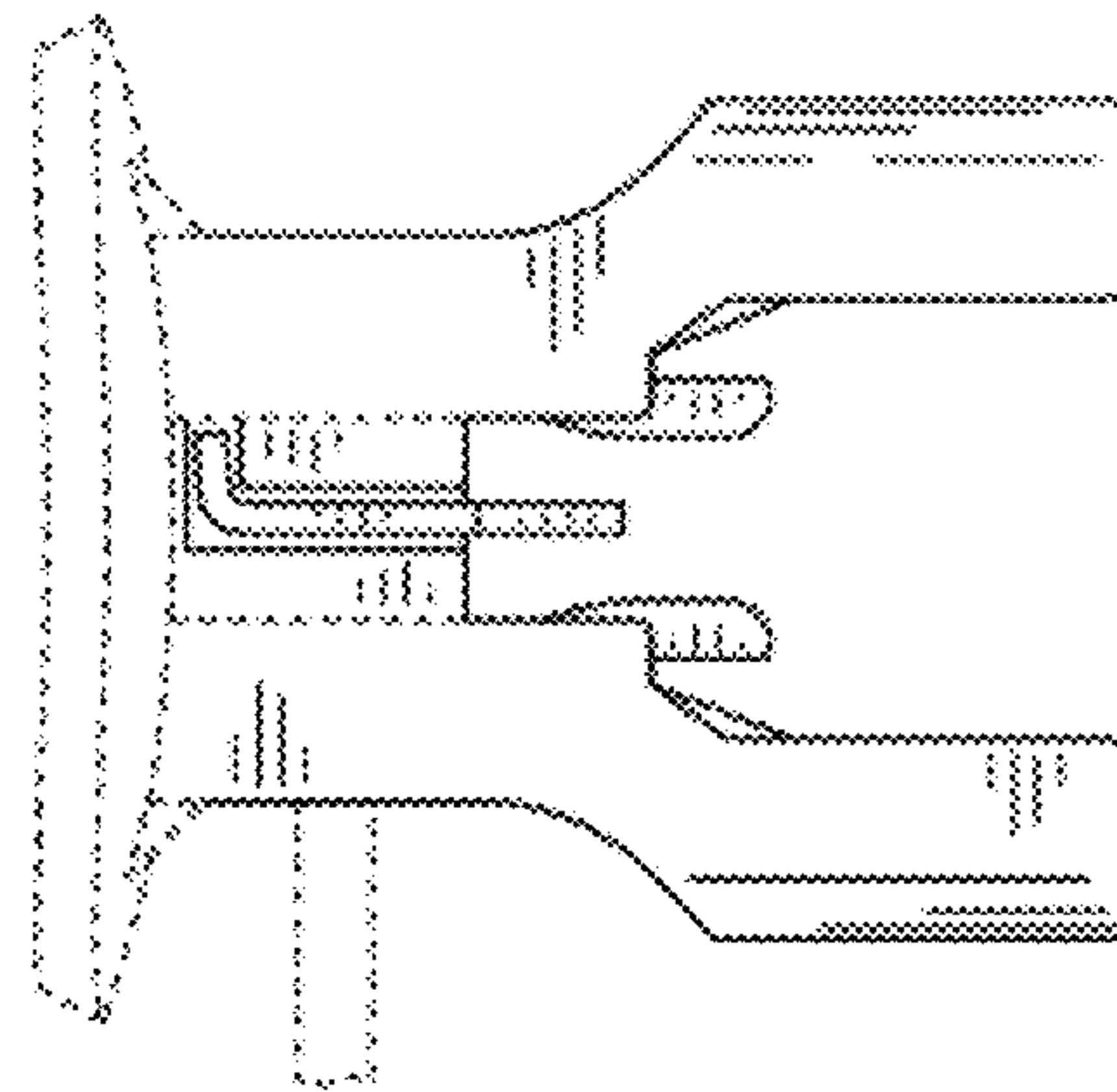


FIG. 4

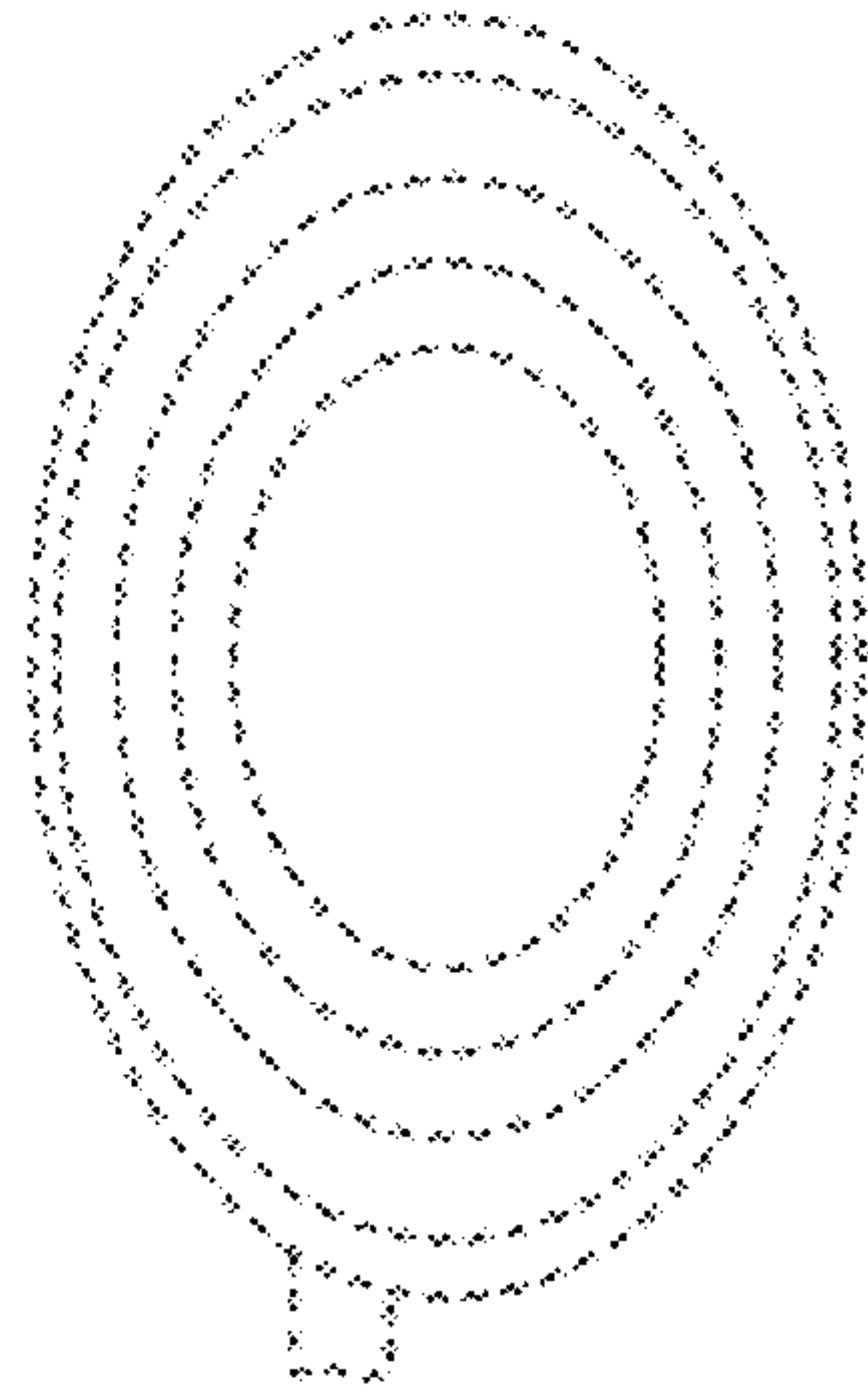


FIG. 5

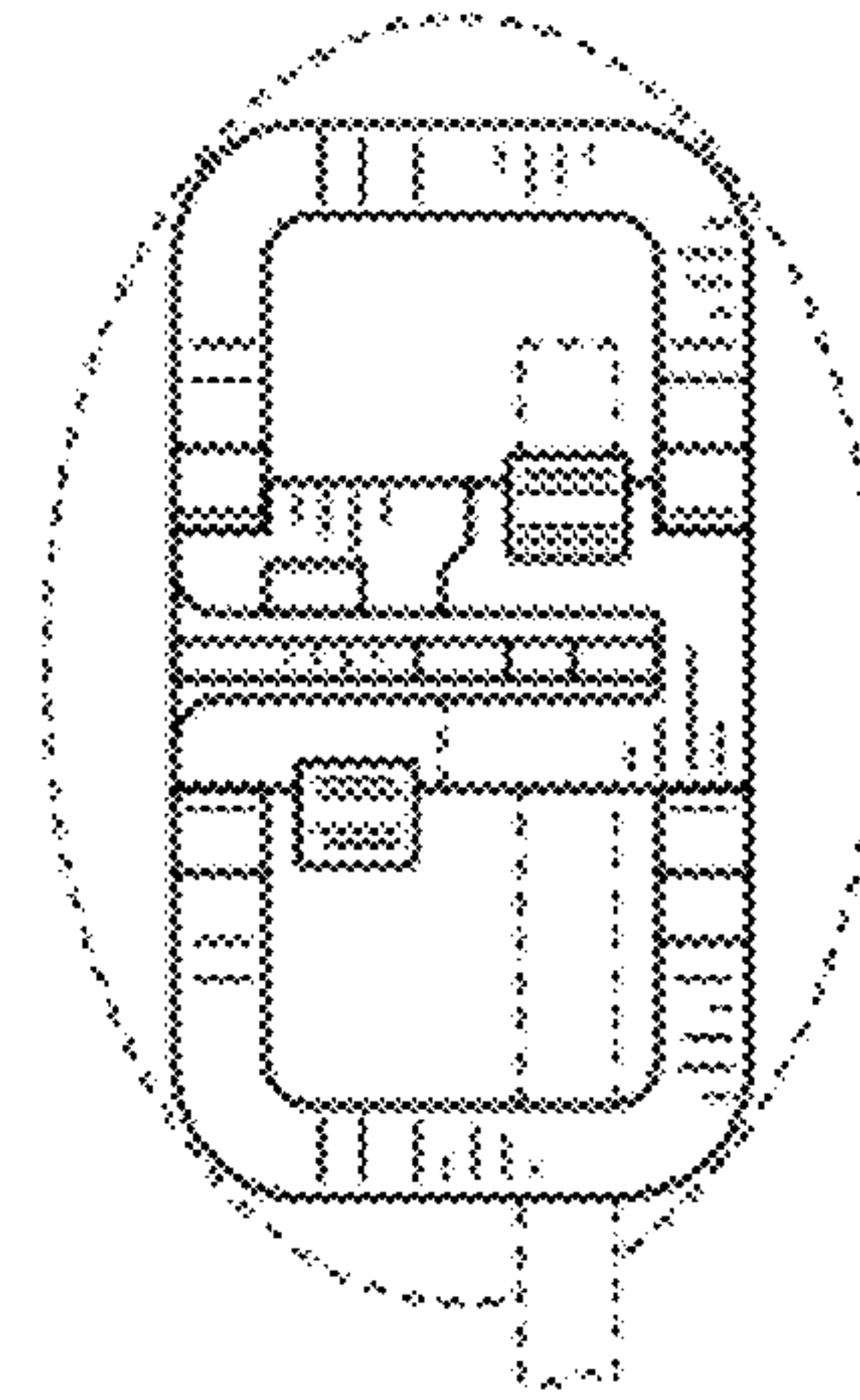


FIG. 6

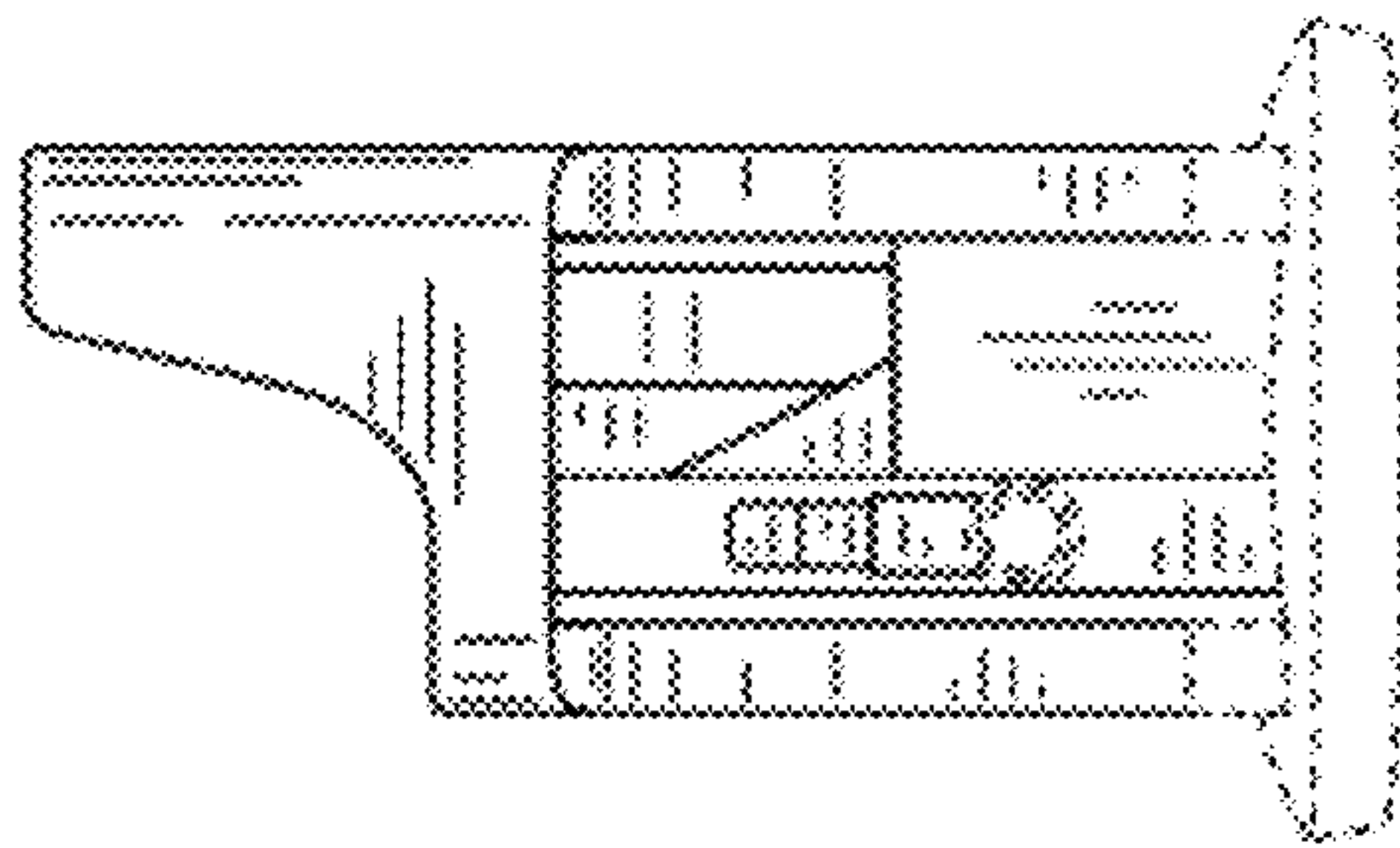


FIG. 7

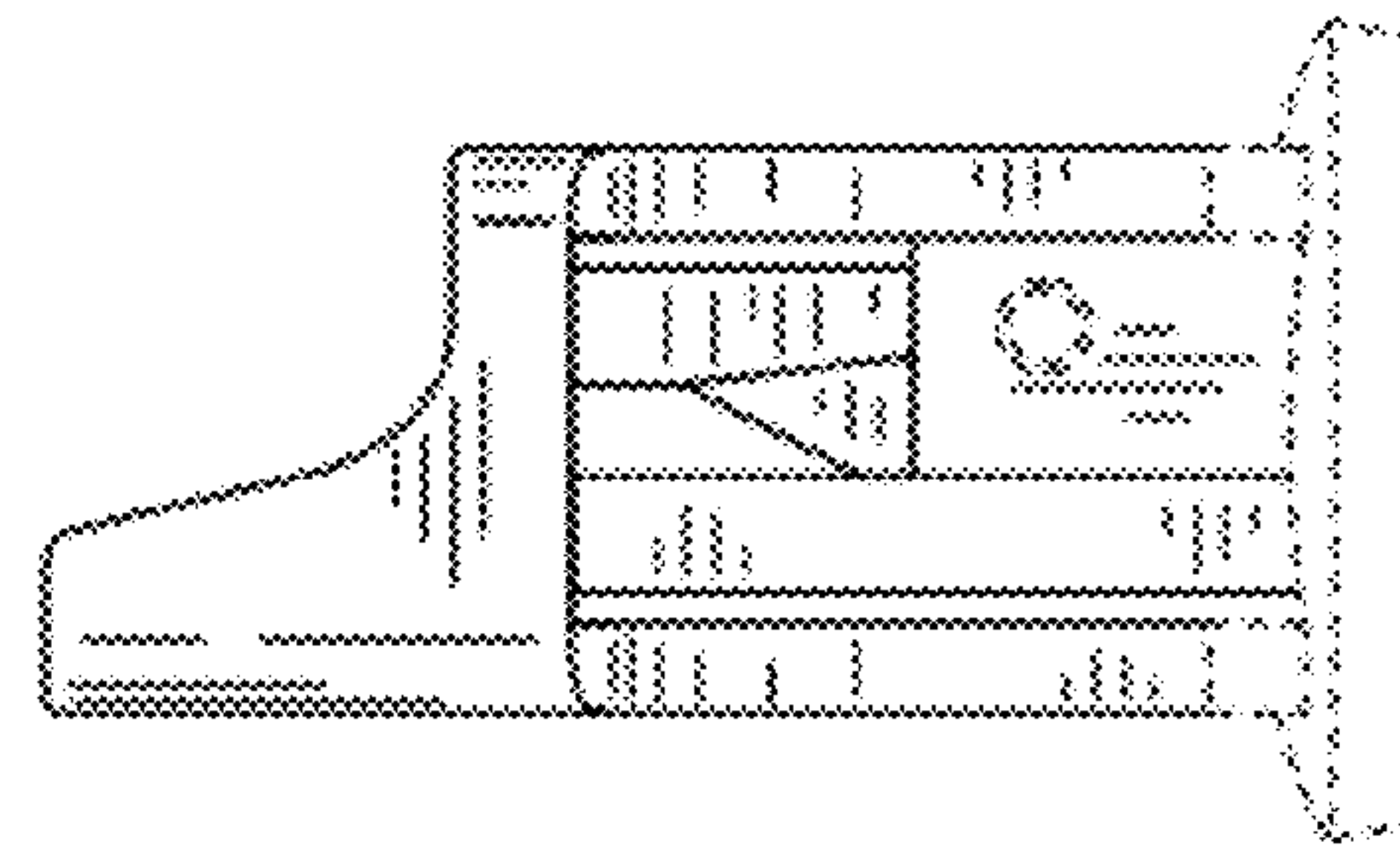


FIG. 8

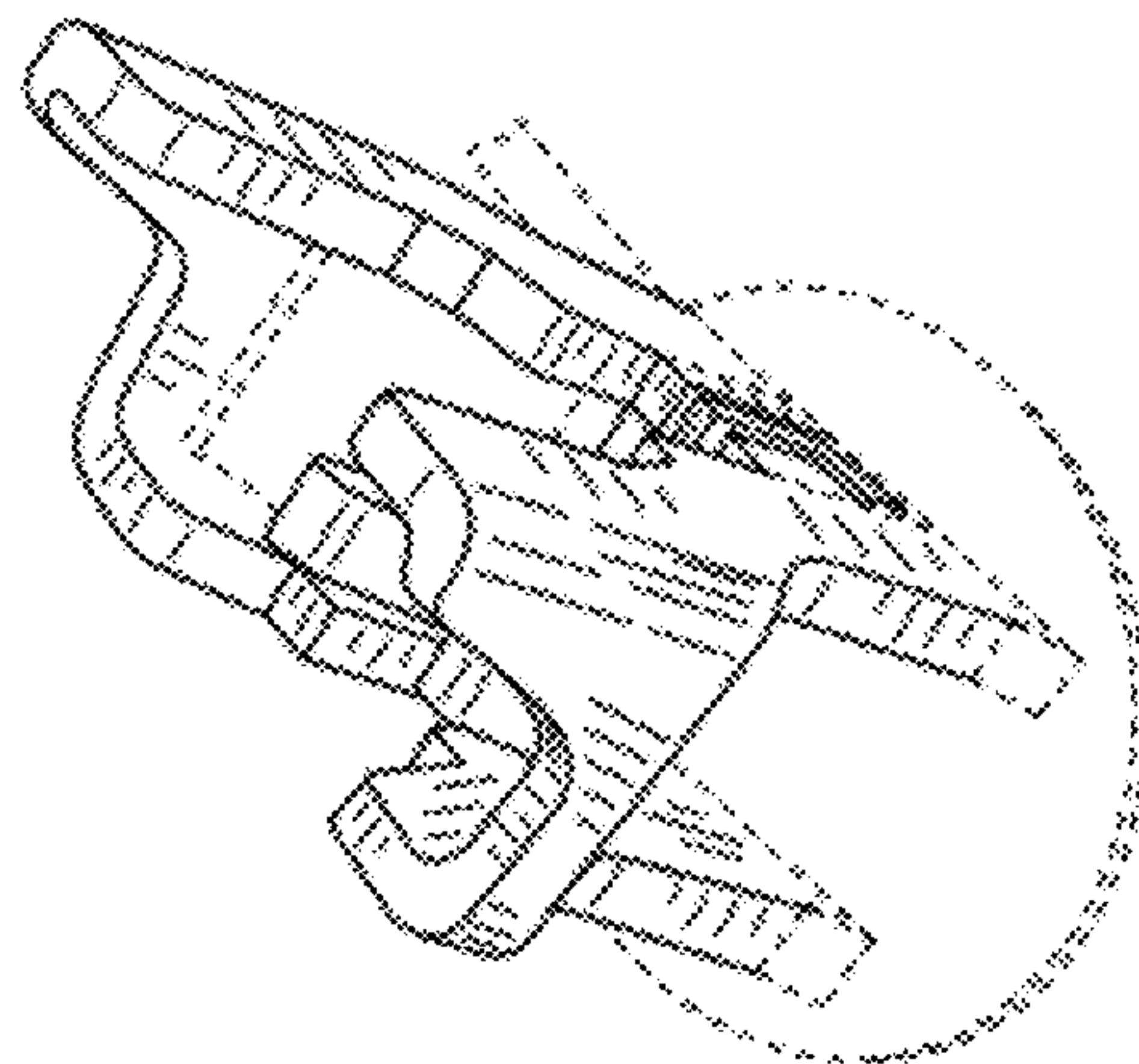


FIG. 9