



US00D675577S

(12) **United States Design Patent**
Dicaire et al.

(10) **Patent No.:** **US D675,577 S**

(45) **Date of Patent:** **** Feb. 5, 2013**

(54) **TERMINAL BLOCK**

(75) Inventors: **Andre A. Dicaire**, Round Rock, TX
(US); **Bernie Larson**, Round Rock, TX
(US); **Kent Allan Burr**, Round Rock,
TX (US)

(73) Assignee: **Fisher-Rosemount Systems, Inc.**,
Austin, TX (US)

(**) Term: **14 Years**

(21) Appl. No.: **29/375,785**

(22) Filed: **Sep. 27, 2010**

(51) **LOC (9) Cl.** **13-03**

(52) **U.S. Cl.** **D13/154**

(58) **Field of Classification Search** D13/118,
D13/120, 133, 147, 154, 156, 158, 161, 173,
D13/174, 175, 176, 177, 178, 184, 199;
439/849-850, 852, 870, 877, 884-885, 887-892,
439/894

See application file for complete search history.

(56) **References Cited**

U.S. PATENT DOCUMENTS

D281,415 S	*	11/1985	Nusse	D13/147
D332,253 S	*	1/1993	Bossard et al.	D13/156
D365,547 S	*	12/1995	Steinwachs et al.	D13/178
D437,297 S	*	2/2001	Hubler et al.	D13/162
D437,583 S	*	2/2001	Hubler et al.	D13/162

D442,557 S	*	5/2001	Hubler et al.	D13/162
D463,384 S	*	9/2002	Hu	D13/199
D471,876 S	*	3/2003	Jaag	D13/154
D567,191 S	*	4/2008	Eichinger	D13/171
D591,185 S	*	4/2009	Garcia-Maurino Delas ..	D10/99
D627,740 S	*	11/2010	Wu et al.	D13/154

OTHER PUBLICATIONS

Non-Final Office Action issued by the United States Patent and Trademark Office on May 4, 2012, in connection with U.S. Appl. No. 29/375,787 (14 pages).

United States Patent and Trademark Office, "Notice of Allowance" issued in connection with U.S. Appl. No. 29/375,787, mailed on Aug. 22, 2012, 12 pages.

* cited by examiner

Primary Examiner — Daniel Bui

(74) *Attorney, Agent, or Firm* — Hanley, Flight & Zimmerman, LLC

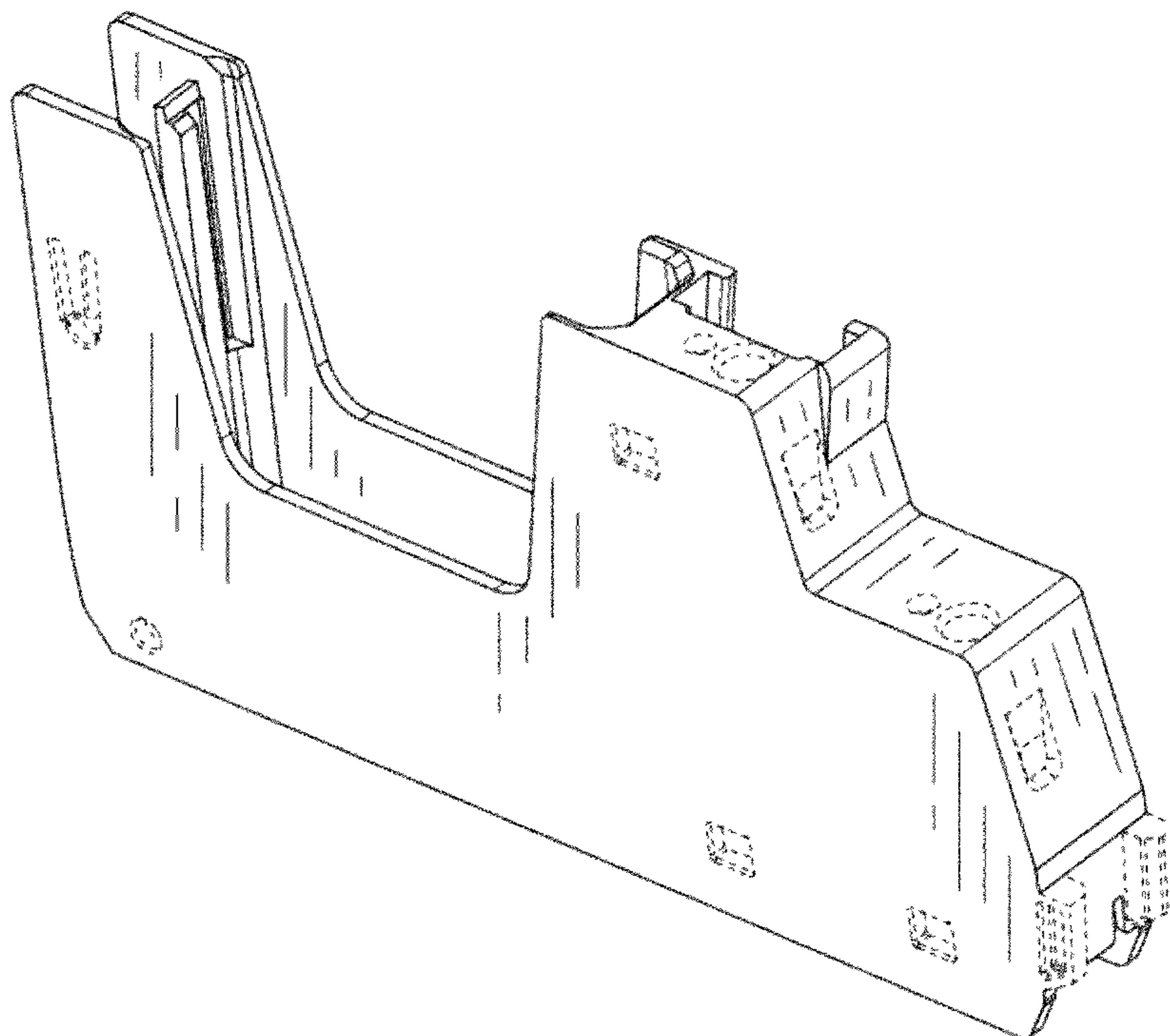
(57) **CLAIM**

The ornamental design for a terminal block, as shown and described.

DESCRIPTION

FIG. 1 is a perspective view of a terminal block.
FIG. 2 is a side view of the terminal block of FIG. 1.
FIG. 3 is another side view of the terminal block of FIG. 1;
and,
FIG. 4 is a top view of the terminal block of FIG. 1.
The features shown in-broken lines form no part of the claimed design.

1 Claim, 3 Drawing Sheets



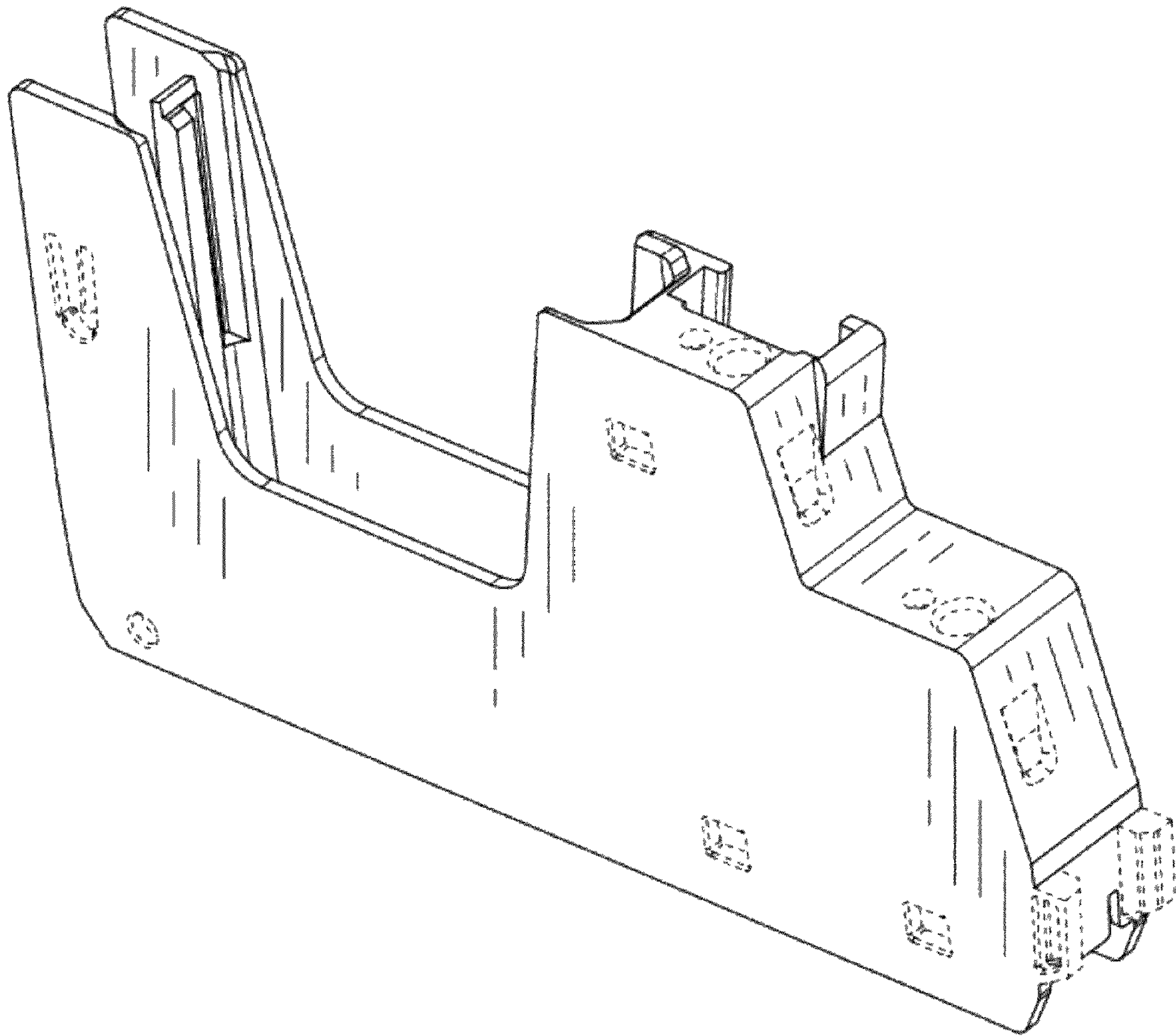


FIG. 1

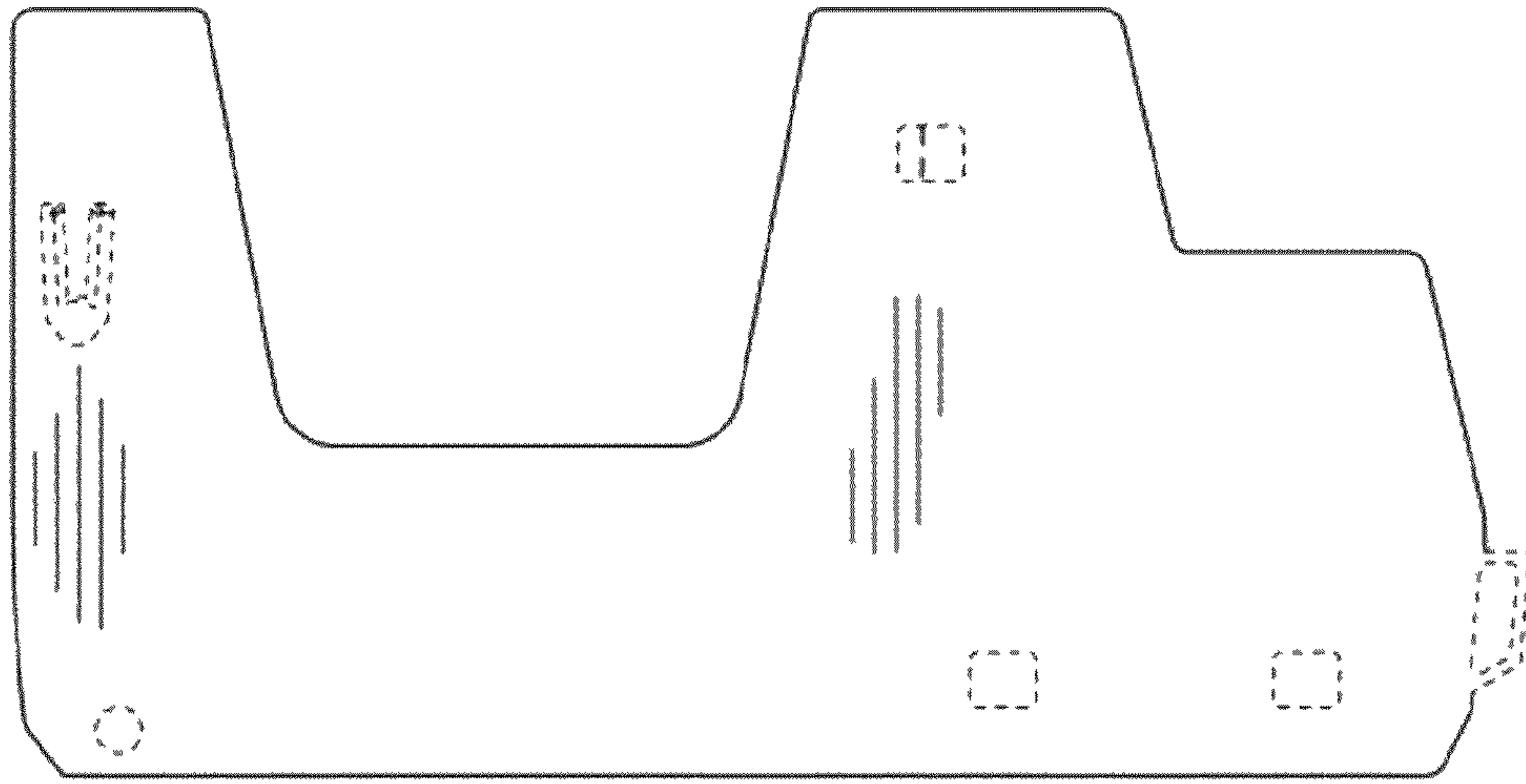


FIG. 2

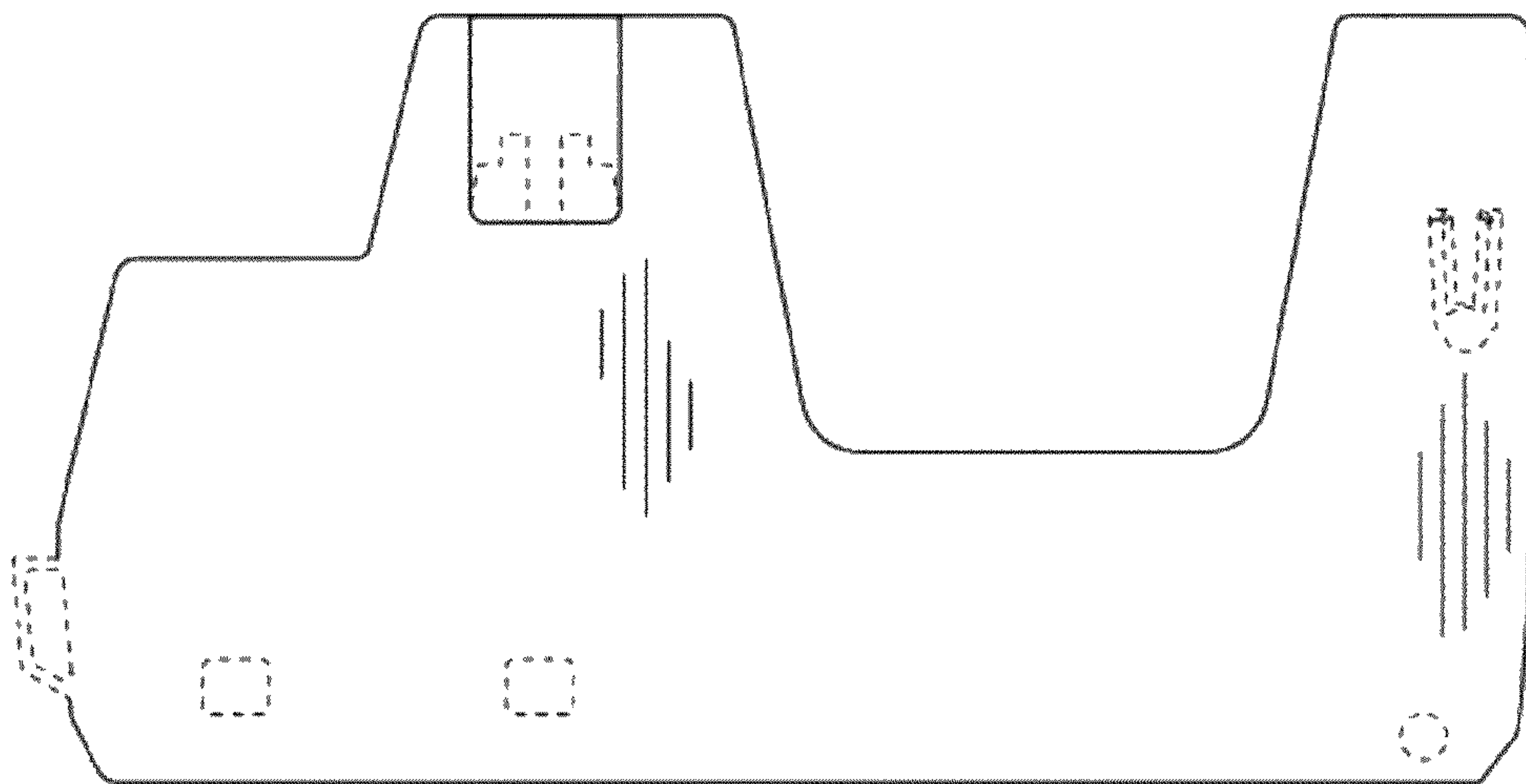


FIG. 3

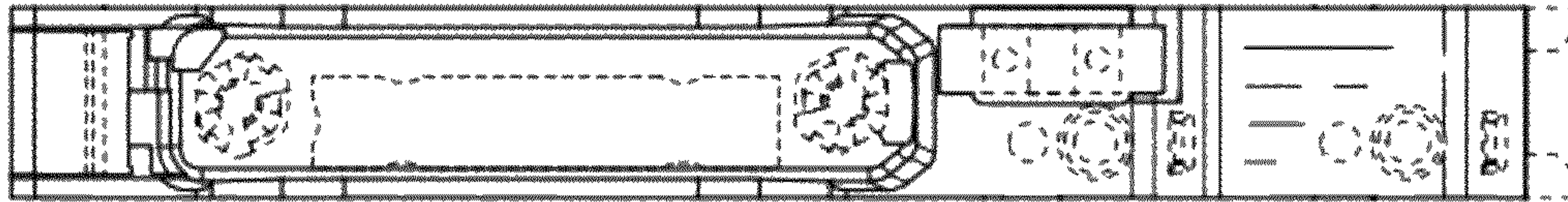


FIG. 4