



US00D675576S

(12) **United States Design Patent**  
**Nakamura**

(10) **Patent No.:** **US D675,576 S**  
(45) **Date of Patent:** **\*\* Feb. 5, 2013**

(54) **INSULATING COVER FOR A TERMINAL**  
(75) Inventor: **Rie Nakamura**, Tokyo (JP)  
(73) Assignee: **Shinagawa Shoko Co., Ltd.**, Tokyo (JP)  
(\*\*) Term: **14 Years**

JP 971996 10/1996  
JP 734629-11 6/1997  
JP 734629-12 10/1998  
JP 734629-13 10/1998  
JP 824263-2 10/1998  
JP 734629-14 10/1999

\* cited by examiner

(21) Appl. No.: **29/377,853**

*Primary Examiner* — Susan Bennett Hattan

(22) Filed: **Oct. 27, 2010**

(74) *Attorney, Agent, or Firm* — Holtz, Holtz, Goodman & Chick, P.C.

(51) **LOC (9) Cl.** ..... **13-03**

(52) **U.S. Cl.** ..... **D13/153**

(58) **Field of Classification Search** ..... D13/184,  
D13/156, 155, 154, 153, 152, 147, 139.1–139.4,  
D13/137.1–137.4, 133; 600/166; 439/675,  
439/668, 623, 578, 502, 106; 385/77; 174/151,  
174/138 F, 113 R

See application file for complete search history.

(57) **CLAIM**

The ornamental design for an insulating cover for a terminal, as shown and described.

**DESCRIPTION**

(56) **References Cited**

**U.S. PATENT DOCUMENTS**

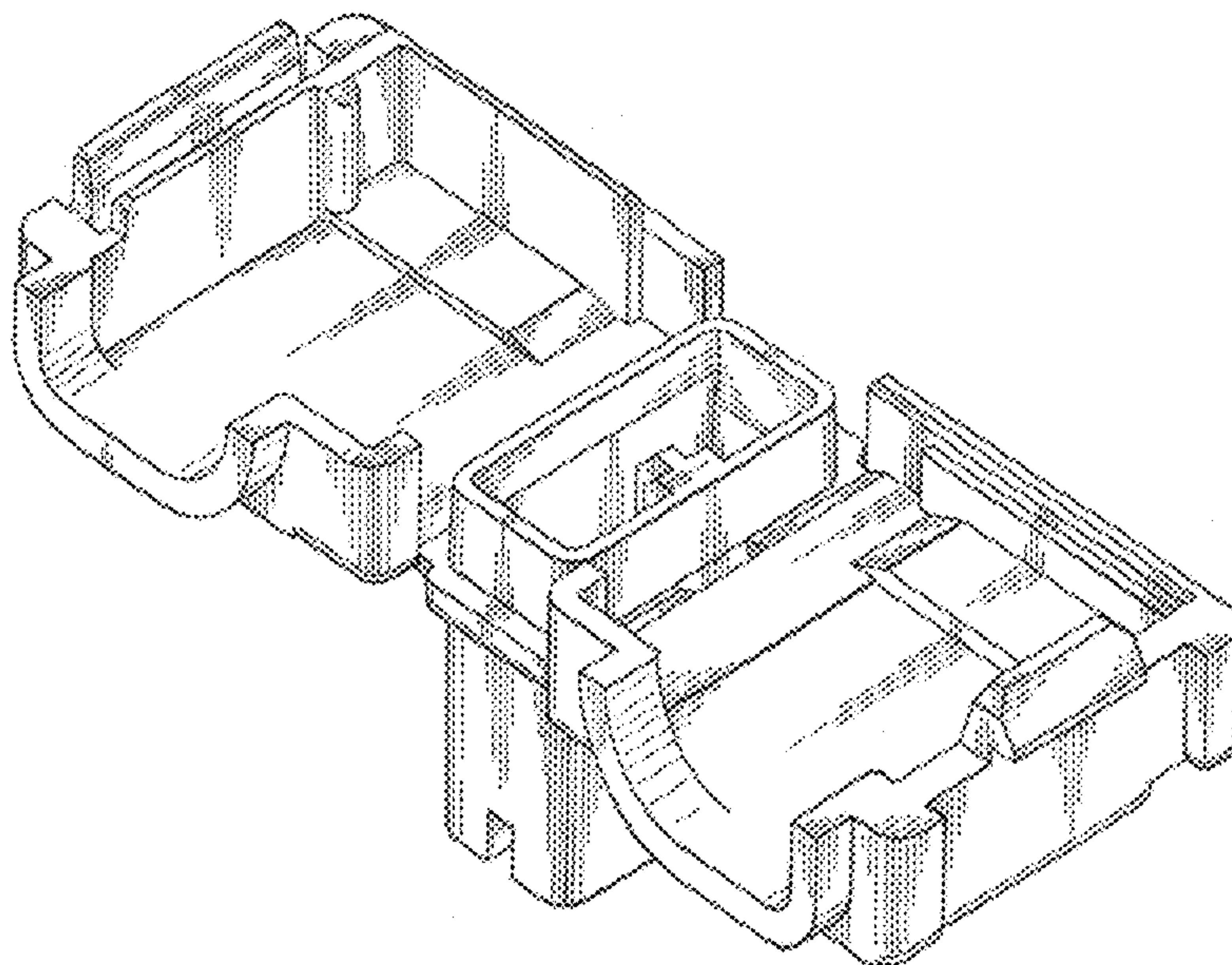
6,923,688 B1 \* 8/2005 Burson et al. .... 439/675  
D523,811 S \* 6/2006 Pinson ..... D13/137.2  
2011/0295071 A1 \* 12/2011 Sjostrom et al. .... 600/166

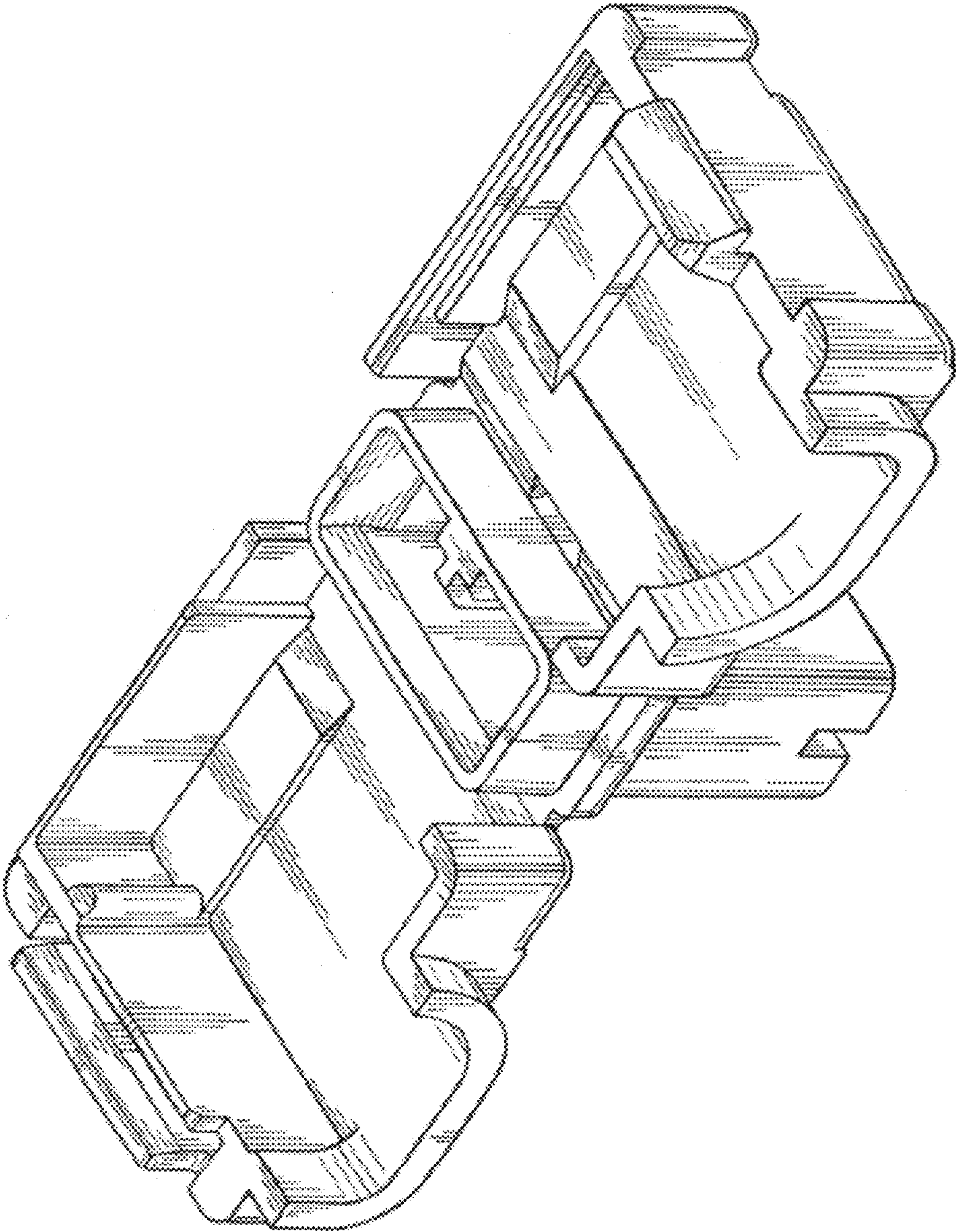
**FOREIGN PATENT DOCUMENTS**

JP 734629 2/1988  
JP 734629-1 2/1988  
JP 734629-2 1/1989  
JP 734629-3 1/1989  
JP 734629-4 8/1989  
JP 734629-5 12/1990  
JP 734629-6 12/1990  
JP 824263 9/1991  
JP 734629-7 4/1993  
JP 734629-8 4/1993  
JP 734629-9 8/1994  
JP 734629-10 6/1995  
JP 824263-1 6/1995

FIG. 1 is a perspective view of an insulating cover for a terminal showing my new design, shown in an open position; FIG. 2 is a front elevational view thereof; FIG. 3 is a rear elevational view thereof; FIG. 4 is a top plan view thereof; FIG. 5 is a bottom plan view thereof; FIG. 6 is a right side elevational view thereof; FIG. 7 is a left side elevational view thereof; FIG. 8 is a front elevational view thereof, in a closed position; FIG. 9 is a rear elevational view thereof; FIG. 10 is a top plan view thereof; FIG. 11 is a bottom plan view thereof; FIG. 12 is a right side elevational view thereof; FIG. 13 is a left side elevational view thereof; FIG. 14 is a cross-sectional view along line 14-14 in FIG. 4; FIG. 15 is a cross-sectional view along line 15-15 in FIG. 4; FIG. 16 is a cross-sectional view along line 16-16 in FIG. 4; and, FIG. 17 is a cross-sectional view along line 17-17 in FIG. 8.

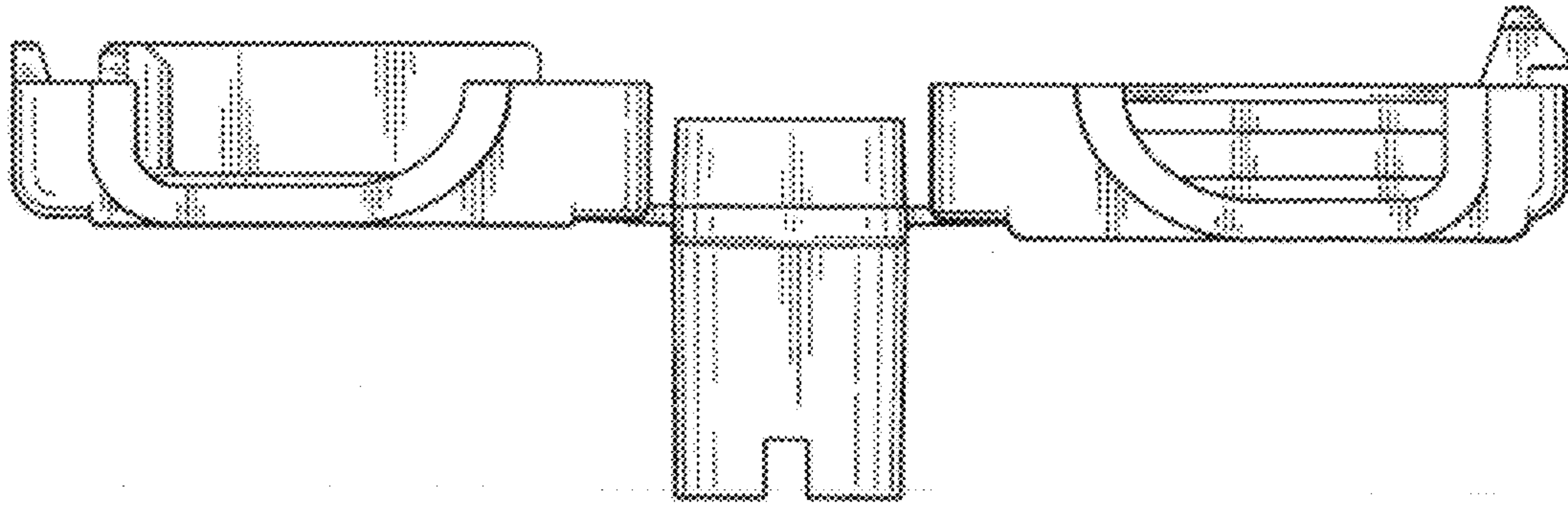
**1 Claim, 10 Drawing Sheets**



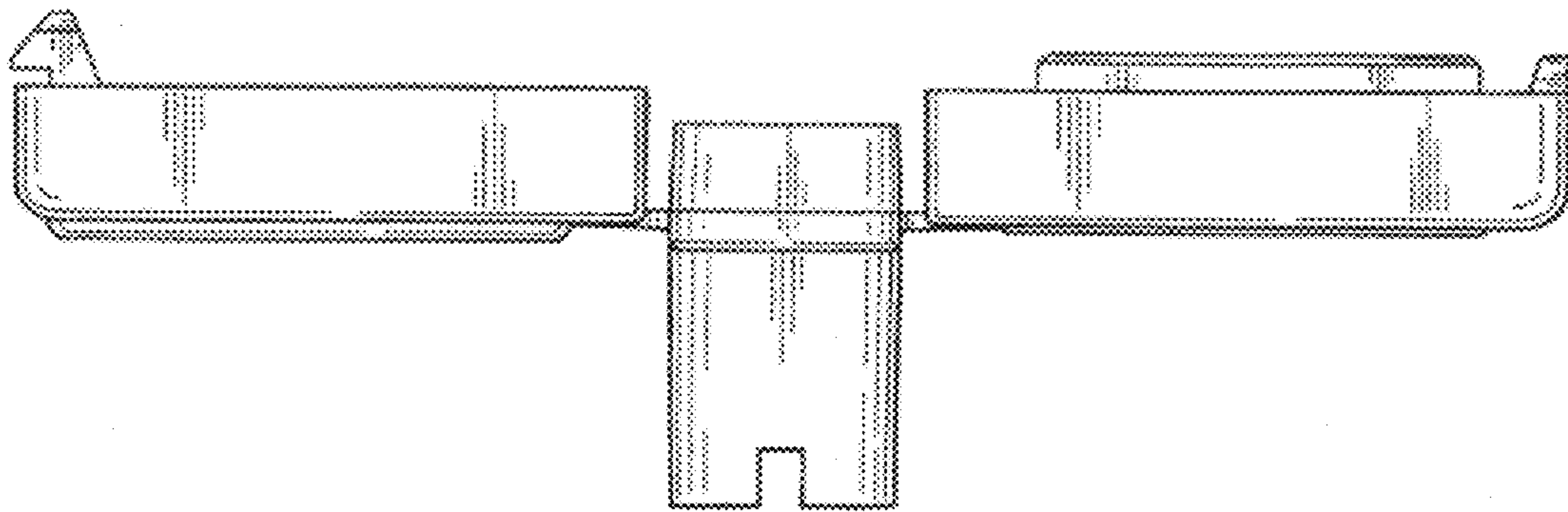


*Fig. 1*





*Fig. 2*



*Fig. 3*

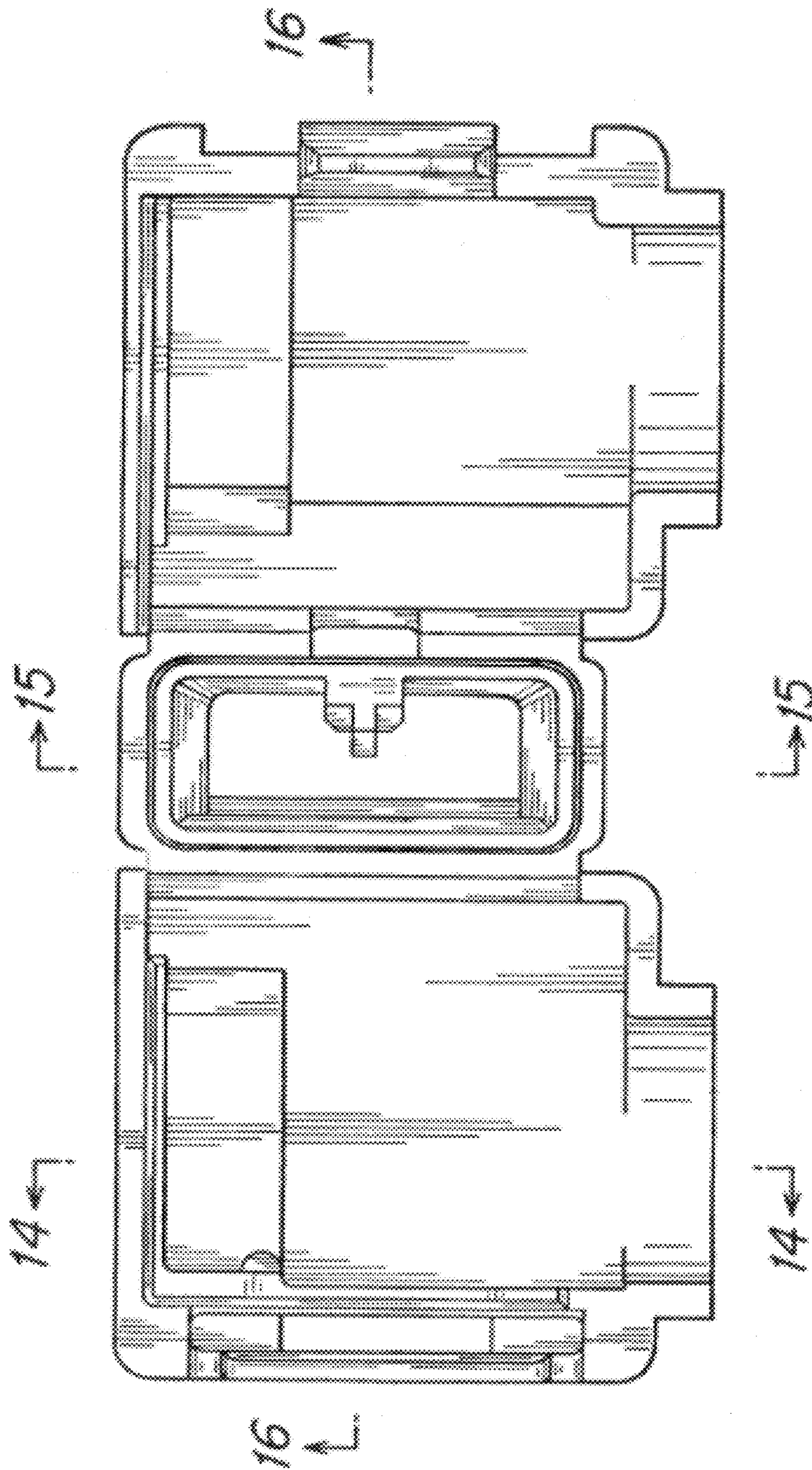
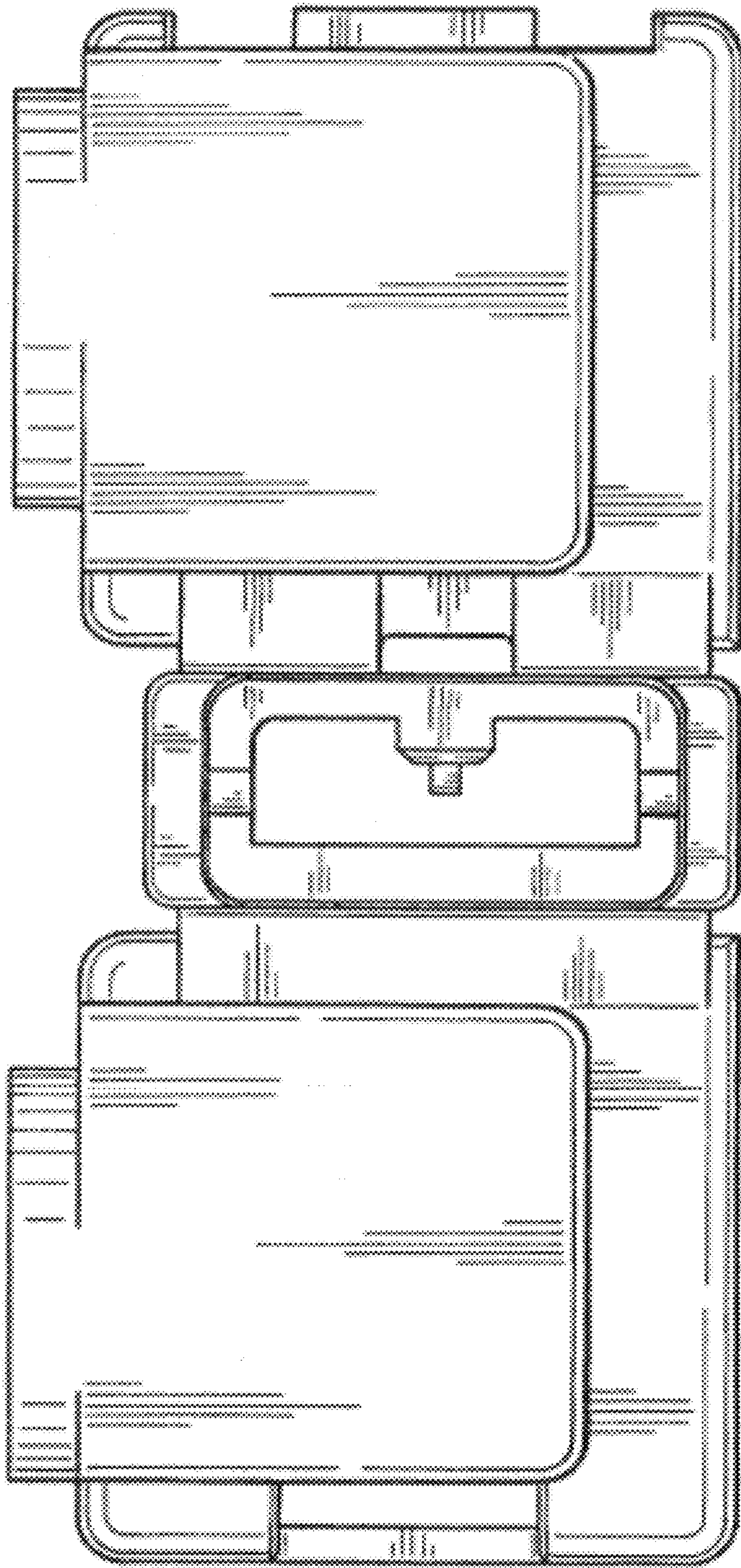
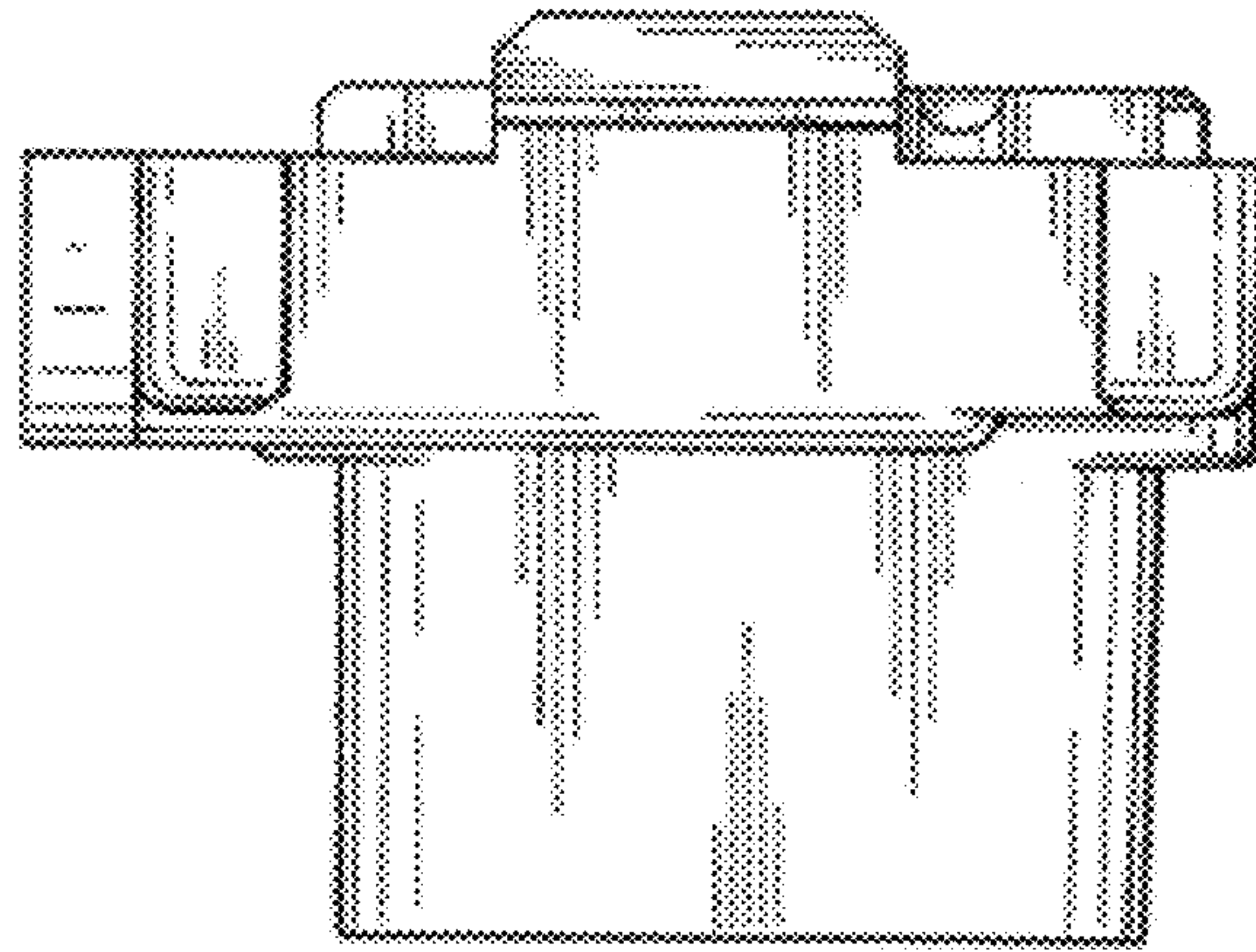


Fig. 4

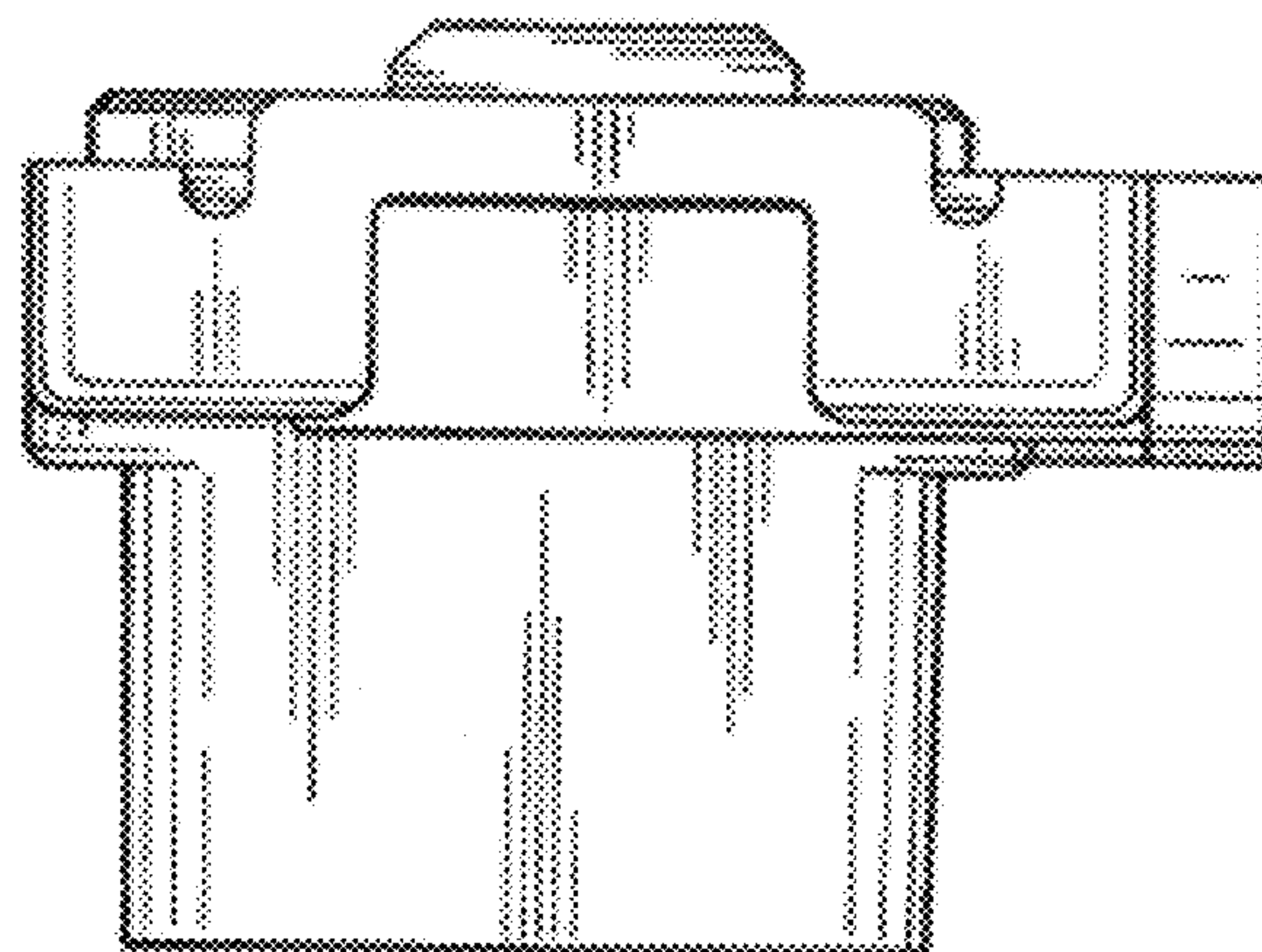




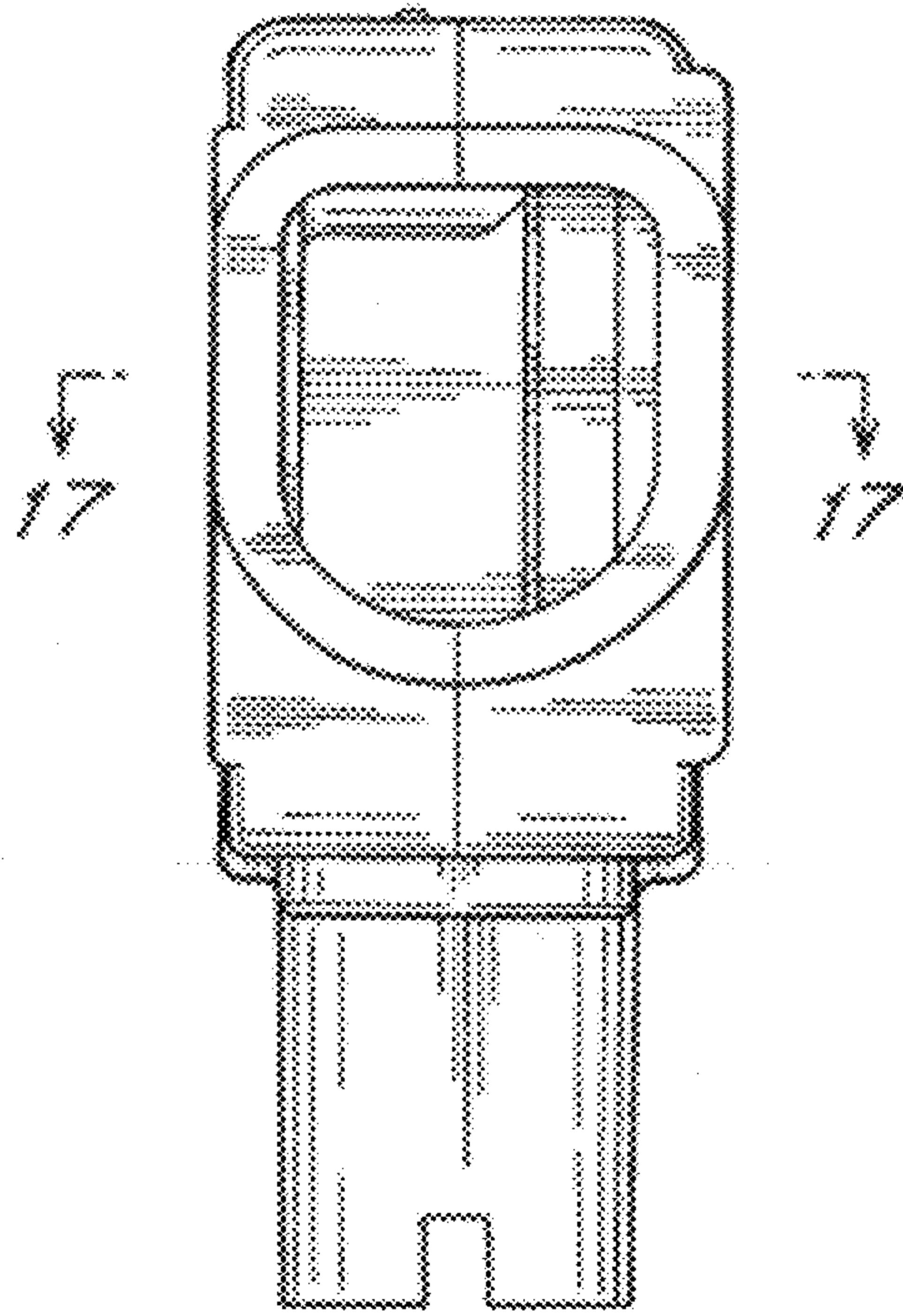
*Fig. 5*



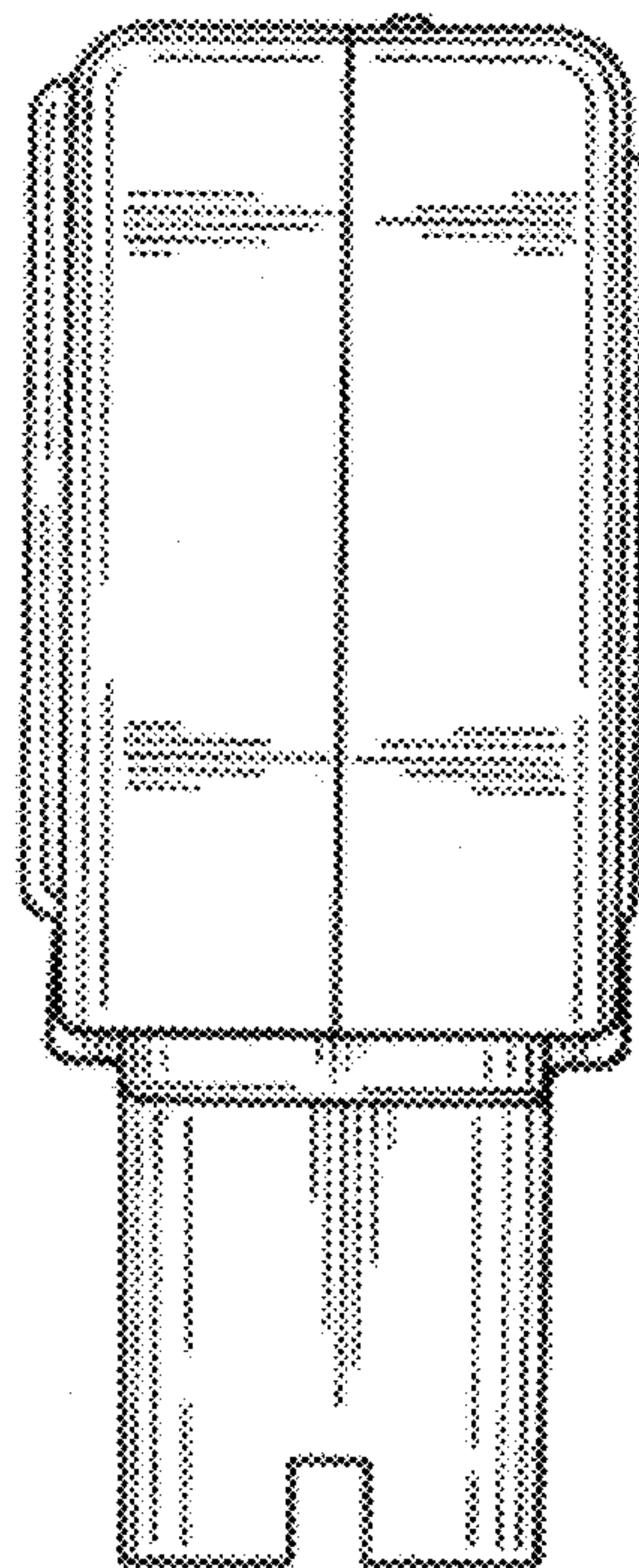
*Fig. 6*



*Fig. 7*

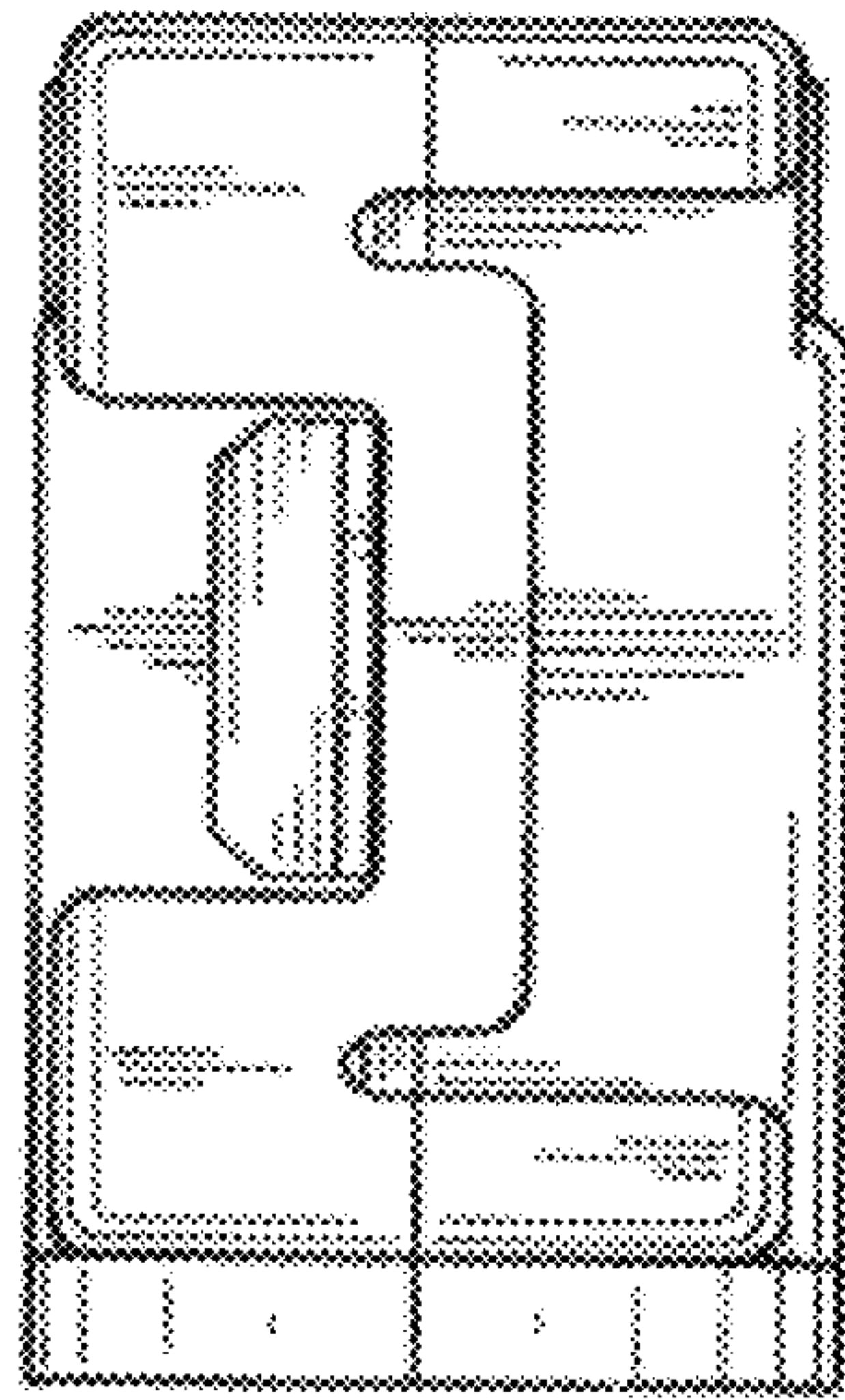


*Fig. 8*

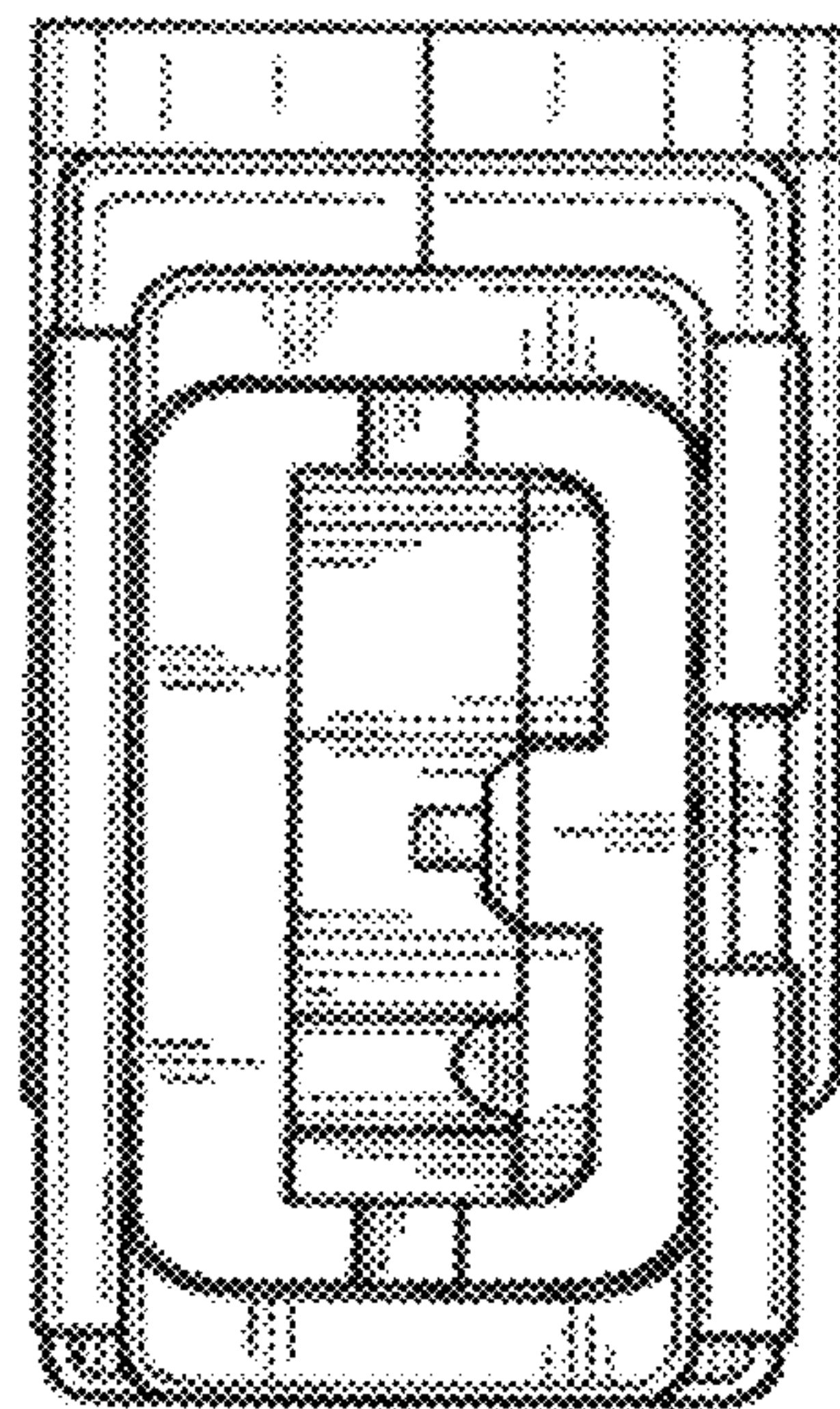


*Fig. 9*



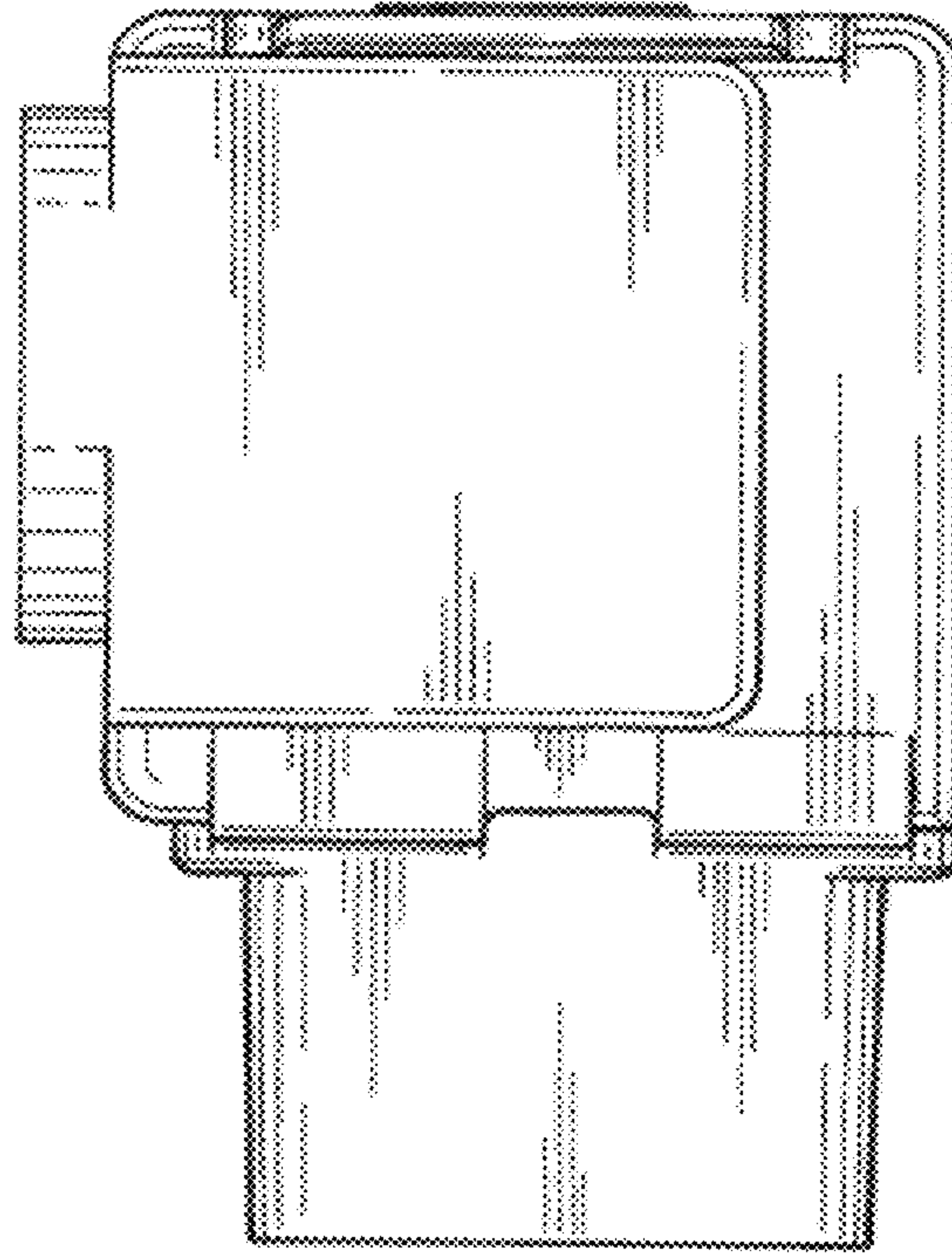


*Fig. 10*

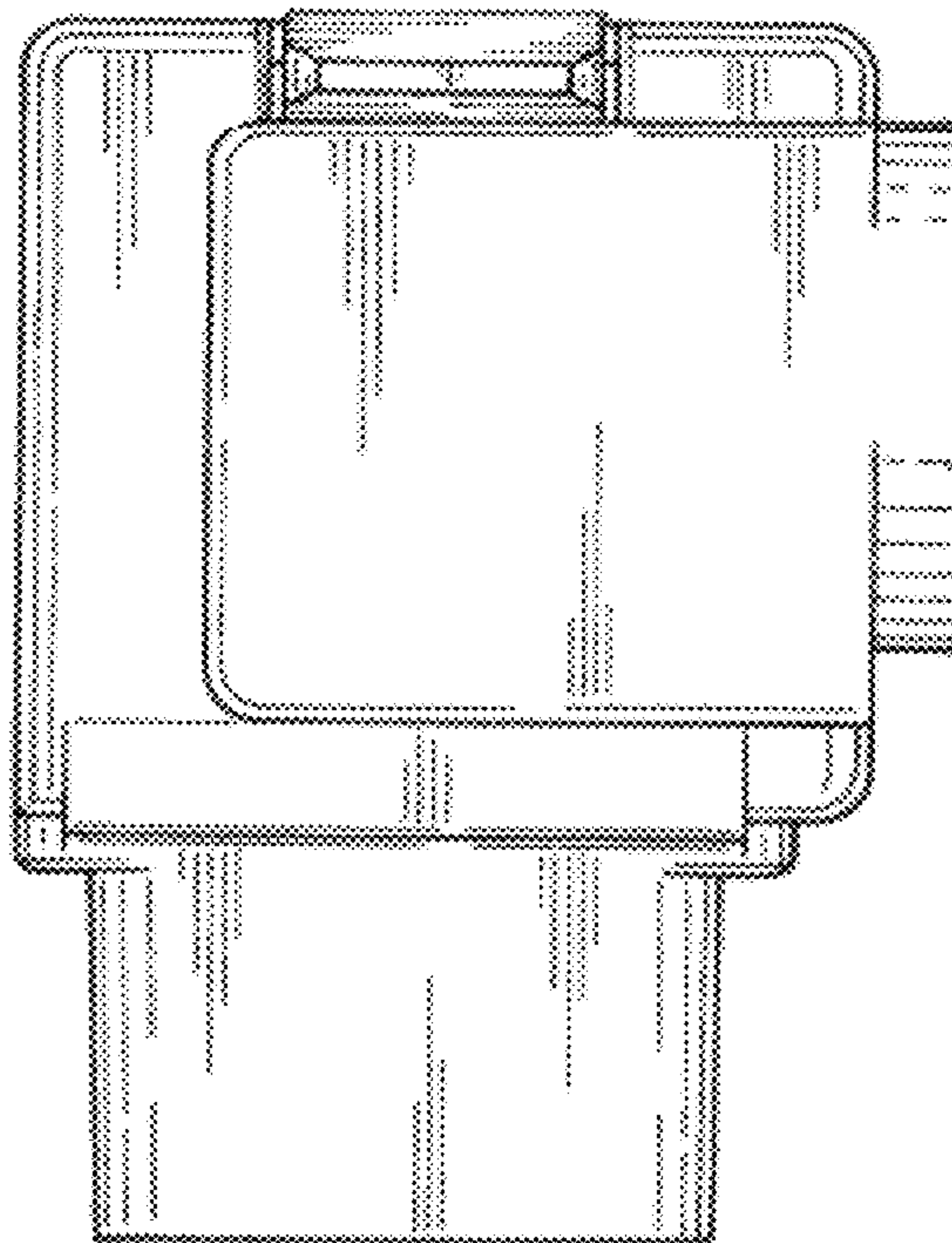


*Fig. 11*

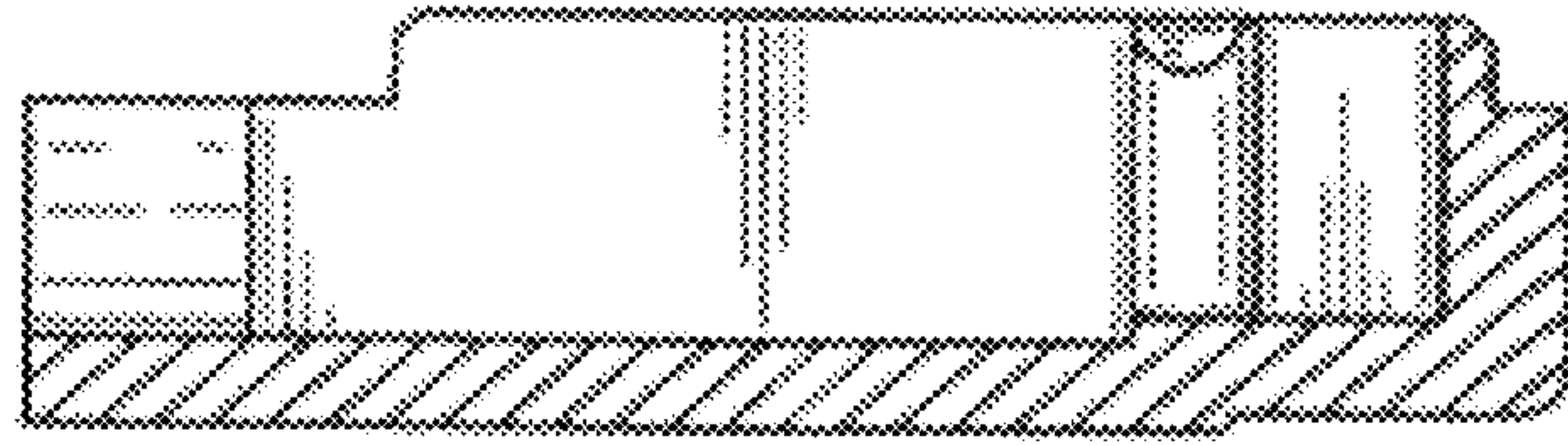




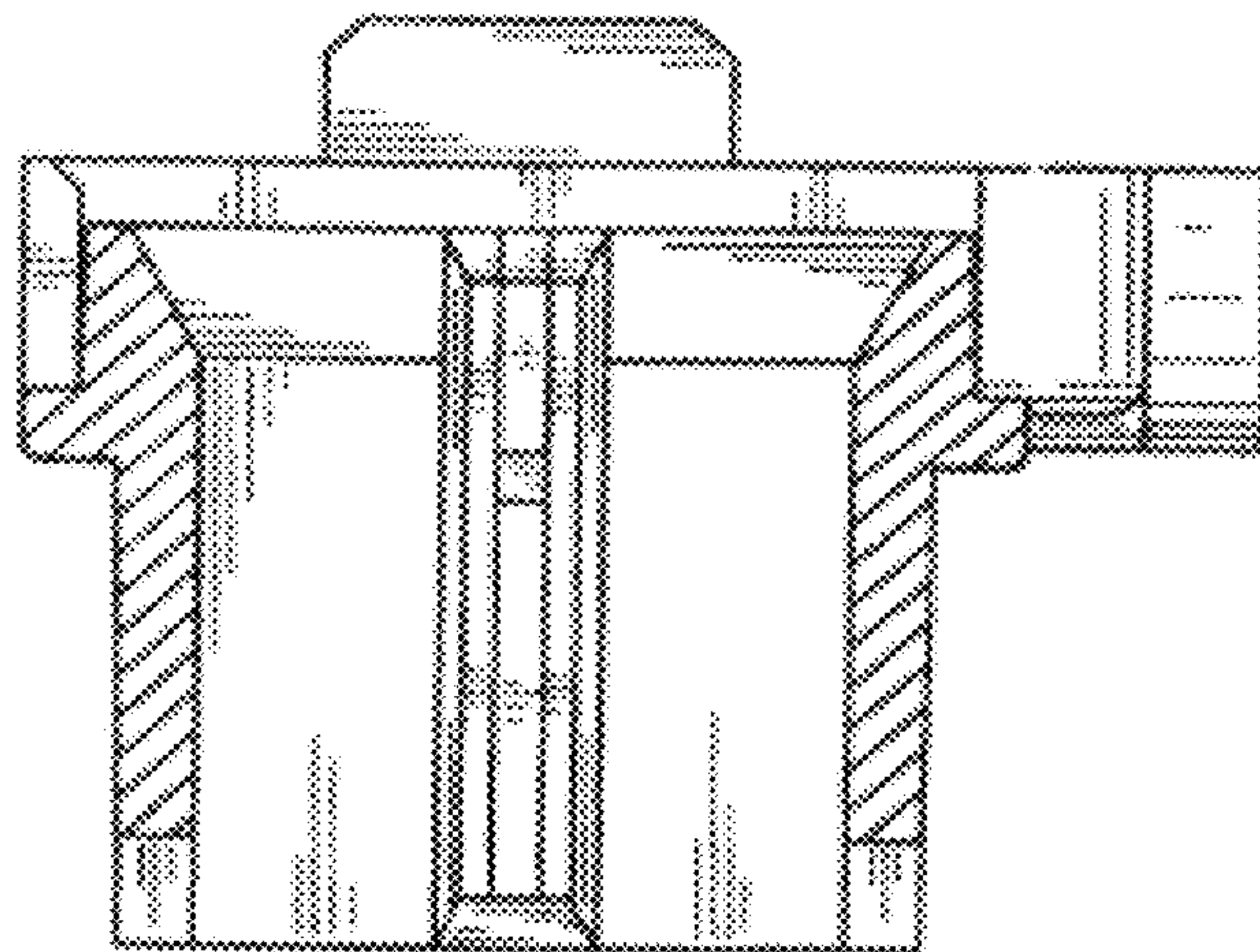
*Fig. 12*



*Fig. 13*

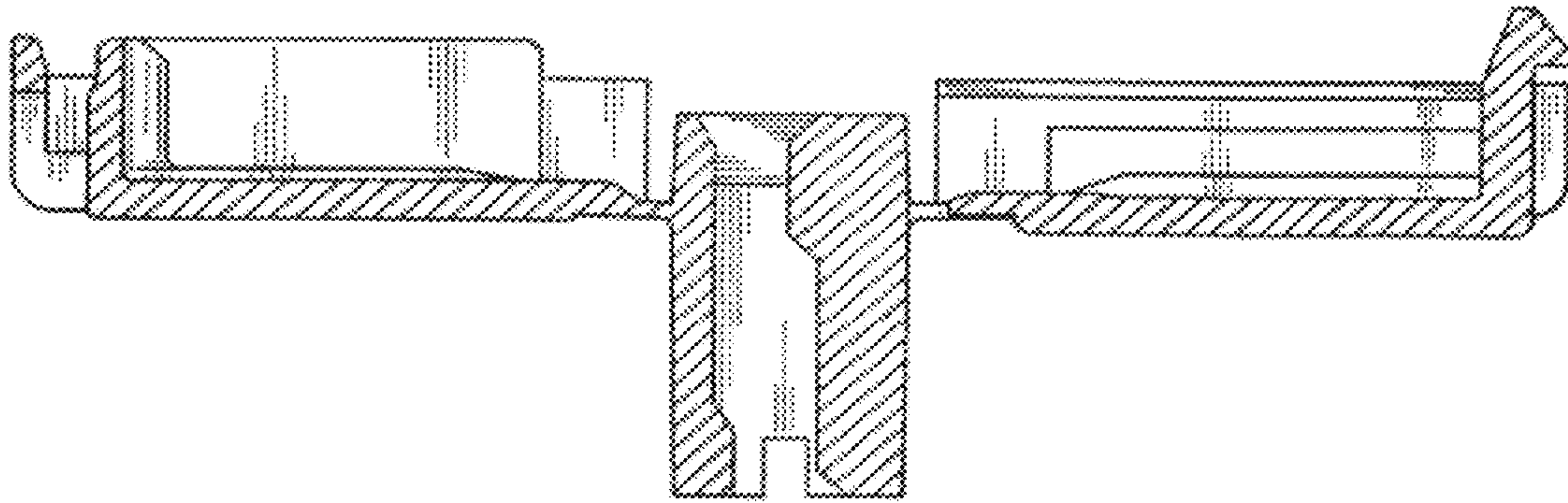


*Fig. 14*

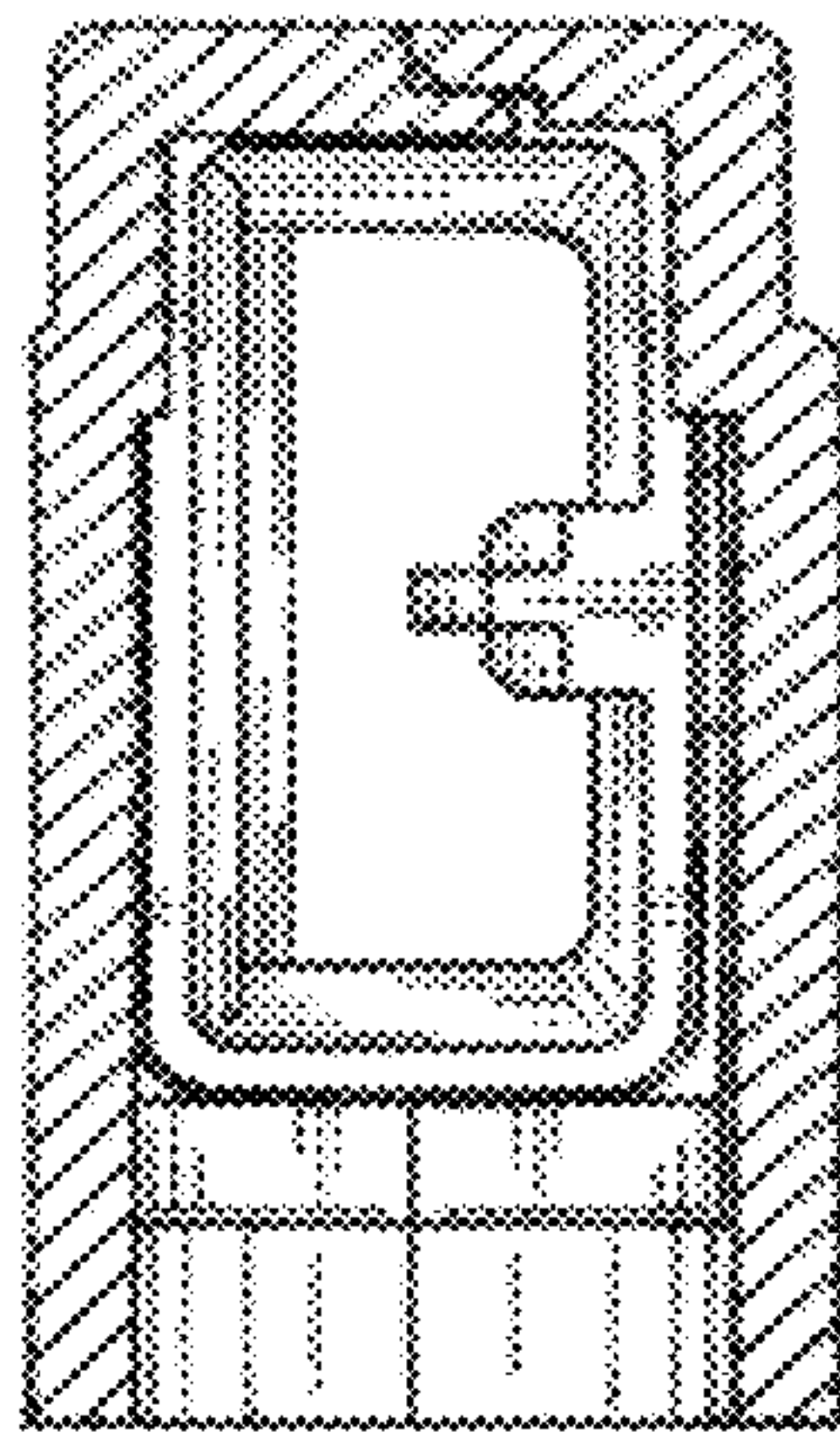


*Fig. 15*





*Fig. 16*



*Fig. 17*