



US00D675574S

(12) **United States Design Patent**  
**Farris-Gilbert et al.**

(10) **Patent No.:** **US D675,574 S**

(45) **Date of Patent:** **\*\* Feb. 5, 2013**

(54) **USB CABLE**

(75) Inventors: **Cezanne-Simon Farris-Gilbert**, Long Beach, CA (US); **Alan Chun-Ye Yeung**, Santa Ana, CA (US)

(73) Assignee: **Aviiq IP Inc**, Hong Kong (CN)

(\*\*) Term: **14 Years**

(21) Appl. No.: **29/410,384**

(22) Filed: **Jan. 6, 2012**

(51) **LOC (9) Cl.** ..... **13-03**

(52) **U.S. Cl.** ..... **D13/147**

(58) **Field of Classification Search** ..... D13/133,  
D13/146, 147, 154, 184, 199; 439/79, 248,  
439/258, 274, 350, 352, 353, 354, 357, 358,  
439/374, 447, 476.1, 594, 598, 607.01, 607.04,  
439/607.05, 607.17, 607.25, 607.34, 607.41,  
439/607.53, 656, 660, 668, 680, 711, 745,  
439/752

See application file for complete search history.

(56) **References Cited**

**U.S. PATENT DOCUMENTS**

6,664,758 B2 12/2003 Yang  
D531,118 S \* 10/2006 Krieger et al. .... D14/435.1  
7,224,086 B2 5/2007 Germagian et al.  
D552,552 S \* 10/2007 Chan ..... D13/147  
D556,752 S \* 12/2007 Otsuka ..... D14/480.5

D558,763 S \* 1/2008 Morganstern et al. .... D14/480.7  
D566,651 S \* 4/2008 Chan et al. .... D13/123  
7,544,089 B2 6/2009 Liu et al.  
7,614,892 B2 11/2009 Klant et al.  
2006/0288140 A1 12/2006 Lin  
2009/0102442 A1 4/2009 Lai  
2009/0113101 A1 4/2009 Liu et al.  
2009/0309542 A1 12/2009 Hung et al.  
2010/0067197 A1 3/2010 Guccione et al.

\* cited by examiner

*Primary Examiner* — Daniel Bui

(74) *Attorney, Agent, or Firm* — Seed IP Law Group PLLC

(57) **CLAIM**

The ornamental design for a USB cable, as shown and described.

**DESCRIPTION**

FIG. 1 is an isometric view of a USB cable, showing our new design.

FIG. 2 is a front elevational view thereof.

FIG. 3 is a rear elevational view thereof.

FIG. 4 is a left side elevational view thereof.

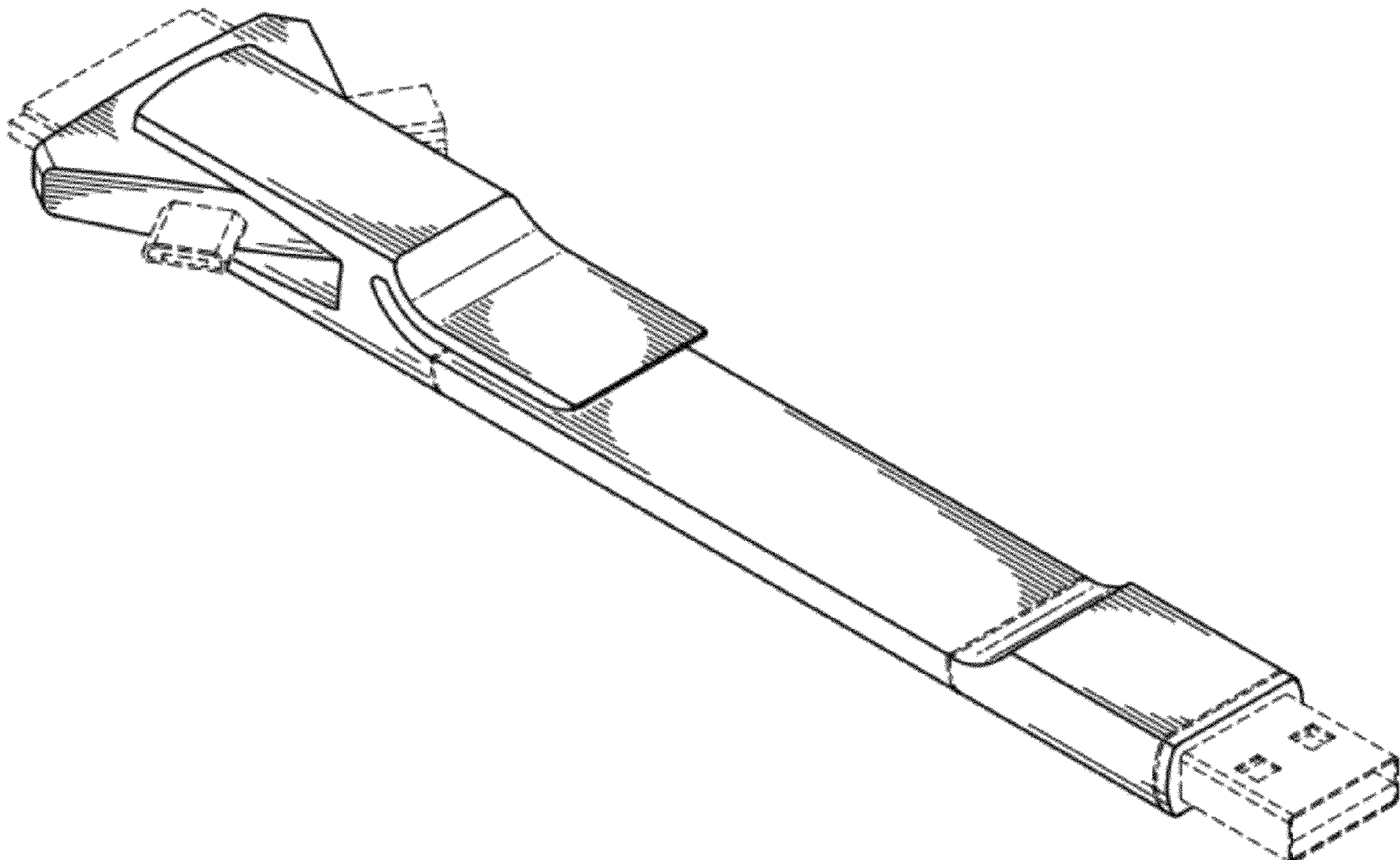
FIG. 5 is a right side elevational view thereof.

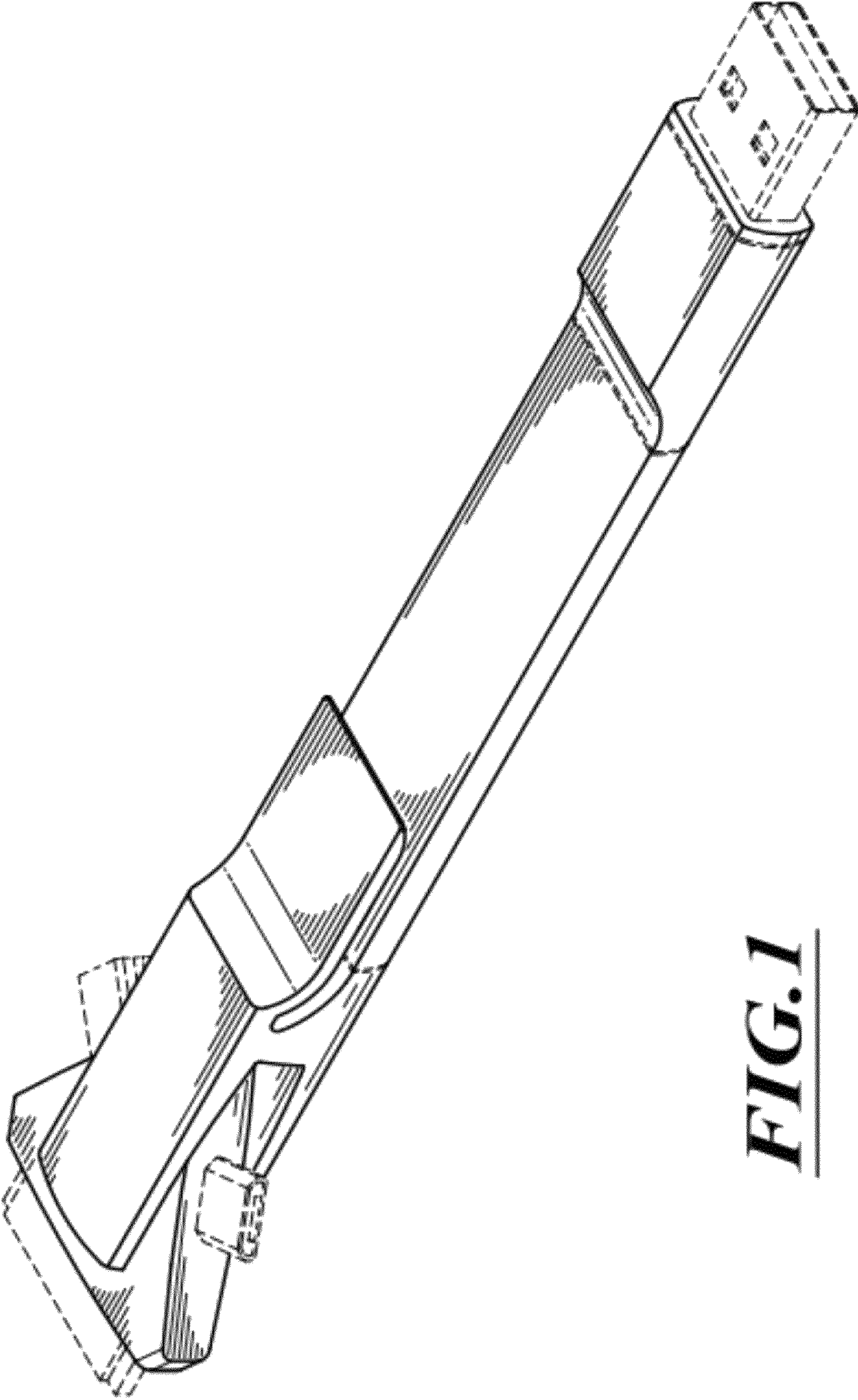
FIG. 6 is a top plan view thereof; and,

FIG. 7 is a bottom plan view thereof.

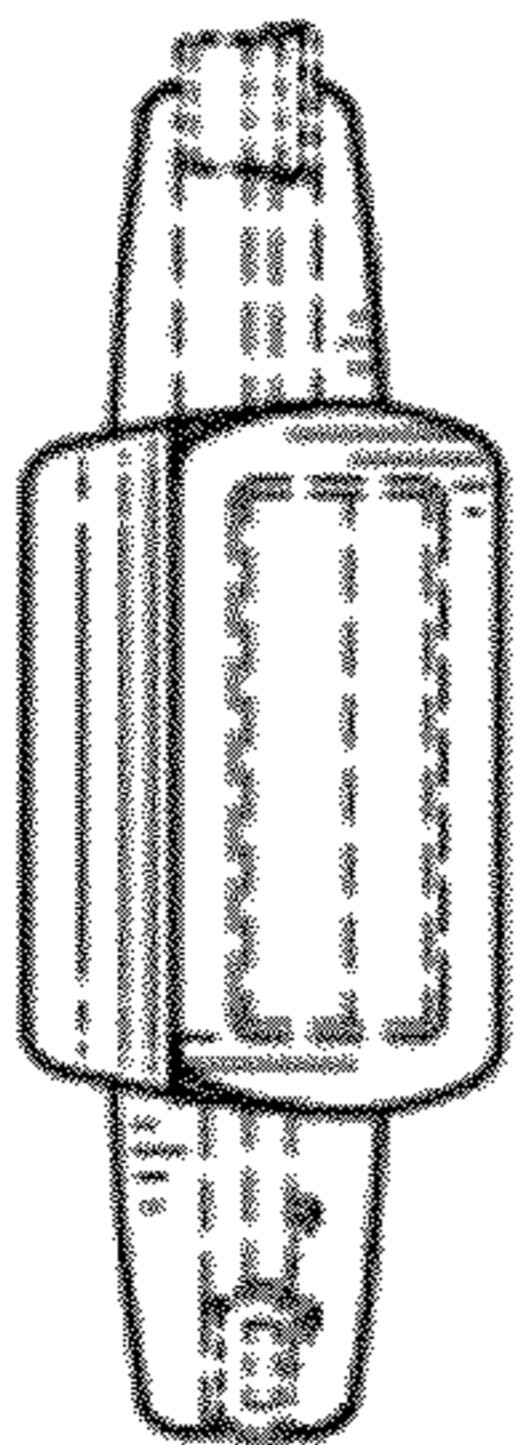
Shading lines shown in the drawings are intended to represent the approximate three-dimensional contour of the design, and are not intended to indicate surface decoration. The broken line portion of the figure drawings is included for the purpose of illustrating environment and forms no part of the claimed design.

**1 Claim, 3 Drawing Sheets**

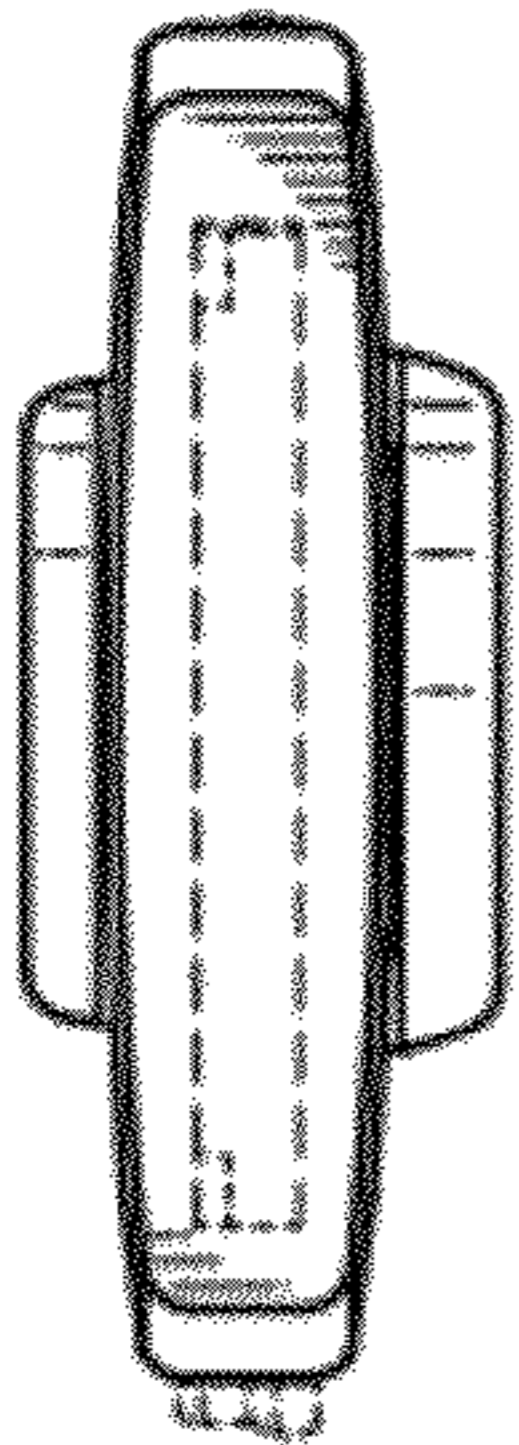




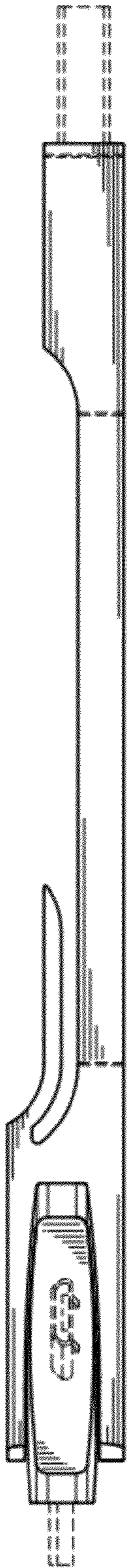
**FIG. 1**



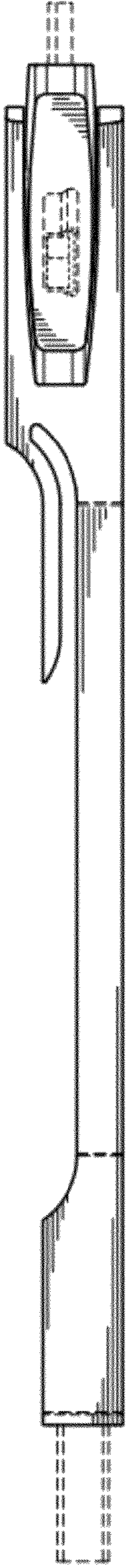
**FIG. 2**



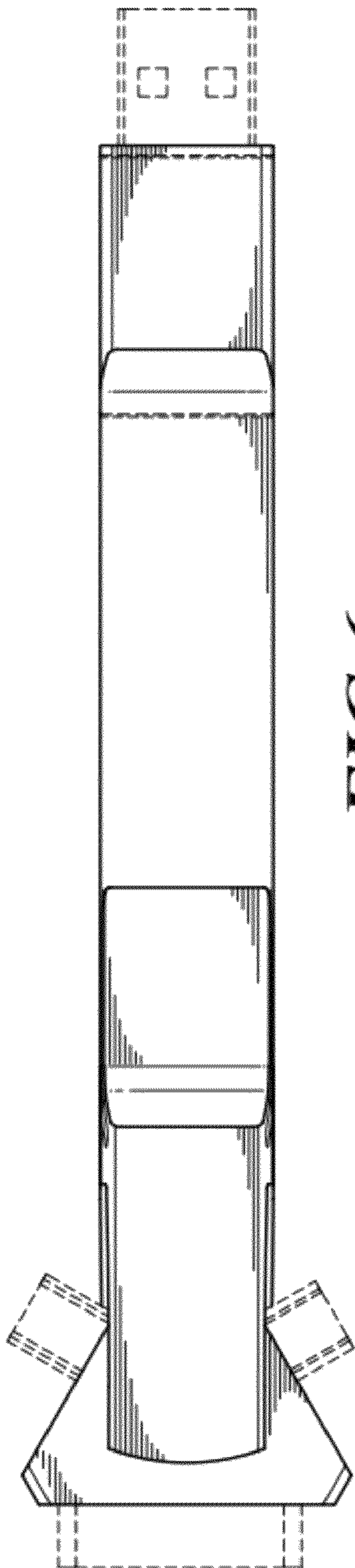
**FIG. 3**



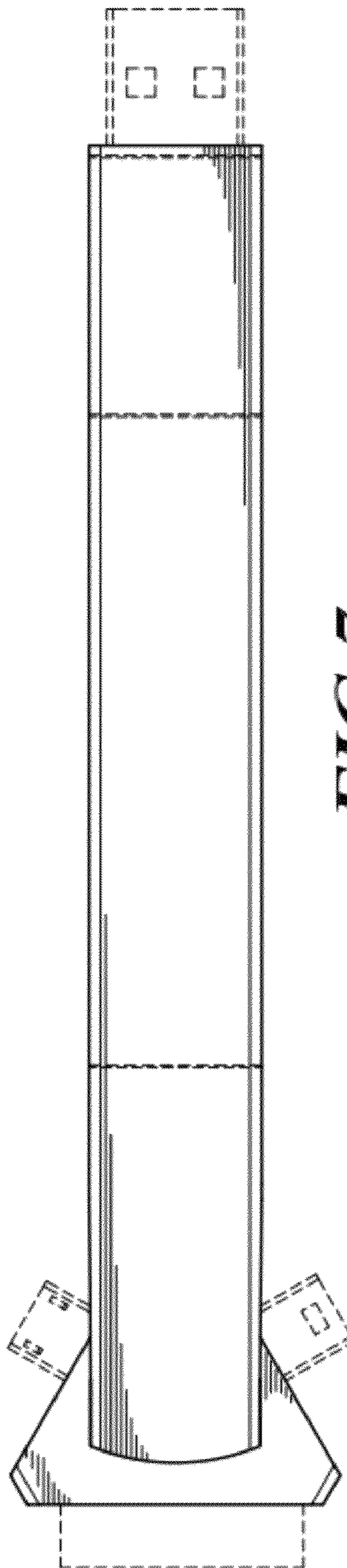
**FIG. 4**



**FIG. 5**



**FIG. 6**



**FIG. 7**