



US00D675573S

(12) **United States Design Patent**
Farris-Gilbert et al.

(10) **Patent No.:** **US D675,573 S**
(45) **Date of Patent:** **** Feb. 5, 2013**

(54) **USB CABLE**

(75) Inventors: **Cezanne-Simon Farris-Gilbert**, Long Beach, CA (US); **Alan Chun-Ye Yeung**, Santa Ana, CA (US)

(73) Assignee: **Aviiq IP Inc**, Hong Kong (CN)

(**) Term: **14 Years**

(21) Appl. No.: **29/409,876**

(22) Filed: **Dec. 29, 2011**

(51) **LOC (9) Cl.** **13-03**

(52) **U.S. Cl.** **D13/147**

(58) **Field of Classification Search** D13/133,
D13/146, 147, 154, 184, 199; 439/79, 248,
439/258, 274, 350, 352, 353, 354, 357, 358,
439/374, 447, 476.1, 594, 598, 607.01, 607.04,
439/607.05, 607.17, 607.25, 607.34, 607.41,
439/607.53, 656, 660, 668, 680, 711, 745,
439/752

See application file for complete search history.

(56) **References Cited**

U.S. PATENT DOCUMENTS

6,522,534 B1 2/2003 Wu
6,733,329 B2 5/2004 Yang
6,932,276 B1 8/2005 Liu
7,029,193 B1 4/2006 Chao

D531,118 S * 10/2006 Krieger et al. D14/435.1
D552,552 S * 10/2007 Chan D13/147
D556,752 S * 12/2007 Otsuka D14/480.5
D558,763 S * 1/2008 Morganstern et al. D14/480.7
D566,651 S * 4/2008 Chan et al. D13/123
2004/0042735 A1 3/2004 Ma
2004/0233629 A1 11/2004 Wang et al.
2005/0083315 A1 4/2005 Pei
2006/0226225 A1 10/2006 Hsiao et al.
2007/0231053 A1 10/2007 Chan

* cited by examiner

Primary Examiner — Daniel Bui

(74) *Attorney, Agent, or Firm* — Seed IP Law Group PLLC

(57) **CLAIM**

The ornamental design for a USB cable, as shown and described.

DESCRIPTION

FIG. 1 is an isometric view of a USB cable, showing our new design.

FIG. 2 is a front elevational view thereof.

FIG. 3 is a rear elevational view thereof.

FIG. 4 is a right side elevational view thereof.

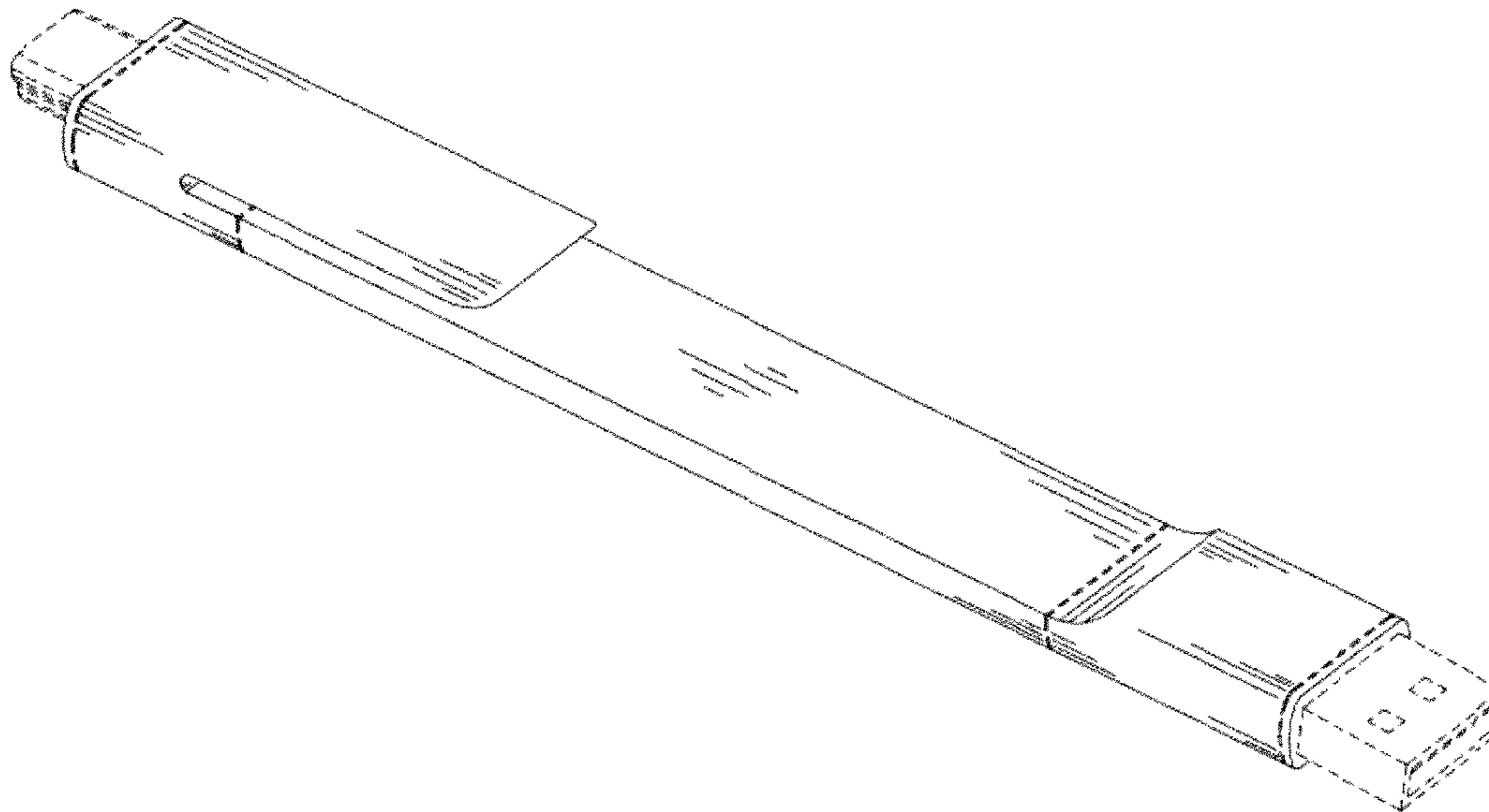
FIG. 5 is a left side elevational view thereof.

FIG. 6 is a top plan view thereof; and,

FIG. 7 is a bottom plan view thereof.

The broken line portion of the figure drawings is included for the purpose of illustrating environment and forms no part of the claimed design.

1 Claim, 4 Drawing Sheets



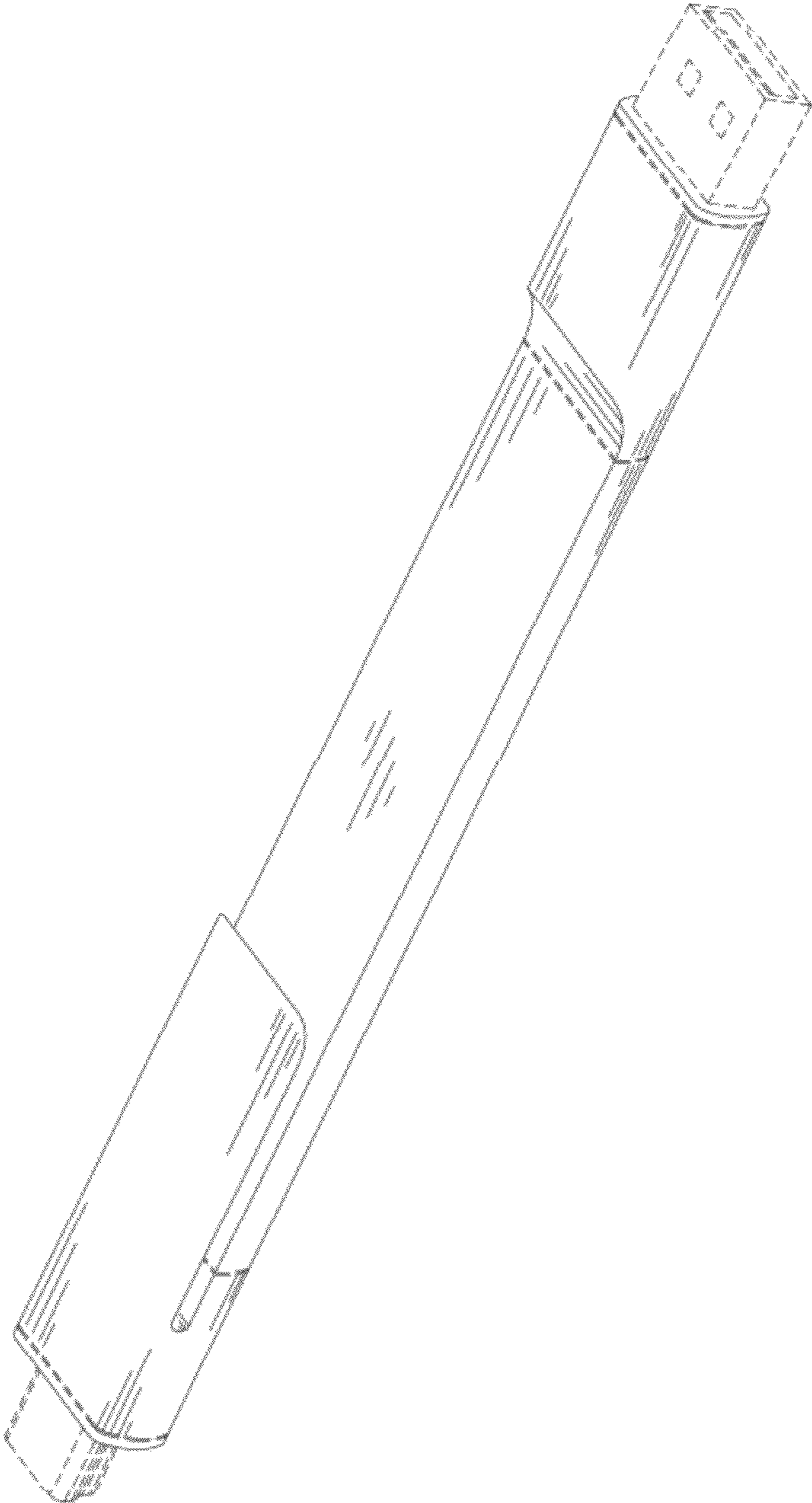


FIG. 1

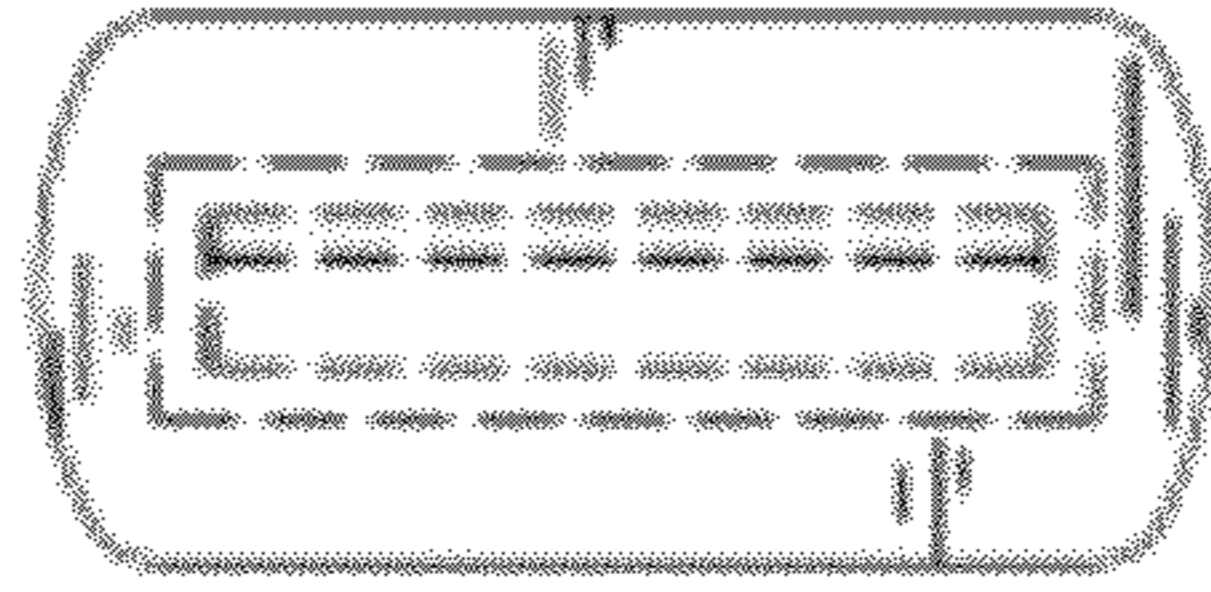


FIG. 2

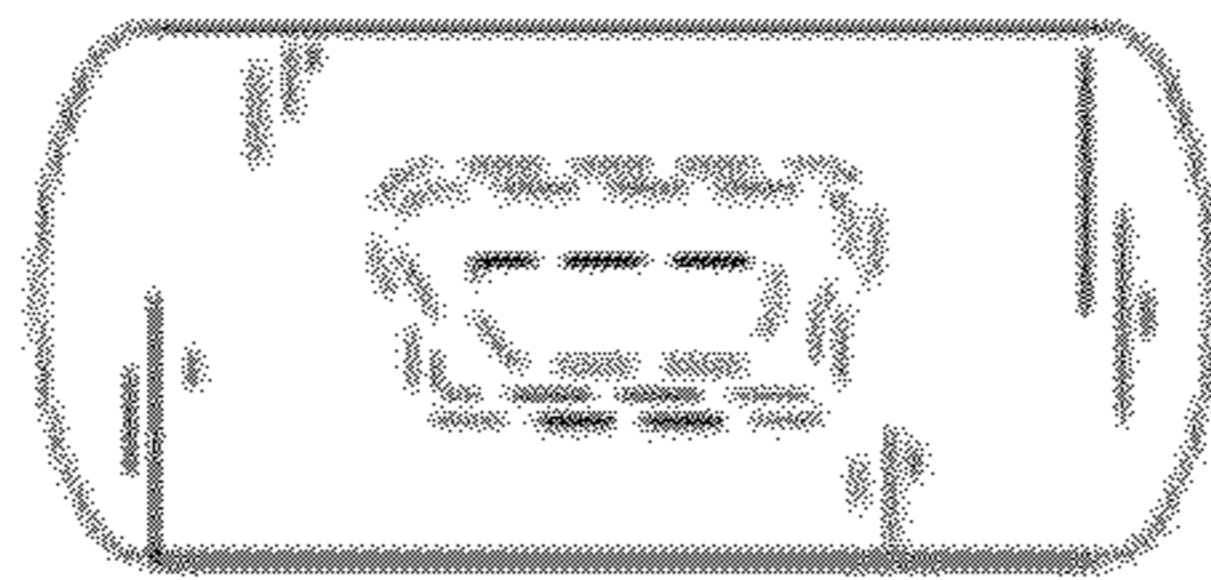


FIG. 3

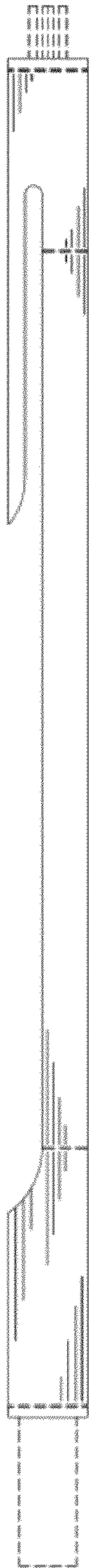


FIG. 4

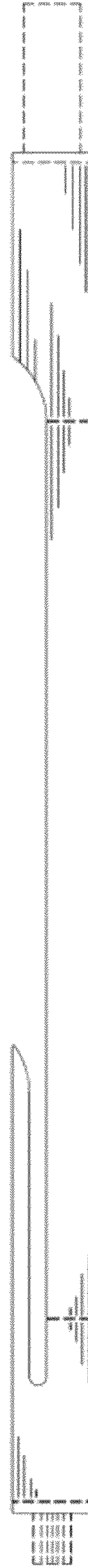


FIG. 5

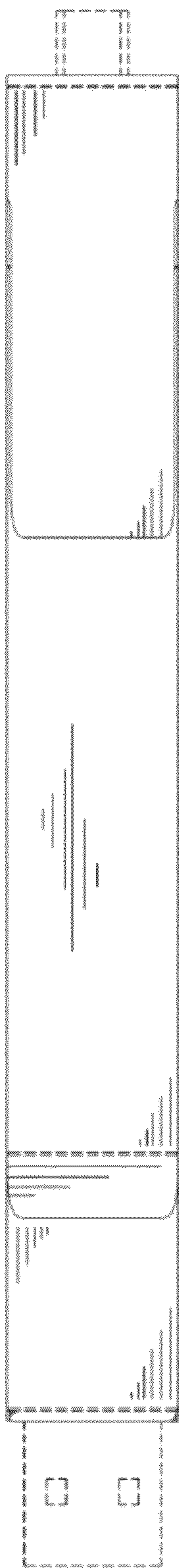


FIG. 6

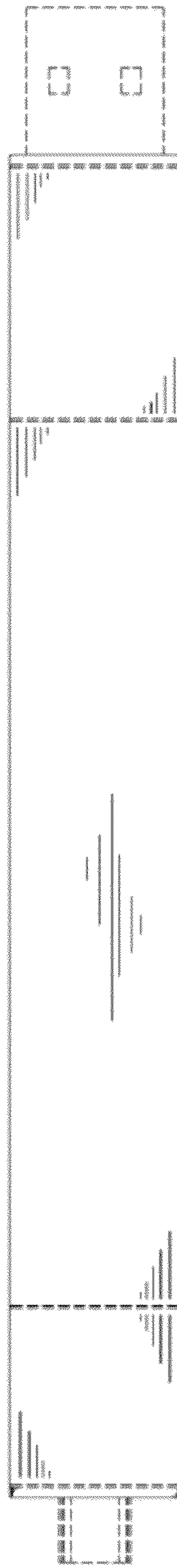


FIG. 7

UNITED STATES PATENT AND TRADEMARK OFFICE
CERTIFICATE OF CORRECTION

PATENT NO. : D675,573 S
APPLICATION NO. : 29/409876
DATED : February 5, 2013
INVENTOR(S) : Cezanne-Simon Farris-Gilbert et al.

Page 1 of 1

It is certified that error appears in the above-identified patent and that said Letters Patent is hereby corrected as shown below:

On the Title Page:

Description, Line 9 should read:

“The broken line portion of the figure drawings is included for” should read, --Shading lines shown in the drawings are intended to represent the approximate three-dimensional contour of the design, and are not intended to indicate surface decoration. The broken line portion of the figure drawings is included for--.

Signed and Sealed this
Second Day of July, 2013



Teresa Stanek Rea
Acting Director of the United States Patent and Trademark Office