



US00D675572S

(12) **United States Design Patent**
Arai et al.

(10) **Patent No.:** **US D675,572 S**
(45) **Date of Patent:** **** Feb. 5, 2013**

- (54) **ELECTRICAL CONNECTOR**
- (75) Inventors: **Junichi Arai**, Isesaki (JP); **Takao Asano**, Isesaki (JP)
- (73) Assignee: **Hosiden Corporation**, Yao-shi (JP)
- (**) Term: **14 Years**
- (21) Appl. No.: **29/397,033**
- (22) Filed: **Jul. 11, 2011**
- (30) **Foreign Application Priority Data**

Jan. 13, 2011 (JP) 2011-000521

- (51) **LOC (9) Cl.** **13-03**
- (52) **U.S. Cl.** **D13/147**
- (58) **Field of Classification Search** D13/133,
D13/146, 147, 154, 184, 199; 439/79, 248,
439/258, 274, 350, 352, 353, 354, 357, 358,
439/374, 447, 476.1, 594, 598, 607.01, 607.04,
439/607.05, 607.17, 607.25, 607.34, 607.41,
439/607.53, 656, 660, 668, 680, 711, 745,
439/752

See application file for complete search history.

(56) **References Cited**

U.S. PATENT DOCUMENTS

- D543,156 S * 5/2007 Suckle D13/154
- D553,567 S * 10/2007 Kawanobe D13/133

- D563,899 S * 3/2008 Goetz et al. D13/154
- D599,298 S * 9/2009 Kondo D13/147
- D601,502 S * 10/2009 Miyatake et al. D13/133
- D602,440 S * 10/2009 Wu et al. D13/147
- D641,323 S * 7/2011 Kondo et al. D13/147
- D644,611 S * 9/2011 Sasaki et al. D13/147

* cited by examiner

Primary Examiner — Daniel Bui

(74) *Attorney, Agent, or Firm* — Rankin, Hill & Clark LLP

(57) **CLAIM**

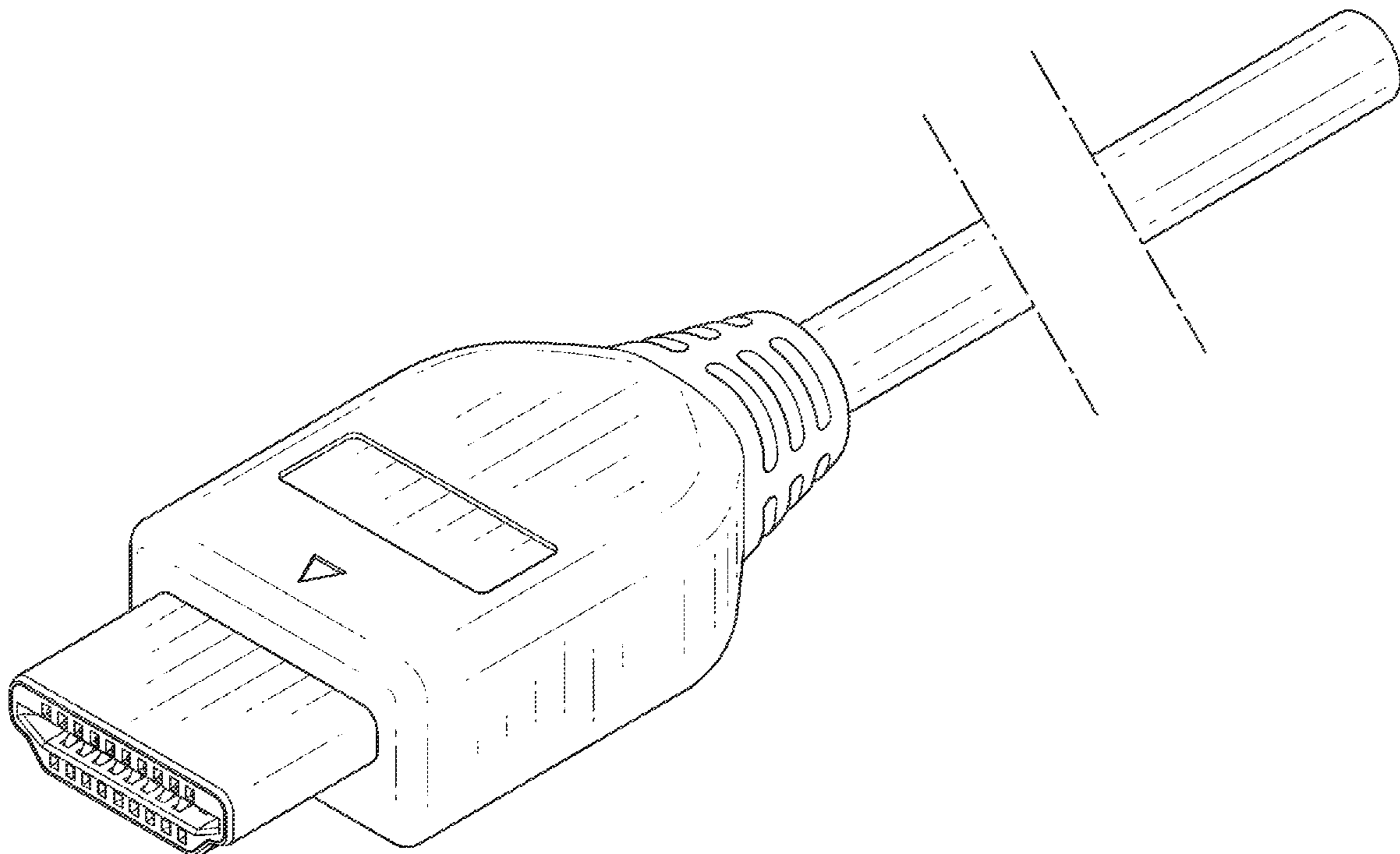
The ornamental design for an electrical connector, as shown and described.

DESCRIPTION

FIG. 1 is a front, left side and top perspective view of an electrical connector showing our new design;
 FIG. 2 is a front, left side and bottom perspective view thereof;
 FIG. 3 is a front elevation view thereof, a rear elevation view being a mirror image thereof;
 FIG. 4 is a left side view thereof;
 FIG. 5 is a right side view thereof;
 FIG. 6 is a top plan view thereof; and,
 FIG. 7 is a bottom plan view thereof.

The broken line portion in the figure drawings is included to show unclaimed environment and forms no part of the claimed design.

1 Claim, 5 Drawing Sheets



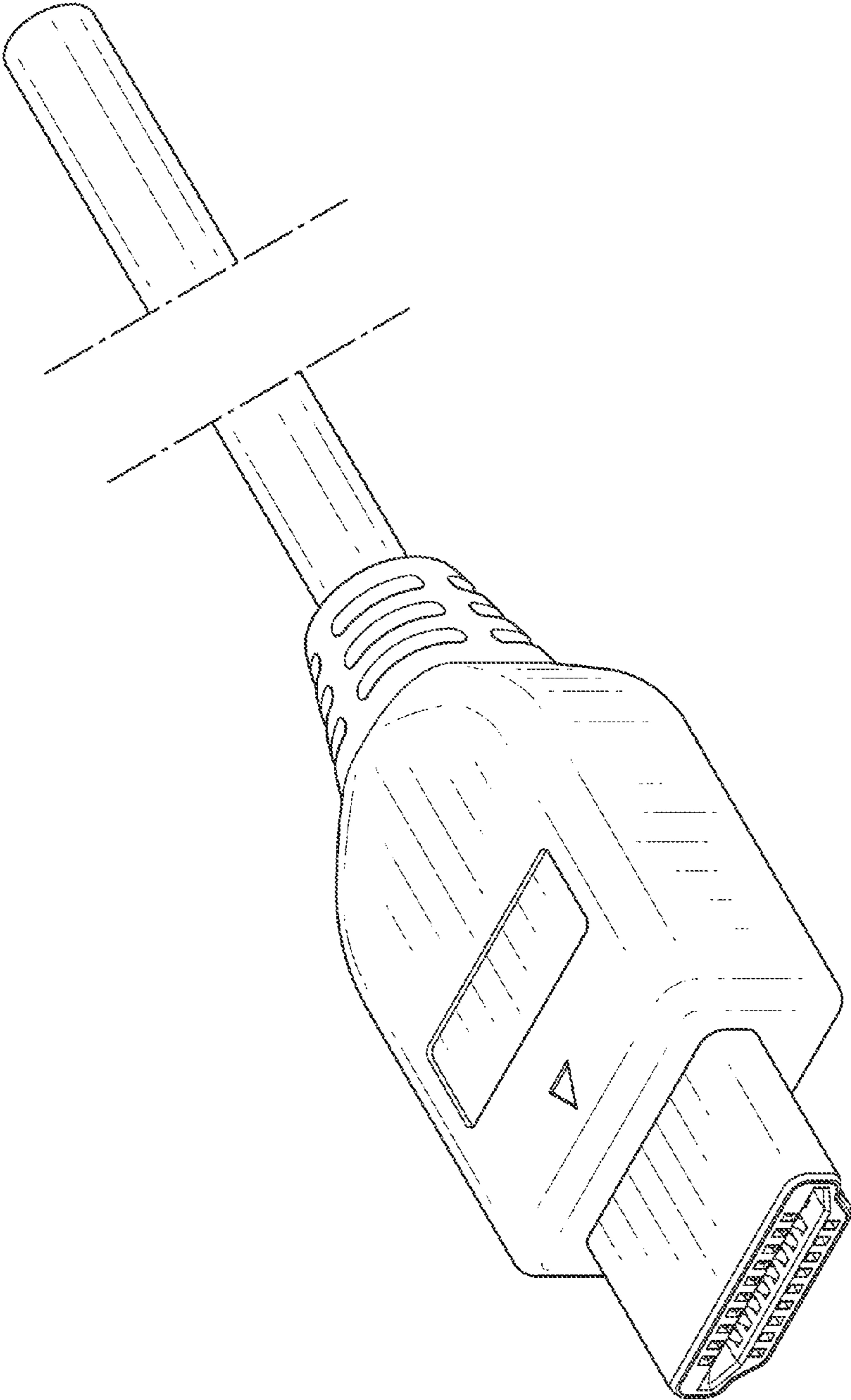


Fig. 1

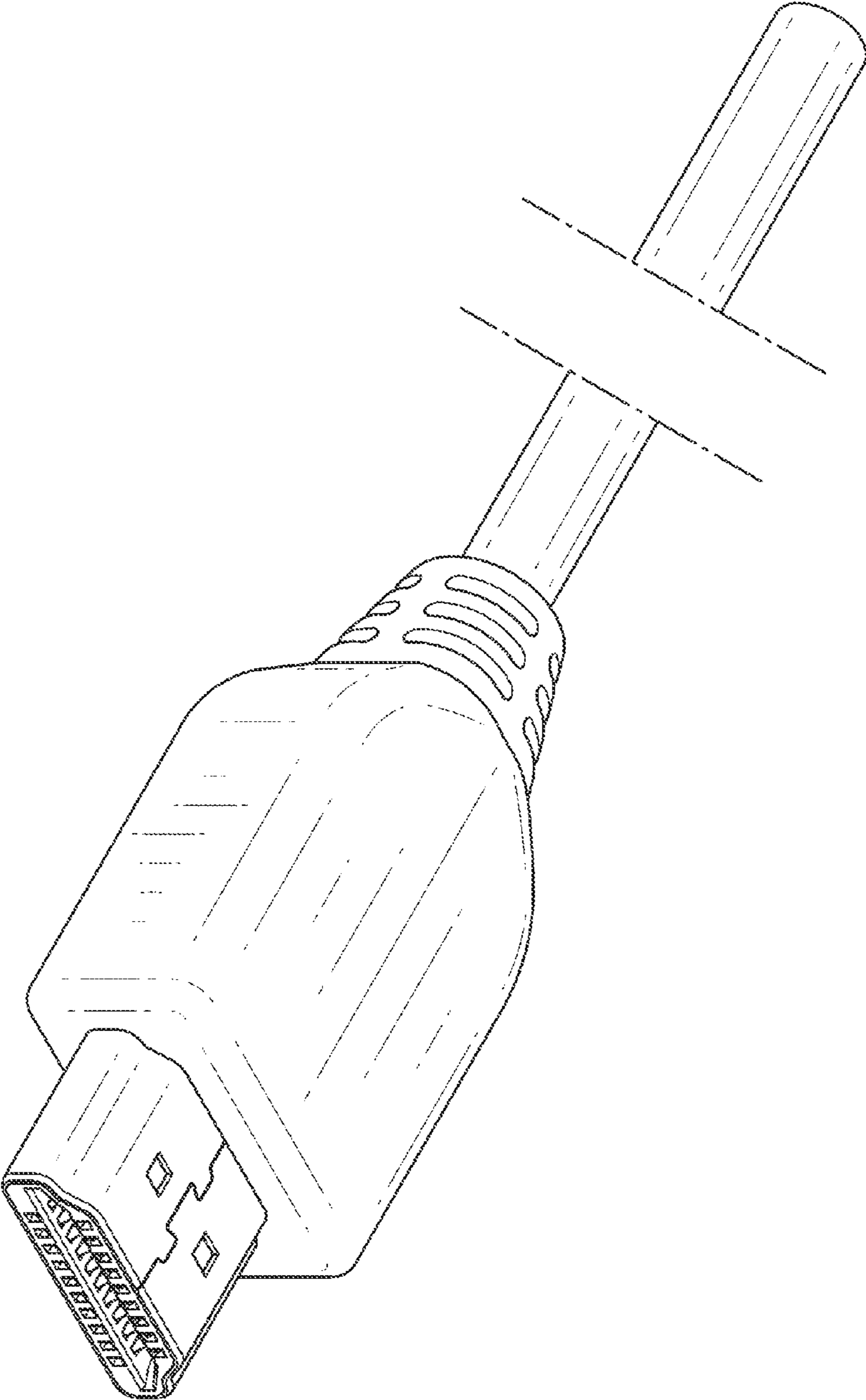


Fig. 2

Fig. 3

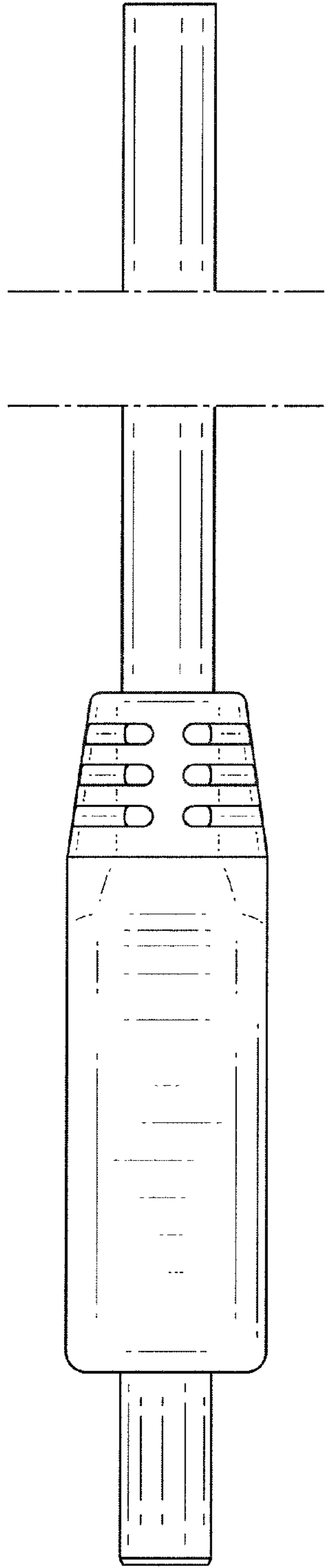


Fig. 4

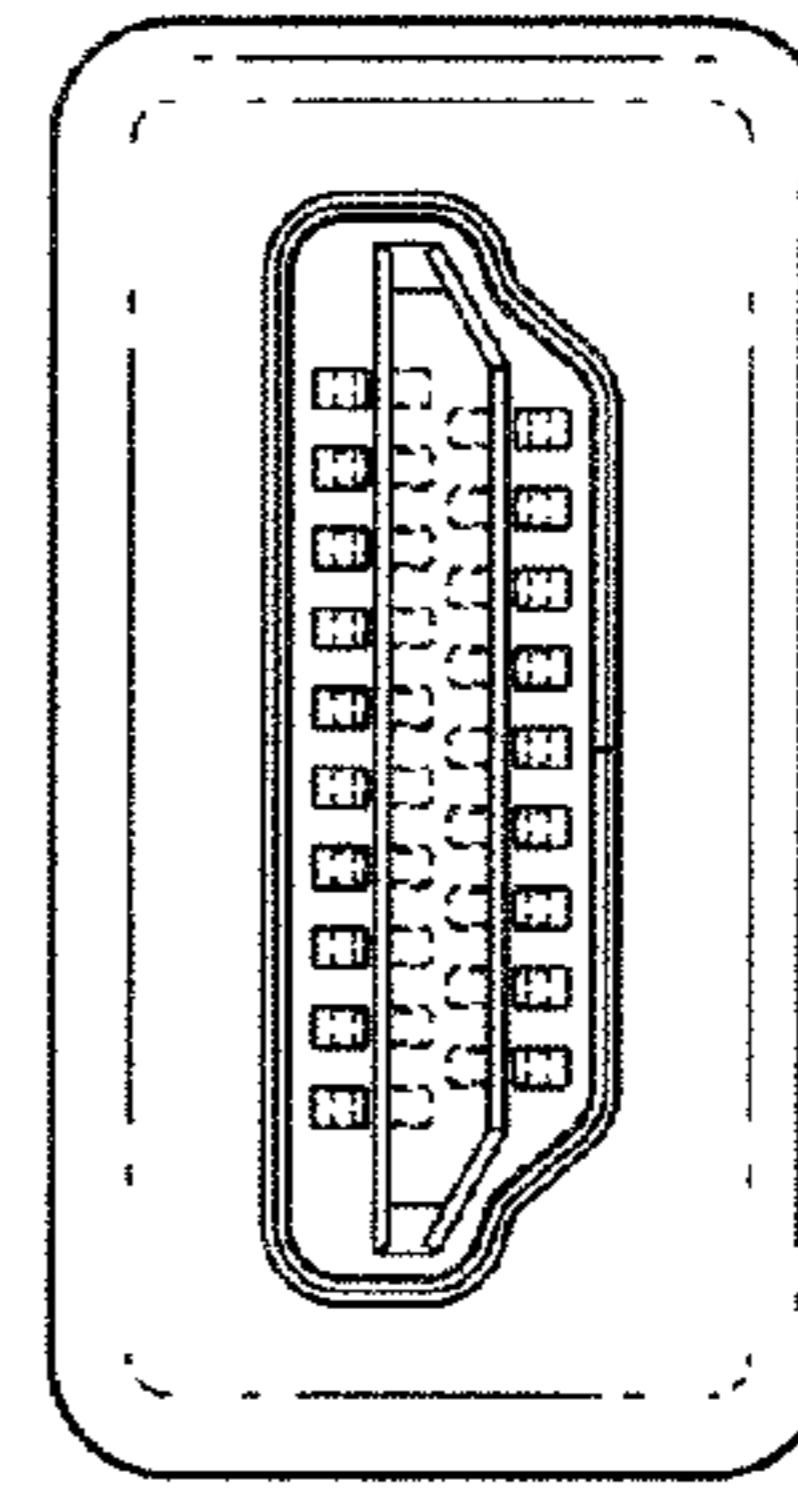
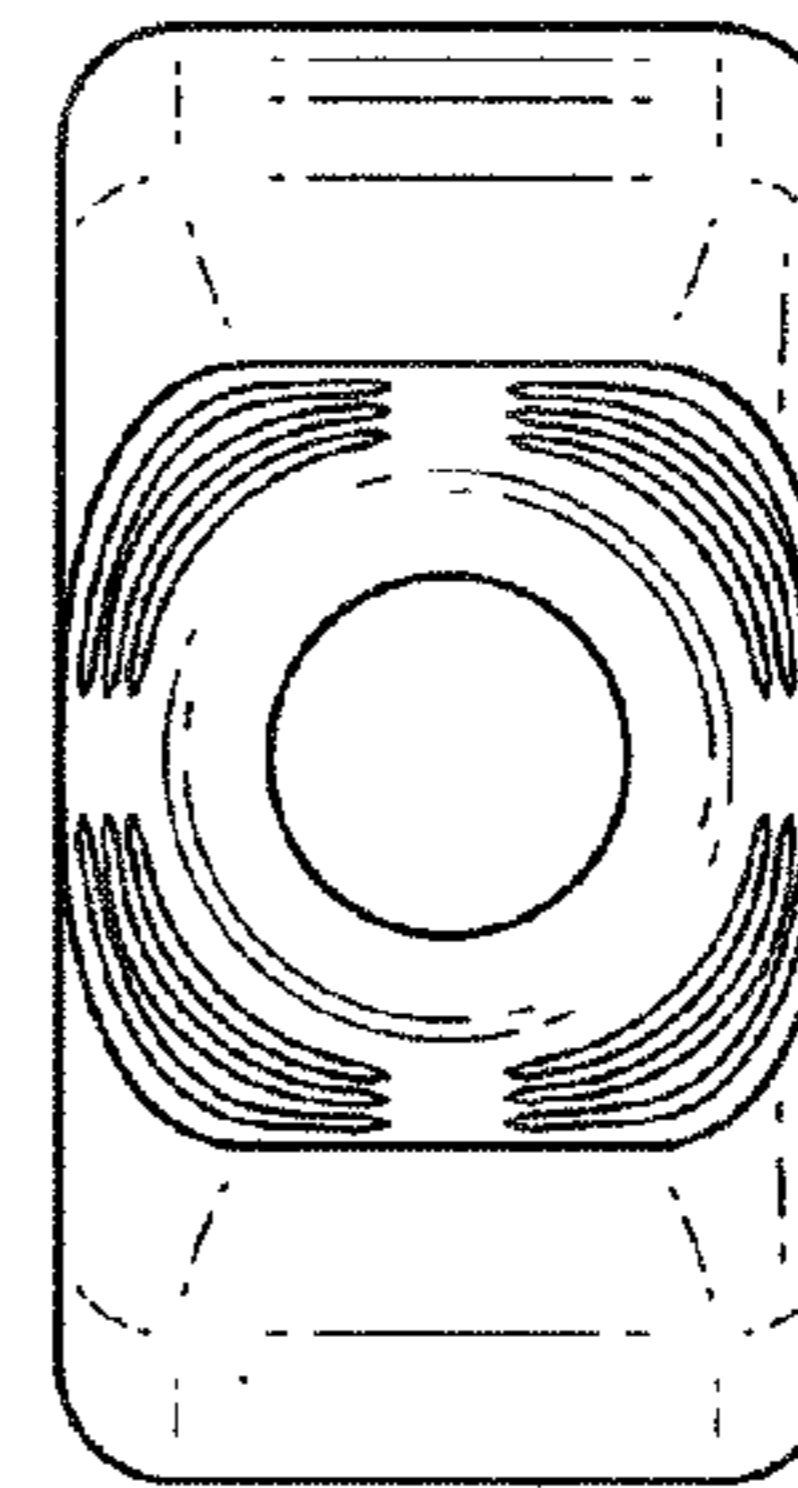


Fig. 5



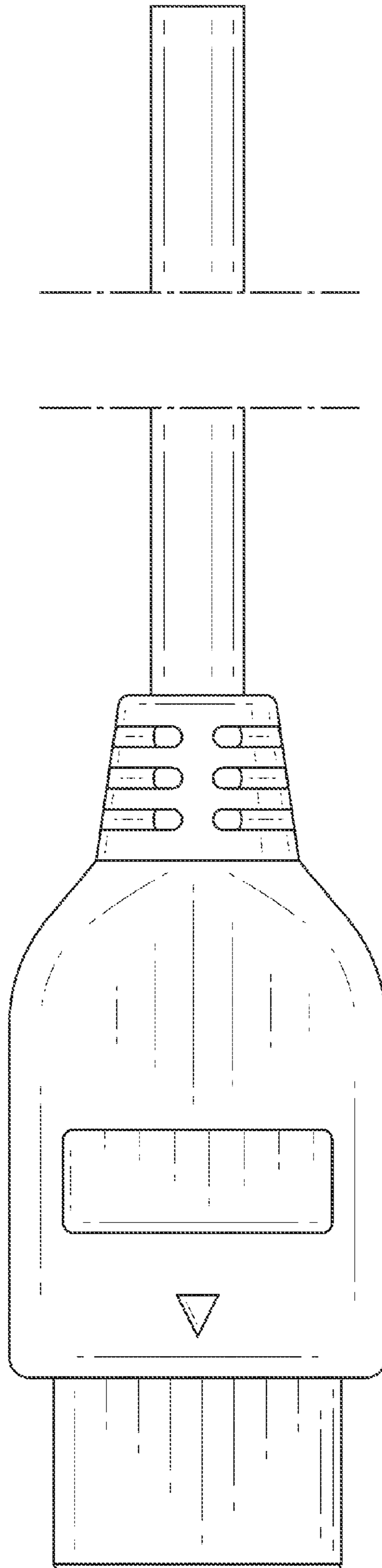


Fig. 6

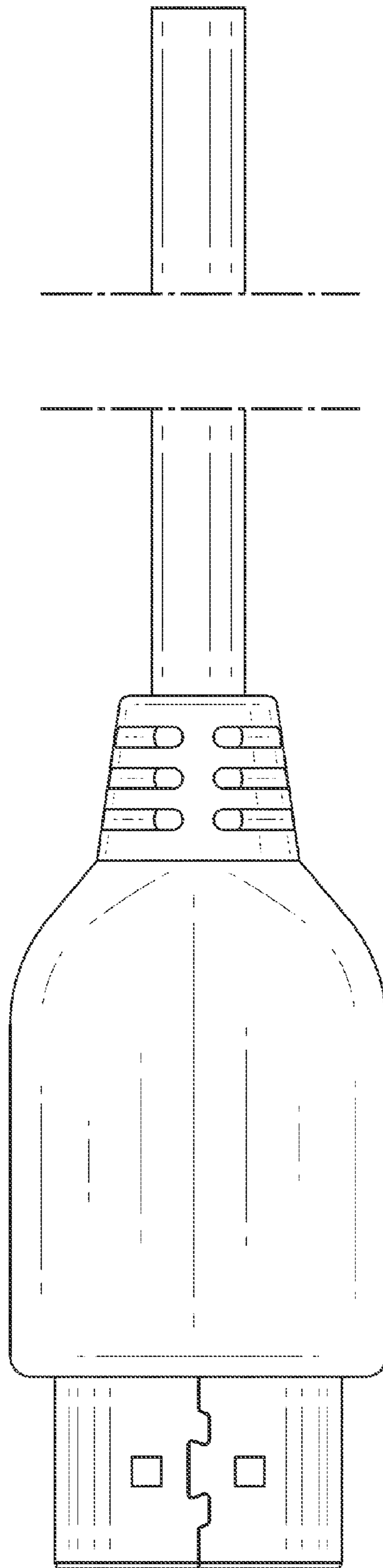


Fig. 7