



US00D675571S

(12) **United States Design Patent**
Suzuki

(10) **Patent No.:** **US D675,571 S**

(45) **Date of Patent:** **** Feb. 5, 2013**

(54) **SIGNAL CONVERTER**

(75) Inventor: **Toshihide Suzuki**, Hamamatsu (JP)

(73) Assignee: **Yamaha Corporation**, Shizuoka (JP)

(**) Term: **14 Years**

(21) Appl. No.: **29/396,030**

(22) Filed: **Jun. 24, 2011**

(30) **Foreign Application Priority Data**

Dec. 24, 2010 (JP) 2010-030793

(51) **LOC (9) Cl.** **13-03**

(52) **U.S. Cl.** **D13/147**

(58) **Field of Classification Search** D13/133,
D13/146, 147, 153, 154, 184, 199; 439/79,
439/248, 258, 274, 350, 352, 353, 354, 357,
439/358, 374, 447, 476.1, 594, 598, 607.01,
439/607.04, 607.05, 607.17, 607.25, 607.34,
439/607.41, 607.53, 656, 660, 668, 680,
439/711, 745, 752

See application file for complete search history.

(56) **References Cited**

U.S. PATENT DOCUMENTS

D449,275	S	*	10/2001	Goto	D13/147
D515,511	S	*	2/2006	Nishio et al.	D13/147
D586,753	S	*	2/2009	Diamond et al.	D13/147
D593,954	S	*	6/2009	Lee et al.	D13/154
D636,337	S	*	4/2011	Smith et al.	D13/147

* cited by examiner

Primary Examiner — Daniel Bui

(74) *Attorney, Agent, or Firm* — Sughrue Mion, PLLC

(57) **CLAIM**

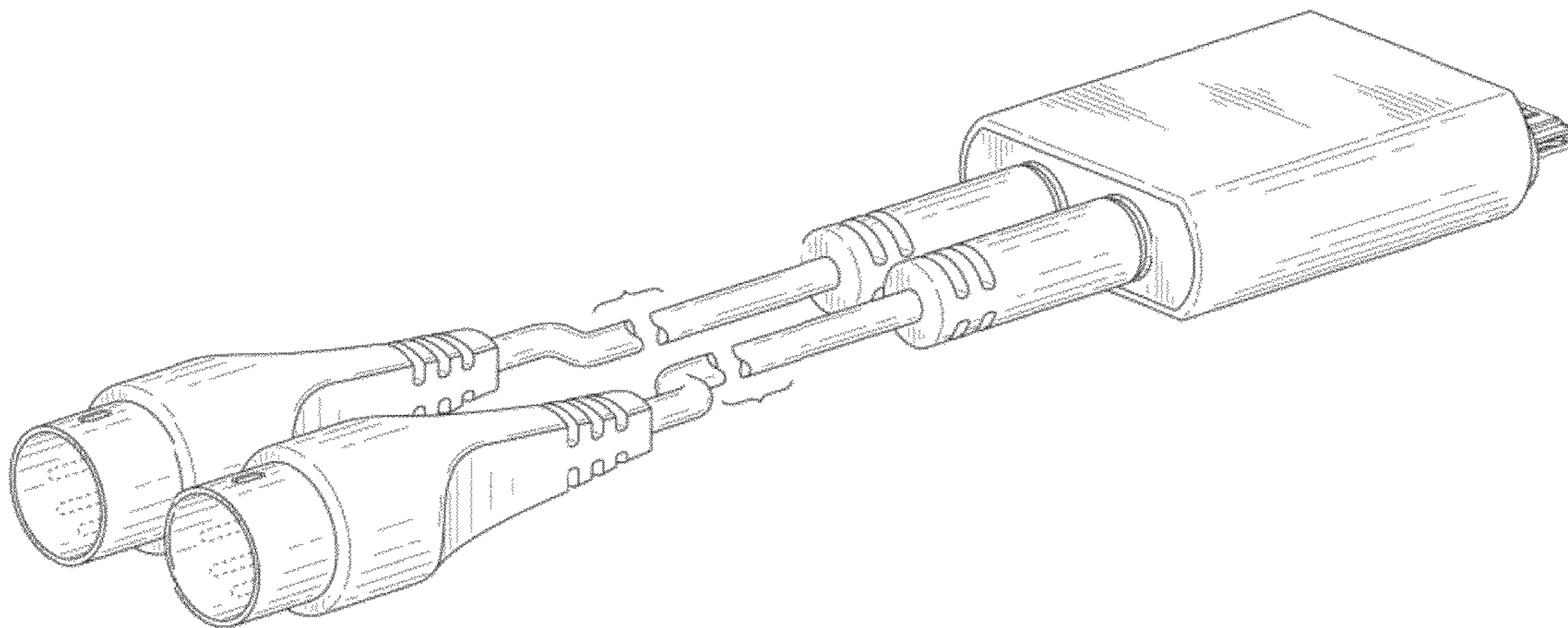
The ornamental design for a signal converter, as shown and described.

DESCRIPTION

FIG. 1 is a perspective view of the front, top and left side of a signal converter showing my new design;
FIG. 2 is a front view thereof;
FIG. 3 is a rear view thereof;
FIG. 4 is a left side view thereof;
FIG. 5 is a right side view thereof;
FIG. 6 is a top view thereof; and,
FIG. 7 is a bottom view thereof.

The broken line portion in the figure drawings is included to show unclaimed environment and forms no part of the claimed design.

1 Claim, 3 Drawing Sheets



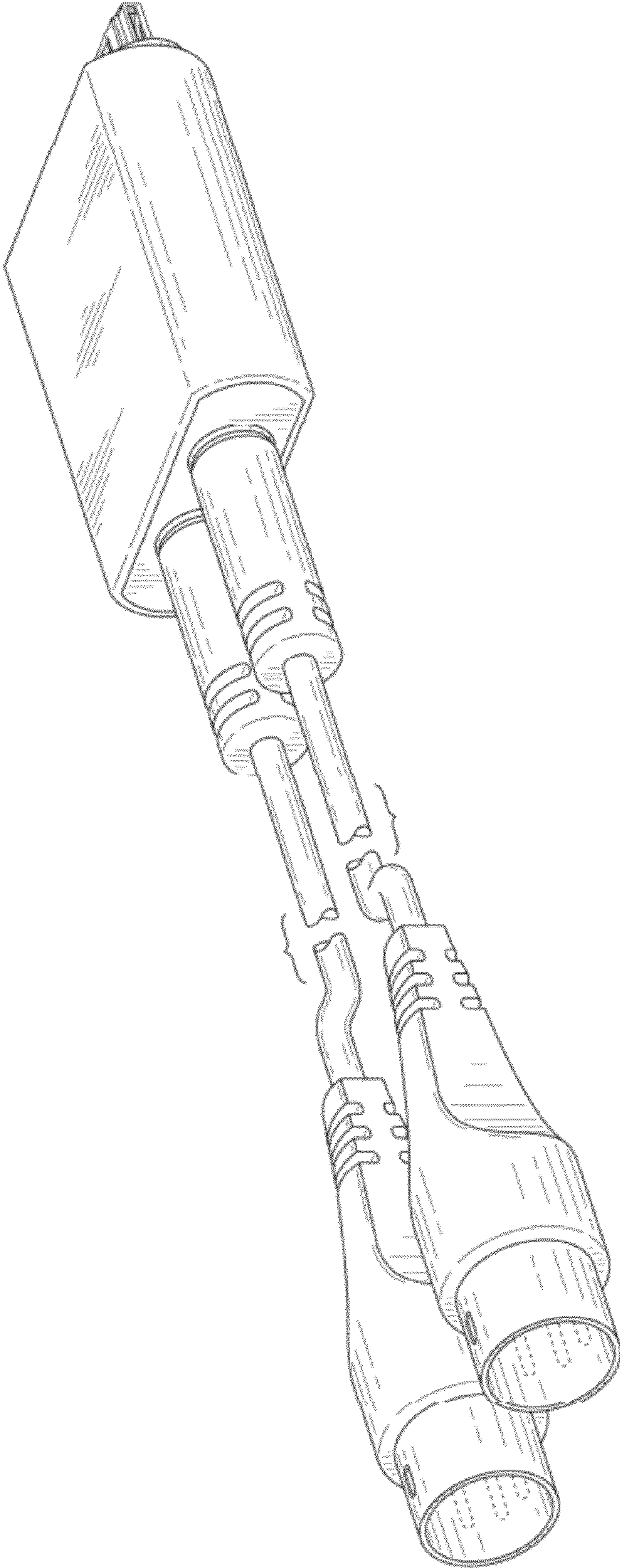


FIG. 1

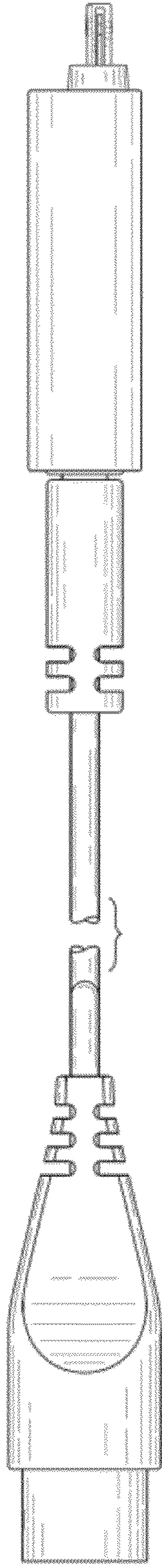


FIG. 2

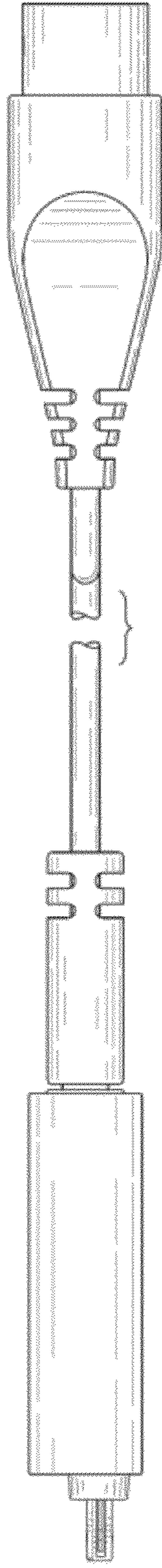


FIG. 3

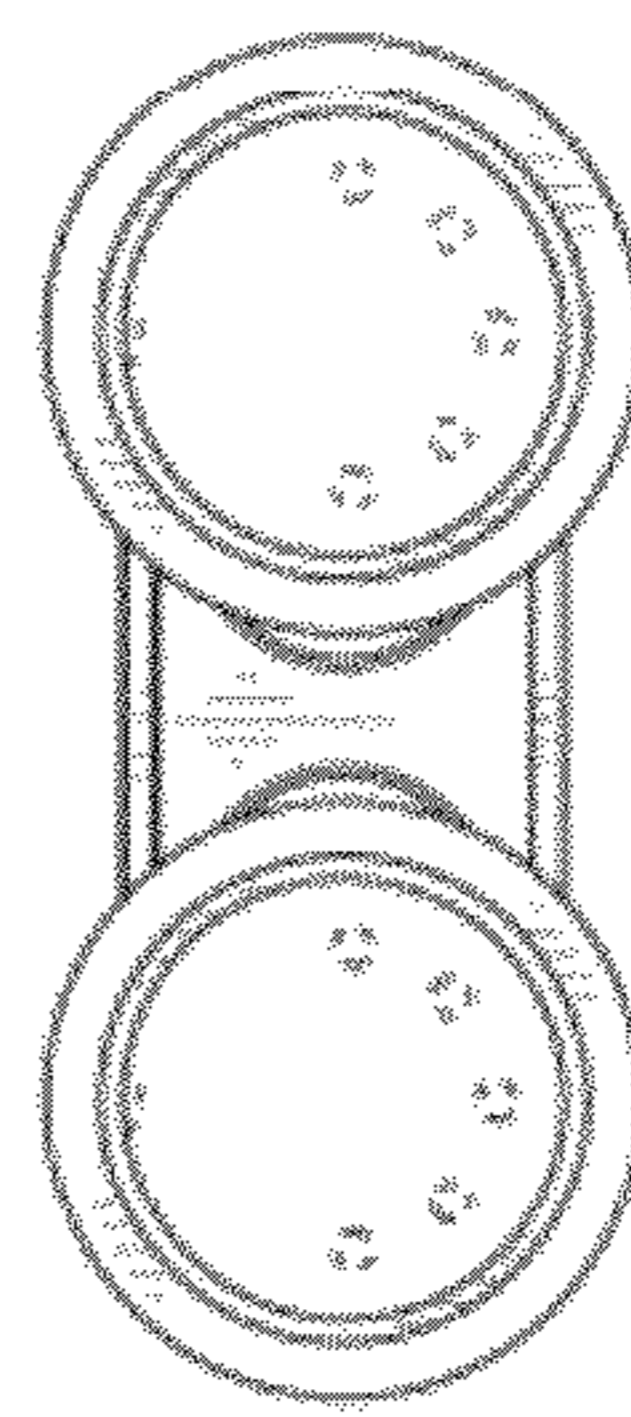


FIG. 4

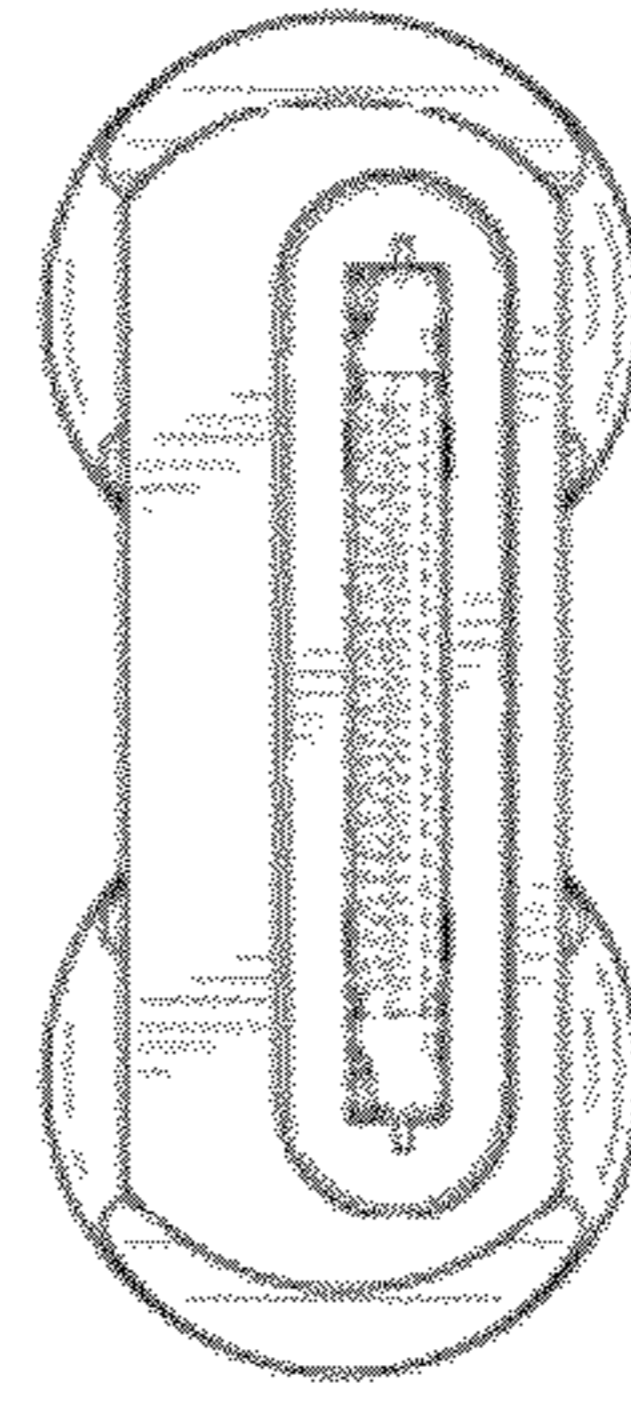


FIG. 5

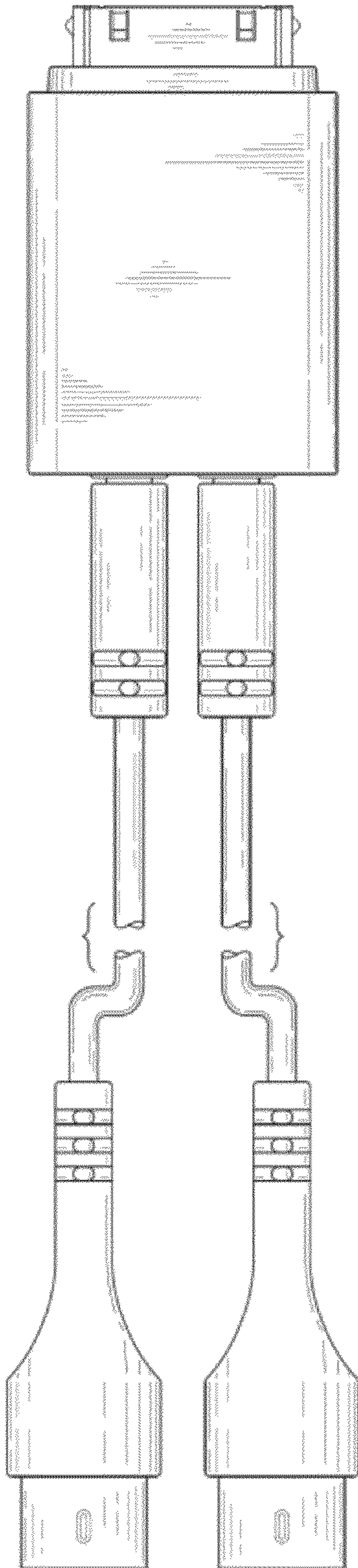


FIG. 6

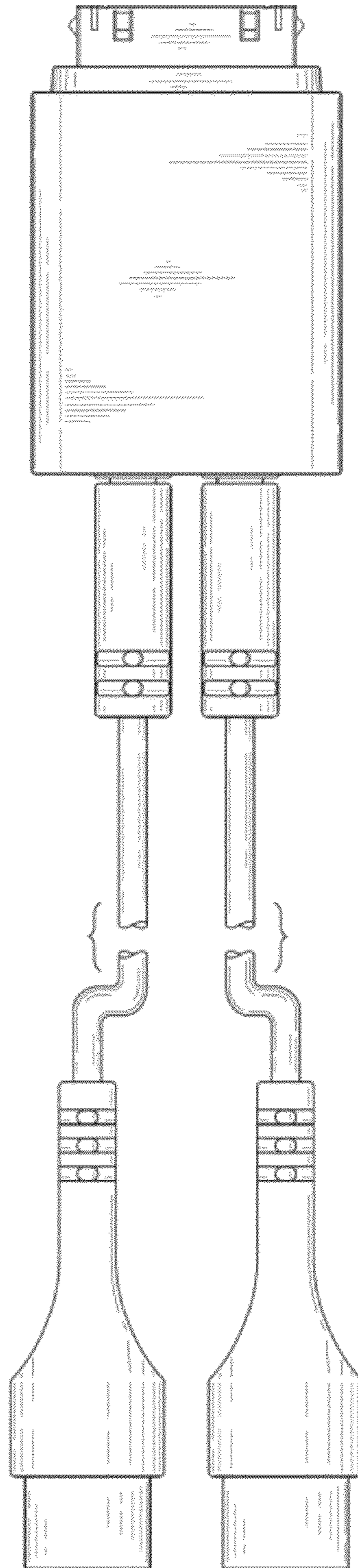


FIG. 7