



US00D675570S

(12) **United States Design Patent**  
**Müller**

(10) **Patent No.:** **US D675,570 S**

(45) **Date of Patent:** **\*\* Feb. 5, 2013**

(54) **CONNECTING PLUG**

(75) **Inventor:** **Gerwin Müller**, Kiel (DE)

(73) **Assignee:** **Phoenix Contact GmbH & Co. KG**,  
Blomberg (DE)

(\*\*) **Term:** **14 Years**

(21) **Appl. No.:** **29/381,223**

(22) **Filed:** **Dec. 16, 2010**

(30) **Foreign Application Priority Data**

Jun. 18, 2010 (DE) ..... 40 2010 004 014

(51) **LOC (9) Cl.** ..... **13-03**

(52) **U.S. Cl.** ..... **D13/147**

(58) **Field of Classification Search** ..... D13/107-109,  
D13/118-119, 133, 146, 147, 154, 184, 199;  
D23/226; 320/104, 107-115, FOR. 104,  
320/FOR. 119, DIG. 35

See application file for complete search history.

(56) **References Cited**

**U.S. PATENT DOCUMENTS**

5,536,173 A \* 7/1996 Fujitani et al. .... 439/34  
D375,721 S \* 11/1996 Endo et al. .... D13/146

D377,643 S \* 1/1997 Endo et al. .... D13/146  
5,614,808 A \* 3/1997 Konoya et al. .... 320/109  
5,627,448 A \* 5/1997 Okada et al. .... 439/133  
6,123,569 A \* 9/2000 Fukushima et al. .... 439/456  
D608,737 S \* 1/2010 Upham et al. .... D13/147

\* cited by examiner

*Primary Examiner* — Daniel Bui

(74) *Attorney, Agent, or Firm* — Nath, Goldberg & Meyer;  
Jerald L. Meyer

(57) **CLAIM**

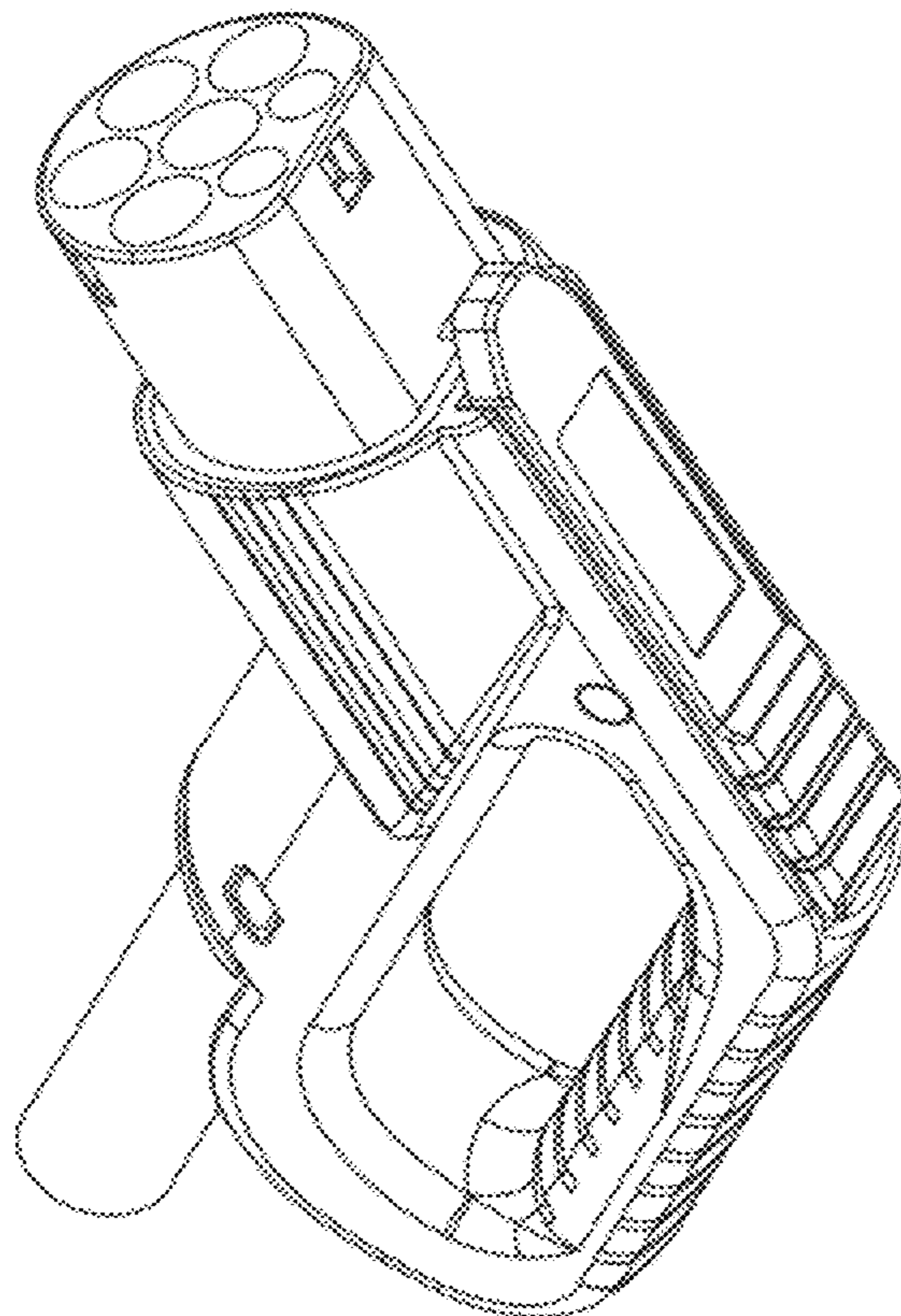
The ornamental design for a connecting plug, as shown and described.

**DESCRIPTION**

FIG. 1 is a front, top and right side perspective view of a connecting plug showing my new design;  
FIG. 2 is a front elevation view thereof;  
FIG. 3 is a rear elevation view thereof;  
FIG. 4 is a left side view thereof;  
FIG. 5 is a right side elevation view thereof;  
FIG. 6 is a top plan view thereof; and,  
FIG. 7 is a bottom plan view thereof.

The features shown by broken lines are included to show unclaimed subject matter and form no part of the claimed design.

**1 Claim, 7 Drawing Sheets**



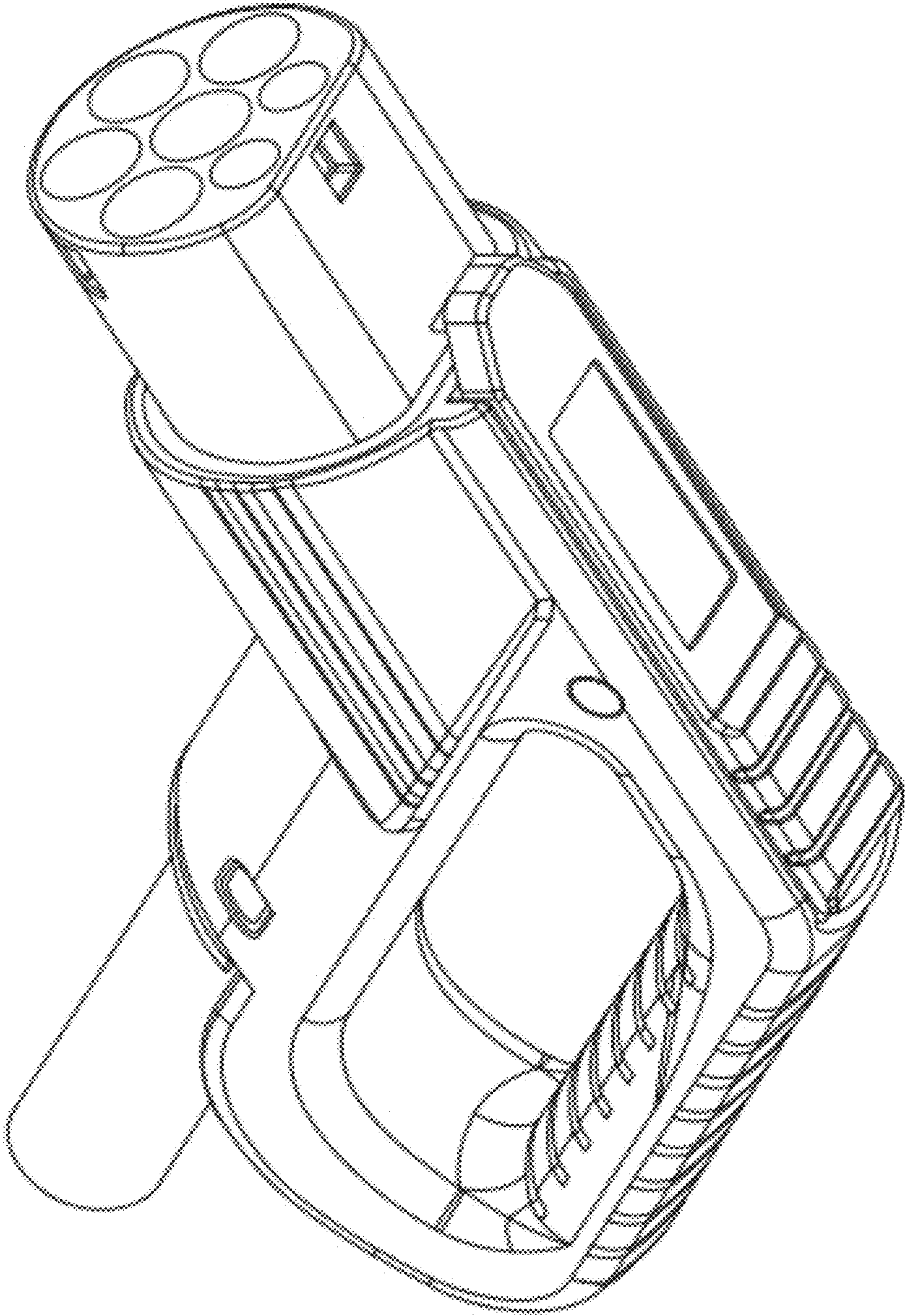


FIG. 1

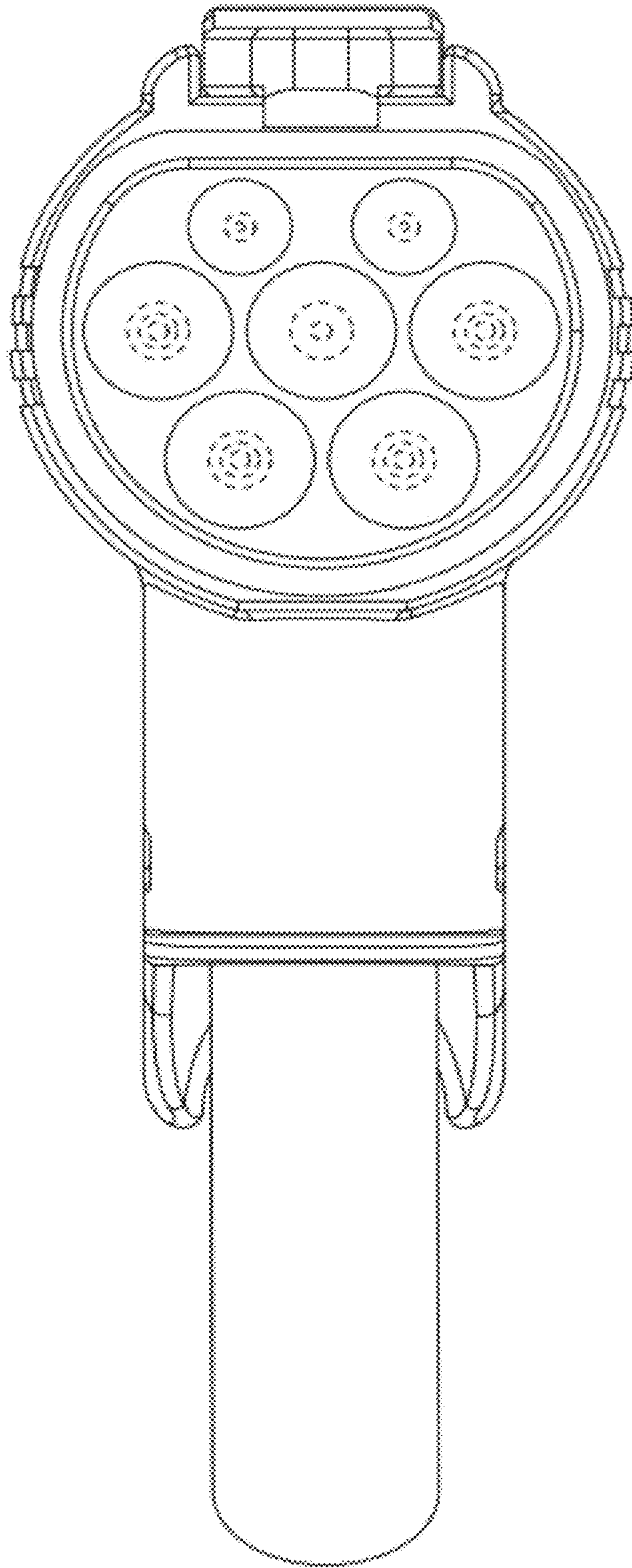


FIG. 2

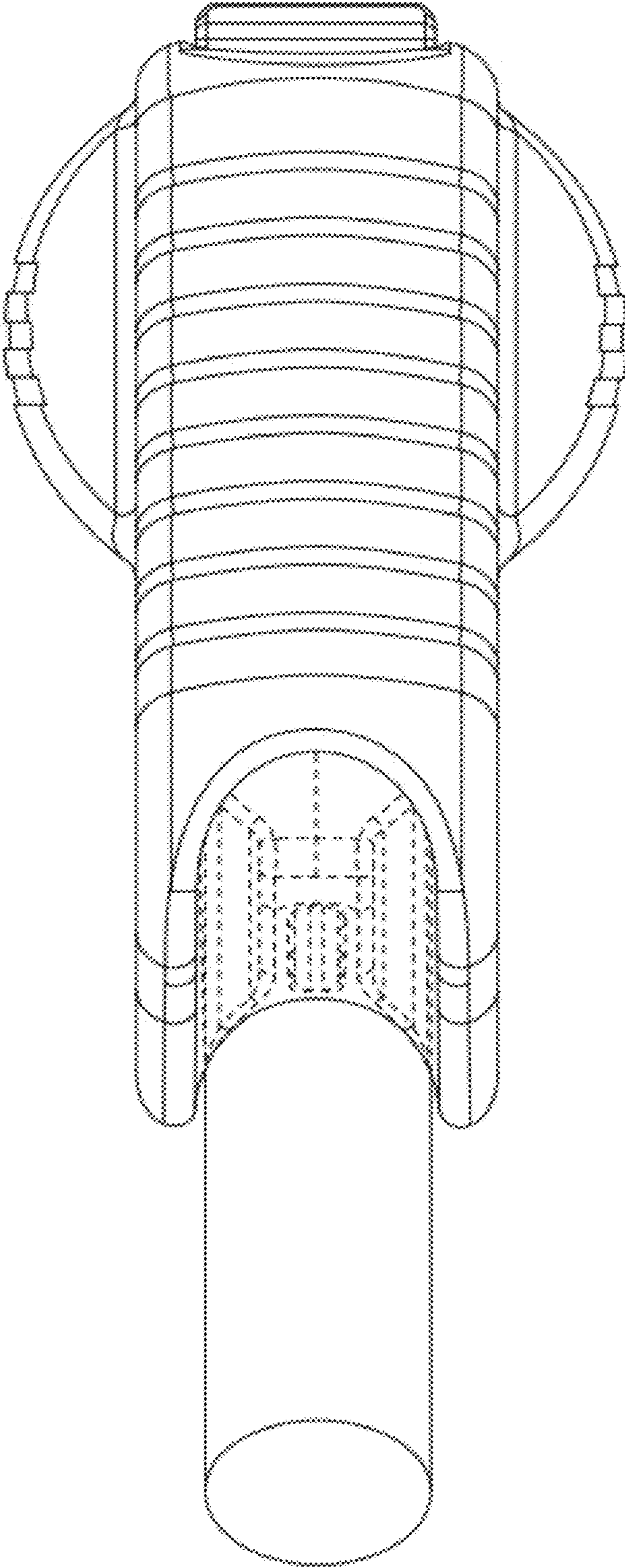


FIG. 3

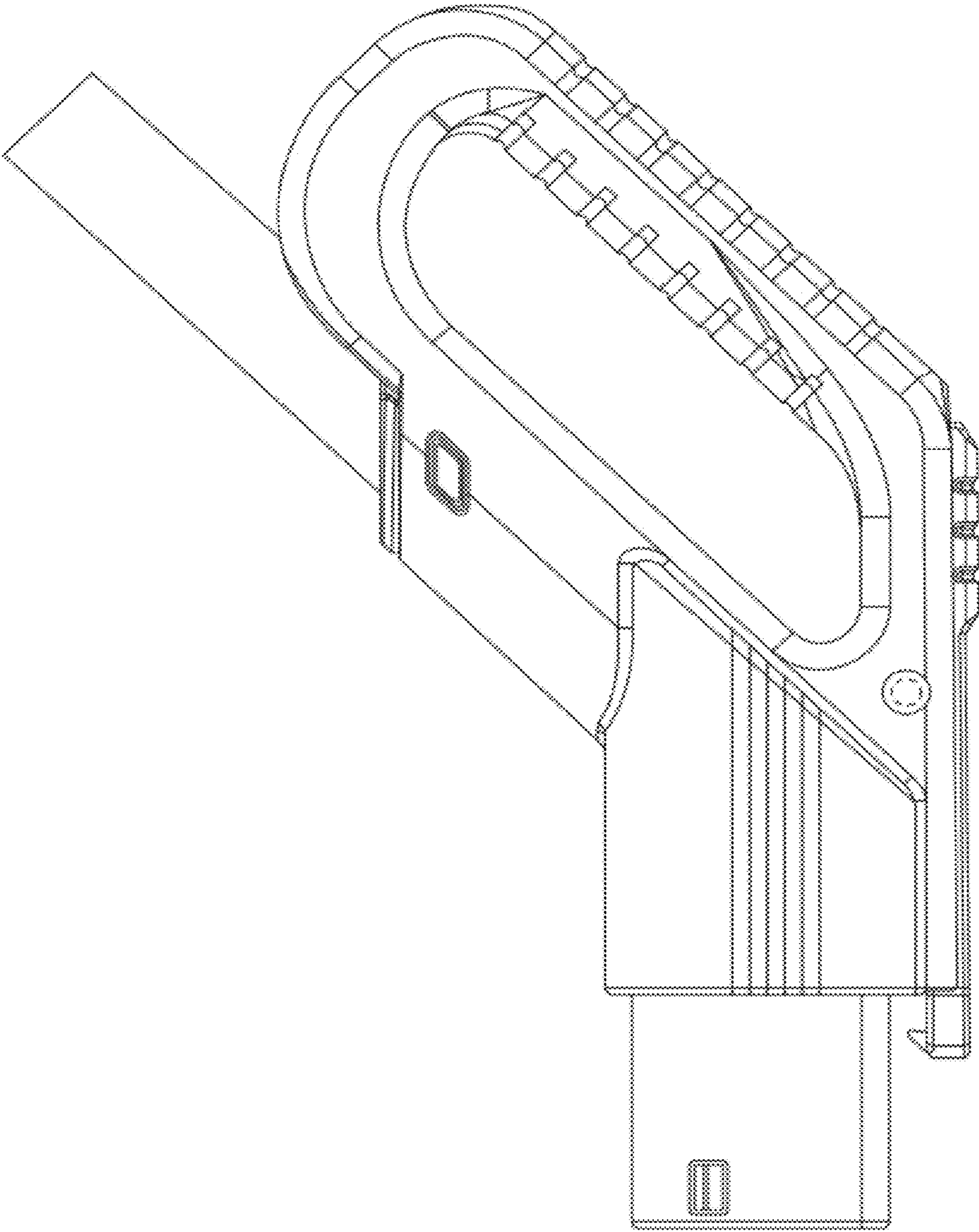


FIG. 4

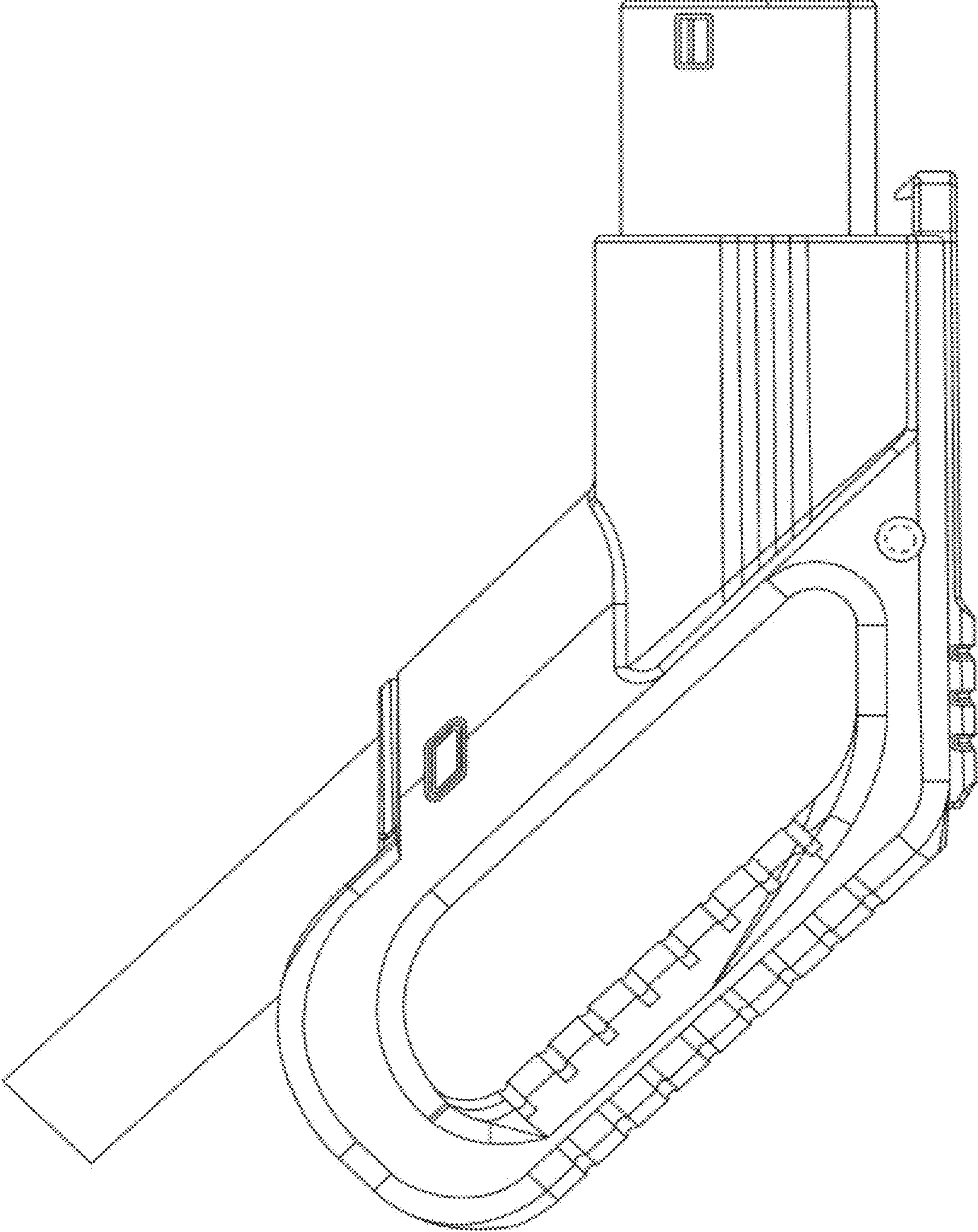


FIG. 5

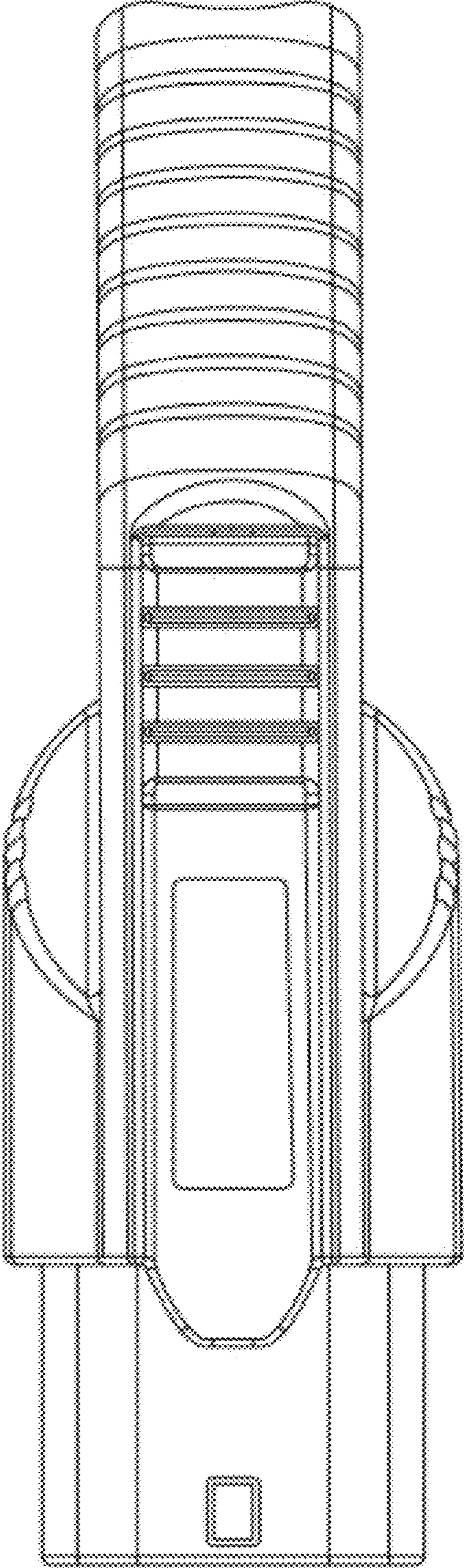


FIG. 6

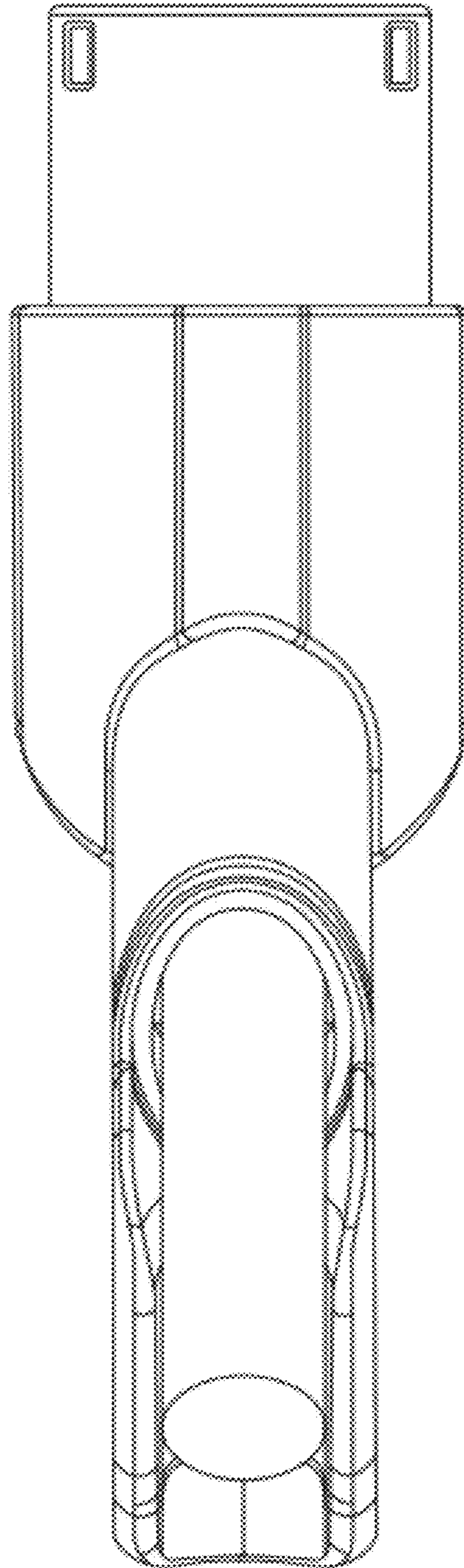


FIG. 7



UNITED STATES PATENT AND TRADEMARK OFFICE  
**CERTIFICATE OF CORRECTION**

PATENT NO. : D675,570 S  
APPLICATION NO. : 29/381223  
DATED : February 5, 2013  
INVENTOR(S) : Muller et al.

Page 1 of 1

It is certified that error appears in the above-identified patent and that said Letters Patent is hereby corrected as shown below:

Title Page, Item (12) "Muller" should read -- Muller, et al. --.

Title Page, Item (75) Inventor is corrected to read:

-- Gerwin Muller, Kiel (DE);  
Weining Wu, Nanjing (CN);  
Jinda Zhu, Nanjing, (CN);  
Feng Ni, Nanjing (CN);  
Hao Zhang, Nanjing (CN) --.

Signed and Sealed this  
Eighth Day of March, 2016



Michelle K. Lee  
*Director of the United States Patent and Trademark Office*