



US00D675568S

(12) **United States Design Patent**  
**Drew et al.**

(10) **Patent No.:** **US D675,568 S**

(45) **Date of Patent:** **\*\* Feb. 5, 2013**

(54) **VEHICULAR ON BOARD DIAGNOSTICS  
ELECTRICAL CONNECTOR**

(75) Inventors: **Michael Drew**, Dexter, MI (US); **Brian Herron**, Dexter, MI (US)

(73) Assignee: **Drew Technologies**, Ann Arbor, MI (US)

(\*\*) Term: **14 Years**

(21) Appl. No.: **29/386,480**

(22) Filed: **Mar. 1, 2011**

(51) **LOC (9) Cl.** ..... **13-03**

(52) **U.S. Cl.** ..... **D13/133**

(58) **Field of Classification Search** ..... D13/107,  
D13/110, 125, 133, 152, 156, 158, 162, 184,  
D13/199; D14/137, 158, 230, 240; D10/104.1;  
340/438, 441; 701/31.4; 439/352  
See application file for complete search history.

(56) **References Cited**

**U.S. PATENT DOCUMENTS**

D383,687	S	*	9/1997	Conrado et al.	.....	D14/159
D393,859	S	*	4/1998	Nguyen et al.	.....	D14/191
D418,481	S	*	1/2000	Lin	.....	D13/152
D497,318	S	*	10/2004	Strand et al.	.....	D10/104.1
D509,214	S	*	9/2005	Chung	.....	D14/240
7,150,660	B2	*	12/2006	Allgood et al.	.....	439/845
D553,570	S	*	10/2007	Peck	.....	D13/138.2

D574,772	S	*	8/2008	Sutter	.....	D13/133
D576,901	S	*	9/2008	Fraser et al.	.....	D10/104.1
D642,165	S	*	7/2011	Kyriakides et al.	.....	D14/240
D666,970	S	*	9/2012	Blake et al.	.....	D13/125
2010/0204878	A1	*	8/2010	Drew et al.	.....	701/33

\* cited by examiner

*Primary Examiner* — Thomas Johannes

(74) *Attorney, Agent, or Firm* — Brinks Hofer Gilson & Lione

(57) **CLAIM**

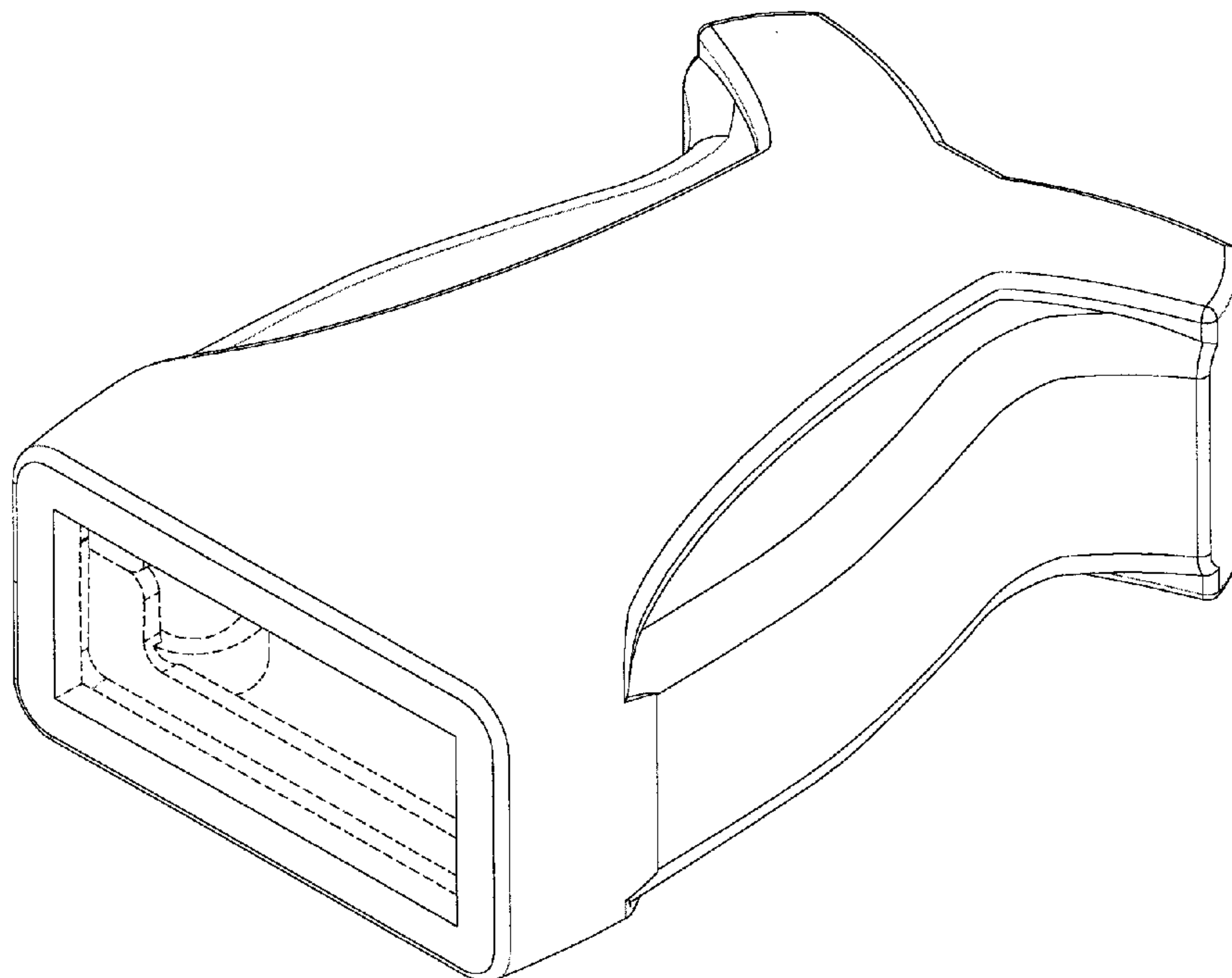
The ornamental design for a vehicular on board diagnostics electrical connector, as shown and described.

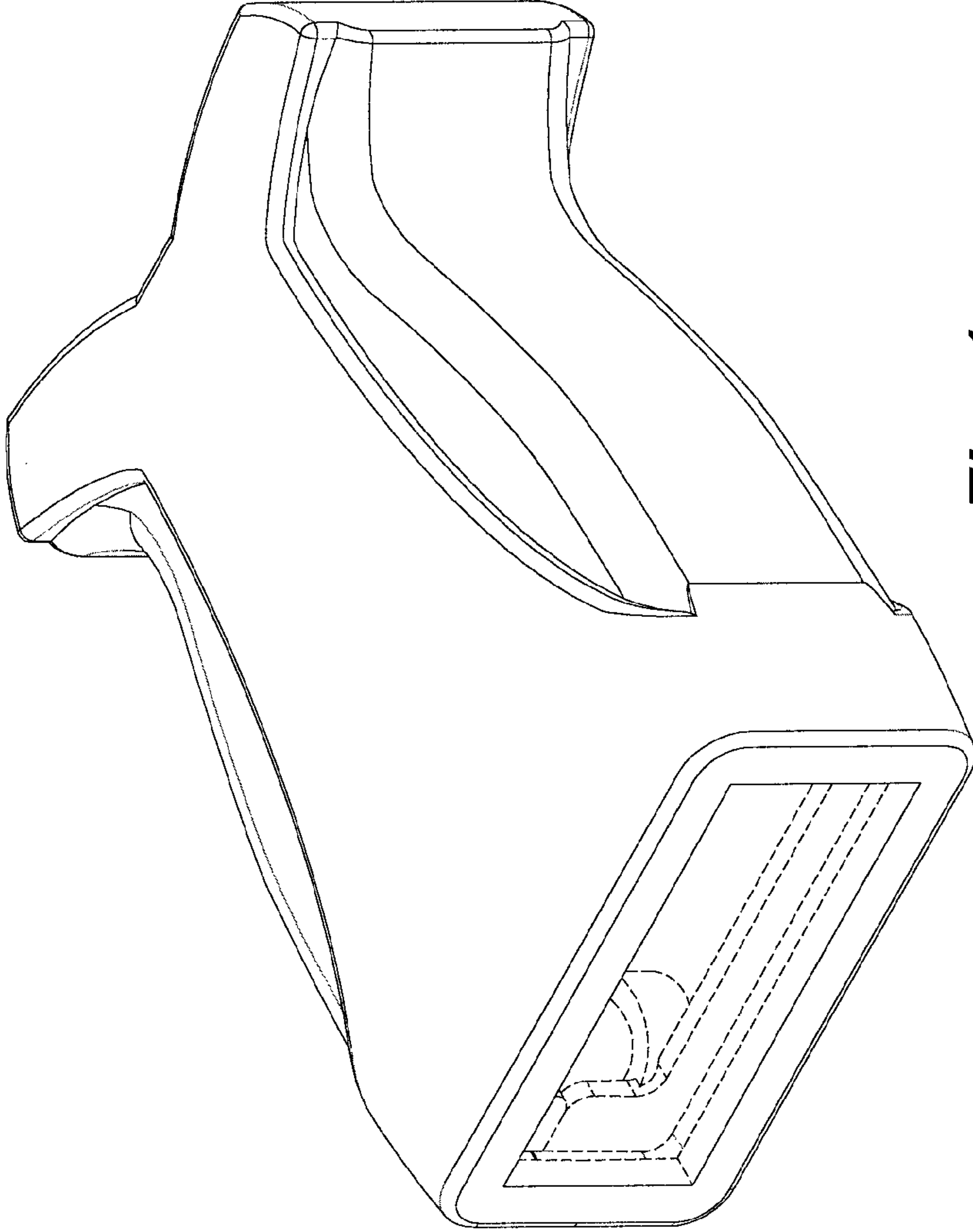
**DESCRIPTION**

FIG. 1 is a top front perspective view of the vehicular on board diagnostics electrical connector of the instant invention; FIG. 2 is a top view thereof; FIG. 3 is a bottom view thereof; FIG. 4 is a left side view thereof; FIG. 5 is a right side view thereof; FIG. 6 is a front view thereof; and, FIG. 7 is a rear view thereof.

The portions of the figures illustrated in broken lines show unclaimed subject matter only and form no part of the claimed subject matter.

**1 Claim, 4 Drawing Sheets**





**Fig. 1**

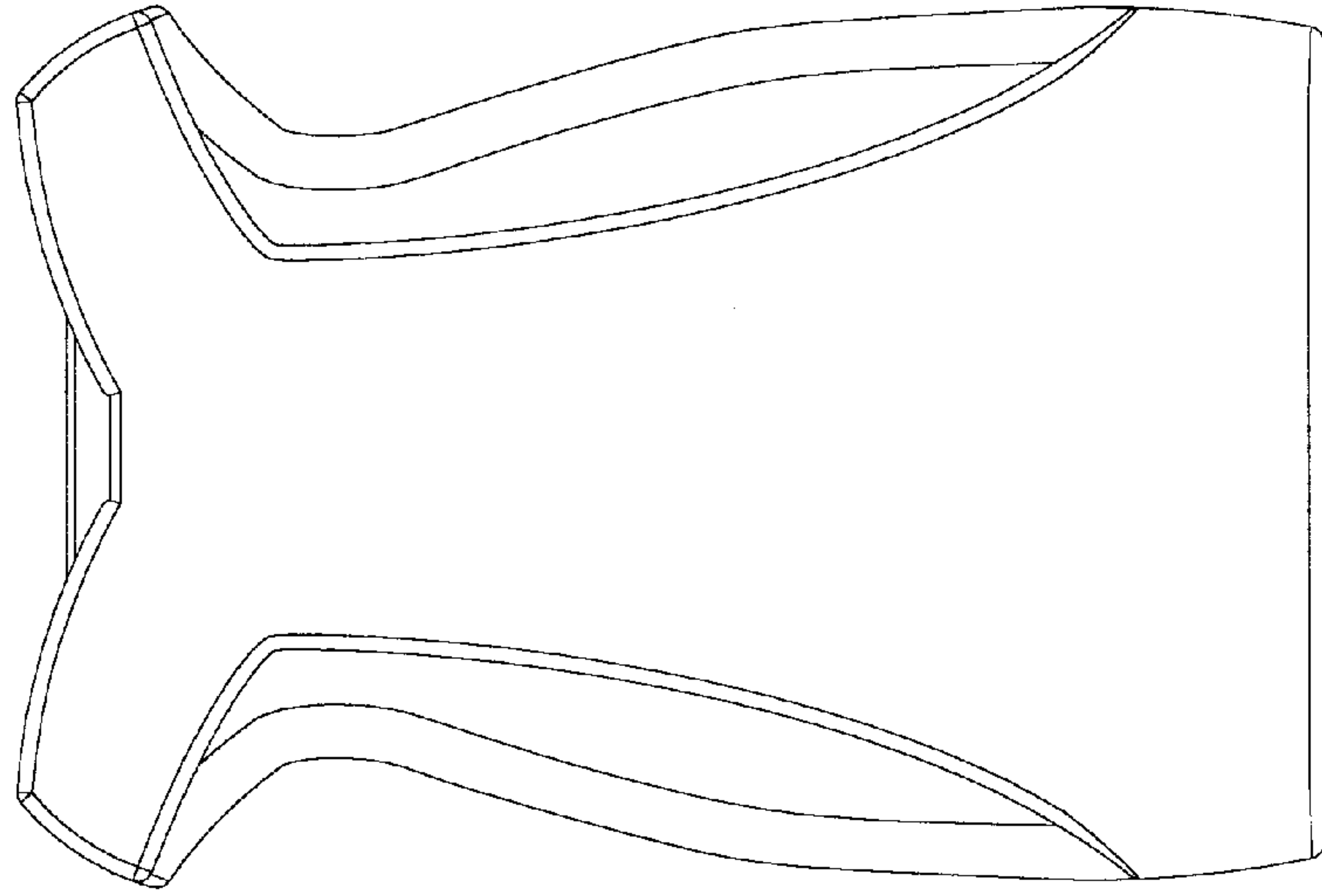


Fig. 2

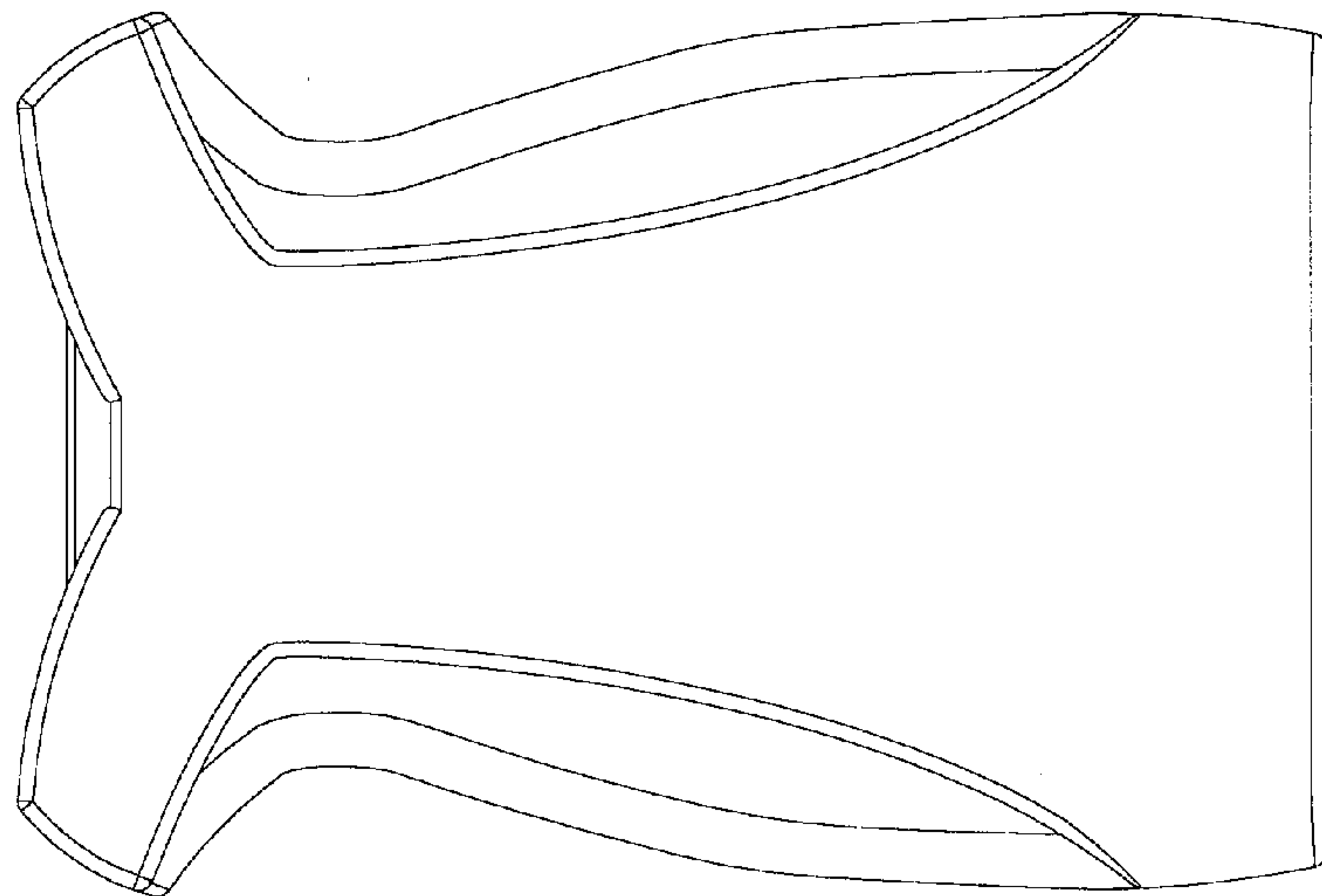
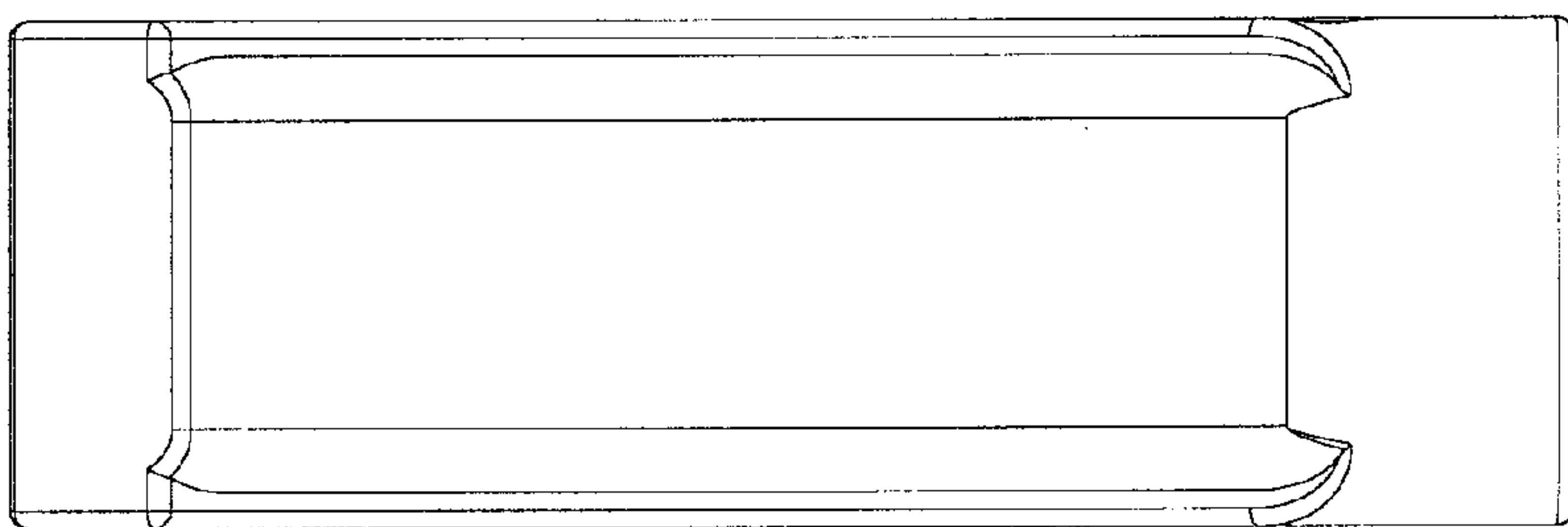
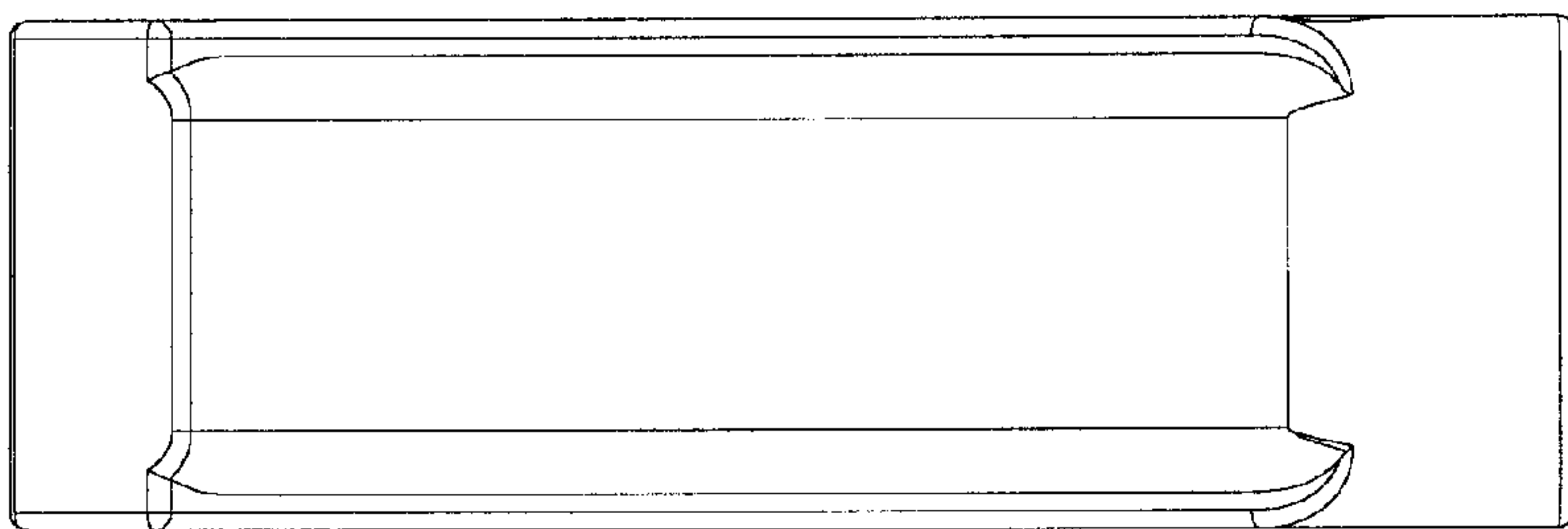


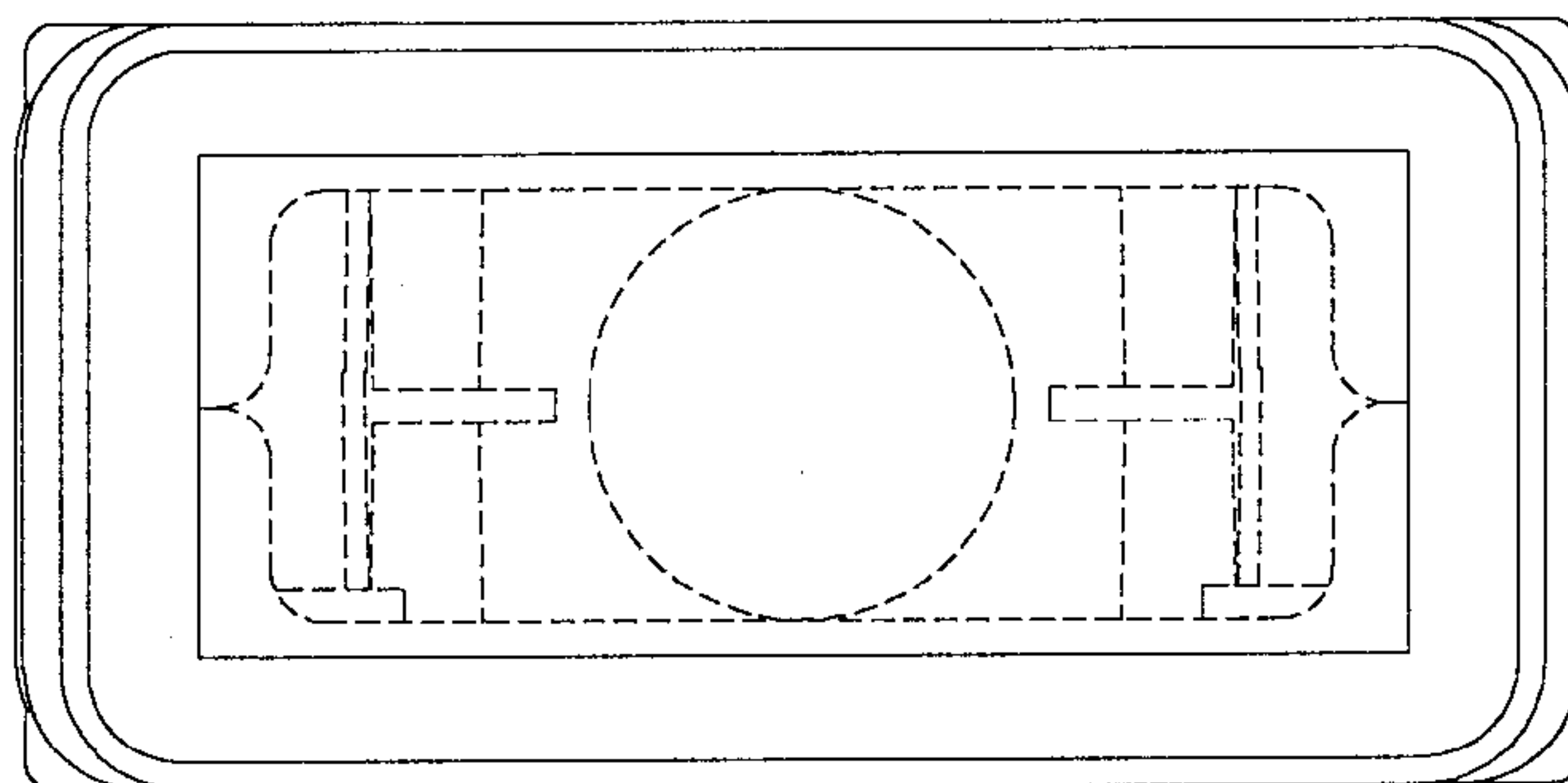
Fig. 3



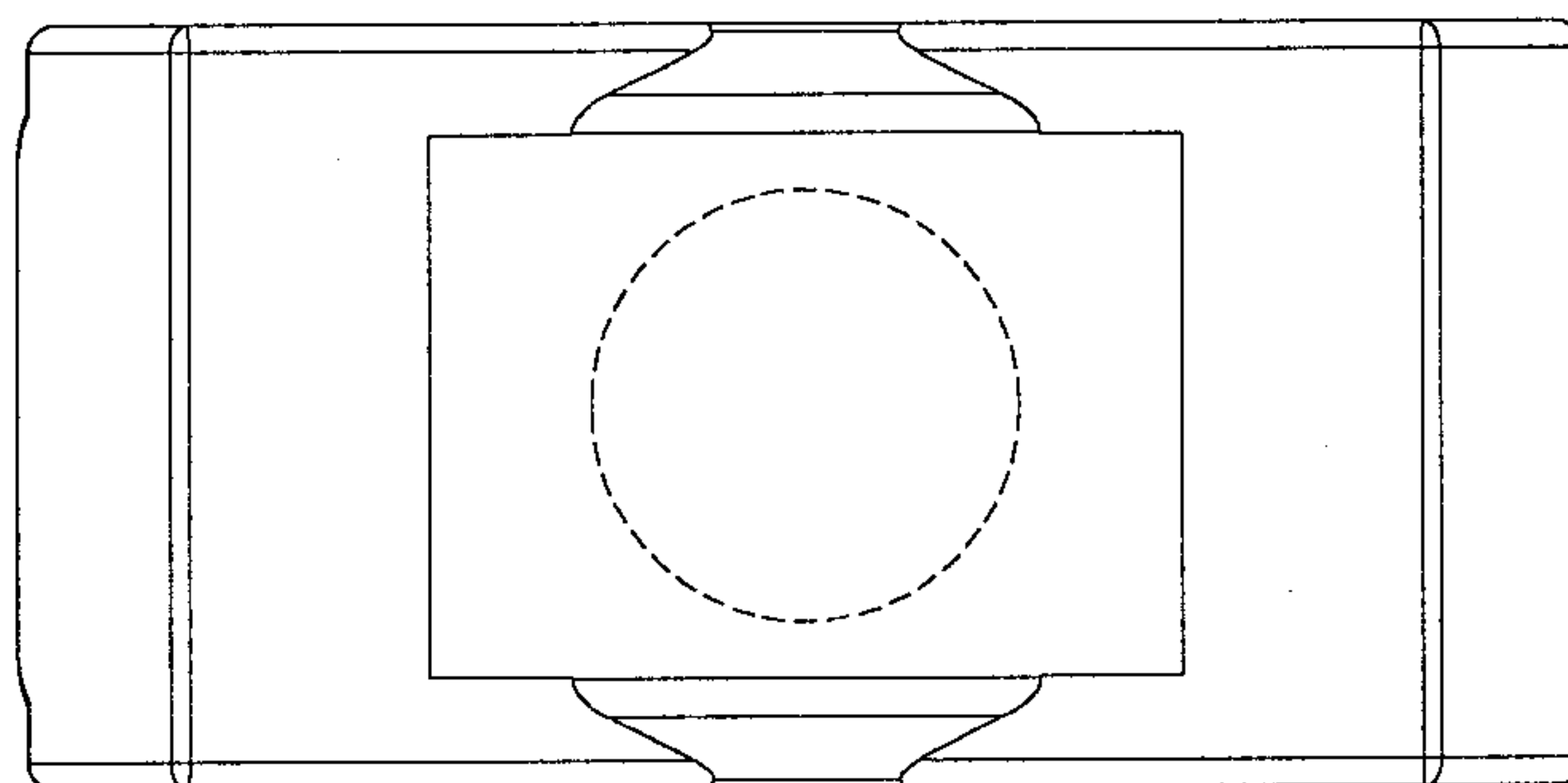
**Fig. 5**



**Fig. 4**



**Fig. 6**



**Fig. 7**