



US00D675563S

(12) **United States Design Patent**  
**Hoehn et al.**

(10) **Patent No.:** **US D675,563 S**  
(45) **Date of Patent:** **\*\* Feb. 5, 2013**

(54) **POWER SUPPLY**

(75) Inventors: **Holger Hoehn**, New Territories (HK);  
**Qingxiang Sophia Ou**, New Territories  
(HK)

(73) Assignee: **Koninklijke Philips Electronics N.V.**,  
Eindhoven (NL)

(\*\*) Term: **14 Years**

(21) Appl. No.: **29/369,196**

(22) Filed: **Sep. 3, 2010**

(30) **Foreign Application Priority Data**

Mar. 4, 2010 (EM) ..... 001677873-0001

(51) **LOC (9) Cl.** ..... **13-02**

(52) **U.S. Cl.** ..... **D13/110**

(58) **Field of Classification Search** ..... D13/107-108,  
D13/110, 118-119, 123, 133, 137.1, 184,  
D13/199; 439/105, 166, 170-175, 218, 518,  
439/692, 956; 320/111, 114; 307/150, 151

See application file for complete search history.

(56) **References Cited**

U.S. PATENT DOCUMENTS

D375,483	S	*	11/1996	Tashiro	.....	D13/110
5,923,147	A	*	7/1999	Martensson	.....	320/111
6,555,990	B1	*	4/2003	Yang	.....	320/113
D483,721	S	*	12/2003	Kim et al.	.....	D13/110
D524,731	S	*	7/2006	Navarrez et al.	.....	D13/108
D527,343	S	*	8/2006	Navarrez et al.	.....	D13/108
D543,934	S	*	6/2007	Kang et al.	.....	D13/107
D599,737	S	*	9/2009	Amidei et al.	.....	D13/110
D599,738	S	*	9/2009	Amidei et al.	.....	D13/110
D628,151	S	*	11/2010	Wegener et al.	.....	D13/108
D628,153	S	*	11/2010	Fujii et al.	.....	D13/108
D662,879	S	*	7/2012	Steinbuechel et al.	.....	D13/107
2003/0111978	A1	*	6/2003	Wang	.....	320/114

\* cited by examiner

*Primary Examiner* — Rosemary K Tarcza

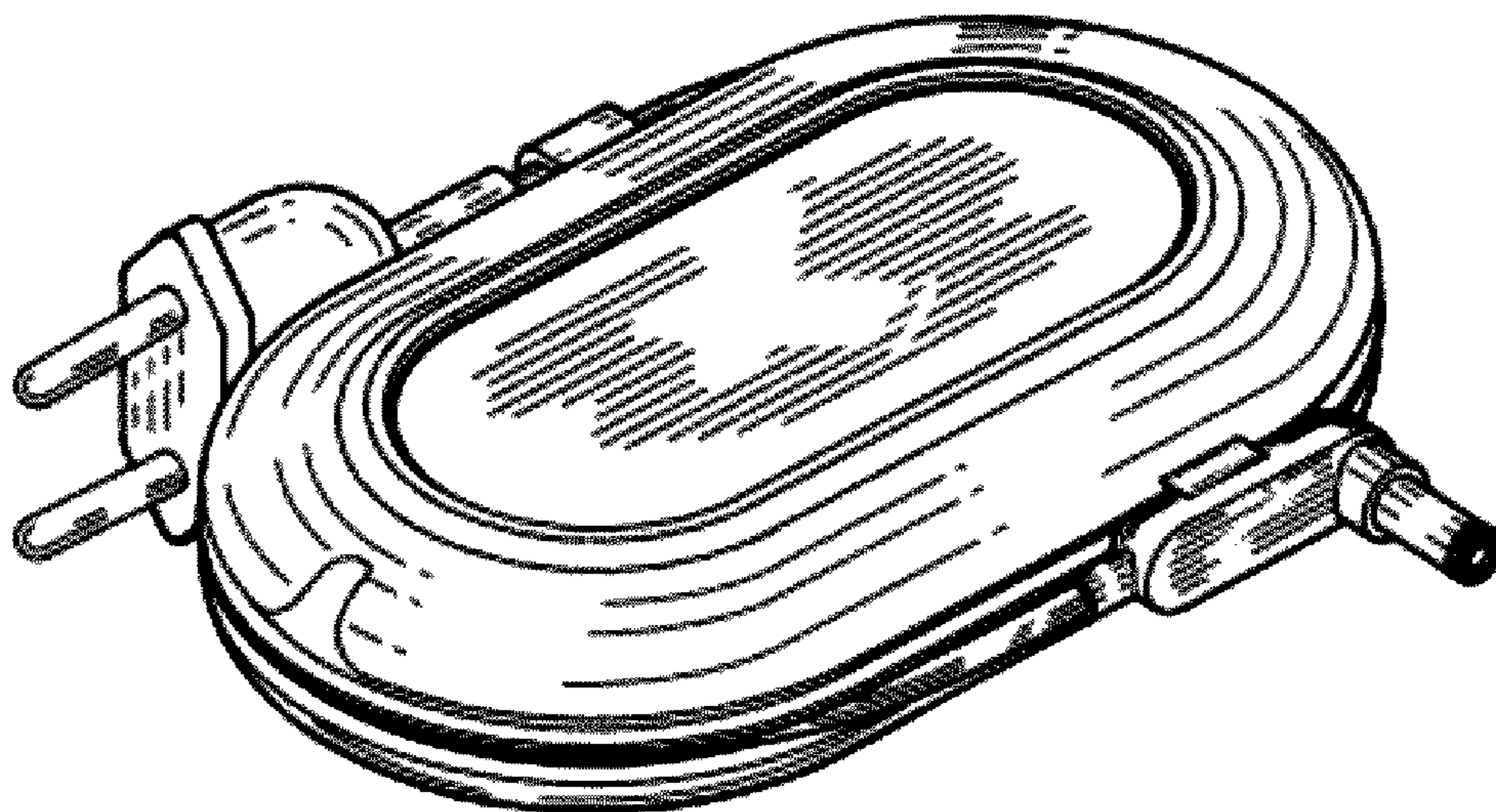
(57) **CLAIM**

The ornamental design for a power supply, as shown.

**DESCRIPTION**

FIG. 1 is a perspective view showing my design;  
FIG. 2 is a front elevational view thereof;  
FIG. 3 is a rear elevational view thereof;  
FIG. 4 is a right side elevational view thereof;  
FIG. 5 is a left side elevational view thereof;  
FIG. 6 is a top plan view thereof; and,  
FIG. 7 is a bottom plan view thereof.

**1 Claim, 3 Drawing Sheets**



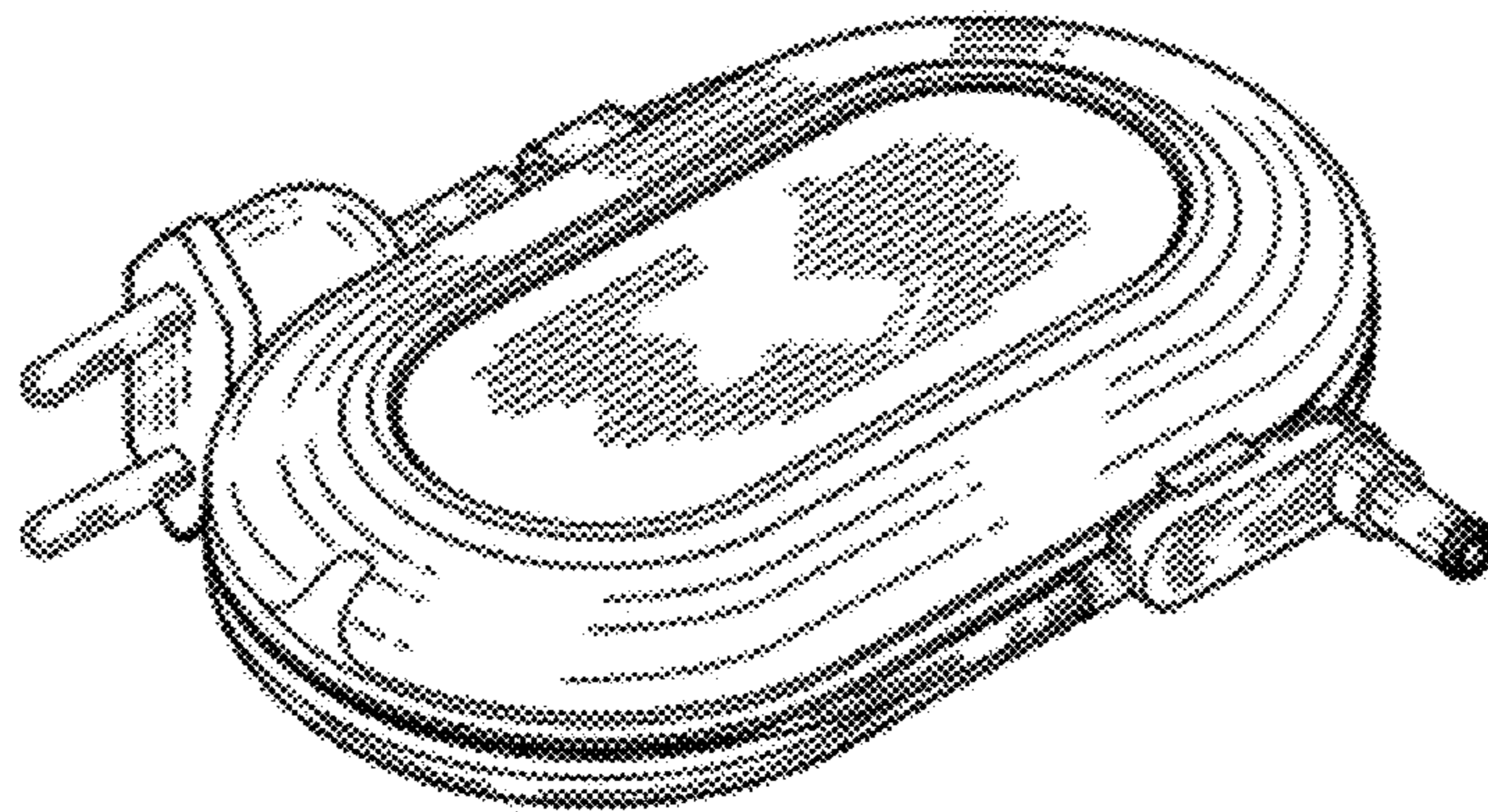


FIG. 1

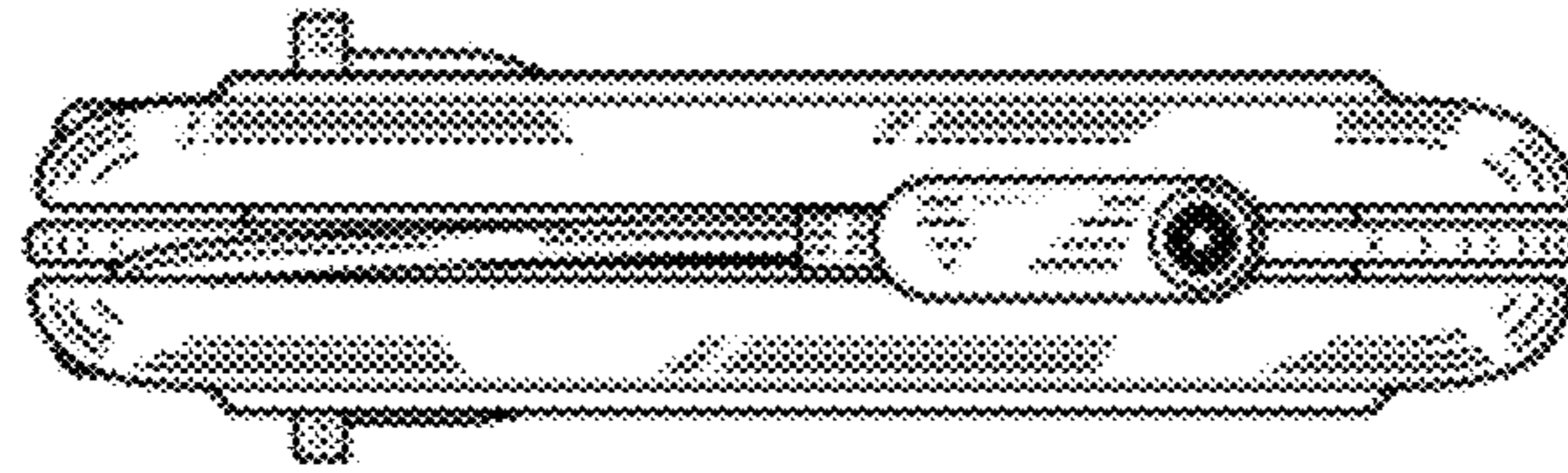


FIG. 2

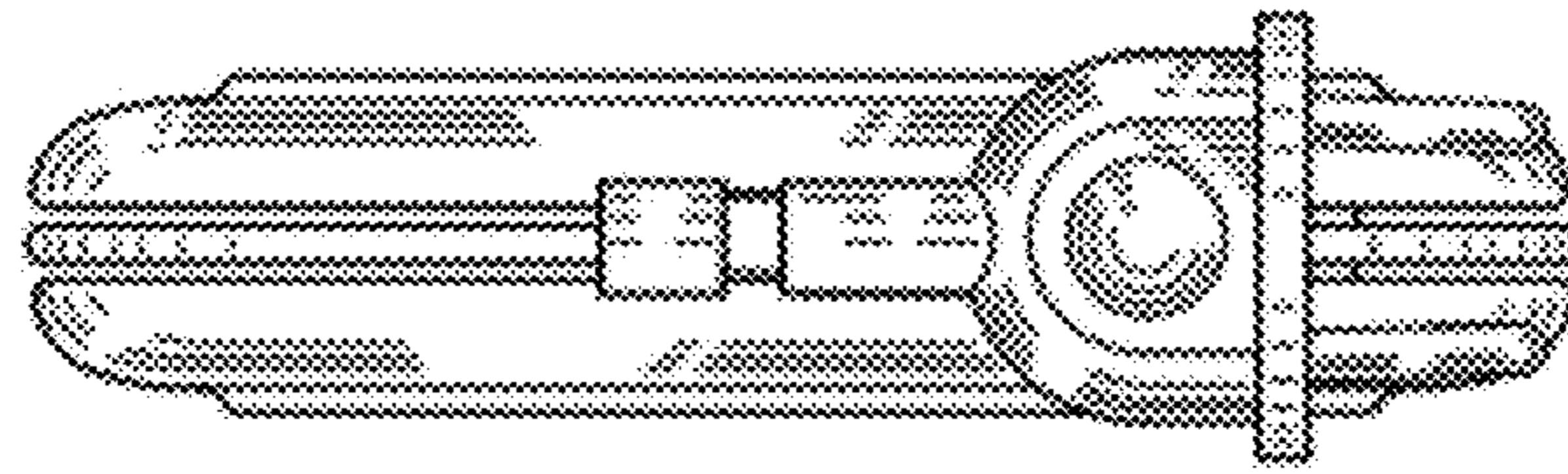


FIG. 3

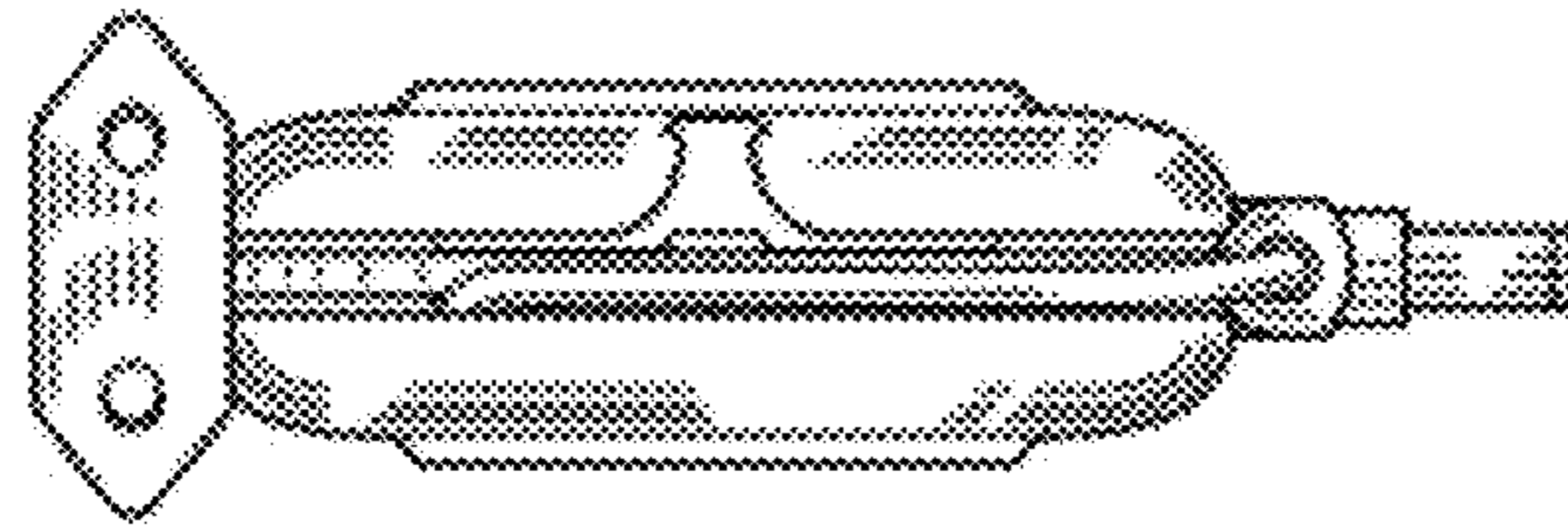


FIG. 4

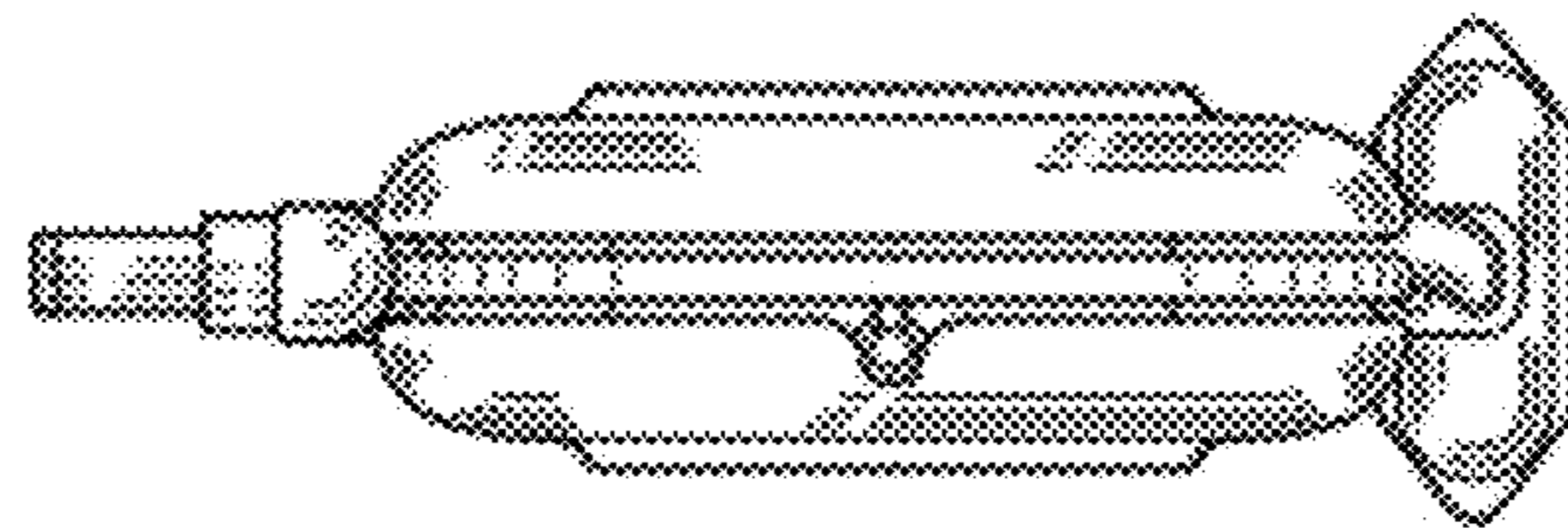


FIG. 5

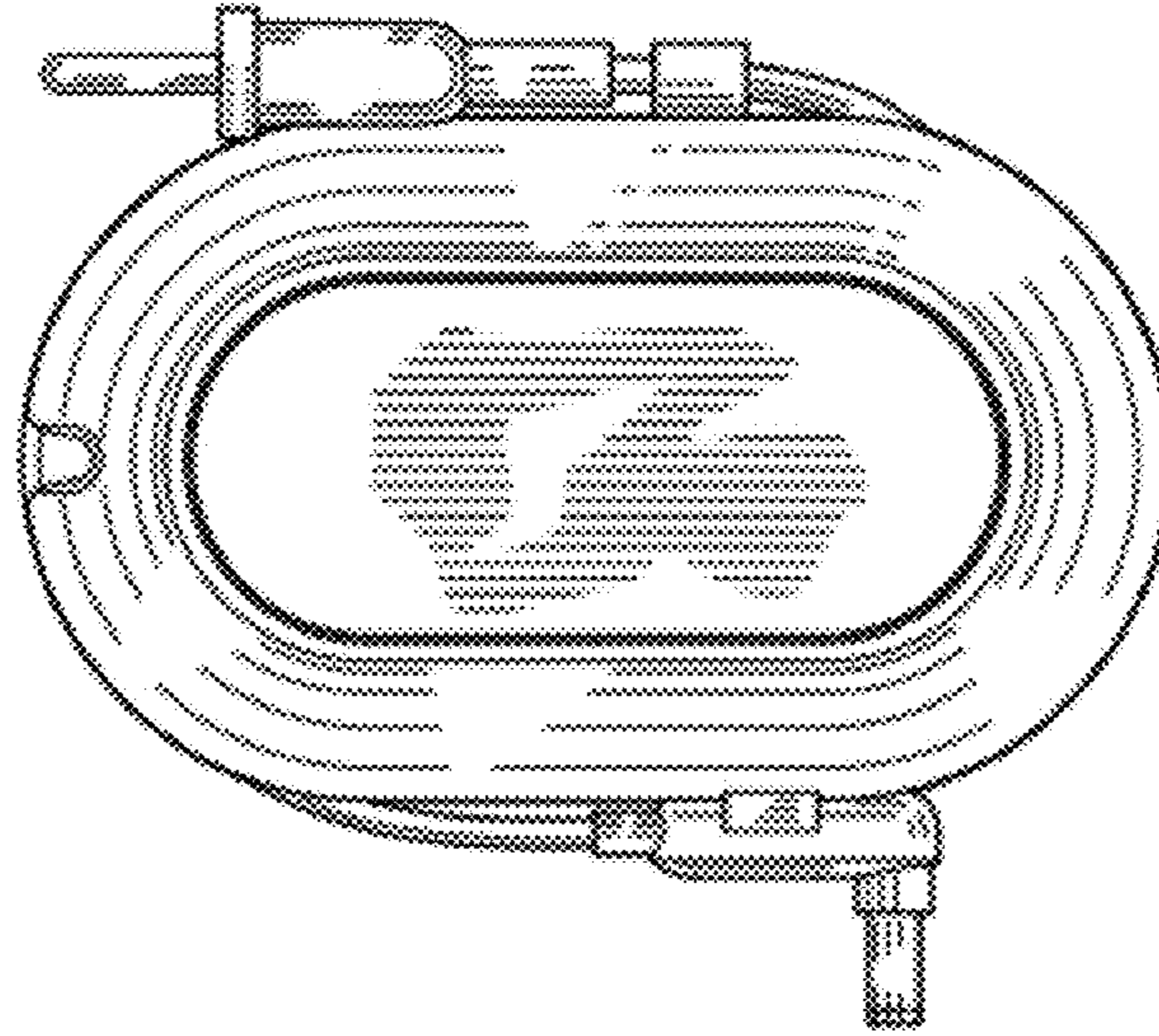


FIG. 6

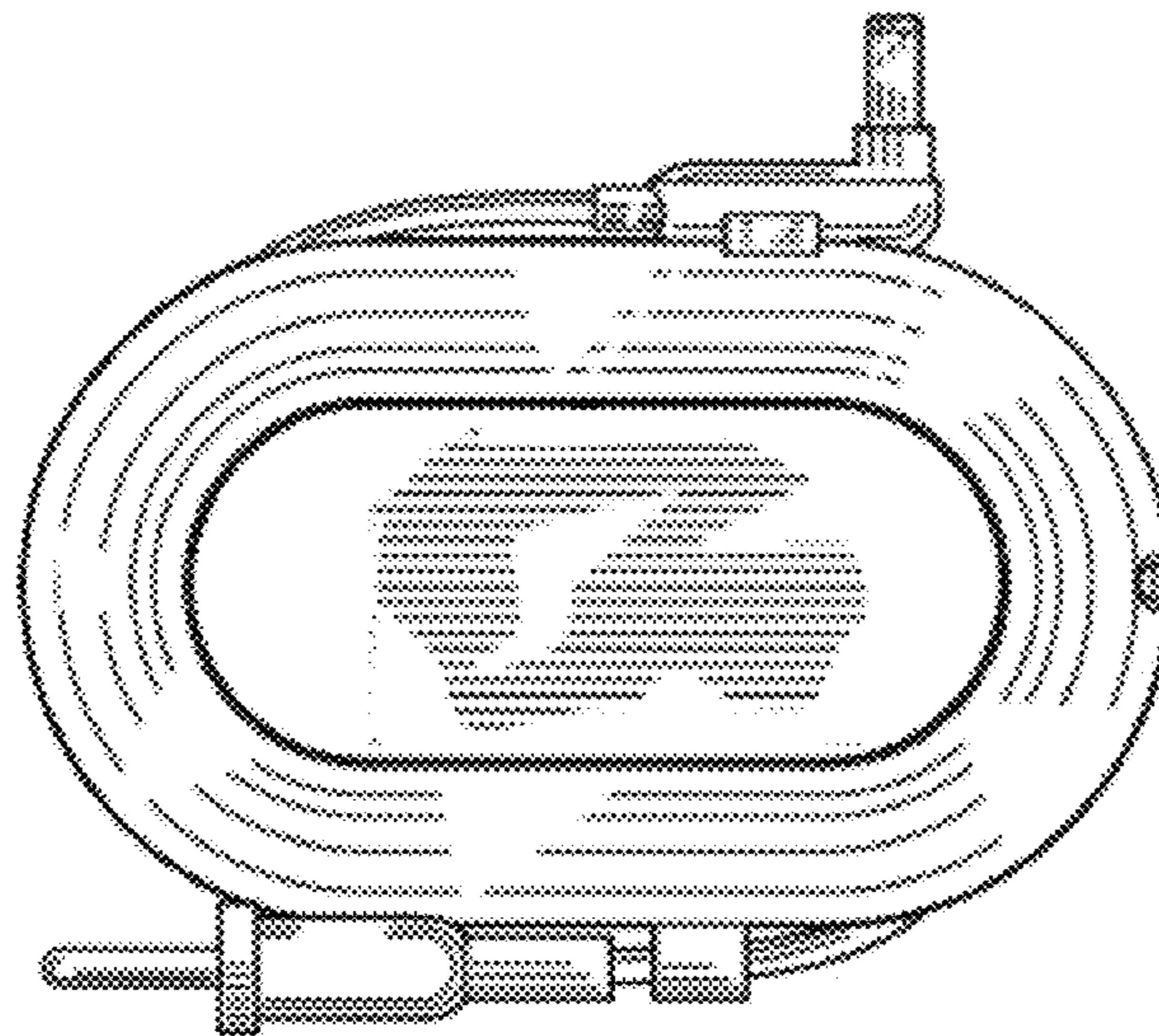


FIG. 7