



US00D675562S

(12) **United States Design Patent**  
**Qualls et al.**

(10) **Patent No.:** **US D675,562 S**  
(45) **Date of Patent:** **\*\* Feb. 5, 2013**

(54) **SPIRAL WOUND BATTERY**  
(75) Inventors: **Lee Qualls**, Milton, GA (US); **Layna Mendlinger**, Milton, GA (US); **John Bear**, Milton, GA (US); **Scott Cronrath**, Milton, GA (US); **Brian Westbrook**, Milton, GA (US); **Nick Kovalkevich**, Milton, GA (US); **T. Bruce Montgomery**, Milton, GA (US); **David Thimm**, Walled Lake, MI (US)

(73) Assignee: **Exide Technologies**, Milton, GA (US)

(\*\*) Term: **14 Years**

(21) Appl. No.: **29/378,574**

(22) Filed: **Nov. 5, 2010**  
(Under 37 CFR 1.47)

(51) **LOC (9) Cl.** ..... **13-02**

(52) **U.S. Cl.** ..... **D13/106**

(58) **Field of Classification Search** ..... D13/102–106,  
D13/110, 118–119, 184, 199; 429/96–100,  
429/163, 176

See application file for complete search history.

(56) **References Cited**

**U.S. PATENT DOCUMENTS**

|           |     |         |                                  |         |
|-----------|-----|---------|----------------------------------|---------|
| 2,724,360 | A   | 3/1953  | Crookshank                       |         |
| 2,692,906 | A   | 10/1954 | Morgan                           |         |
| D196,798  | S   | 11/1963 | Worrell                          |         |
| D242,048  | S   | 10/1976 | Frode                            |         |
| 4,634,642 | A   | 1/1987  | Lopez-Doriga Lopez-Doriga et al. |         |
| 4,693,949 | A * | 9/1987  | Kellett et al.                   | 429/128 |
| D292,576  | S   | 11/1987 | Kump et al.                      |         |
| D294,484  | S * | 3/1988  | Kellett et al.                   | D13/106 |
| D303,519  | S   | 9/1989  | Lopez-Doriga Lopez-Doriga et al. |         |
| D310,821  | S   | 9/1990  | Hulsebus et al.                  |         |
| 5,187,031 | A   | 2/1993  | Heiman et al.                    |         |
| 5,484,667 | A   | 1/1996  | Sahli et al.                     |         |
| 5,512,065 | A   | 4/1996  | Kump et al.                      |         |
| D383,434  | S   | 9/1997  | Hooke et al.                     |         |
| D400,849  | S   | 11/1998 | Ikeda et al.                     |         |
| D401,551  | S * | 11/1998 | Kim                              | D13/106 |

|           |     |         |                       |         |
|-----------|-----|---------|-----------------------|---------|
| 5,895,728 | A * | 4/1999  | Walker et al.         | 429/53  |
| 6,007,937 | A   | 12/1999 | Ruiz Rodriguez et al. |         |
| 6,300,005 | B1  | 10/2001 | Kump                  |         |
| D458,900  | S * | 6/2002  | Carter et al.         | D13/106 |
| D462,656  | S   | 9/2002  | Degen et al.          |         |
| D491,138  | S   | 6/2004  | Minato                |         |
| D543,938  | S   | 6/2007  | Kawakita et al.       |         |
| D584,684  | S   | 1/2009  | Aglassinger           |         |
| D600,202  | S   | 9/2009  | Mack                  |         |
| D607,405  | S * | 1/2010  | Mack                  | D13/119 |
| D609,178  | S   | 2/2010  | Mack                  |         |
| D609,179  | S   | 2/2010  | Mack                  |         |
| D609,631  | S * | 2/2010  | Mack                  | D13/104 |
| D621,353  | S * | 8/2010  | Mack                  | D13/119 |
| D625,253  | S   | 10/2010 | Mack                  |         |

(Continued)

*Primary Examiner* — Rosemary K Tarcza

(74) *Attorney, Agent, or Firm* — Katten Muchin Rosenman LLP

(57) **CLAIM**

The ornamental design for a spiral wound battery, as shown and described.

**DESCRIPTION**

FIG. 1 is a top perspective view of an embodiment of a spiral wound battery in accordance with the present invention. The spiral wound battery includes terminals on the side, curved portions in the front and back, vertically ribbed portions on the sides, and rounded, protruding shoulder portions at each of the eight corners of the spiral wound battery. In addition, the spiral wound battery includes a series of small notches in a horizontal arrangement along a bottom portion of the front and back of the spiral wound battery. The sides of the spiral wound battery are recessed inwardly.

FIG. 2 is a front view of a spiral wound battery in accordance with the FIG. 1 embodiment.

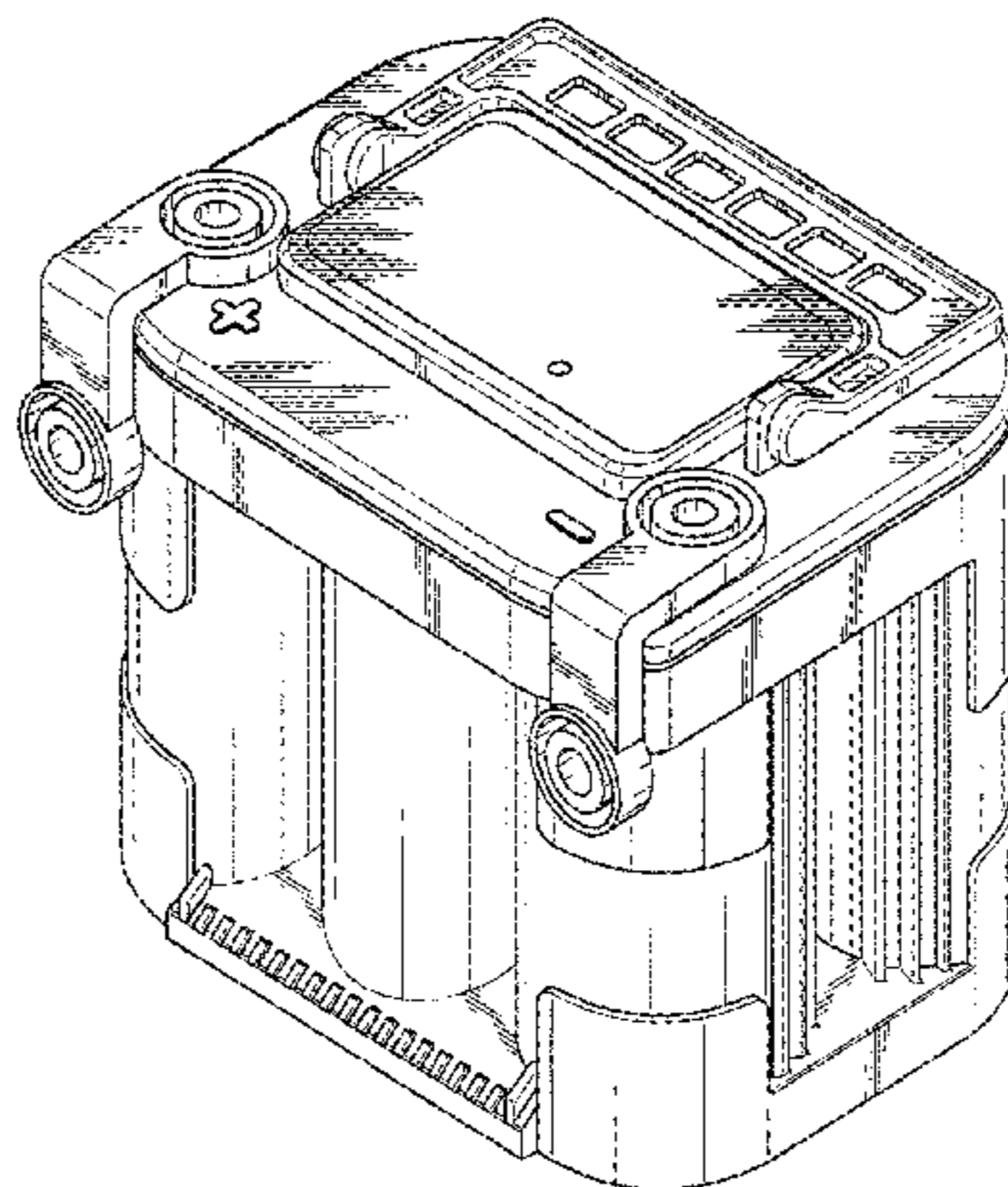
FIG. 3 is a top view of a spiral wound battery in accordance with the FIG. 1 embodiment.

FIG. 4 is a side view of a spiral wound battery in accordance with the FIG. 1 embodiment.

FIG. 5 is a back view of a spiral wound battery in accordance with the FIG. 1 embodiment; and,

FIG. 6 is a bottom view of a spiral wound battery in accordance with the FIG. 1 embodiment.

**1 Claim, 6 Drawing Sheets**



# US D675,562 S

Page 2

---

## U.S. PATENT DOCUMENTS

|              |         |               |       |         |                   |         |                            |
|--------------|---------|---------------|-------|---------|-------------------|---------|----------------------------|
| D625,254 S   | 10/2010 | Mack          |       |         |                   |         |                            |
| D633,862 S   | 3/2011  | Qualls et al. |       |         |                   |         |                            |
| D633,863 S * | 3/2011  | Qualls et al. | ..... | D13/106 |                   |         |                            |
| D633,864 S * | 3/2011  | Qualls et al. | ..... | D13/106 |                   |         |                            |
| D633,865 S * | 3/2011  | Qualls et al. | ..... | D13/106 |                   |         |                            |
| D633,866 S * | 3/2011  | Qualls et al. | ..... | D13/106 |                   |         |                            |
| D635,509 S   | 4/2011  | Mack et al.   |       |         |                   |         |                            |
| D643,810 S   | 8/2011  | Qualls et al. |       |         |                   |         |                            |
|              |         |               |       |         | D643,811 S        | 8/2011  | Qualls et al.              |
|              |         |               |       |         | D647,051 S        | 10/2011 | Qualls et al.              |
|              |         |               |       |         | D647,052 S        | 10/2011 | Qualls et al.              |
|              |         |               |       |         | 2003/0044679 A1   | 3/2003  | Hirano et al.              |
|              |         |               |       |         | 2004/0170888 A1 * | 9/2004  | Cummins et al. .... 429/99 |
|              |         |               |       |         | 2009/0092890 A1   | 4/2009  | Wu                         |
|              |         |               |       |         | 2009/0130549 A1   | 5/2009  | Kelley et al.              |

\* cited by examiner

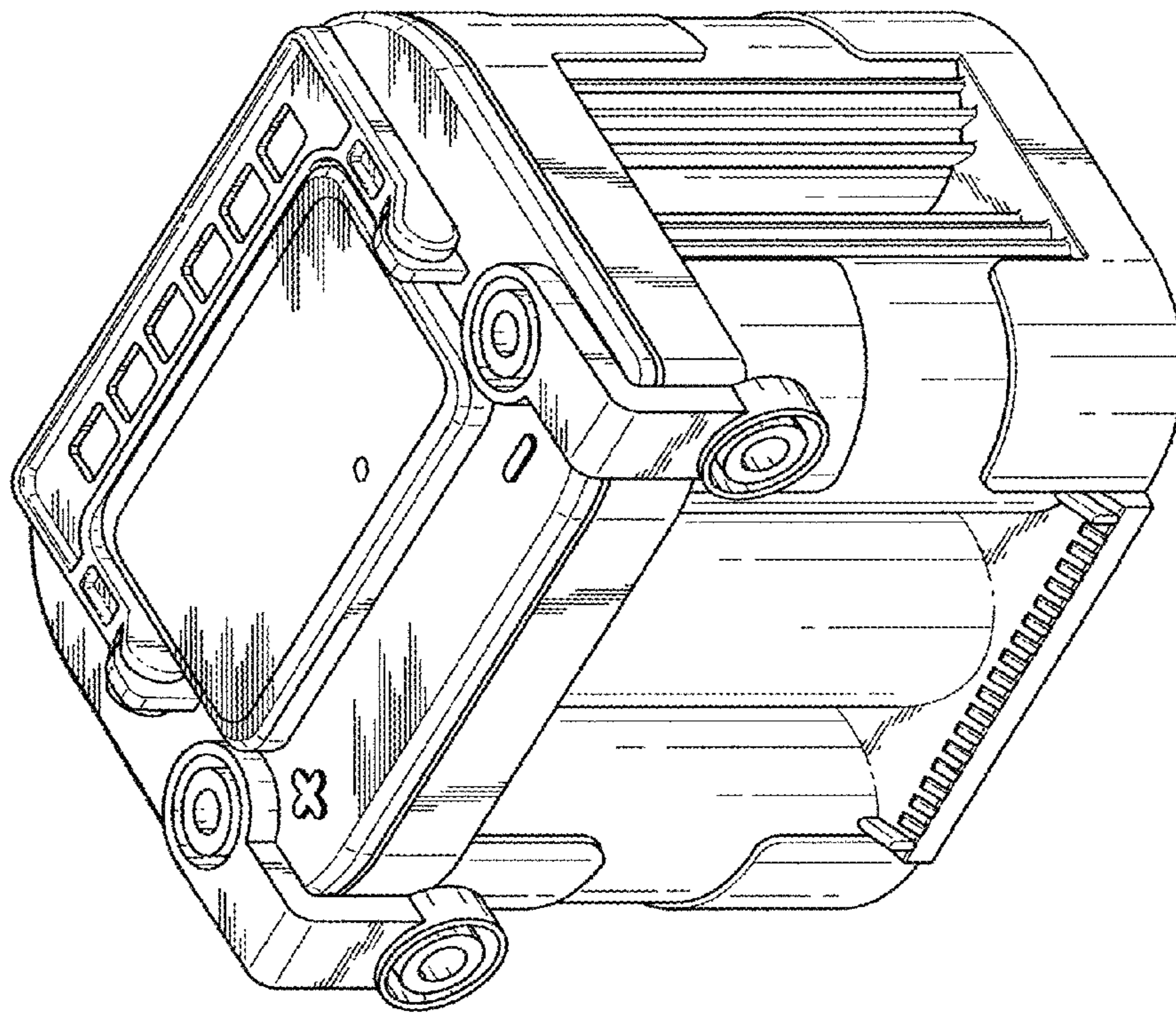


FIG. 1

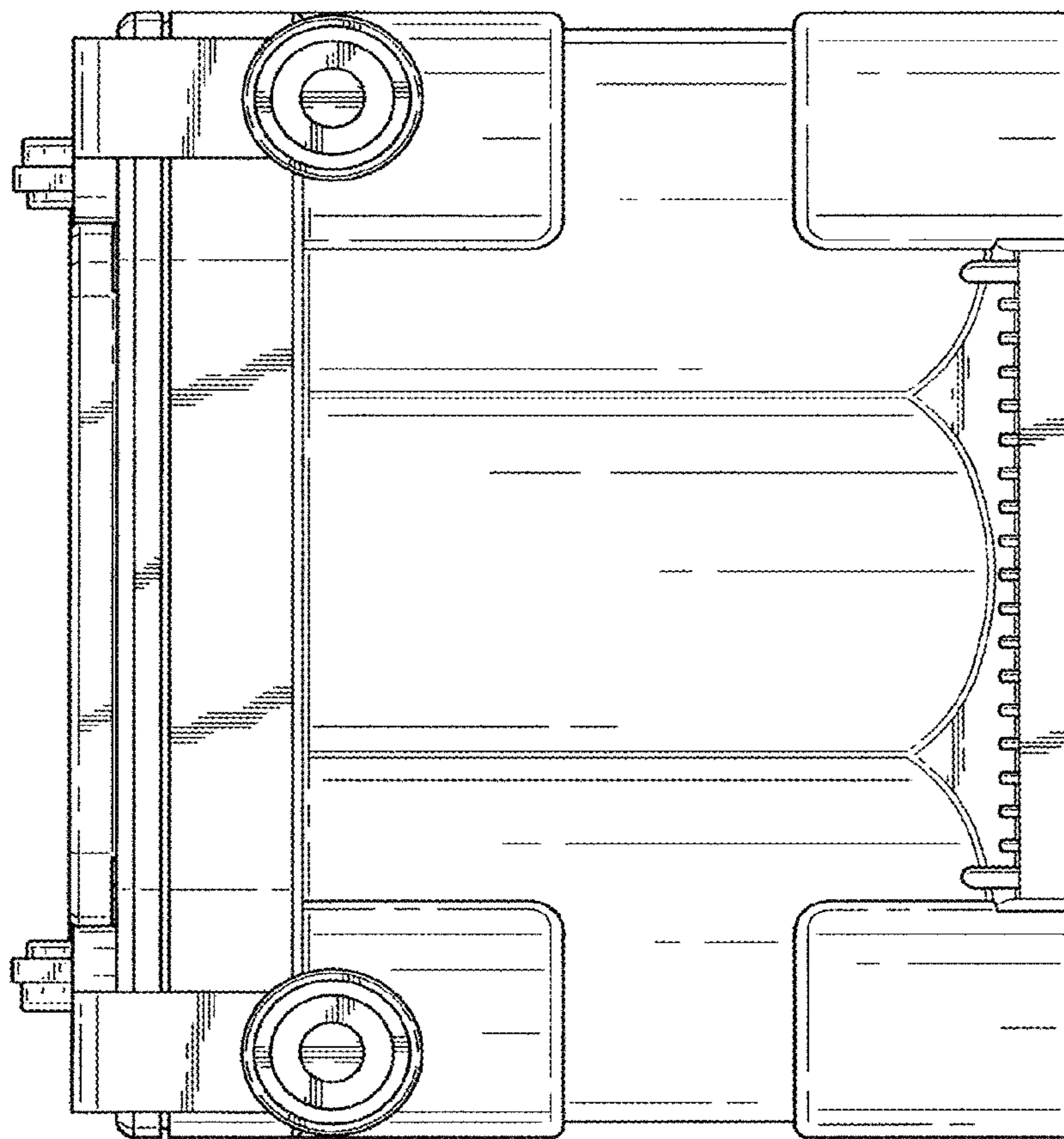


FIG. 2

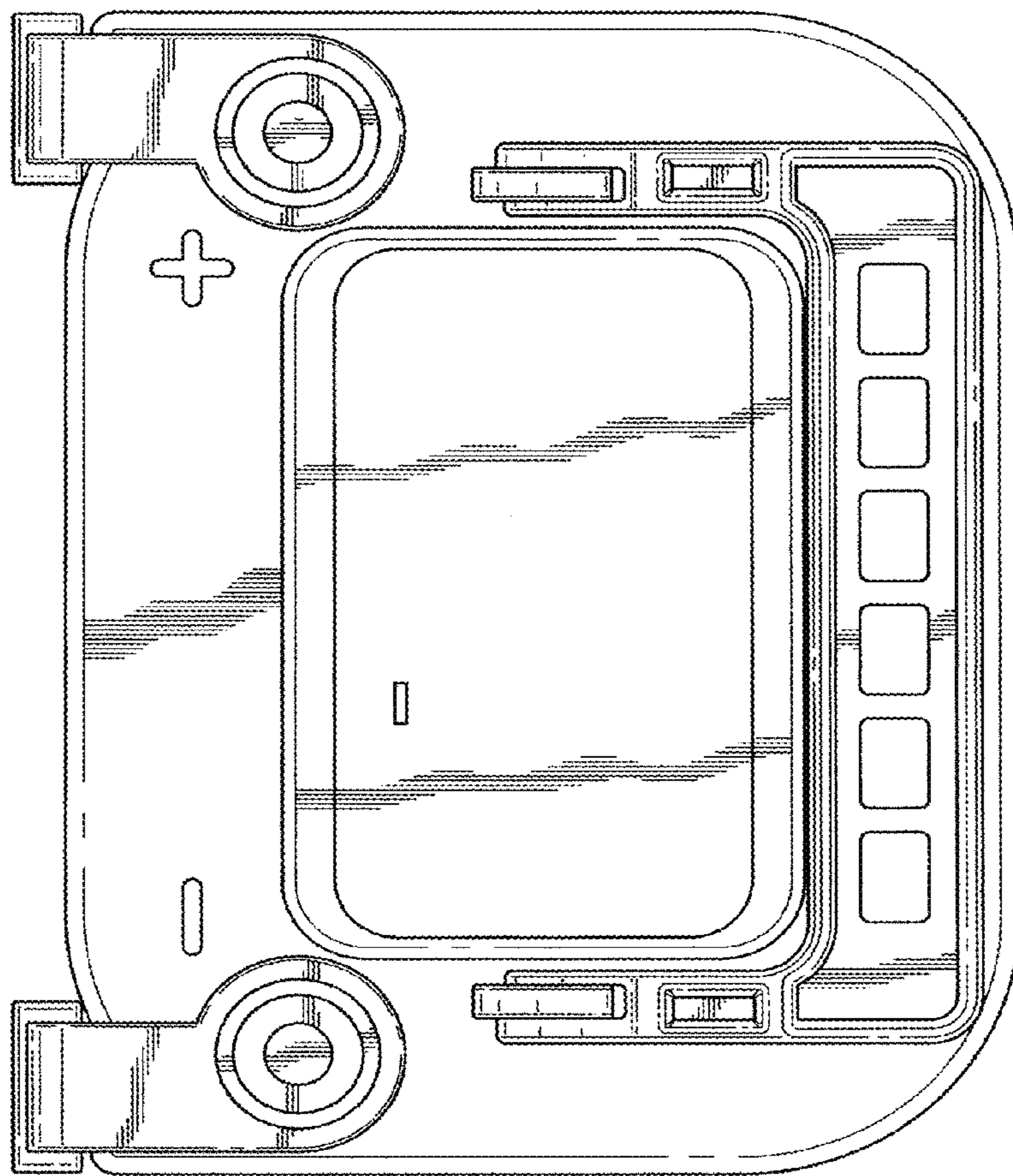


FIG. 3

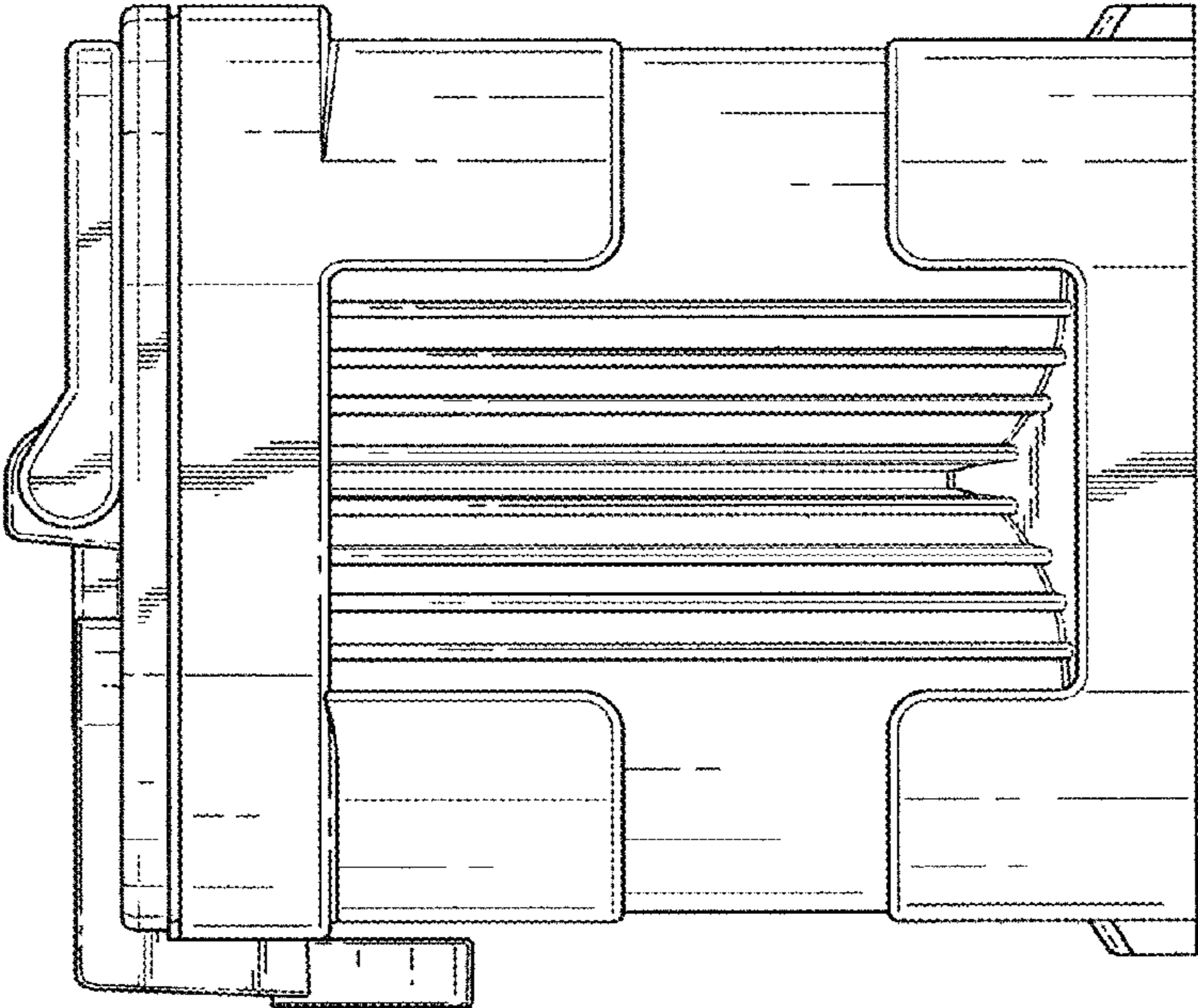


FIG. 4

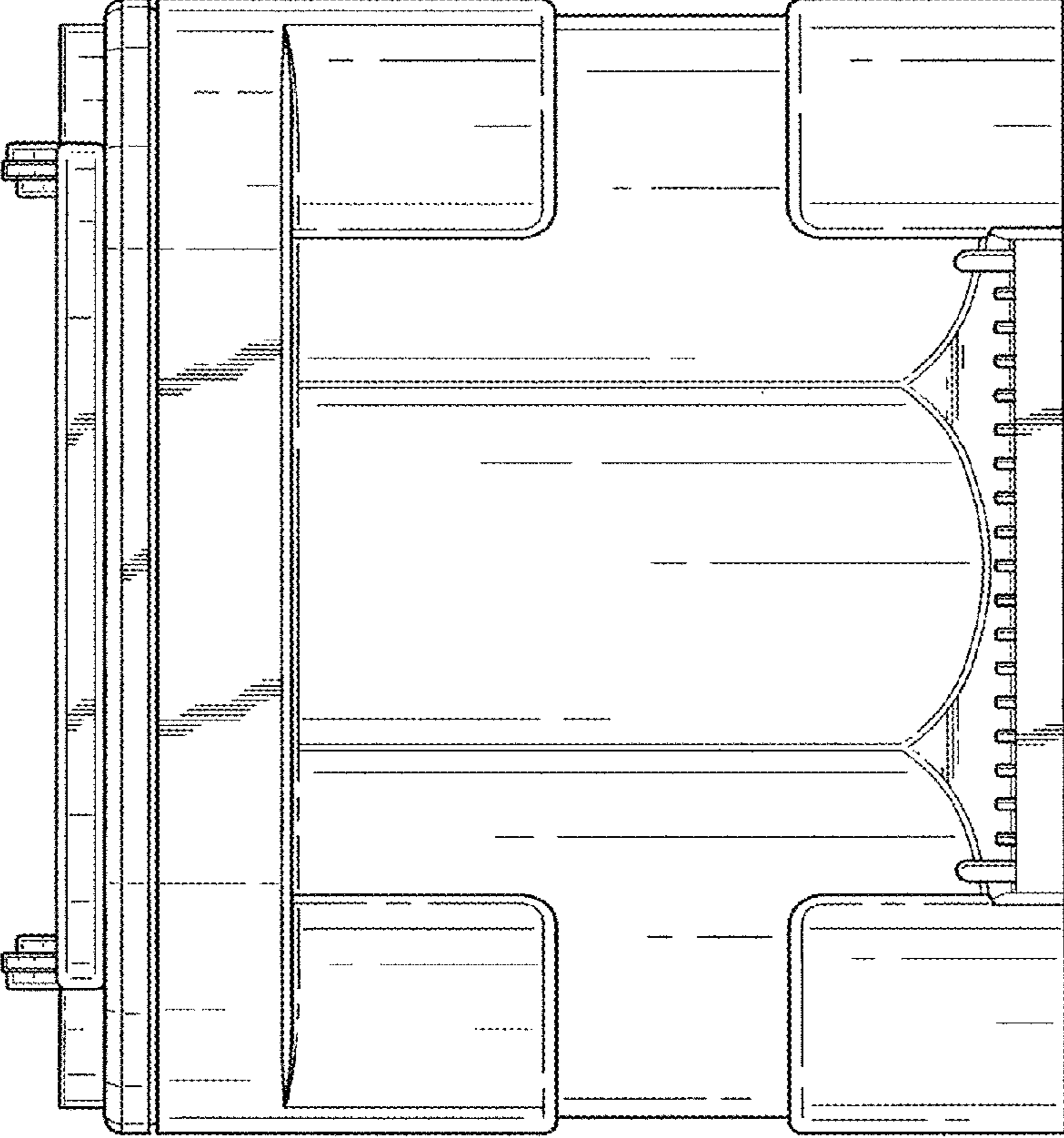


FIG. 5

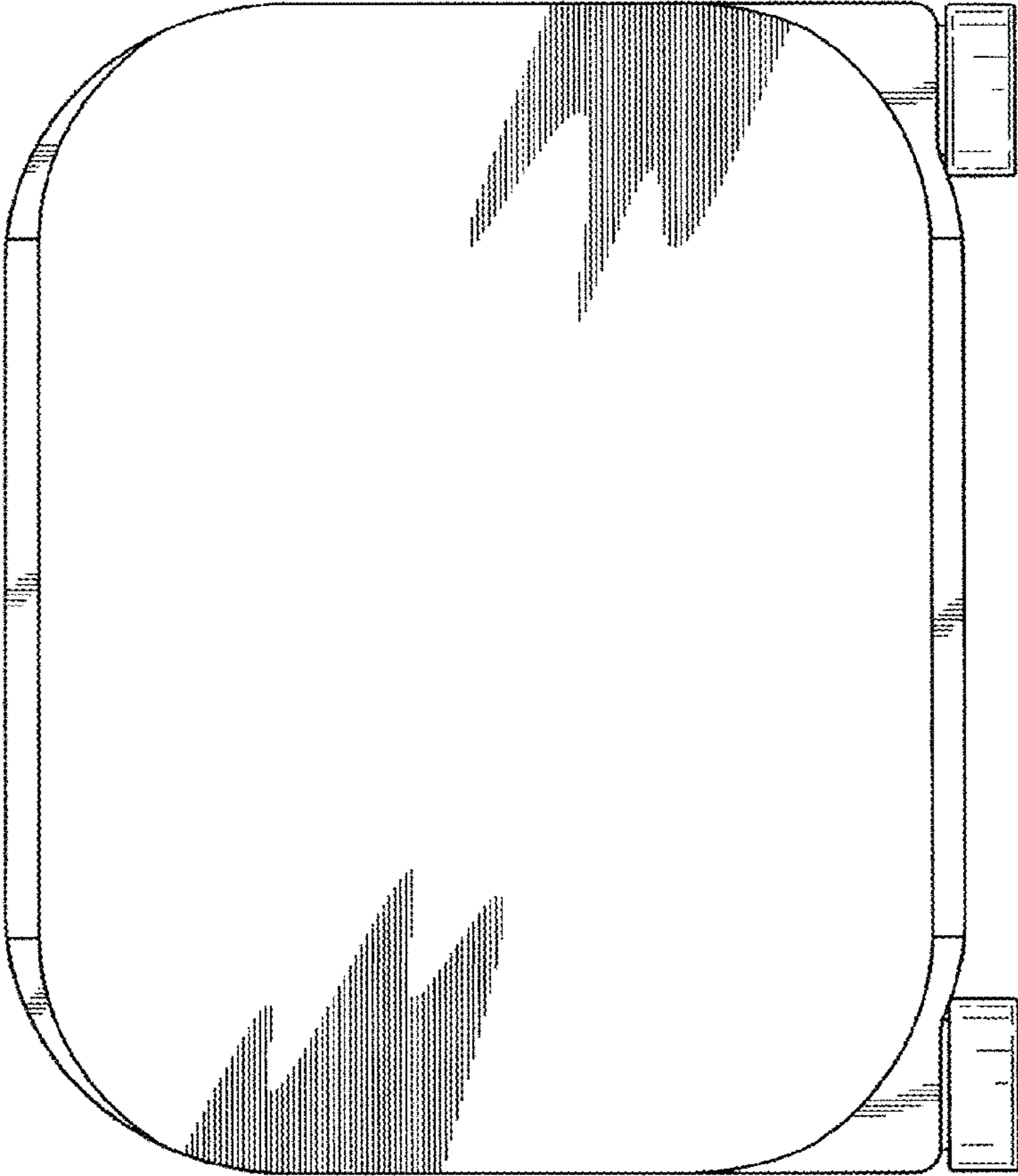


FIG. 6