



US00D675561S

(12) **United States Design Patent**  
**Chou**

(10) **Patent No.:** **US D675,561 S**

(45) **Date of Patent:** **\*\* Feb. 5, 2013**

(54) **EMBELLISHED DUST COVER FOR A VEHICLE LUG NUT**

(76) Inventor: **Aidy H. C. Chou**, City of Industry, CA (US)

(\*\*) Term: **14 Years**

(21) Appl. No.: **29/372,891**

(22) Filed: **Jan. 31, 2011**

(51) **LOC (9) Cl.** ..... **12-15**

(52) **U.S. Cl.** ..... **D12/607**

(58) **Field of Classification Search** ..... D12/607, D12/197; D8/310; D9/454, 453, 449; 401/68  
See application file for complete search history.

(56) **References Cited**

U.S. PATENT DOCUMENTS

D291,053 S \* 7/1987 Decursu ..... D8/310  
D431,512 S \* 10/2000 Pink ..... D12/197  
2006/0188315 A1\* 8/2006 Look et al. .... 401/68

\* cited by examiner

*Primary Examiner* — George D Kirschbaum

(74) *Attorney, Agent, or Firm* — Albert O. Cota

(57) **CLAIM**

The ornamental design for an embellished dust cover for a vehicle lug nut, as shown and described.

**DESCRIPTION**

FIG. 1 is an orthographic side view of an embellished dust cover for a vehicle lug nut, showing my new design;

FIG. 2 is an orthographic side view thereof shown with the embellished dust cover prior to being attached to a vehicle lug nut thereof;

FIG. 3 is a left side elevational view thereof shown with the embellished dust cover attached, the right side view being a mirror image thereof;

FIG. 4 is a left side elevational view thereof shown with the embellished dust cover prior to being attached to a vehicle lug nut thereof;

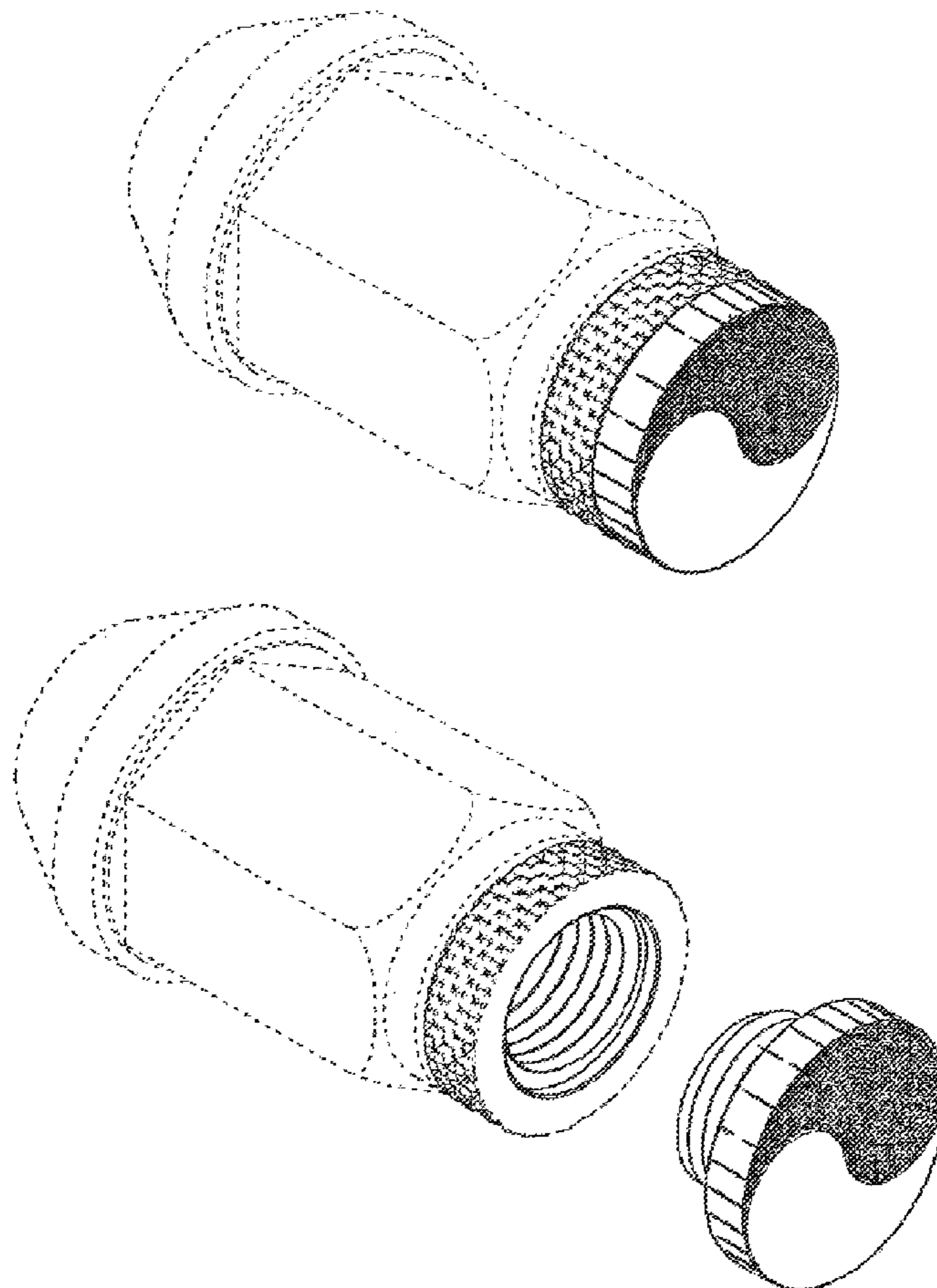
FIG. 5 is a top plan view thereof, the bottom plan view being a mirror image thereof;

FIG. 6 is a front elevational view thereof; and,

FIG. 7 is a rear elevational view thereof.

The section of the lug nut that attaches to a vehicle stud is shown in broken lines and forms not part of the claimed design.

**1 Claim, 3 Drawing Sheets**



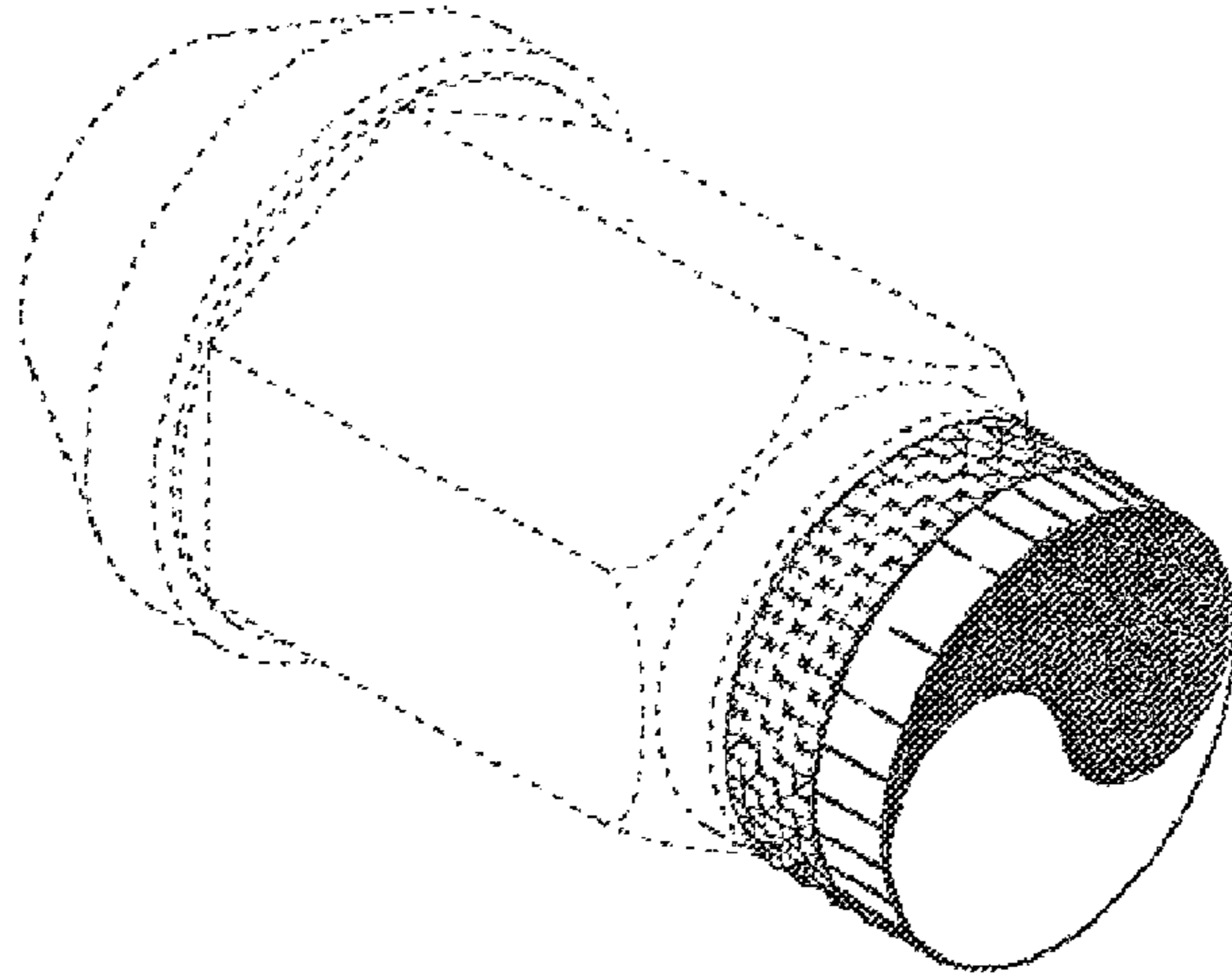


FIG 1

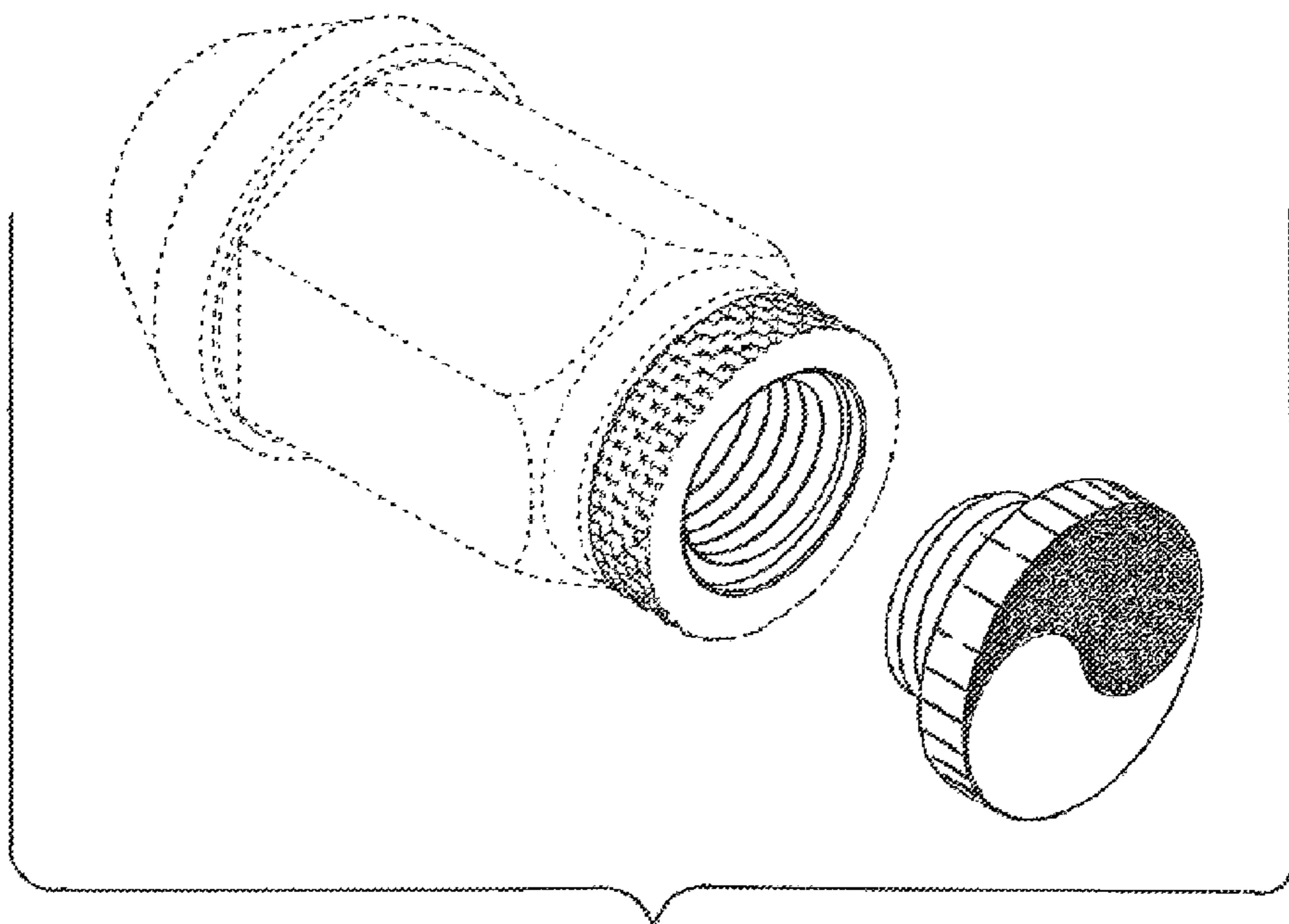


FIG 2

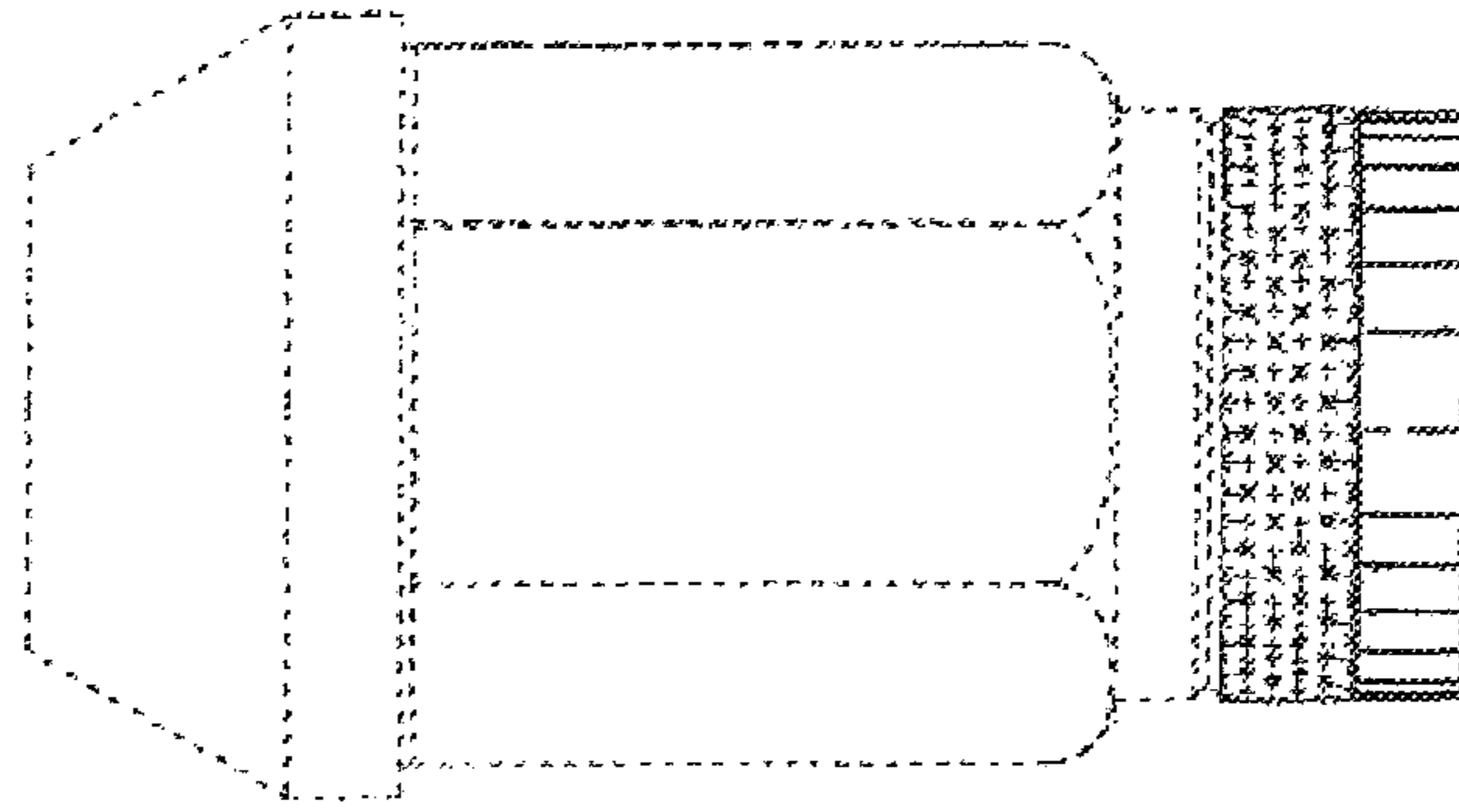


FIG 3

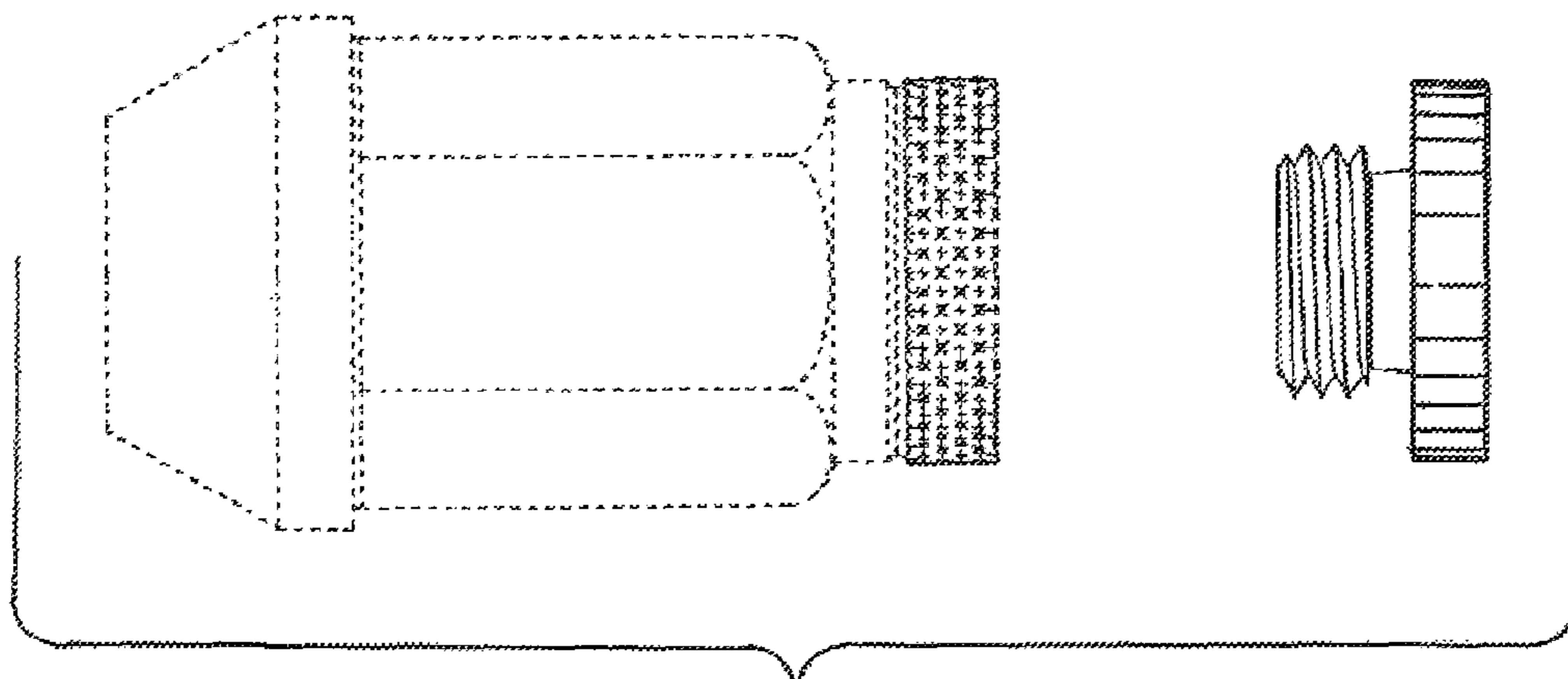


FIG 4

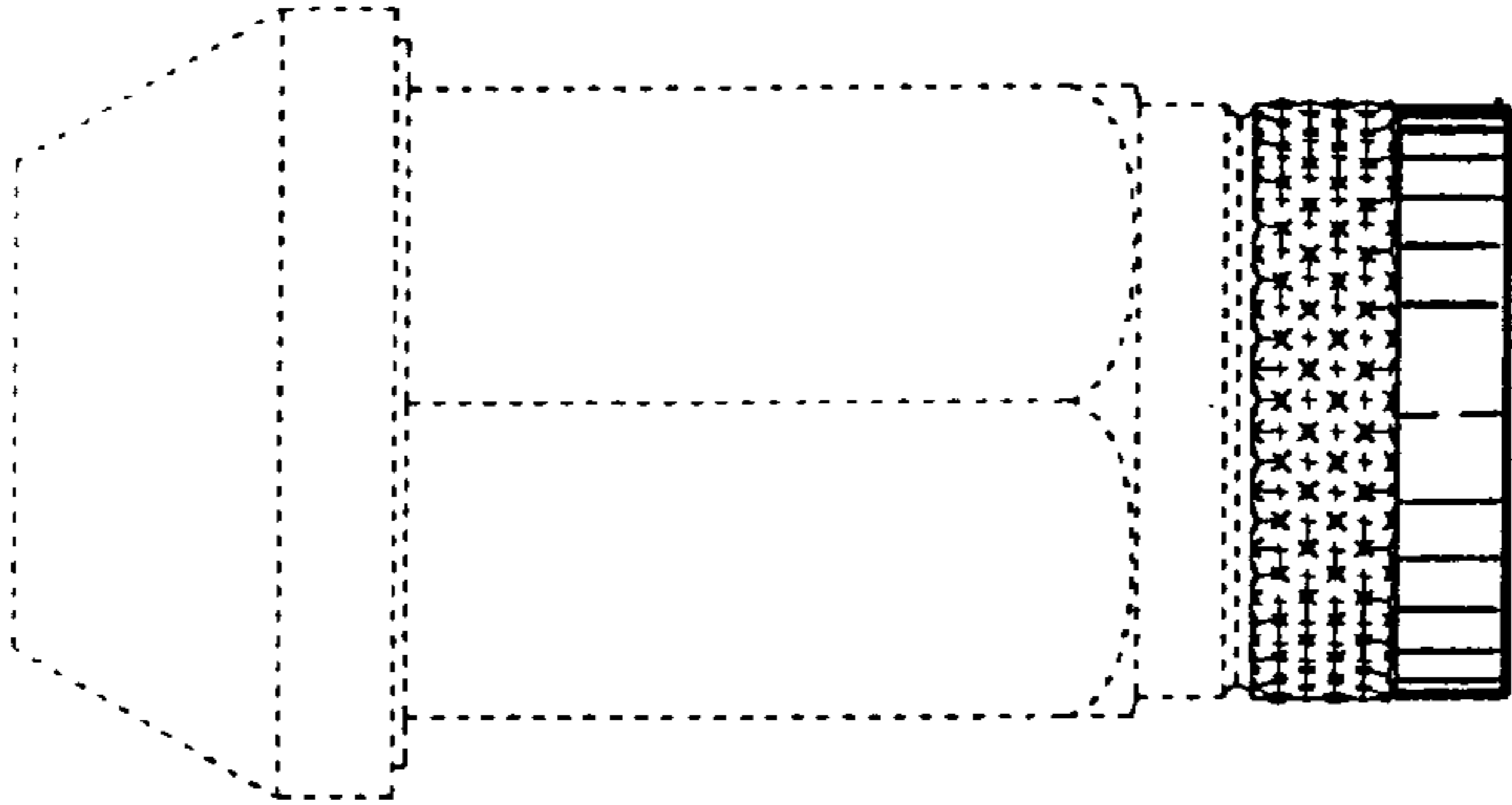


FIG 5

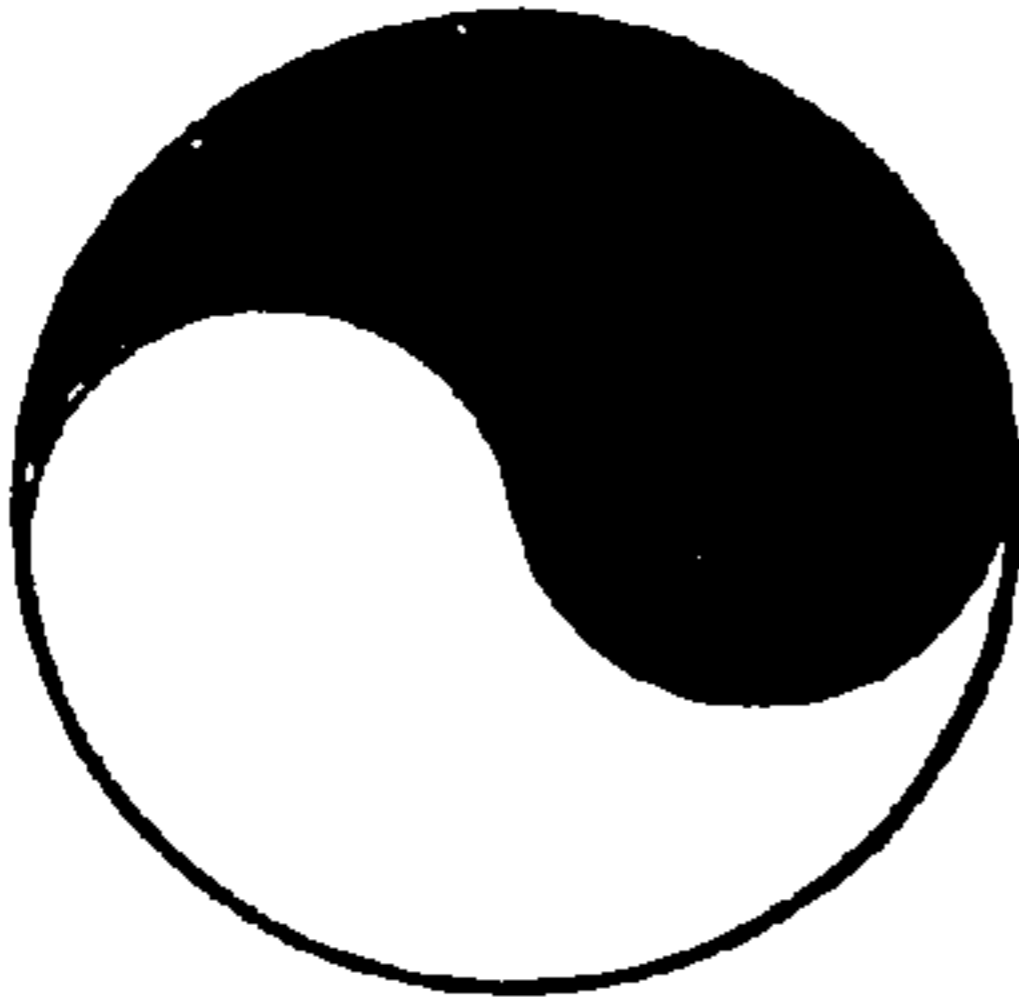


FIG 6

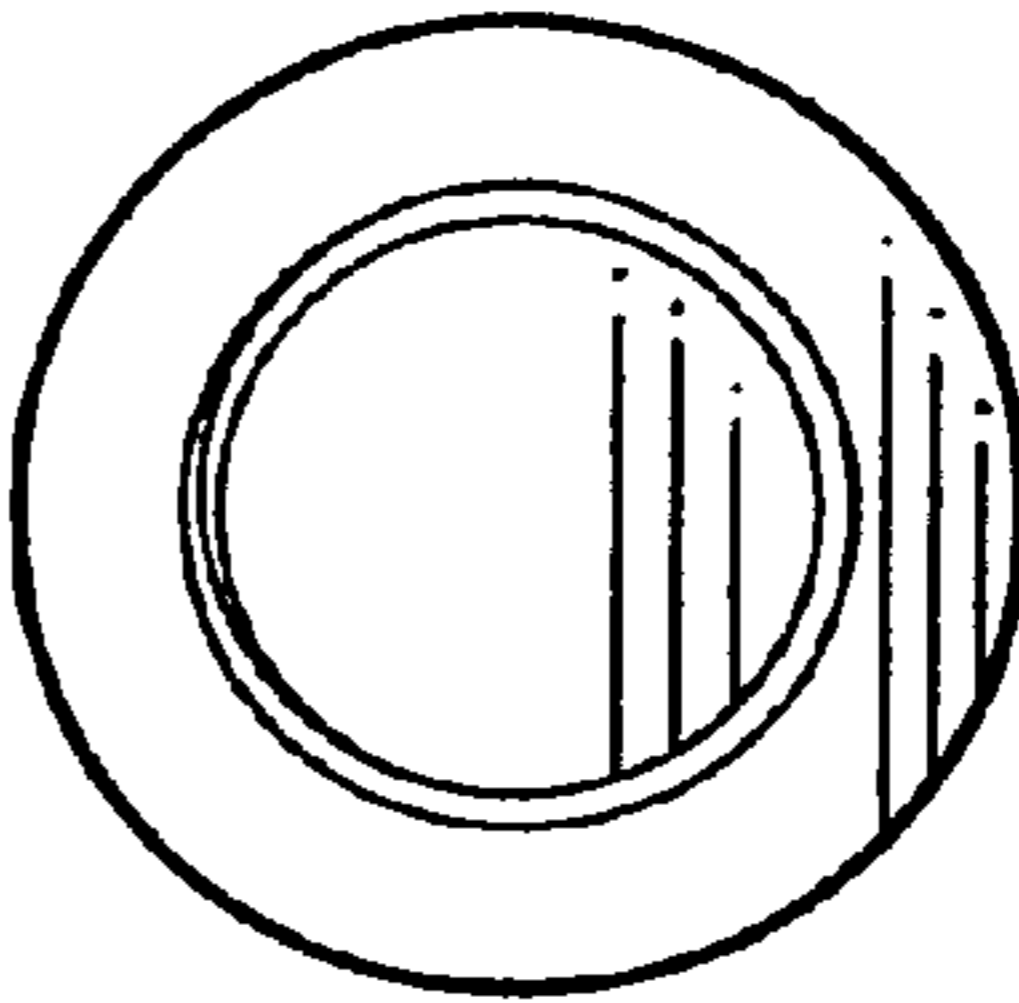


FIG 7