



US00D675552S

(12) **United States Design Patent**  
**Dallas, Sr.**

(10) **Patent No.:** **US D675,552 S**  
(45) **Date of Patent:** **\*\* Feb. 5, 2013**

(54) **DEFLECTOR PLATE**

(76) Inventor: **Wade Keith Dallas, Sr.**, East Palatka,  
FL (US)

(\*\*) Term: **14 Years**

(21) Appl. No.: **29/373,196**

(22) Filed: **May 28, 2008**

(51) **LOC (9) Cl.** ..... **12-16**

(52) **U.S. Cl.** ..... **D12/194**

(58) **Field of Classification Search** ..... D12/194,  
D12/126; D15/5; 293/113; 29/890.08; 180/89.2,  
180/296, 309; 181/247-249, 264, 282, 239-241,  
181/227, 228; 60/303, 313, 323; 138/44,  
138/103-109, 37-39

See application file for complete search history.

(56) **References Cited**

**U.S. PATENT DOCUMENTS**

D159,098 S \* 6/1950 Russell ..... D12/194  
D159,864 S \* 8/1950 Russell ..... D12/194  
D160,544 S \* 10/1950 Russell ..... D12/194

D165,874 S \* 2/1952 Russell ..... D12/194  
D174,659 S \* 5/1955 Russell ..... D12/194  
2,933,344 A \* 4/1960 Shumaker ..... 296/91  
3,072,431 A \* 1/1963 Shumaker ..... 296/91  
D351,579 S \* 10/1994 Simpson ..... D12/194  
D368,247 S \* 3/1996 Jones ..... D12/194  
D463,328 S \* 9/2002 Sawabe ..... D12/126  
D523,787 S \* 6/2006 Johnson ..... D12/126

\* cited by examiner

*Primary Examiner* — Michael A Pratt

(57) **CLAIM**

The ornamental design for a deflector plate, as shown and described.

**DESCRIPTION**

FIG. 1 is a left side rear view of invention;  
FIG. 2 is a Right Side rear view;  
FIG. 3 is a Right Side top view; and,  
FIG. 4 is a Left Side top view.

The broken line showing of portions of the deflector plate is included for the purpose of illustrating environment and forms no part of the claimed design.

**1 Claim, 2 Drawing Sheets**

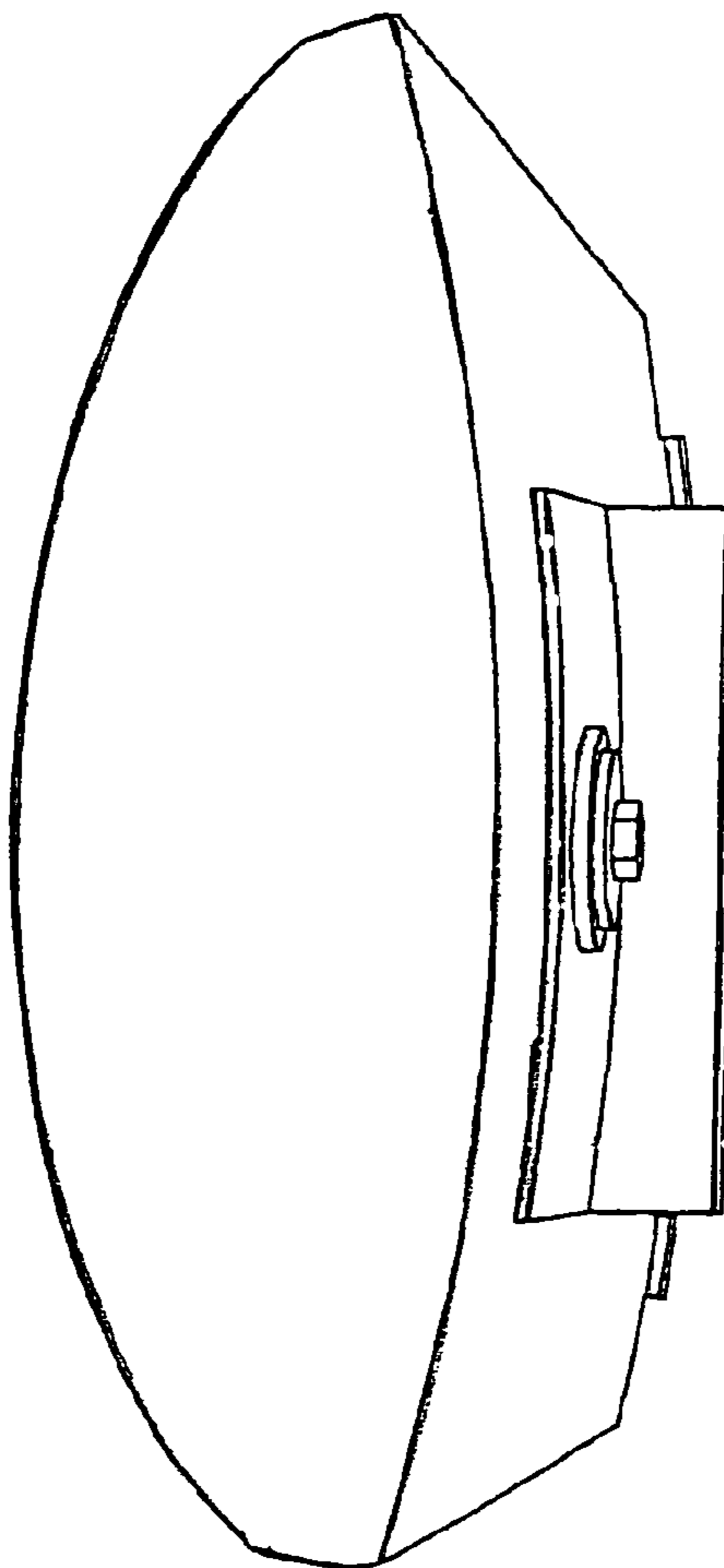


Fig. 1

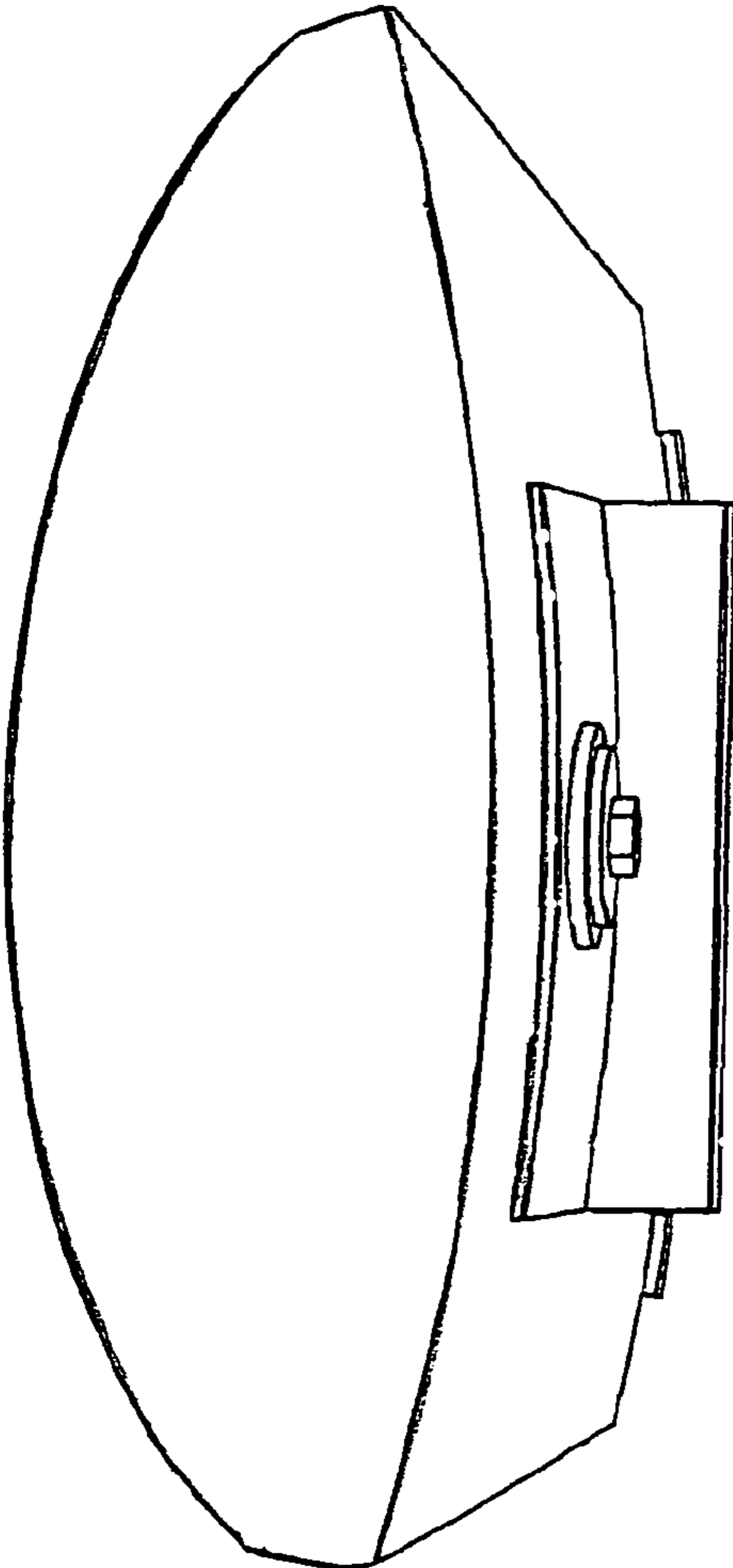


Fig. 2

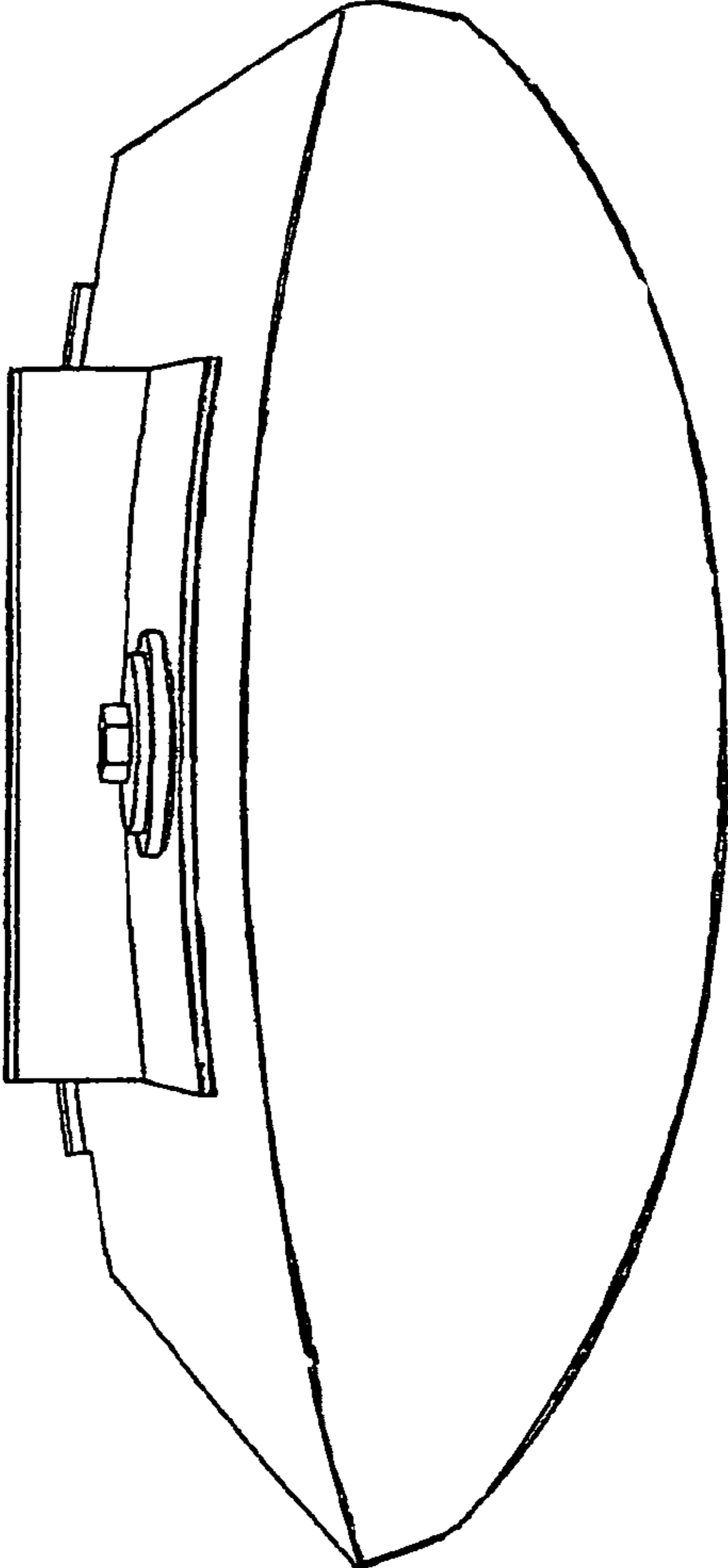


Fig. 3

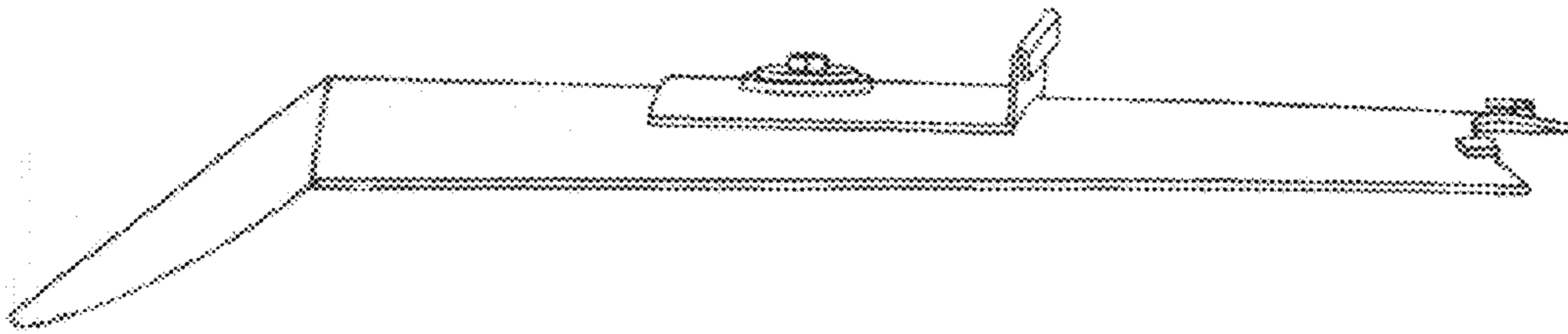


Fig. 4

