



US00D675551S

(12) **United States Design Patent**
Noborio

(10) **Patent No.:** **US D675,551 S**
(45) **Date of Patent:** **** Feb. 5, 2013**

(54) **BICYCLE BRAKE**
(75) Inventor: **Daisuke Noborio**, Osaka (JP)
(73) Assignee: **Shimano Inc.**, Osaka (JP)
(**) Term: **14 Years**
(21) Appl. No.: **29/411,594**
(22) Filed: **Jan. 24, 2012**

(30) **Foreign Application Priority Data**
Sep. 30, 2011 (EM) 001925249-0001
(51) **LOC (9) Cl.** **12-16**
(52) **U.S. Cl.** **D12/179**
(58) **Field of Classification Search** D12/179,
D12/180, 111; 74/489, 480 R, 500.5, 501.5 R,
74/502.2, 502.6; 188/24.11-24.22, 2 D,
188/73.1, 73.3, 73.31-73.39, 73.43, 73.45,
188/250 B, 250 E, 250 G
See application file for complete search history.

(56) **References Cited**
U.S. PATENT DOCUMENTS
D269,424 S * 6/1983 Yoshigai D12/179
D427,124 S * 6/2000 Terasawa D12/180
D427,125 S * 6/2000 Hanamura D12/180

6,178,367 B1 * 1/2001 Li 188/24.11
6,349,799 B1 * 2/2002 Kariyama 188/24.22
6,412,605 B2 * 7/2002 Campagnolo 188/24.11
D562,746 S * 2/2008 Wehage D12/179
7,677,365 B2 * 3/2010 Nago 188/24.19

* cited by examiner

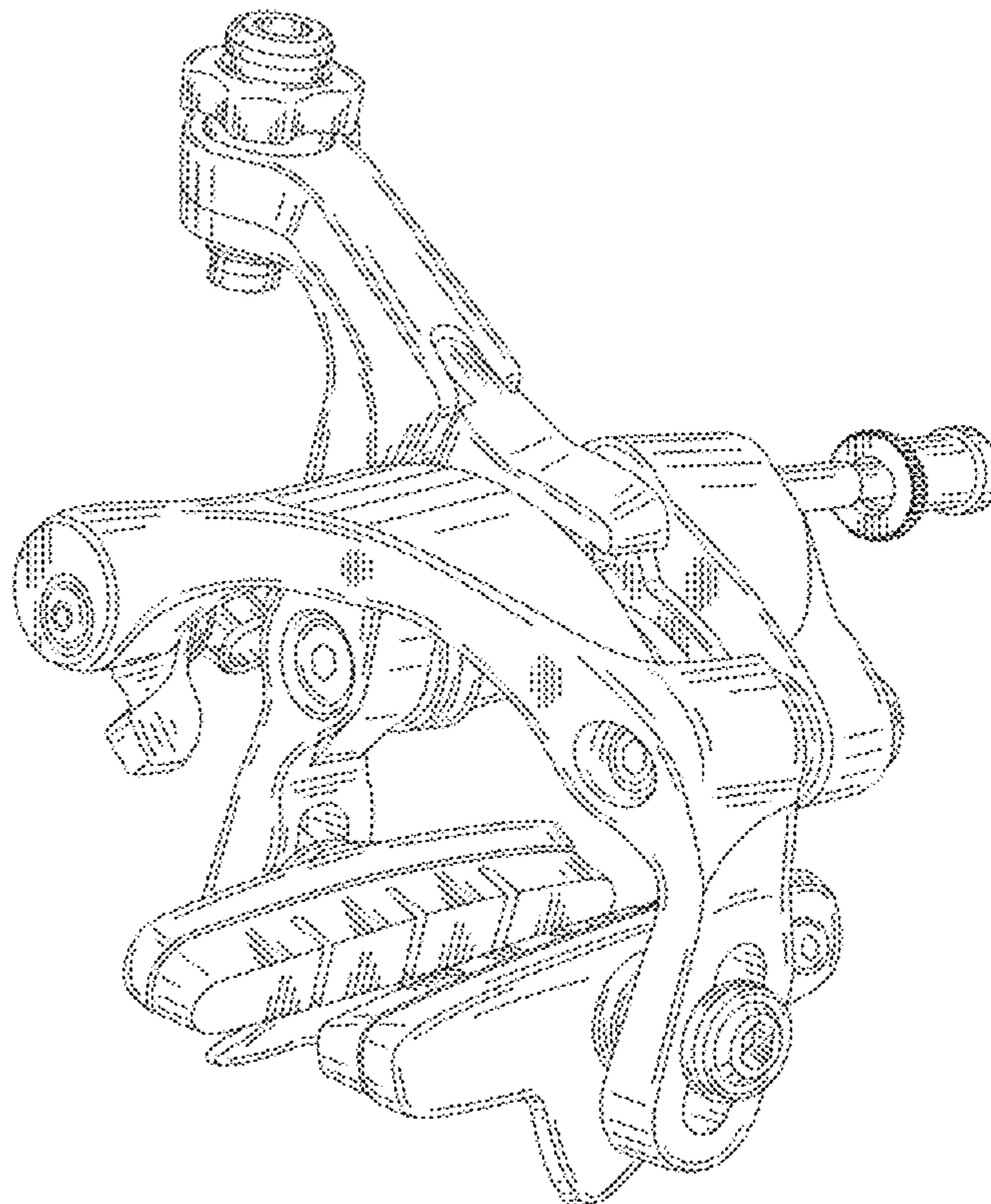
Primary Examiner — Susan M Lee
Assistant Examiner — Linda G. Brooks
(74) *Attorney, Agent, or Firm* — Global IP Counselors, LLP

(57) **CLAIM**
The ornamental design for a bicycle brake, as shown and described.

DESCRIPTION

FIG. 1 is a perspective view of a bicycle brake in accordance with my new design;
FIG. 2 is a front elevational view of the bicycle brake of FIG. 1;
FIG. 3 is a rear elevational view of the bicycle brake of FIG. 1;
FIG. 4 is a first side elevational view of the bicycle brake of FIG. 1;
FIG. 5 is a second side elevational view of the bicycle brake of FIG. 1;
FIG. 6 is a top plan view of the bicycle brake of FIG. 1; and
FIG. 7 is a bottom plan view of the bicycle brake of FIG. 1.

1 Claim, 7 Drawing Sheets



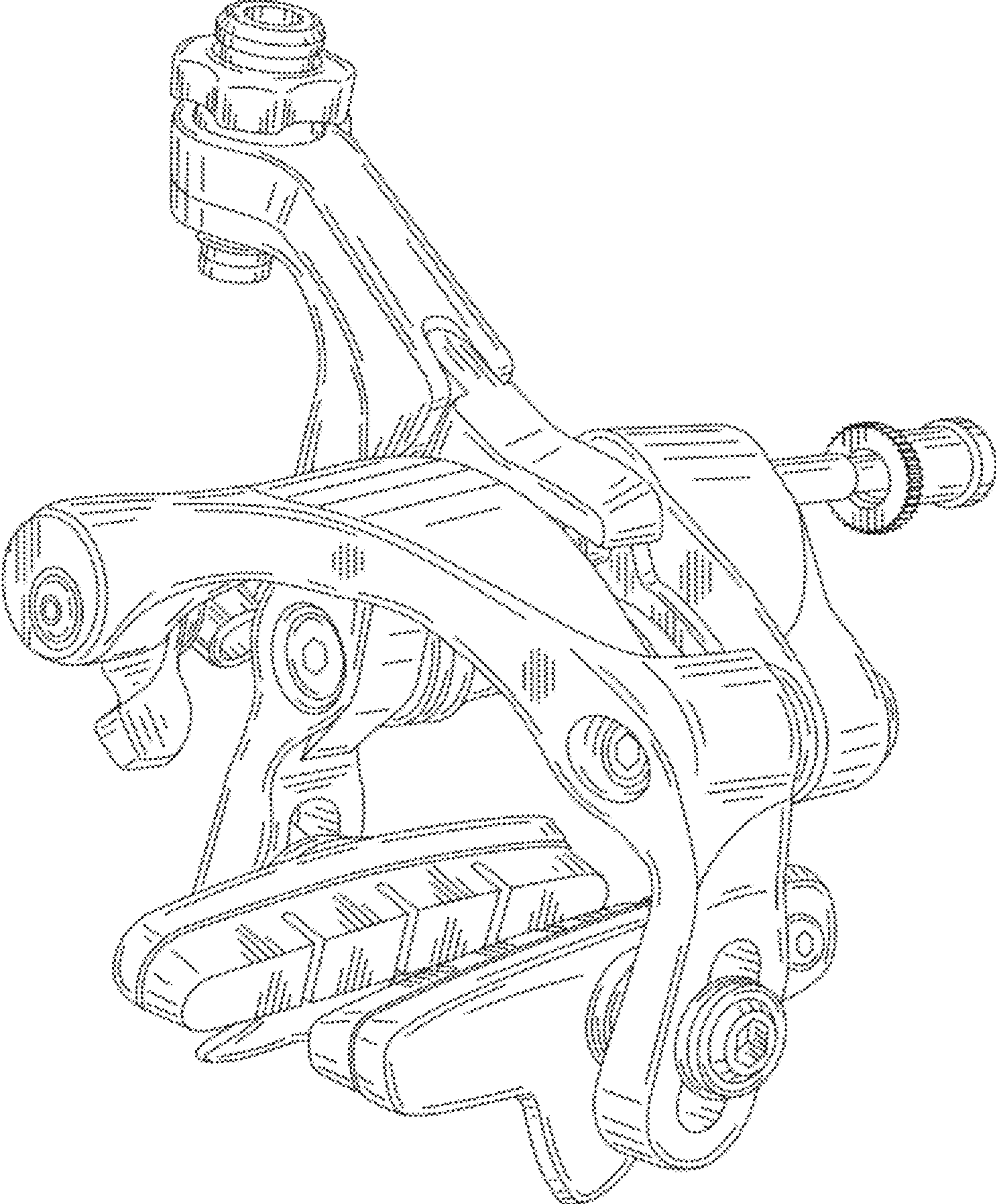


FIG. 1

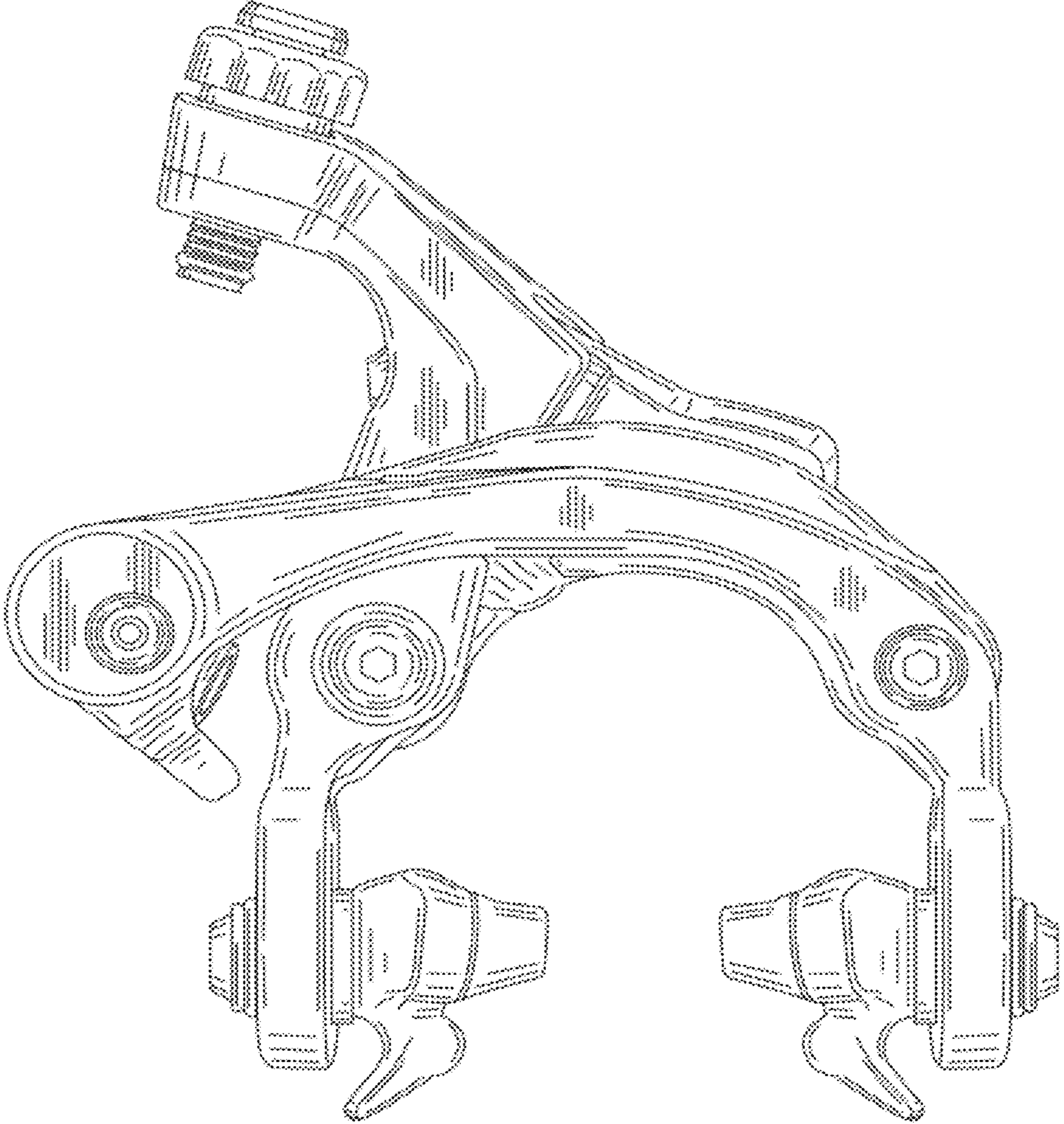


FIG. 2

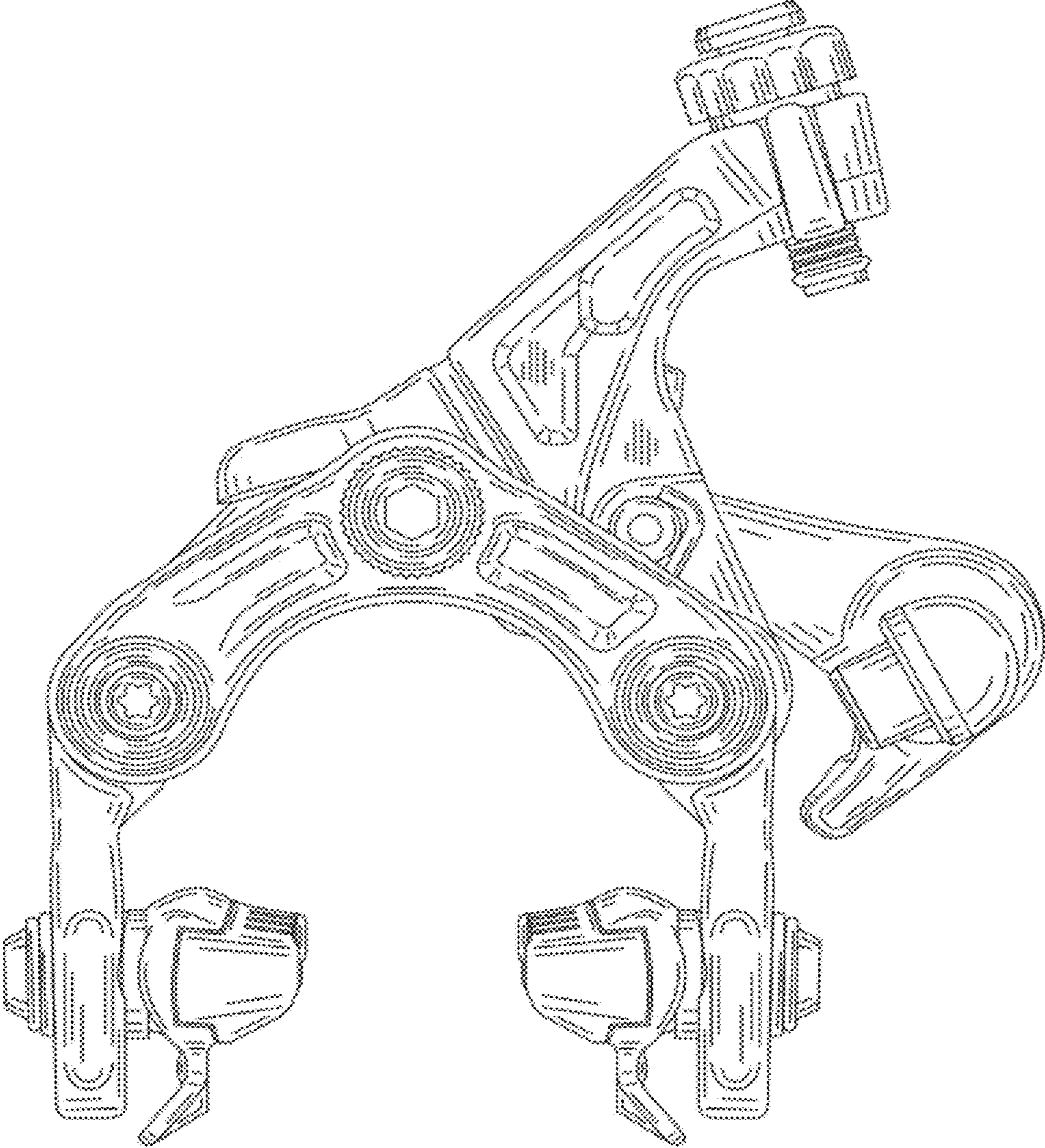


FIG. 3

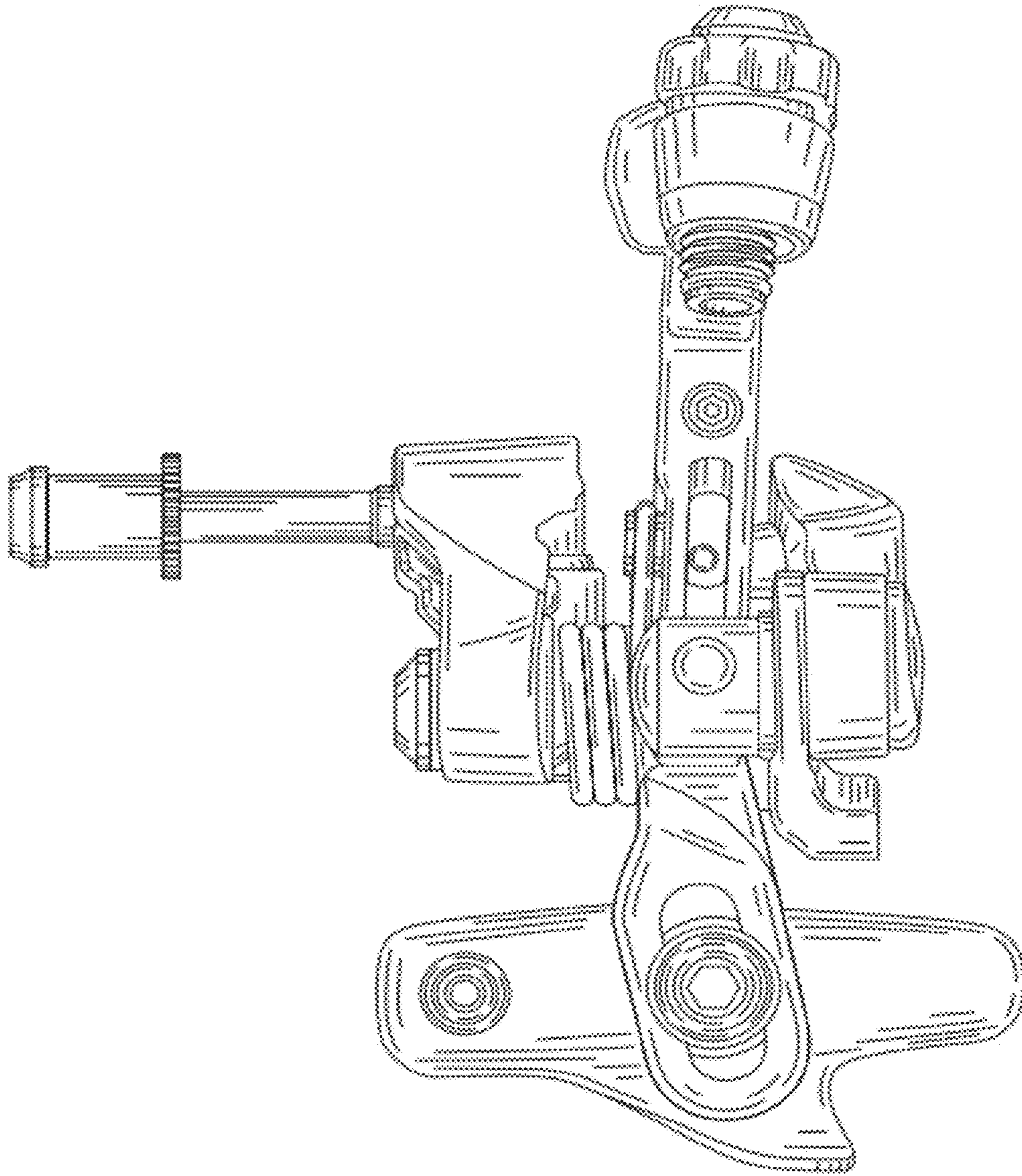


FIG. 4

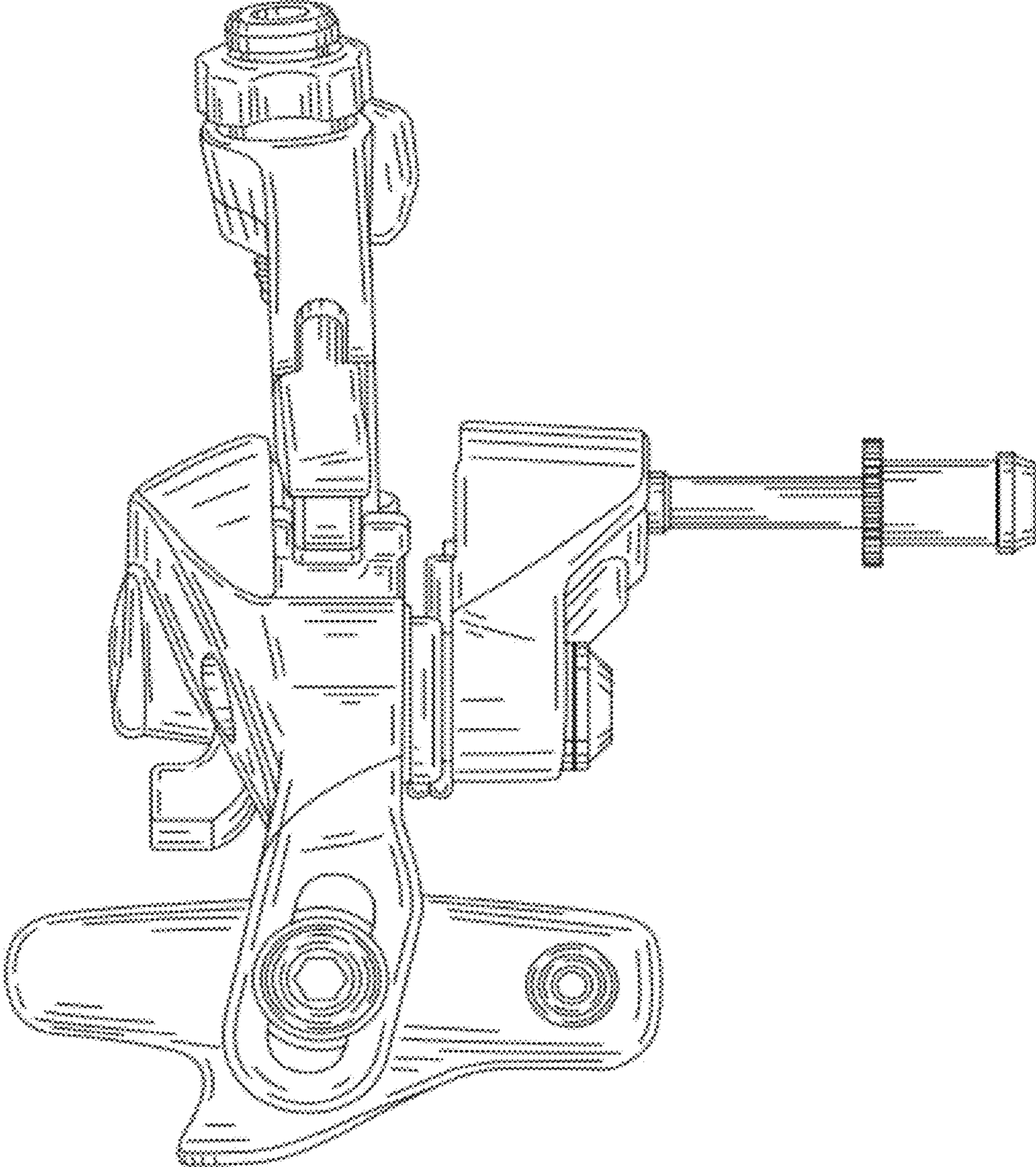


FIG. 5

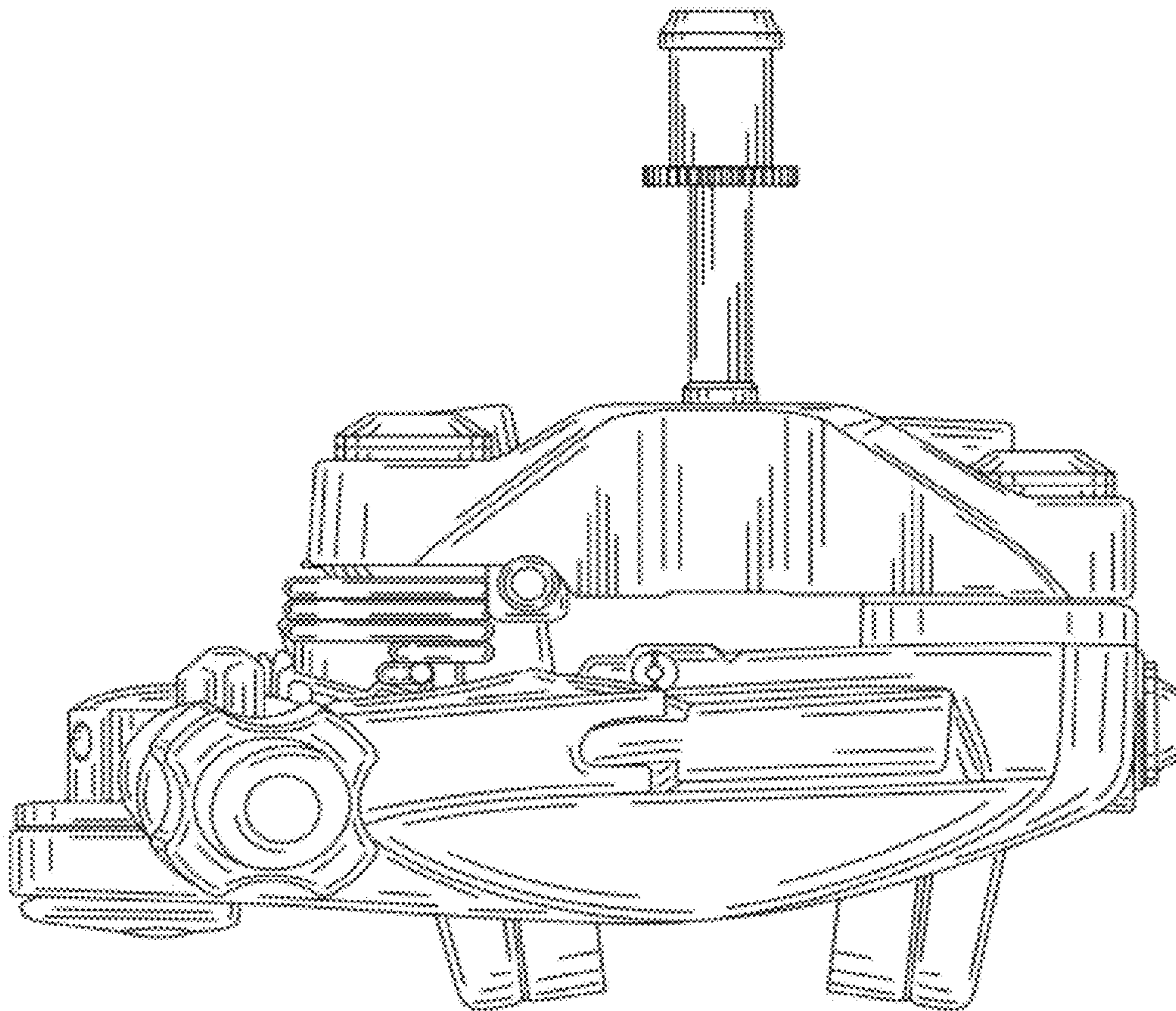


FIG. 6

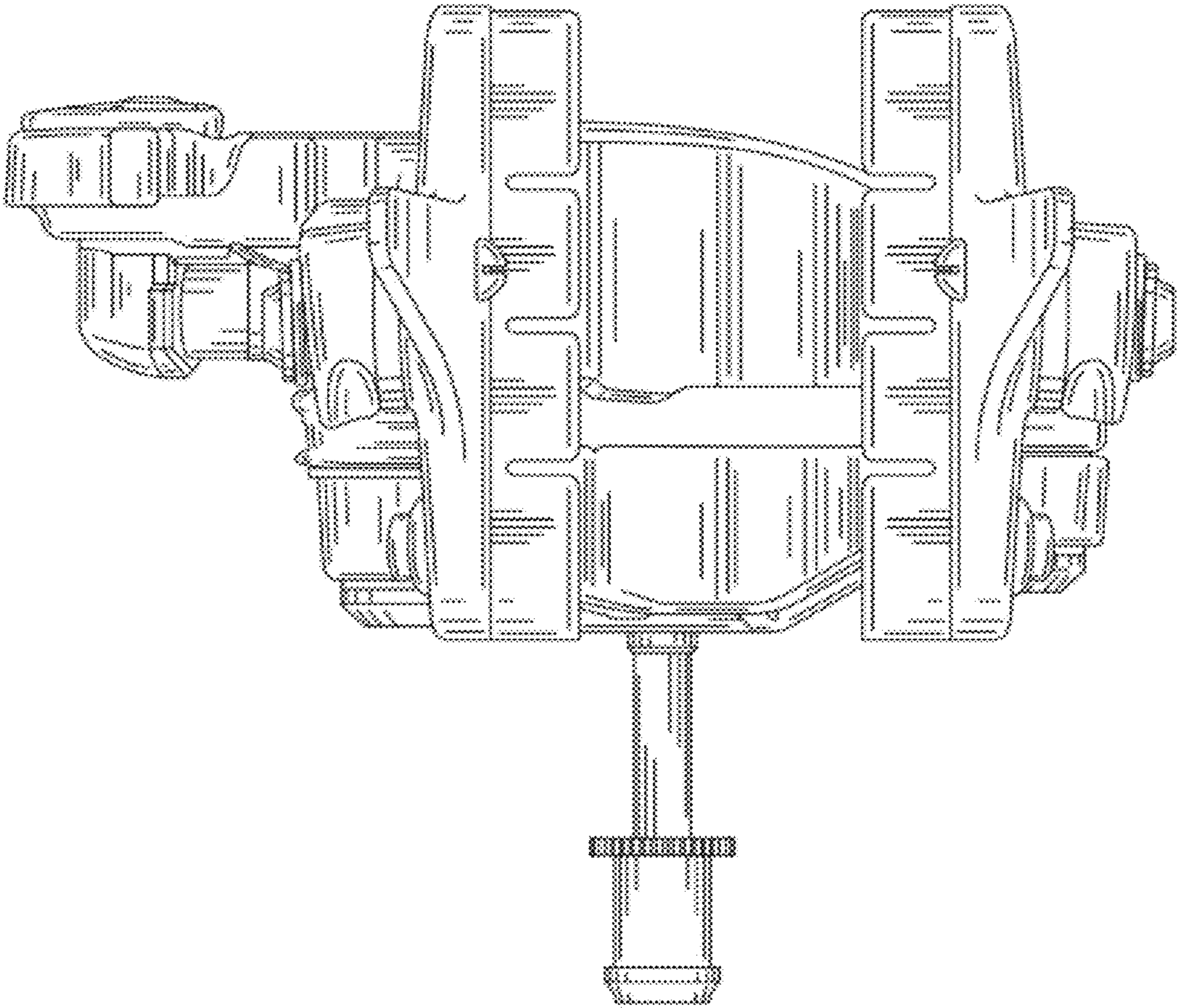


FIG. 7