



US00D675549S

(12) **United States Design Patent**
Noborio

(10) **Patent No.:** **US D675,549 S**
(45) **Date of Patent:** **** Feb. 5, 2013**

(54) **BICYCLE CRANK ASSEMBLY**

D607,784 S * 1/2010 Gisbert D12/123
7,686,721 B2 * 3/2010 Tabe et al. 474/152
7,753,815 B2 * 7/2010 Saifuddin et al. 474/160

(75) Inventor: **Daisuke Noborio**, Osaka (JP)

* cited by examiner

(73) Assignee: **Shimano Inc.**, Osaka (JP)

Primary Examiner — Susan M Lee

(**) Term: **14 Years**

Assistant Examiner — Linda G. Brooks

(21) Appl. No.: **29/411,685**

(74) *Attorney, Agent, or Firm* — Global IP Counselors, LLP

(22) Filed: **Jan. 25, 2012**

(57) **CLAIM**

The ornamental design for a bicycle crank assembly, as shown and described.

(30) **Foreign Application Priority Data**

DESCRIPTION

Sep. 30, 2011 (EM) 001925173-0001

(51) **LOC (9) Cl.** **12-11**

(52) **U.S. Cl.** **D12/123**

(58) **Field of Classification Search** D12/123,
D12/111; 474/151, 152, 155-158, 160-162,
474/164, 144; 74/594.1-594.4; 280/259,
280/260

See application file for complete search history.

FIG. 1 is a perspective view of a bicycle crank assembly in accordance with my new design;

FIG. 2 is an outside elevational view of the bicycle crank assembly of FIG. 1;

FIG. 3 is an inside elevational view of the bicycle crank assembly of FIG. 1;

FIG. 4 is a first side elevational view of the bicycle crank assembly of FIG. 1;

FIG. 5 is a second side elevational view of the bicycle crank assembly of FIG. 1;

FIG. 6 is a top plan view of the bicycle crank assembly of FIG. 1; and,

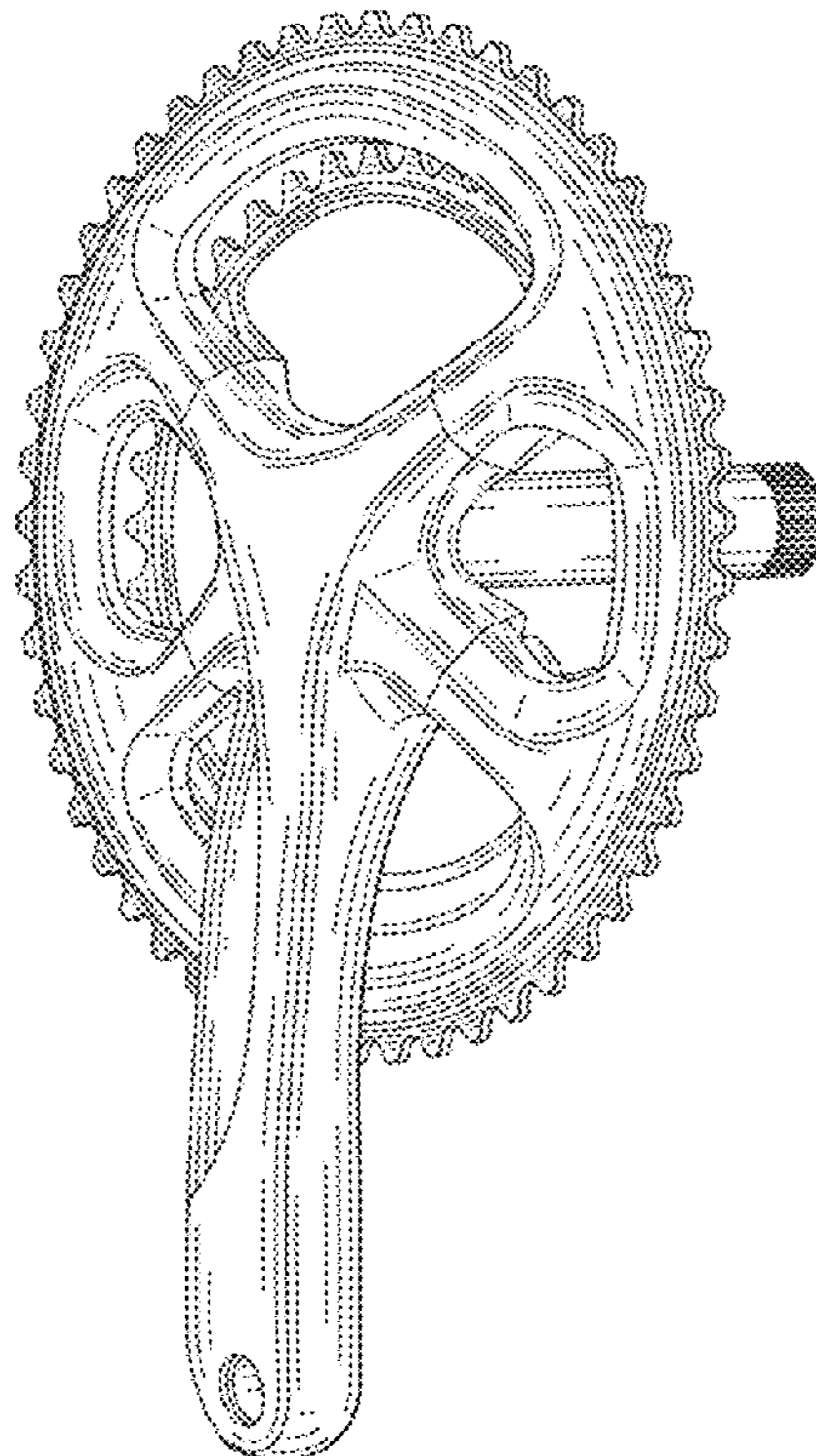
FIG. 7 is a bottom plan view of the bicycle crank assembly of FIG. 1.

(56) **References Cited**

U.S. PATENT DOCUMENTS

D532,342 S * 11/2006 Arakawa D12/123
D553,055 S * 10/2007 Tokumoto D12/123
D555,048 S * 11/2007 Hanamura D12/123
D580,303 S * 11/2008 Okada D12/123
D600,166 S * 9/2009 Tokumoto D12/123

1 Claim, 7 Drawing Sheets



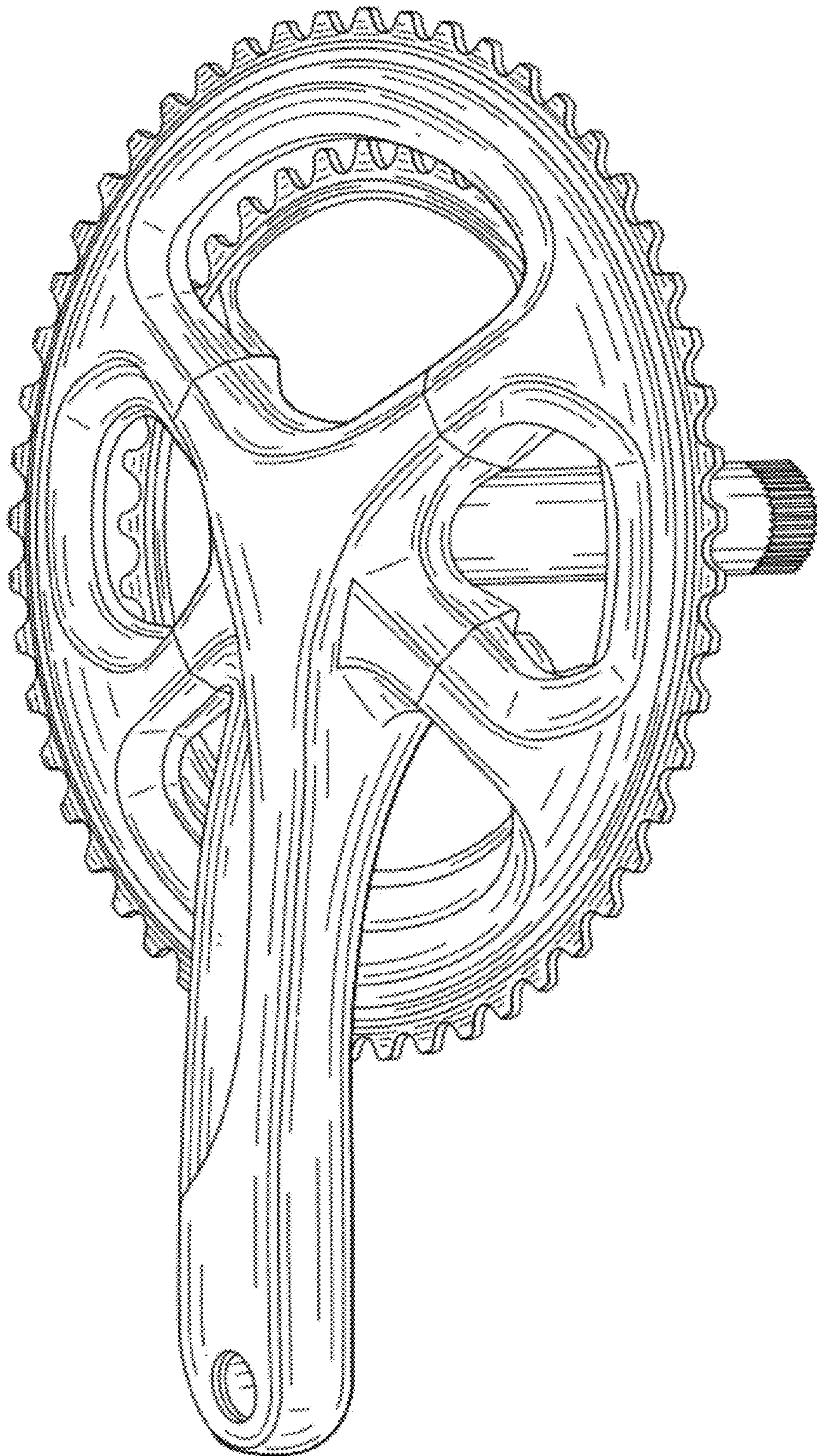


FIG. 1

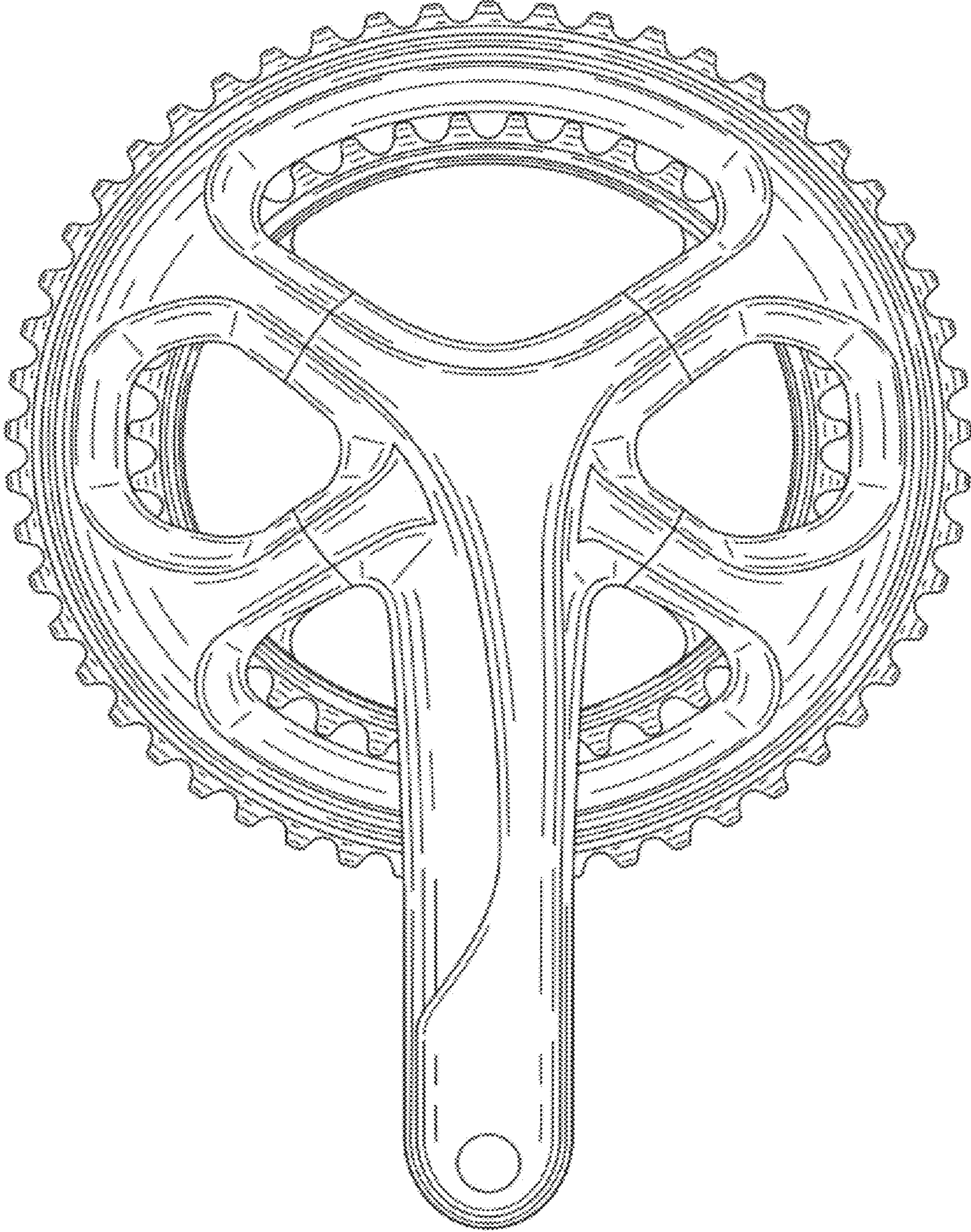


FIG. 2

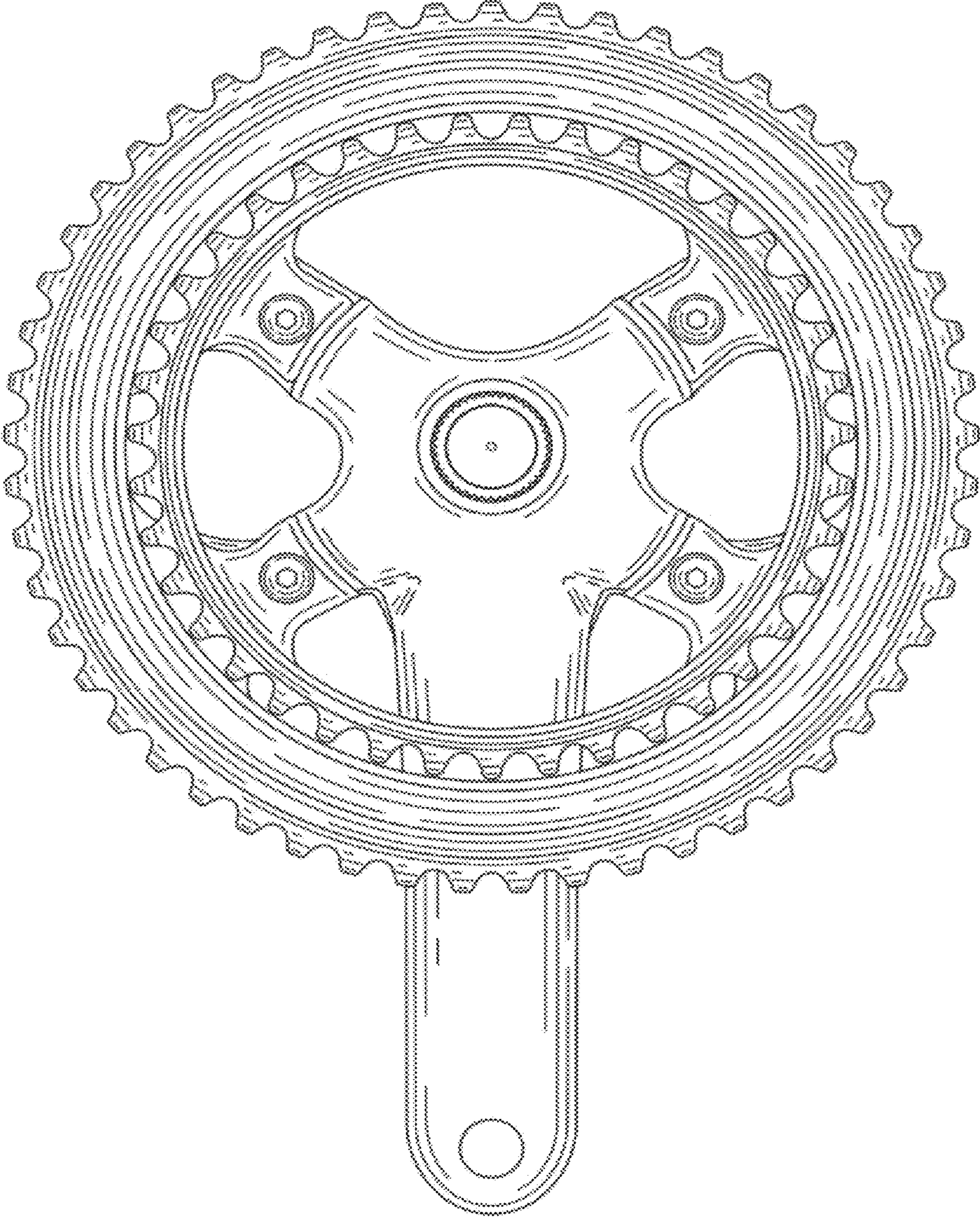


FIG. 3

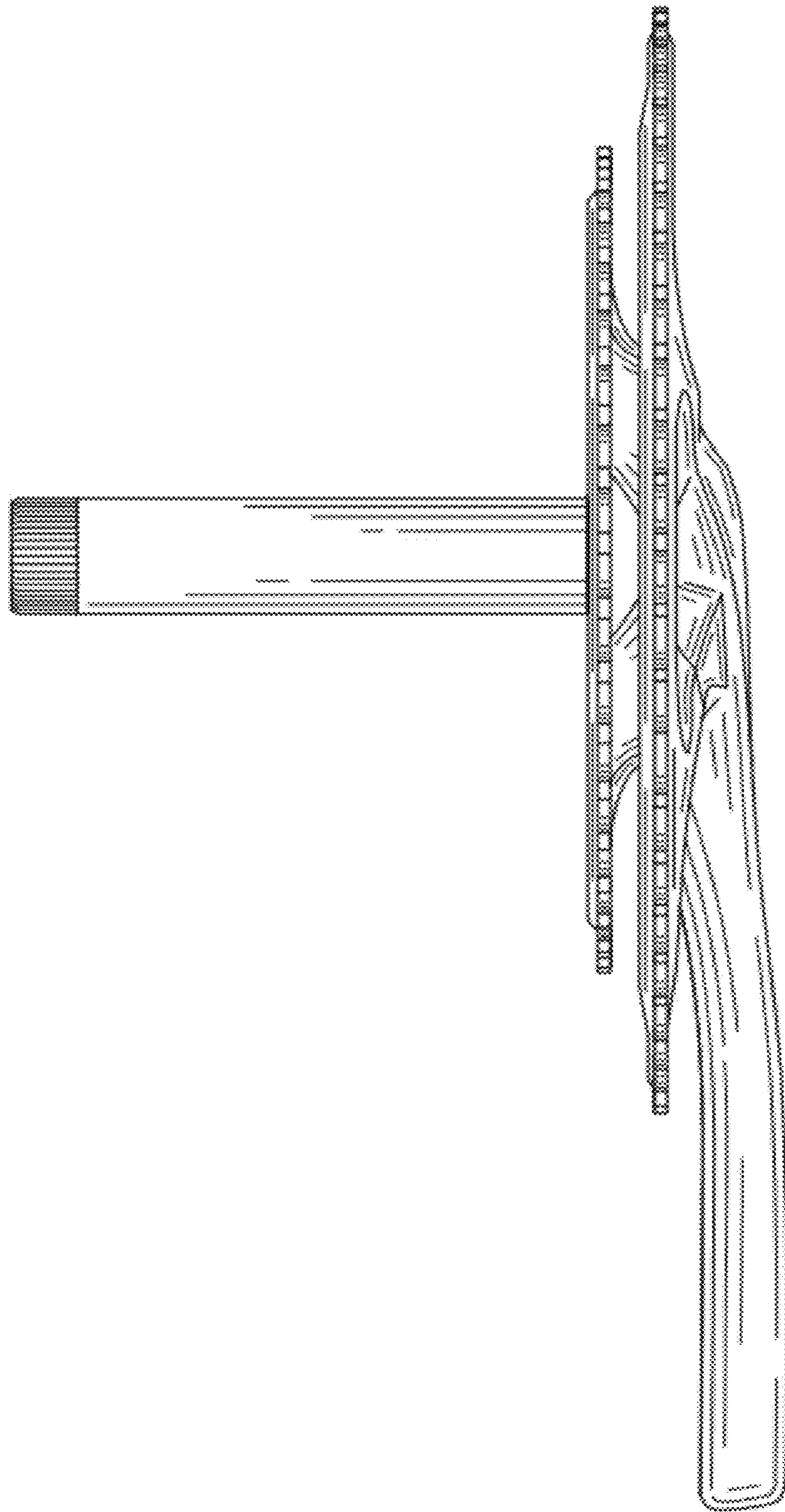


FIG. 4

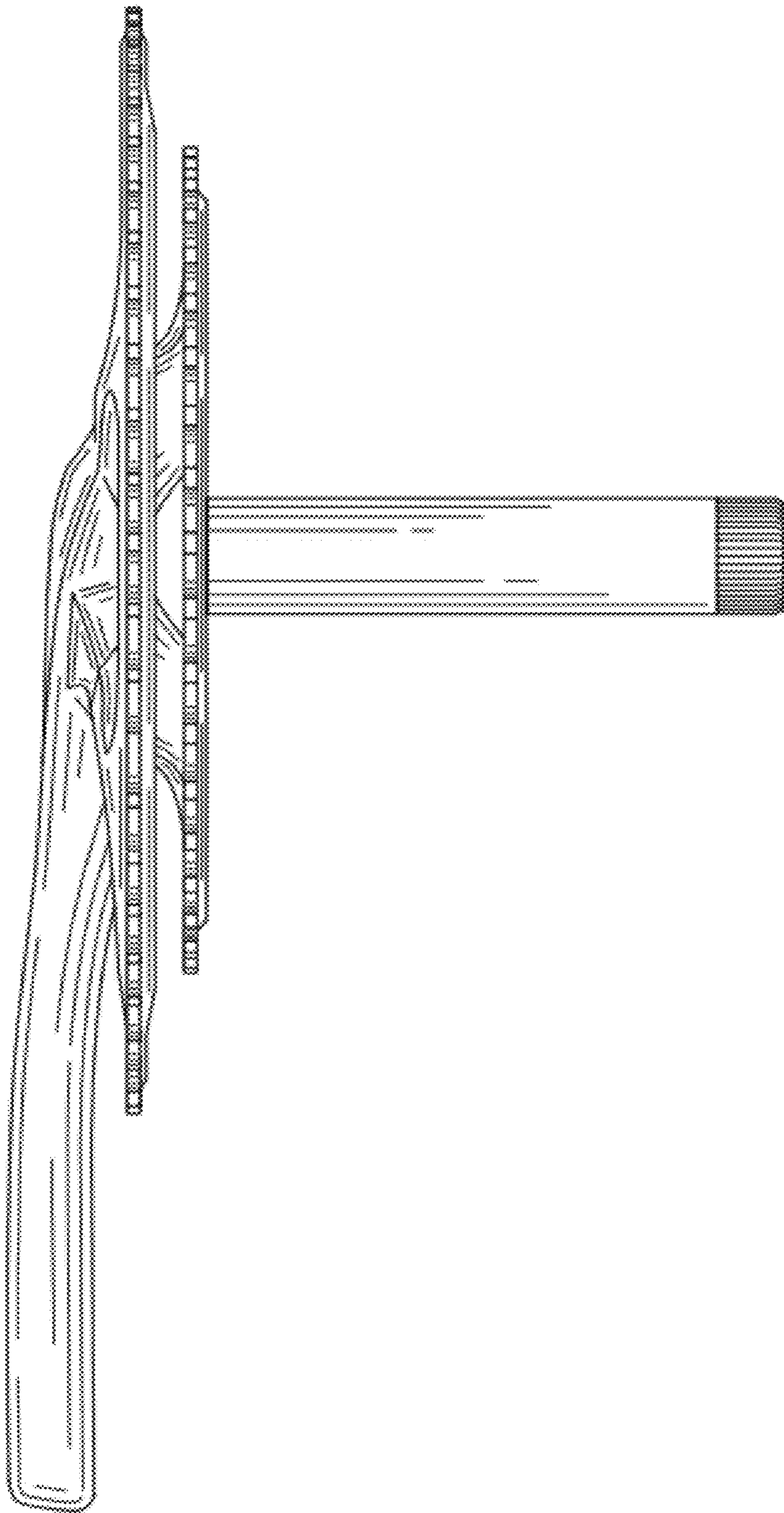


FIG. 5

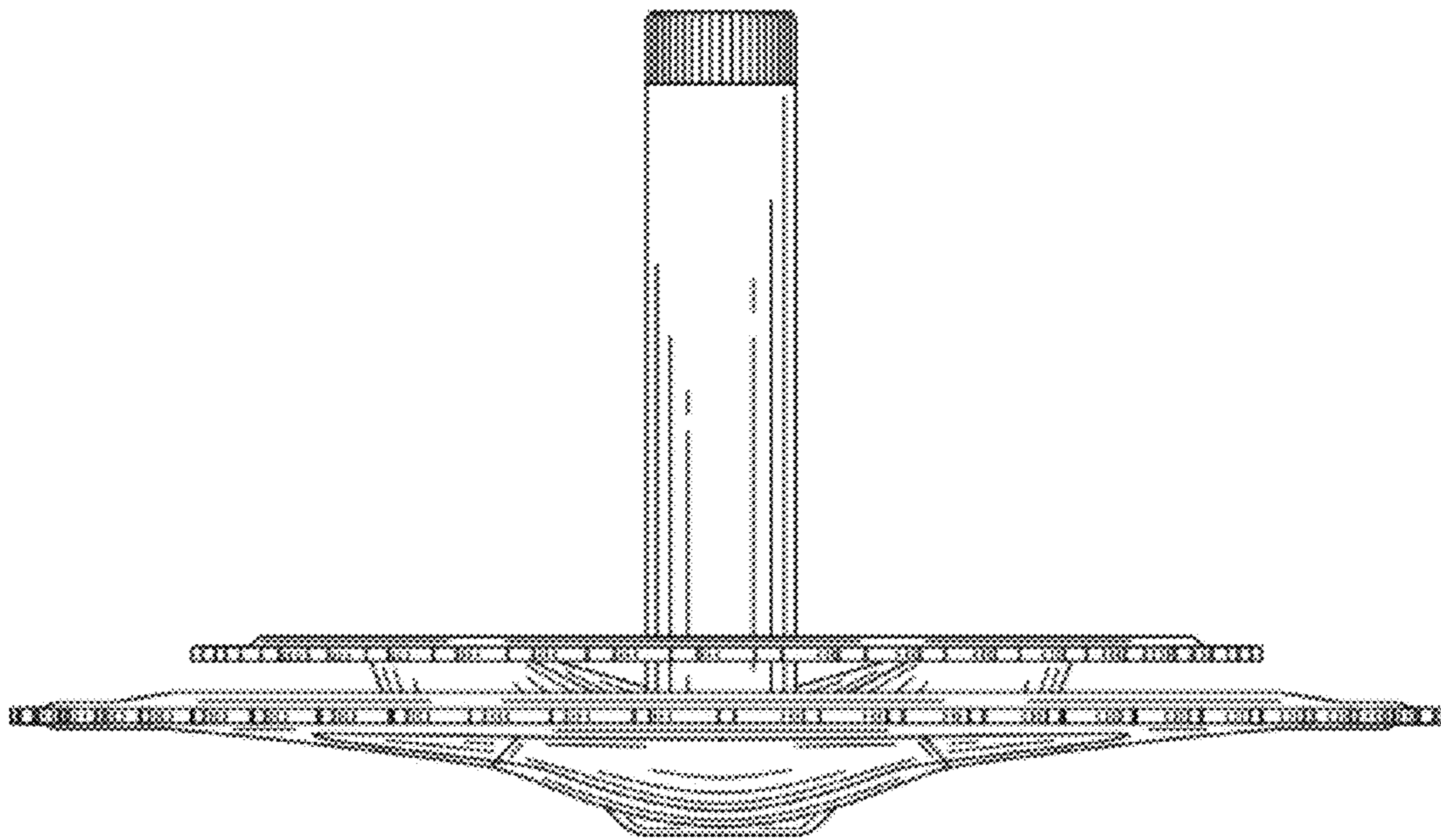


FIG. 6

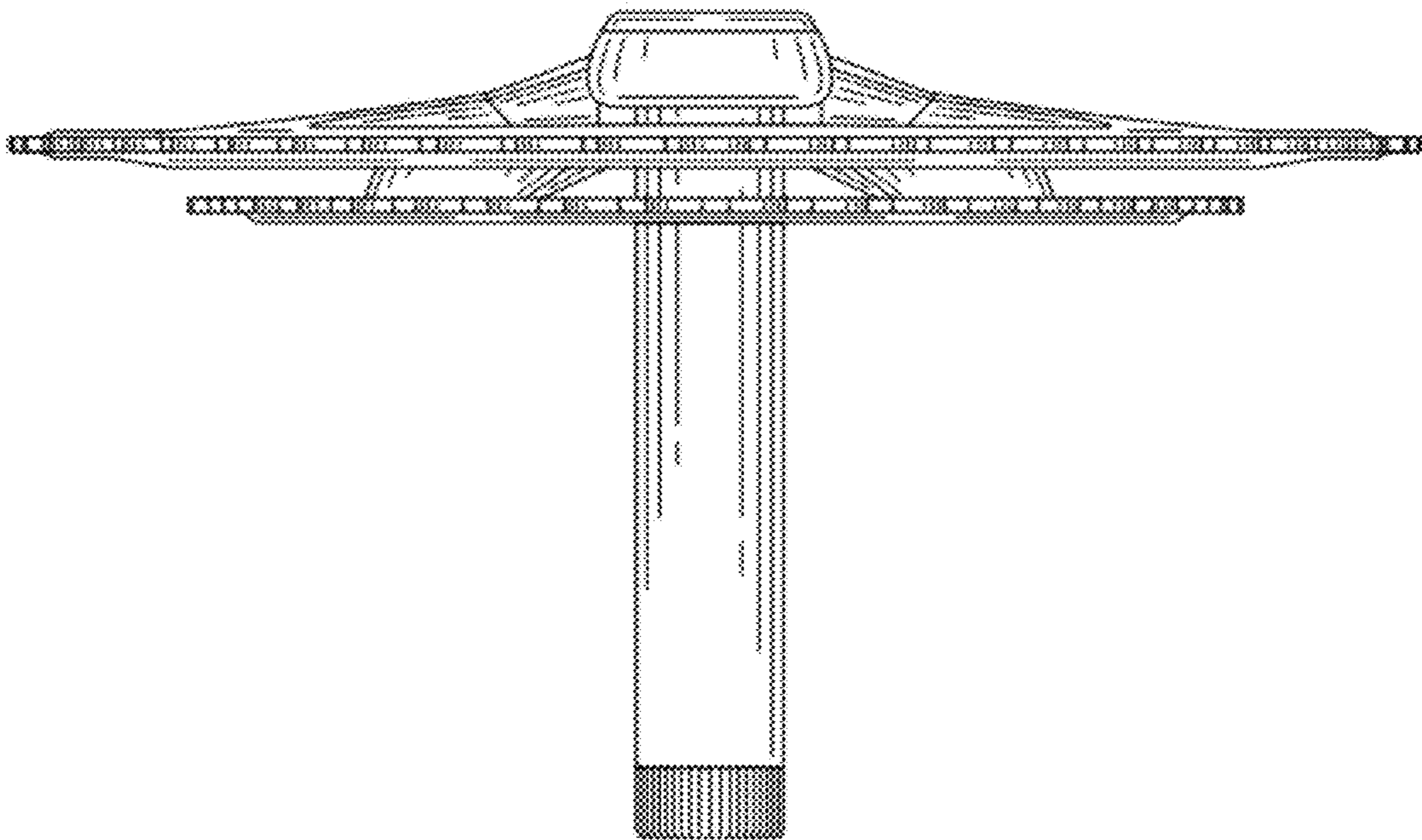


FIG. 7