



US00D675548S

(12) **United States Design Patent**
Levelle

(10) **Patent No.:** **US D675,548 S**

(45) **Date of Patent:** **** Feb. 5, 2013**

(54) **FOOT PEG**

(76) Inventor: **William Levelle**, Los Angeles, CA (US)

(**) Term: **14 Years**

(21) Appl. No.: **29/399,381**

(22) Filed: **Aug. 12, 2011**

(51) **LOC (9) Cl.** **12-11**

(52) **U.S. Cl.** **D12/114**

(58) **Field of Classification Search** D12/114,
D12/125, 110; 180/219, 220, 90.6; 288/288.4,
288/291; 296/75; 74/564, 594.4-594.7

See application file for complete search history.

(56) **References Cited**

U.S. PATENT DOCUMENTS

D225,160 S * 11/1972 Thomas D12/203
D440,931 S * 4/2001 Knight et al. D12/203
D531,553 S * 11/2006 Welch D12/114

OTHER PUBLICATIONS

Chrome Billet Knuckle Footpegs Set for Harley Custom, p. 1 of 2. ©
2010 .[Retrieved on Aug. 1, 2012. Retrieved from the Internet <URL:

<http://debrix.com/BILLET-Knuckle-Footpegs-Harley-Custom-p/27-0621-vt.htm>.*

* cited by examiner

Primary Examiner — Susan M Lee

Assistant Examiner — Linda G. Brooks

(74) *Attorney, Agent, or Firm* — Sinorica, LLC

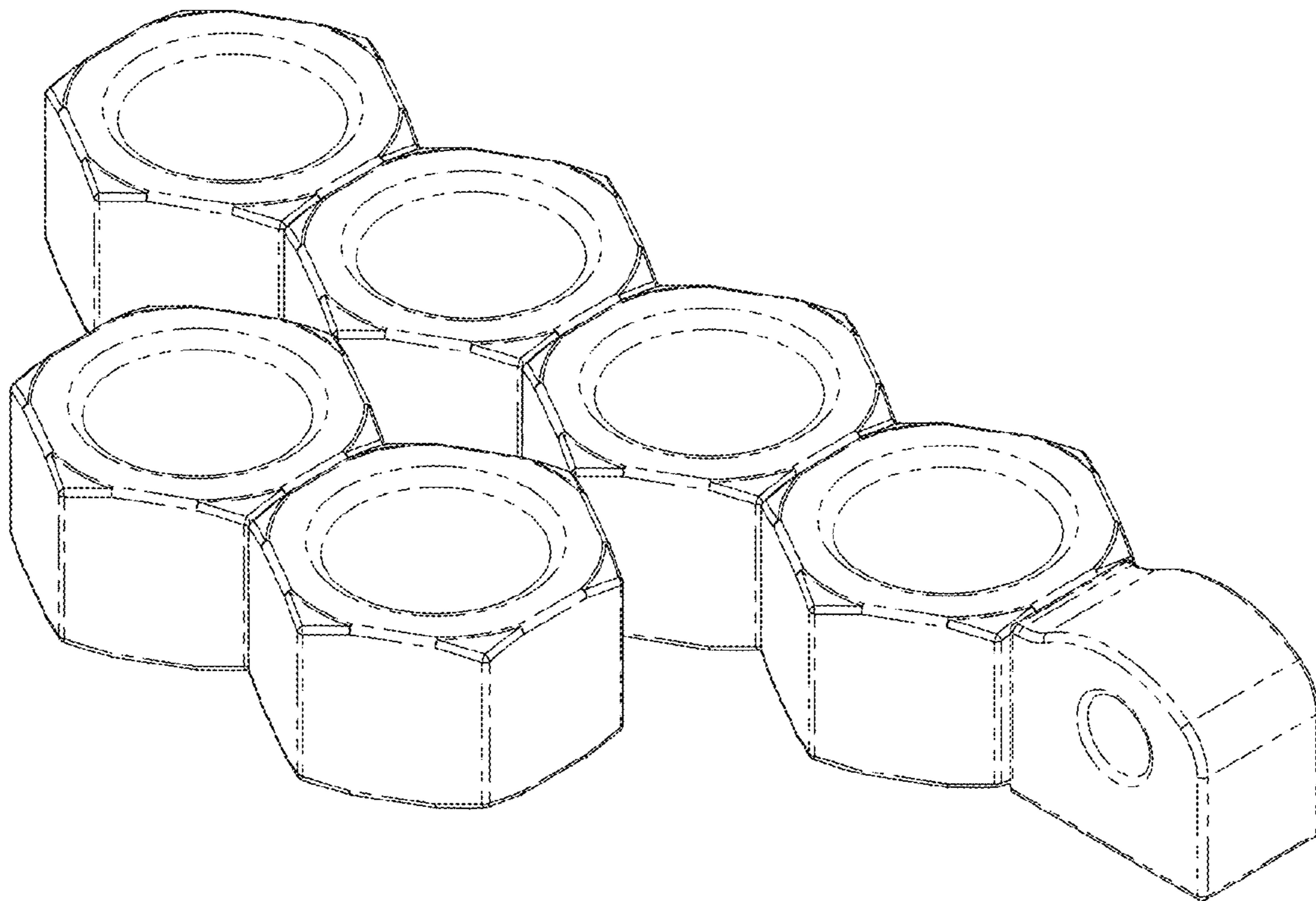
(57) **CLAIM**

The ornamental design for a foot peg, as shown and described.

DESCRIPTION

FIG. 1 is a perspective view of a foot peg;
FIG. 2 is a front elevational view thereof;
FIG. 3 is a rear elevational view thereof;
FIG. 4 is a right-side elevational view thereof;
FIG. 5 is a left-side elevational view thereof;
FIG. 6 is a bottom plan view thereof; and,
FIG. 7 is a top plan view thereof.

1 Claim, 5 Drawing Sheets



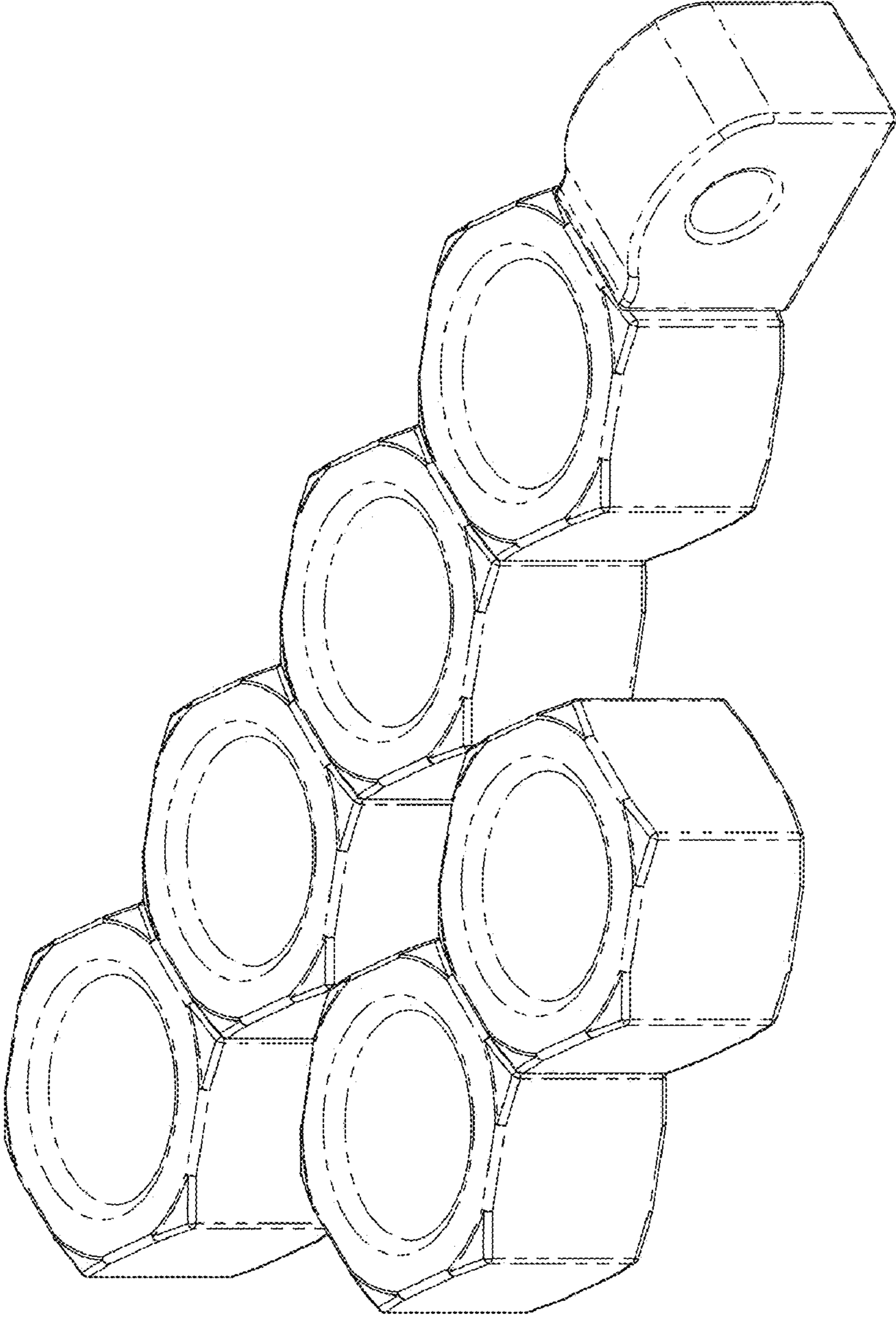


FIG. 1

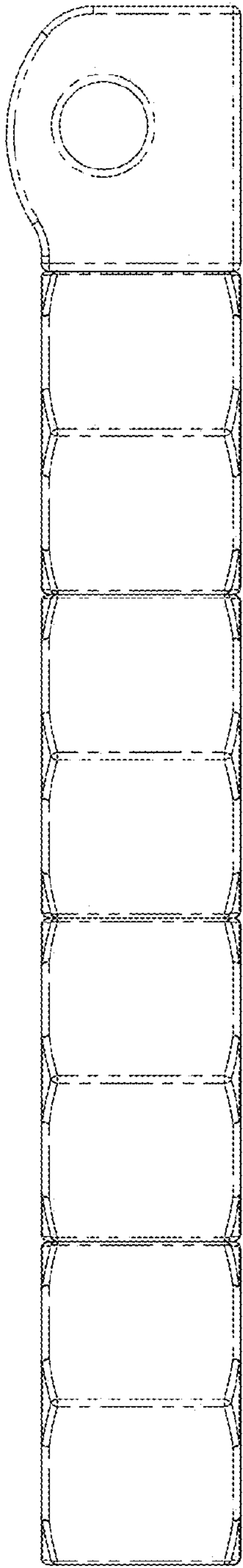


FIG. 2

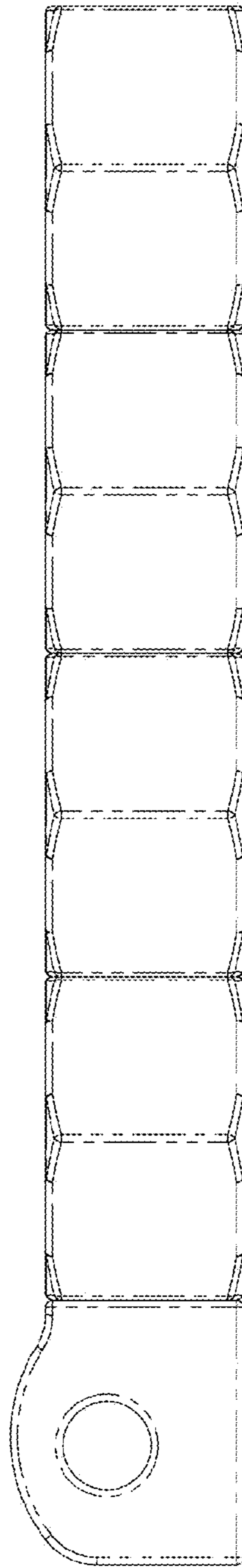


FIG. 3

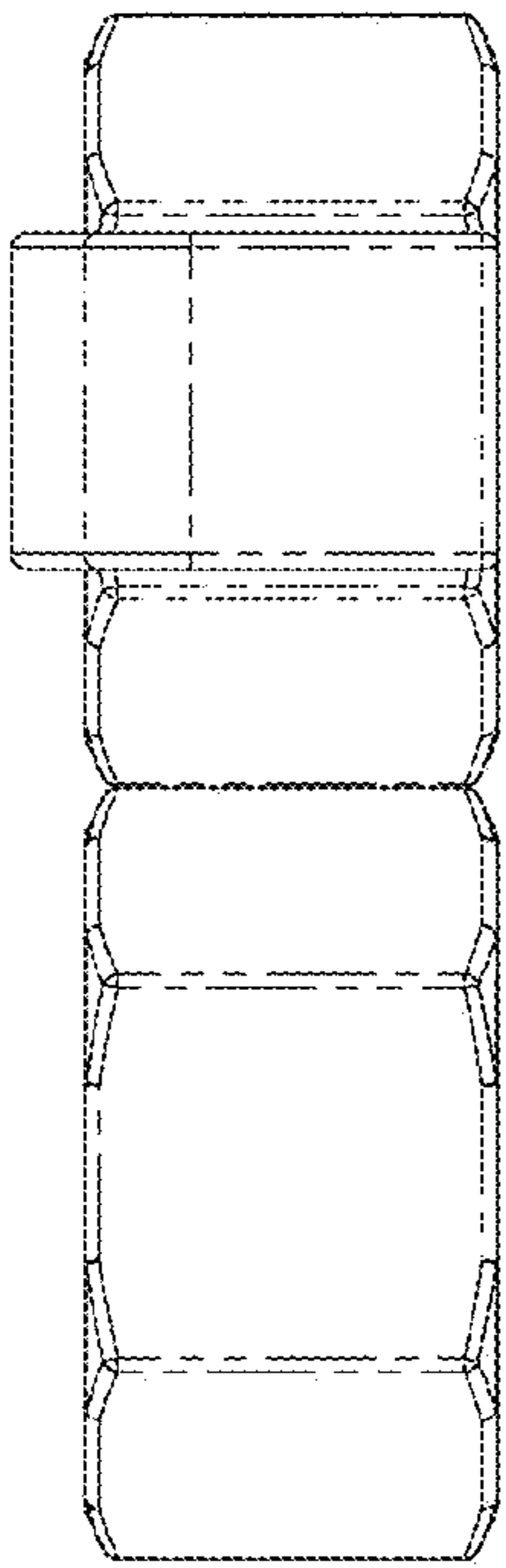


FIG. 4

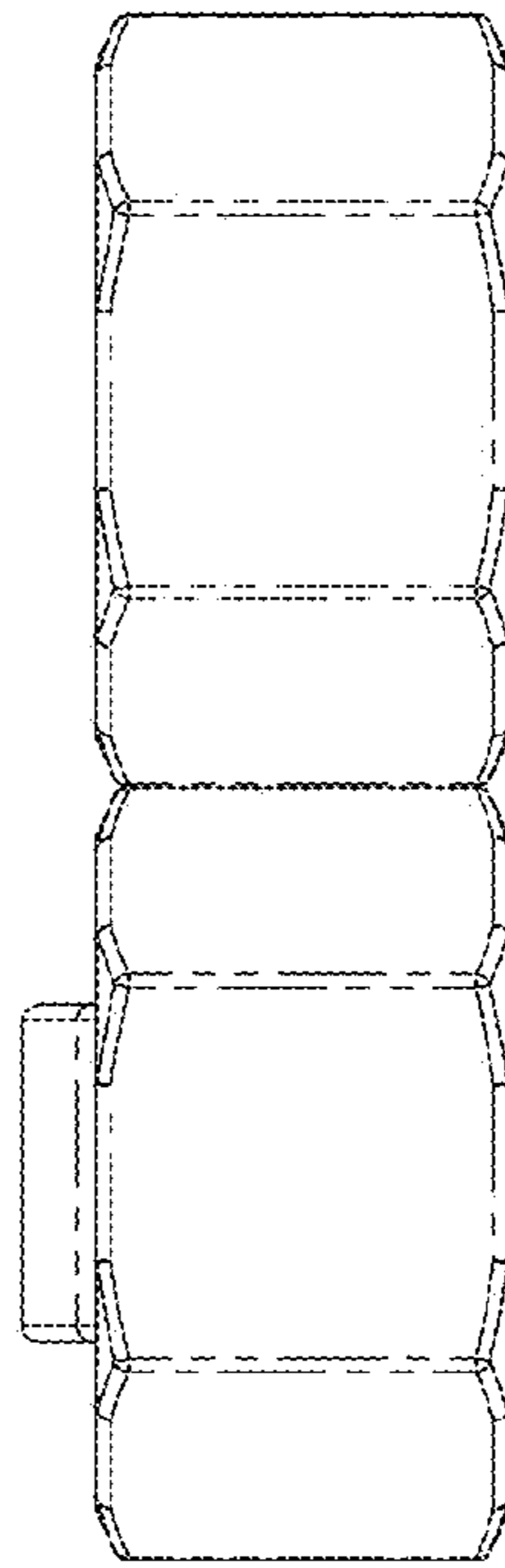


FIG. 5

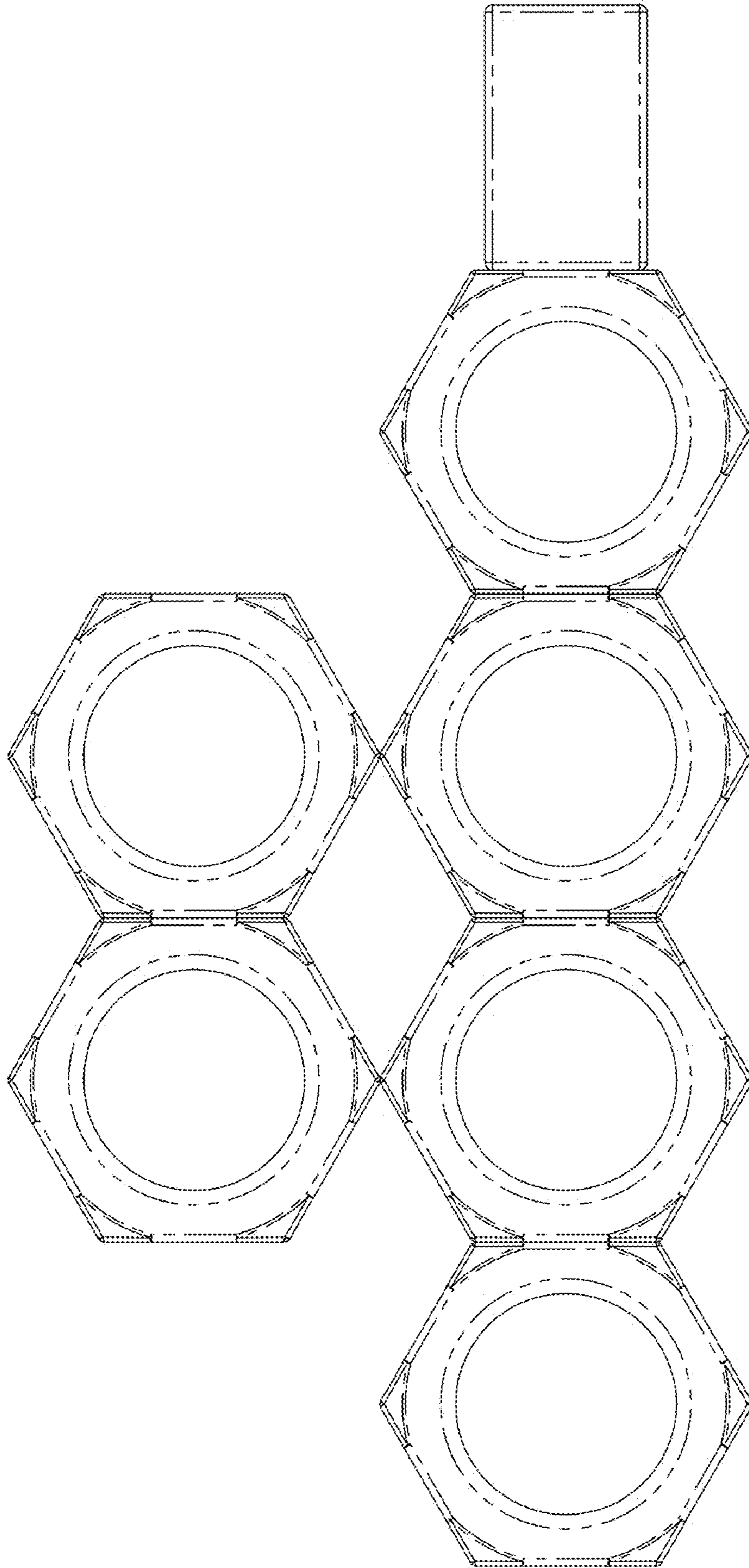


FIG. 6

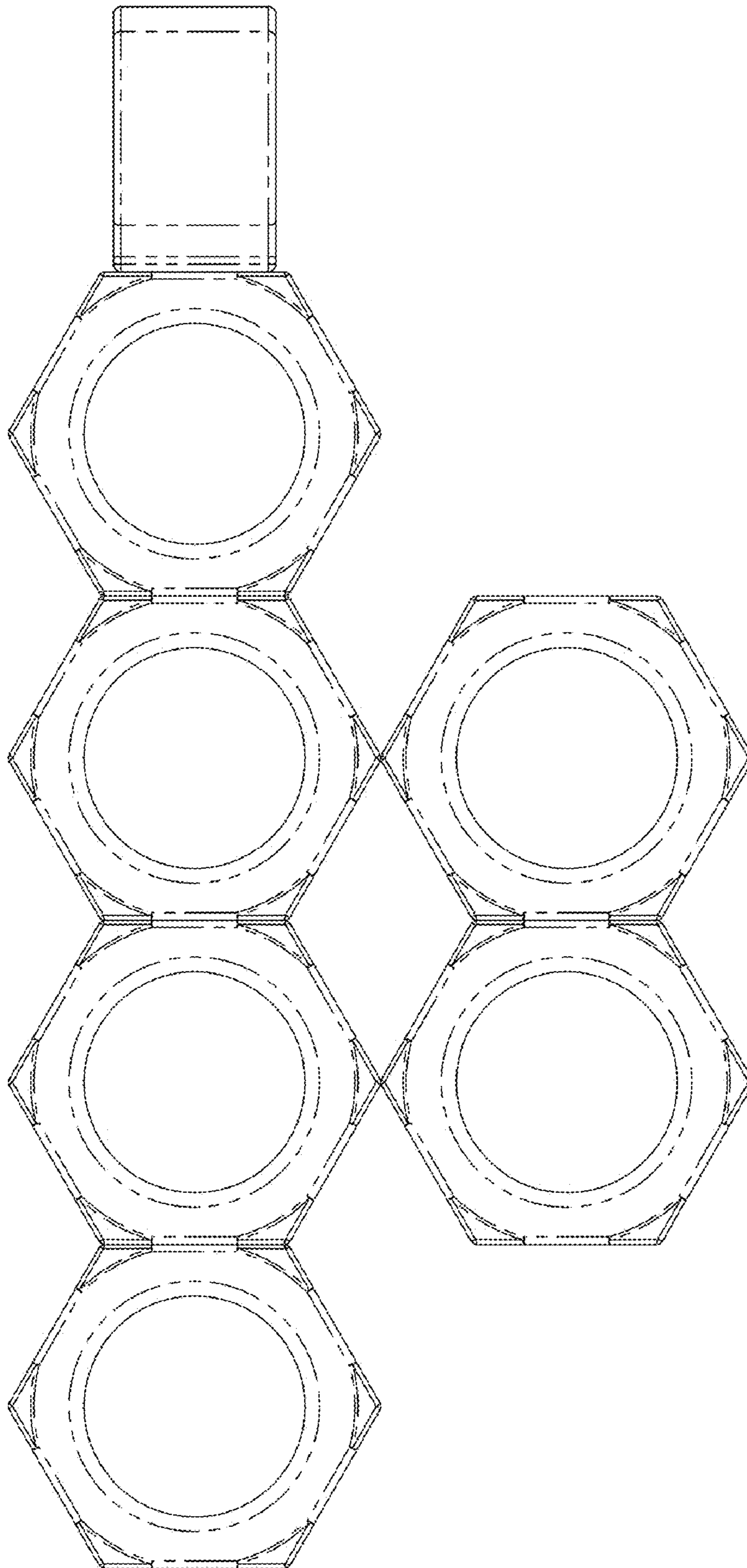


FIG. 7